



US00D576813S

(12) **United States Design Patent**
Baldanzi et al.

(10) **Patent No.:** **US D576,813 S**

(45) **Date of Patent:** **** Sep. 16, 2008**

(54) **OFFICE CHAIR**

(75) Inventors: **Adriano Baldanzi**, Ponsacco (IT);
Alessandro Novelli, Ponsacco (IT)

(73) Assignee: **IVARS S.p.A.**, Vestone (Brescia) (IT)

(**) Term: **14 Years**

(21) Appl. No.: **29/304,005**

(22) Filed: **Feb. 22, 2008**

(51) **LOC (8) Cl.** **06-01**

(52) **U.S. Cl.** **D6/366**

(58) **Field of Classification Search** D6/334-336,
D6/364, 365, 366, 367, 369, 379, 380, 498,
D6/500-502; 297/284.4, 300.2, 391, 393,
297/396, 411.27, 452.13, 452.21, 452.29,
297/452.3, 452.35, 452.46, 452.56, 452.64
See application file for complete search history.

(56) **References Cited**

U.S. PATENT DOCUMENTS

D227,953 S *	7/1973	Prizlow	D6/366
D436,456 S *	1/2001	Neil	D6/366
D476,821 S *	7/2003	Koepke et al.	D6/366
D481,879 S *	11/2003	Su	D6/366
D486,656 S *	2/2004	Su	D6/366

D540,079 S *	4/2007	Bock	D6/502
D541,062 S *	4/2007	Su	D6/366
D541,063 S *	4/2007	Su	D6/366
D545,582 S *	7/2007	Wu	D6/366
D548,474 S *	8/2007	Fancelli	D6/366
D550,976 S *	9/2007	Bellini et al.	D6/366
D557,915 S *	12/2007	Ong	D6/366
2005/0062323 A1 *	3/2005	Dicks	297/284.4

* cited by examiner

Primary Examiner—Mimosa De

(74) *Attorney, Agent, or Firm*—McGlew & Tuttle, P.C.

(57) **CLAIM**

The ornamental design of the office chair, as shown and described.

DESCRIPTION

FIG. 1 is a perspective view of our new office chair;

FIG. 2 is a front elevation view thereof,

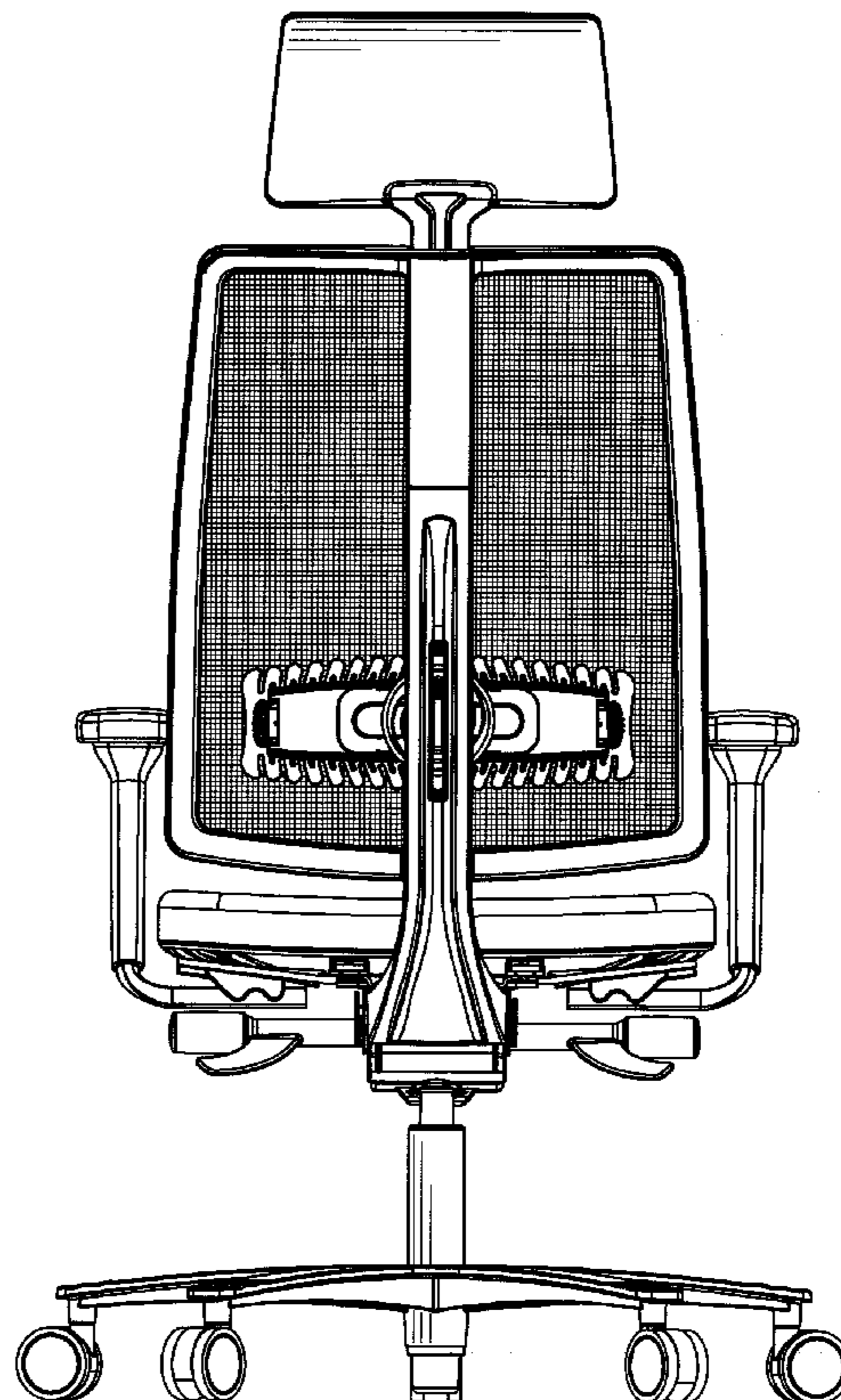
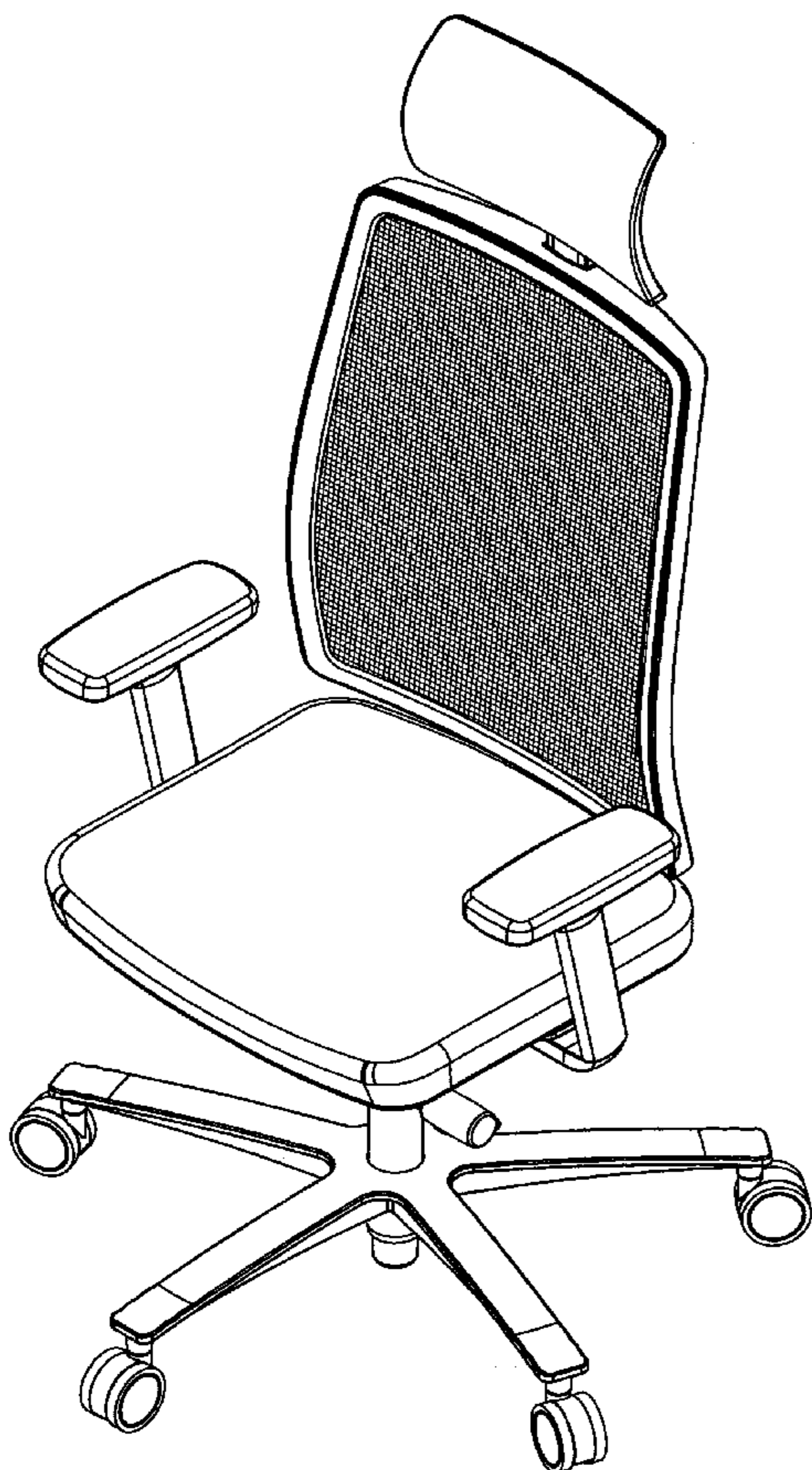
FIG. 3 is a rear elevation view thereof;

FIG. 4 is a top view thereof;

FIG. 5 is a bottom view thereof; and,

FIG. 6 is a side view thereof.

1 Claim, 5 Drawing Sheets



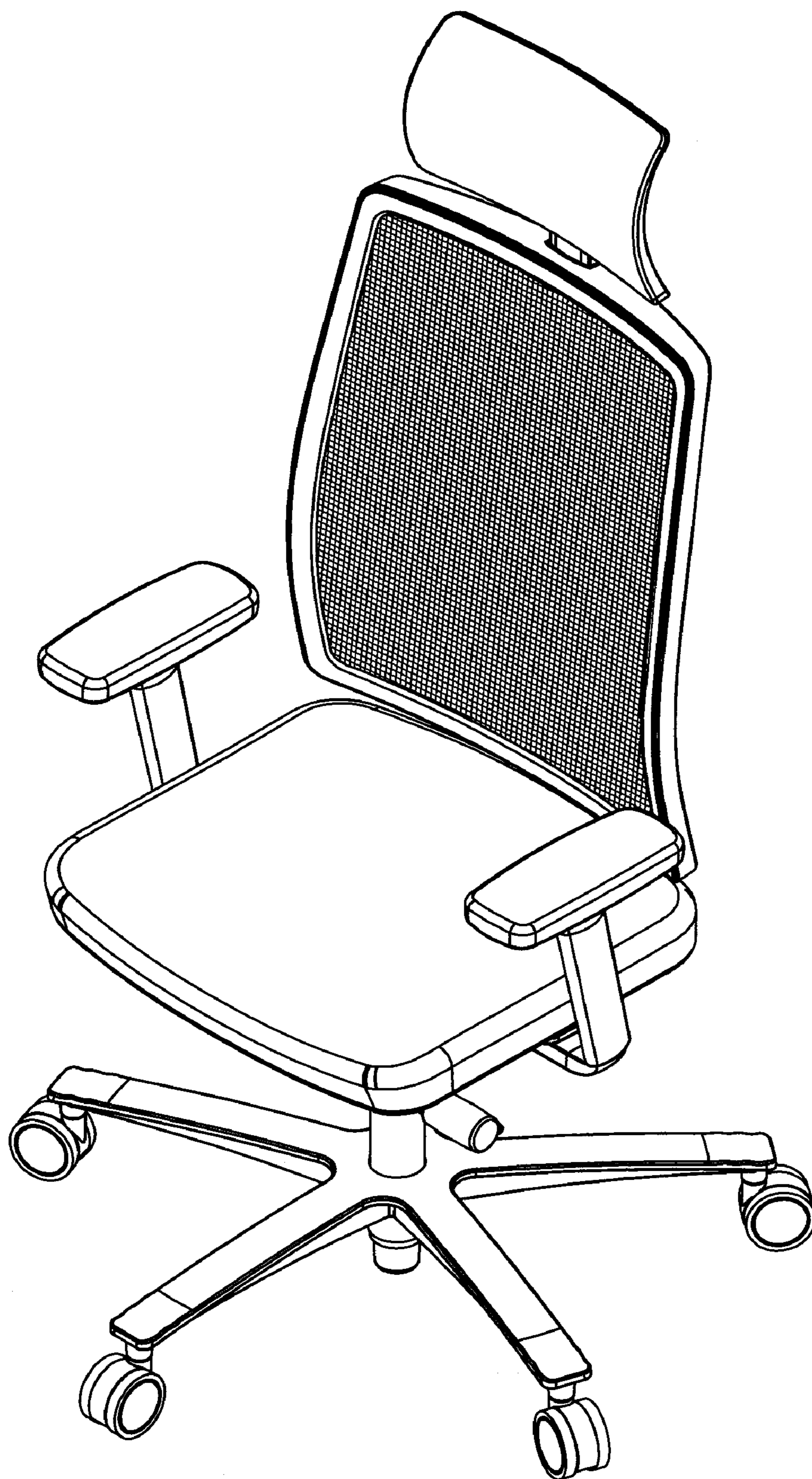


FIG. 1

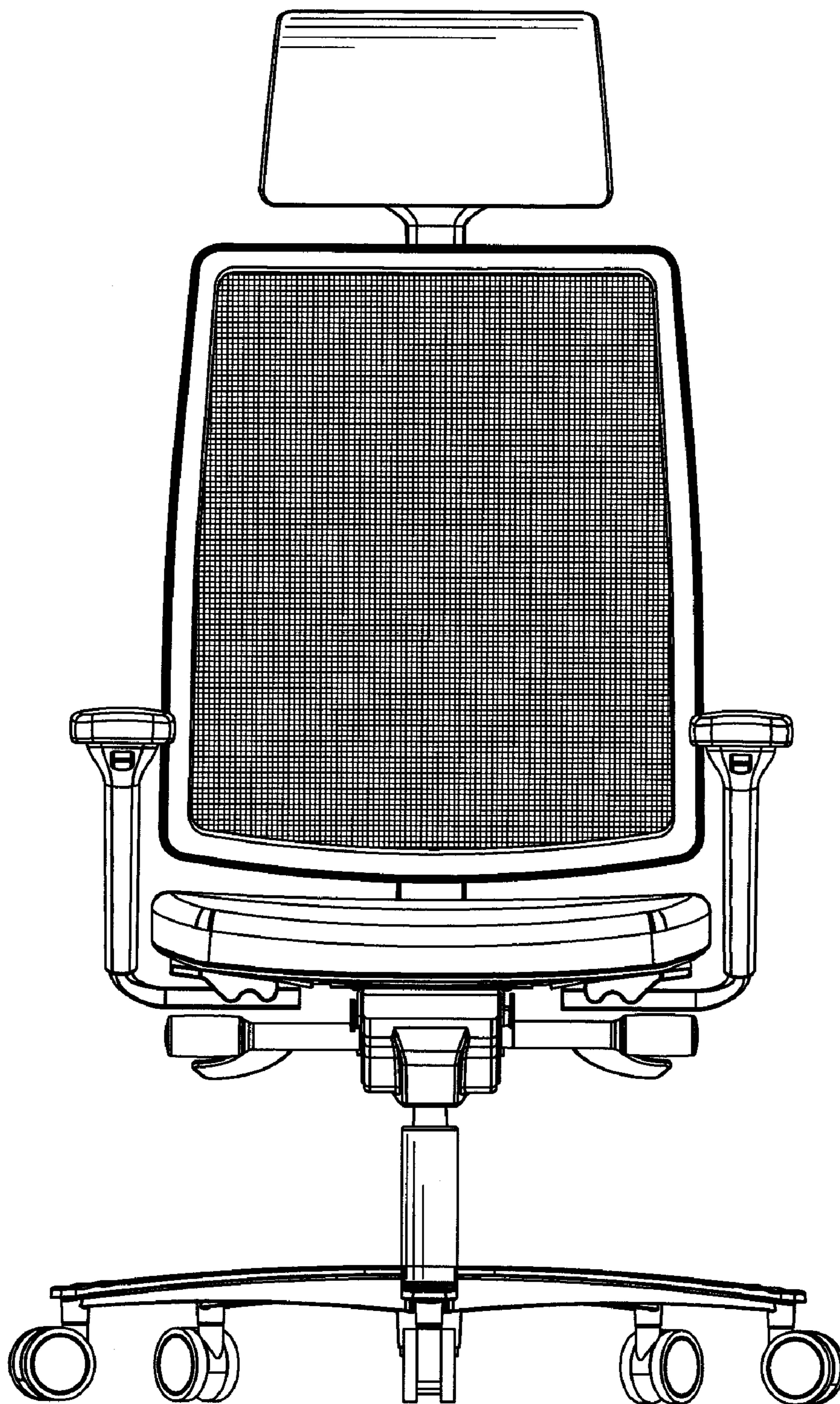


FIG. 2

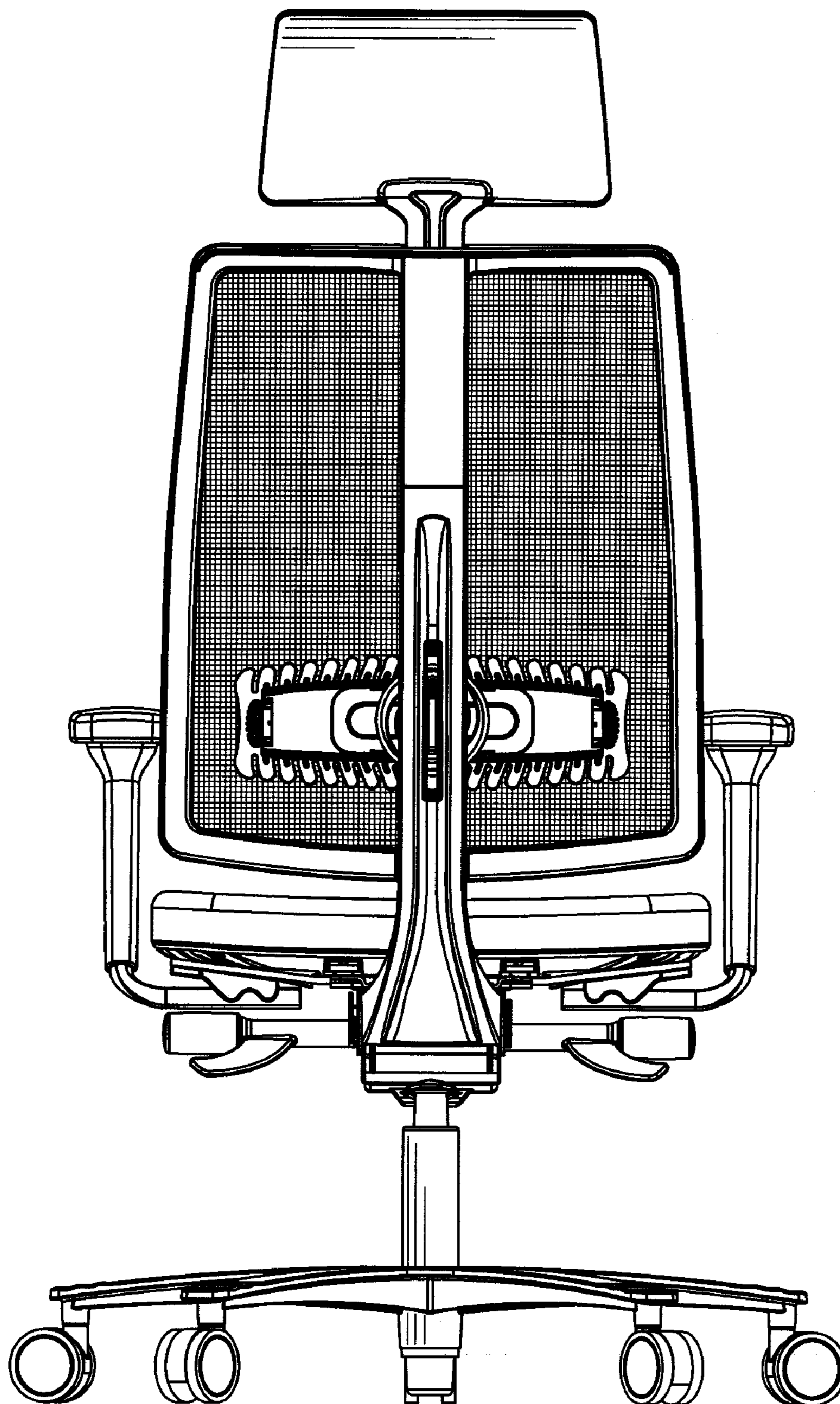


FIG. 3

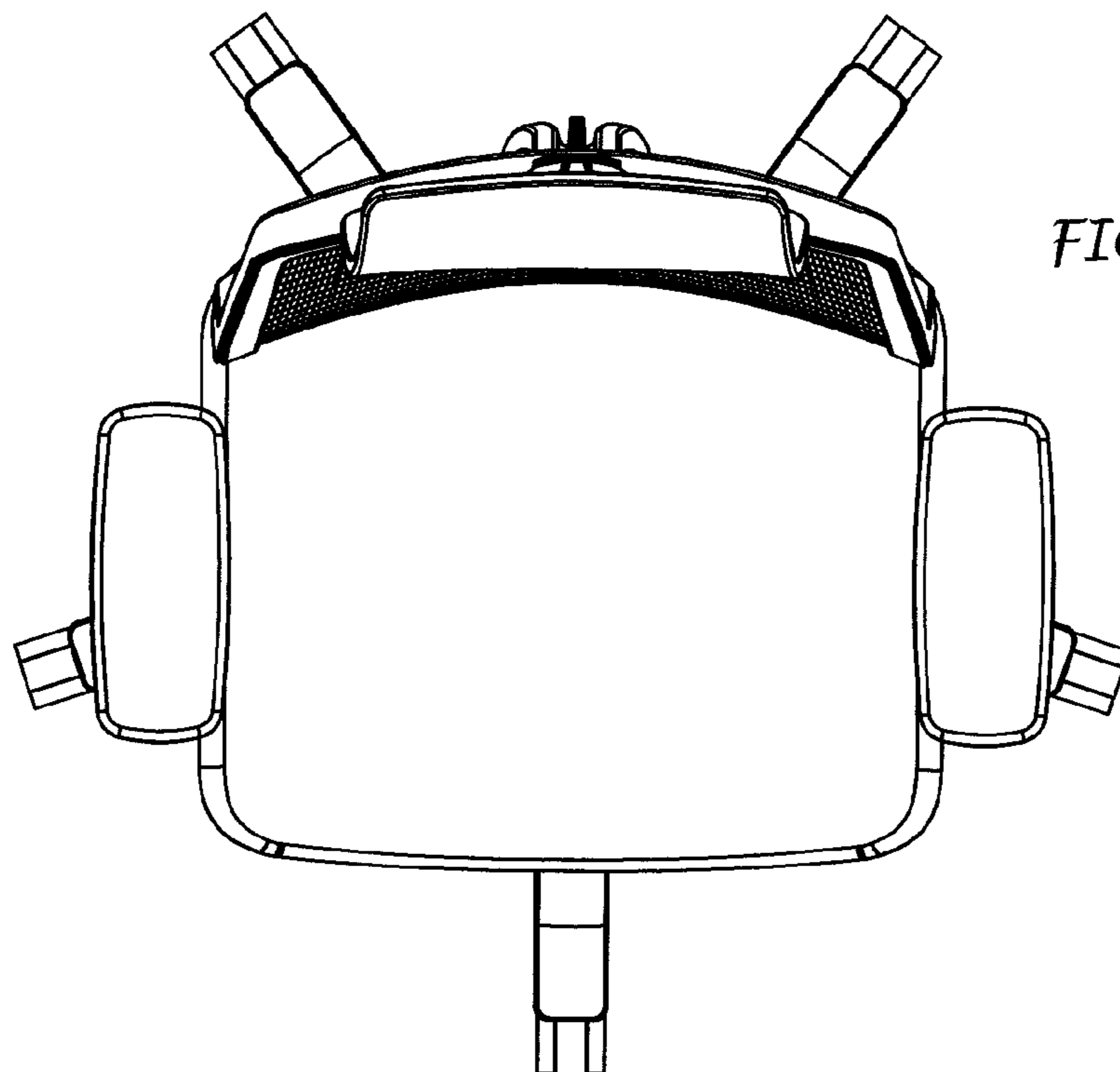


FIG. 4

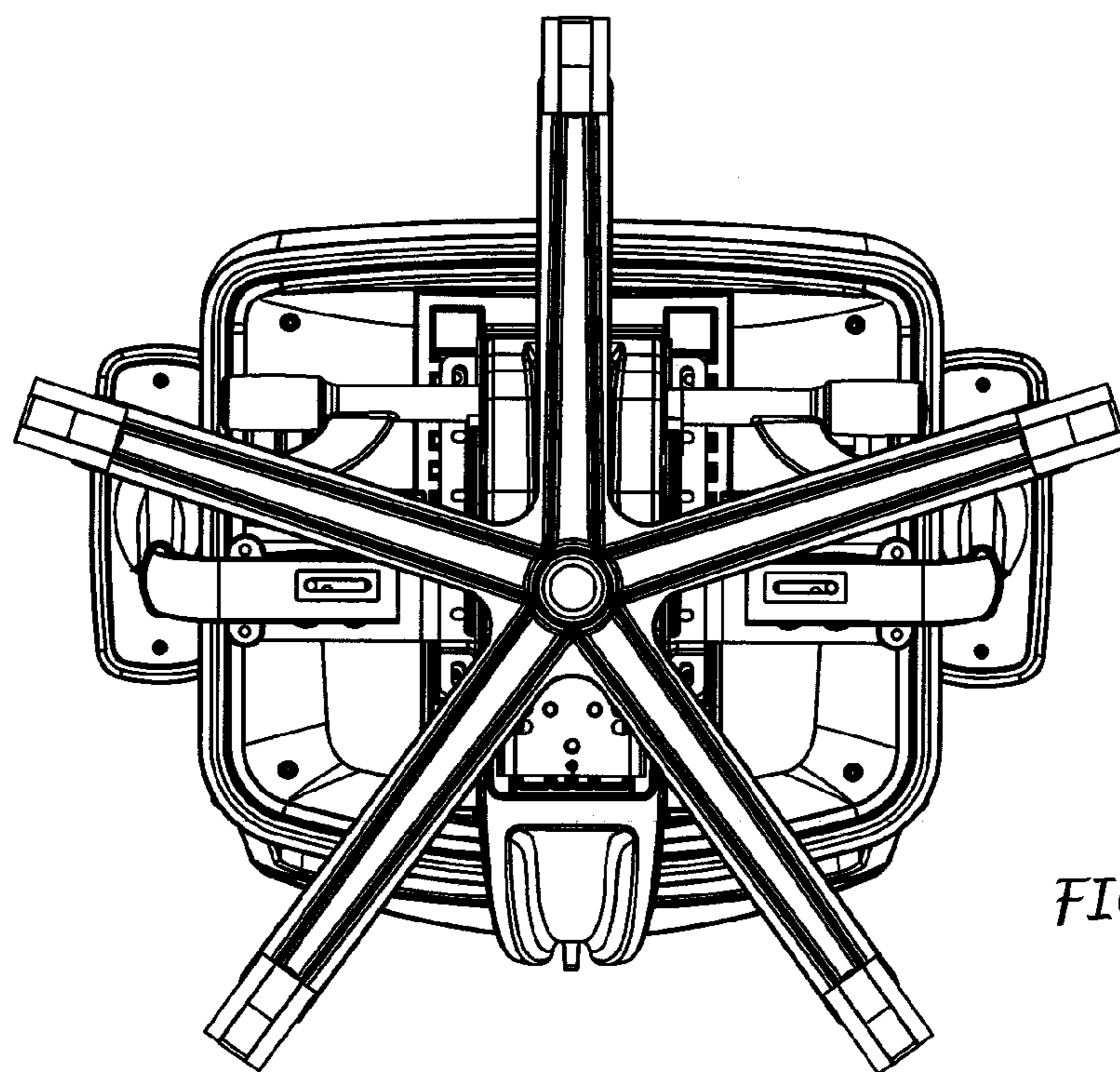


FIG. 5

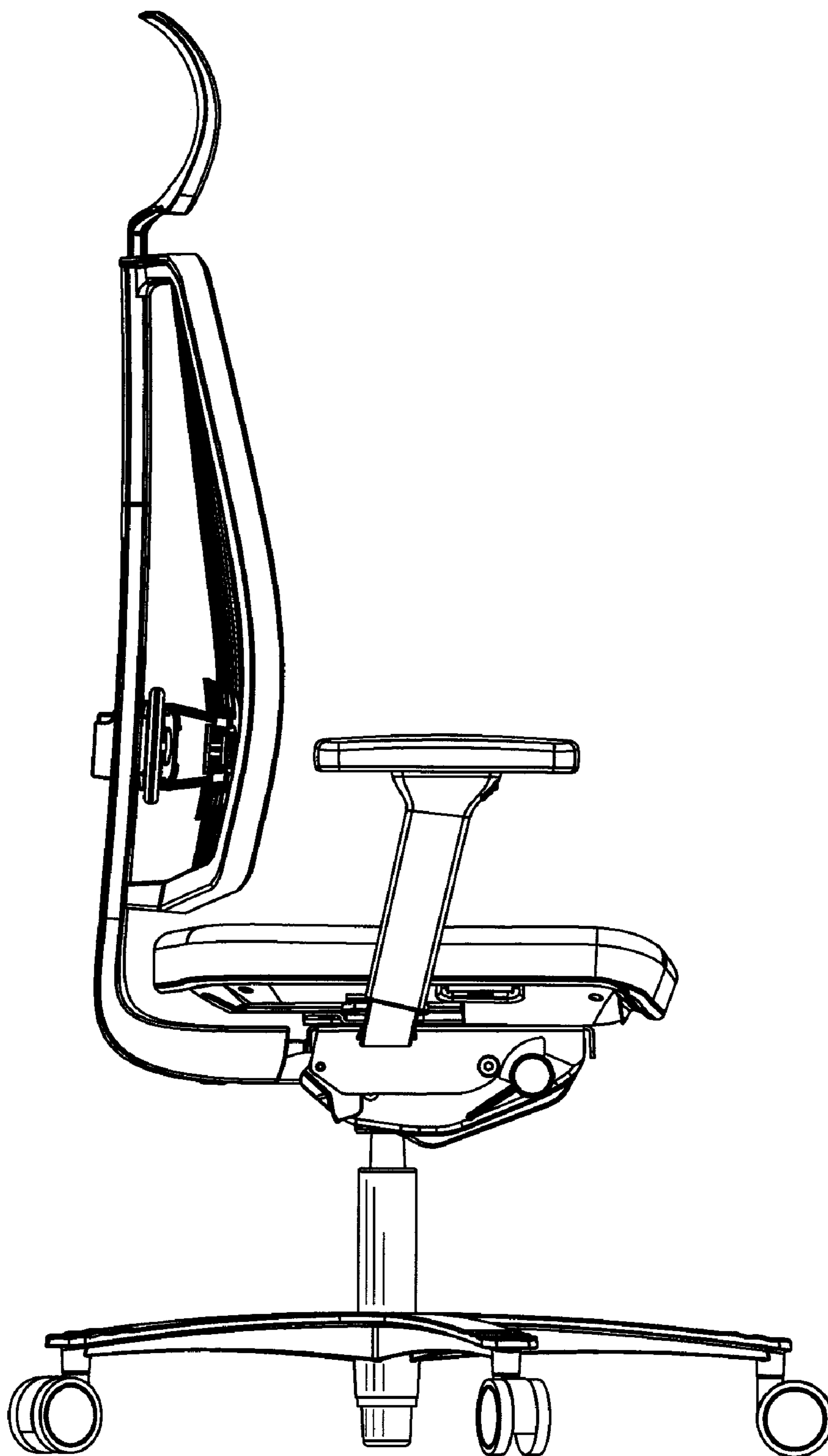


FIG. 6