

US00D576812S

(12) **United States Design Patent**
Van Severen

(10) **Patent No.:** **US D576,812 S**
(45) **Date of Patent:** **** Sep. 16, 2008**

- (54) **CHAIR**
- (75) Inventor: **Maarten Van Severen**, Gent (BE)
- (73) Assignee: **Vitra Patente AG**, MuttENZ (CH)
- (**) Term: **14 Years**
- (21) Appl. No.: **29/272,503**
- (22) Filed: **Feb. 9, 2007**
- (30) **Foreign Application Priority Data**
Aug. 11, 2006 (CH) 133096
- (51) **LOC (8) Cl.** **06-01**
- (52) **U.S. Cl.** **D6/366; D6/375**
- (58) **Field of Classification Search** D6/334-336,
D6/364, 365, 366, 374-376, 379, 380, 498,
D6/500-502, 371, 372, 373; 297/445.1,
297/446.1, 452.12, 452.19, 452.48, 411.28,
297/411.27
See application file for complete search history.

- (56) **References Cited**
U.S. PATENT DOCUMENTS
D80,604 S 3/1930 Chapman
D109,729 S * 5/1938 Powell D6/379
D141,211 S 3/1945 Knoll
D183,009 S 6/1958 MacKintosh
D192,216 S 2/1962 Weinberg
D245,952 S 10/1977 Luthy
D269,142 S 5/1983 Umanoff
D271,066 S 10/1983 Rowland
D292,655 S * 11/1987 Hendrick D6/366
D300,484 S 4/1989 Vignelli

(Continued)

- FOREIGN PATENT DOCUMENTS**
- CH 130 706 7/2004
- CH 131 114 12/2004
- CH 131 119 12/2004
- DM 045 521 10/1998

DM	053 188	9/2000
EP	000226352-0001	11/2004
EP	000320007-0001	6/2005

OTHER PUBLICATIONS

Notice of Allowance, dated Jan. 10, 2008, from U.S. Appl. No. 29/240,570.
Office Action, dated Oct. 19, 2007, for U.S. Appl. No. 29/240,570.
Office Action, dated Apr. 10, 2007, for U.S. Appl. No. 29/240,570.
Schoner Wohn (magazine), Jun. 2004, p. 3, received May 25, 2004.
Chair by Draenert.

* cited by examiner

Primary Examiner—Mimosa De
(74) *Attorney, Agent, or Firm*—McCarter & English, LLP

(57) **CLAIM**

The ornamental design for a chair, as shown and described.

DESCRIPTION

FIG. 1 is a front perspective view of a chair;
FIG. 2 shows a front elevational view of FIG. 1;
FIG. 3 shows a left side view of FIG. 1;
FIG. 4 shows a right side view of FIG. 1;
FIG. 5 shows a rear elevational view of FIG. 1;
FIG. 6 shows a top plan view of FIG. 1;
FIG. 7 shows a bottom plan view of FIG. 1;
FIG. 8 is a front perspective view of a chair which is essentially identical to the one shown in FIG. 1, except that it is provided with armrests;
FIG. 9 shows a front elevational view of FIG. 8;
FIG. 10 shows a left side view of FIG. 8;
FIG. 11 shows a right side view of FIG. 8;
FIG. 12 shows a rear elevational view of FIG. 8;
FIG. 13 shows a top plan view of FIG. 8; and,
FIG. 14 shows a bottom plan view of FIG. 8.

1 Claim, 14 Drawing Sheets



US D576,812 S

Page 2

U.S. PATENT DOCUMENTS

D301,662 S *	6/1989	Vonhausen	D6/366	D399,072 S	10/1998	Holbrook	
D308,310 S *	6/1990	Wilson	D6/502	D408,642 S	4/1999	Piretti	
D313,703 S *	1/1991	Moschini et al.	D6/366	D422,424 S	4/2000	Gehry et al.	
D339,940 S *	10/1993	Balderi et al.	D6/502	D449,459 S	10/2001	Diez Mintegi	
D343,964 S	2/1994	Gibbs		D465,100 S	11/2002	Savini	
D353,268 S *	12/1994	Ambasz	D6/366	D472,065 S *	3/2003	Tseng	D6/366
D355,303 S *	2/1995	Scheper et al.	D6/366	D474,040 S *	5/2003	Meda	D6/366
D371,914 S	7/1996	Beaulieu		D505,799 S *	6/2005	Huang	D6/366
D395,762 S *	7/1998	Saul	D6/366	D543,736 S *	6/2007	Shields	D6/500
D396,960 S	8/1998	Maly		D554,881 S	11/2007	Van Severen	
				D566,412 S	4/2008	Van Severen	



Fig. 1



Fig. 2



Fig. 3



Fig. 4



Fig. 5

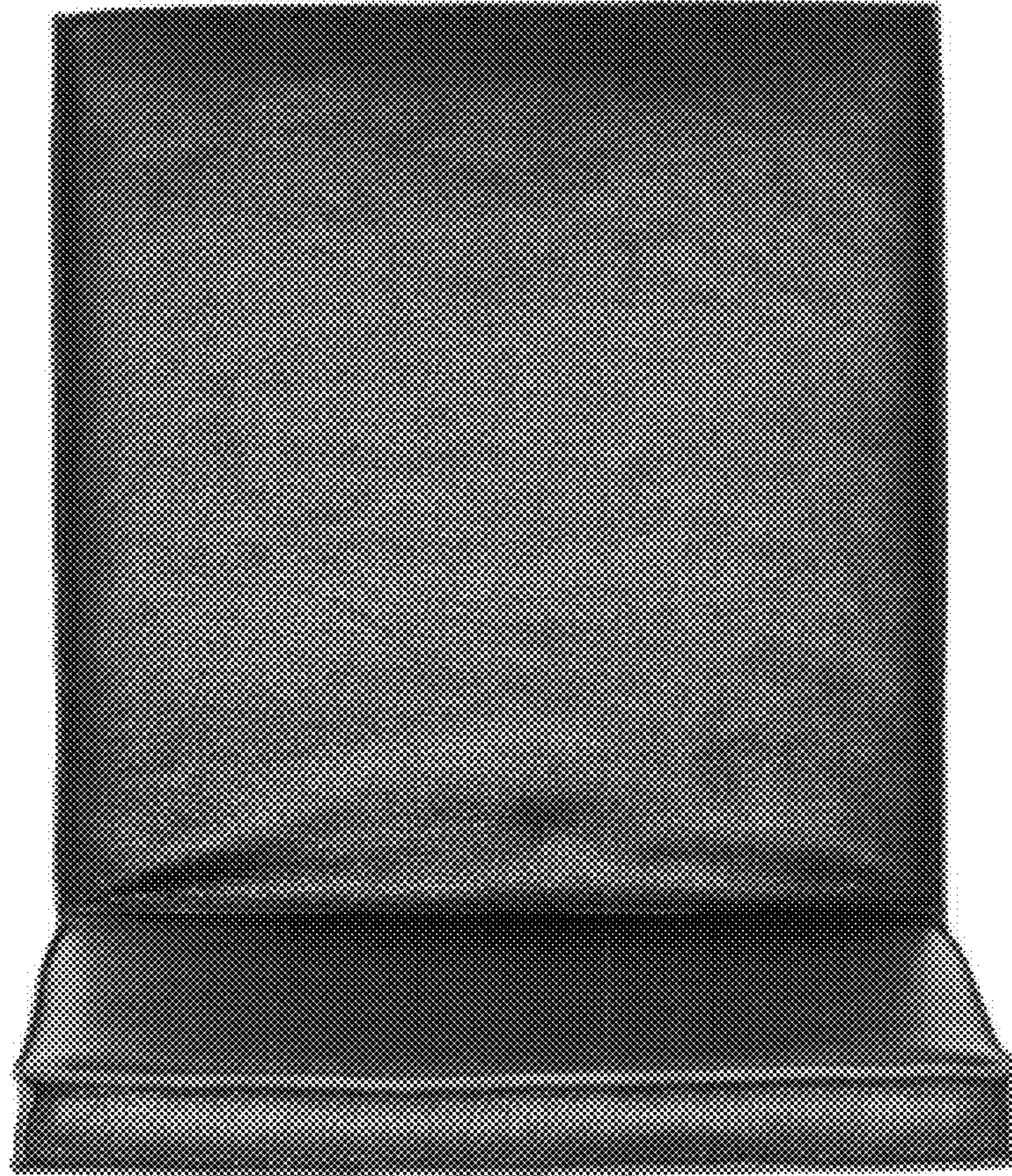


Fig. 6

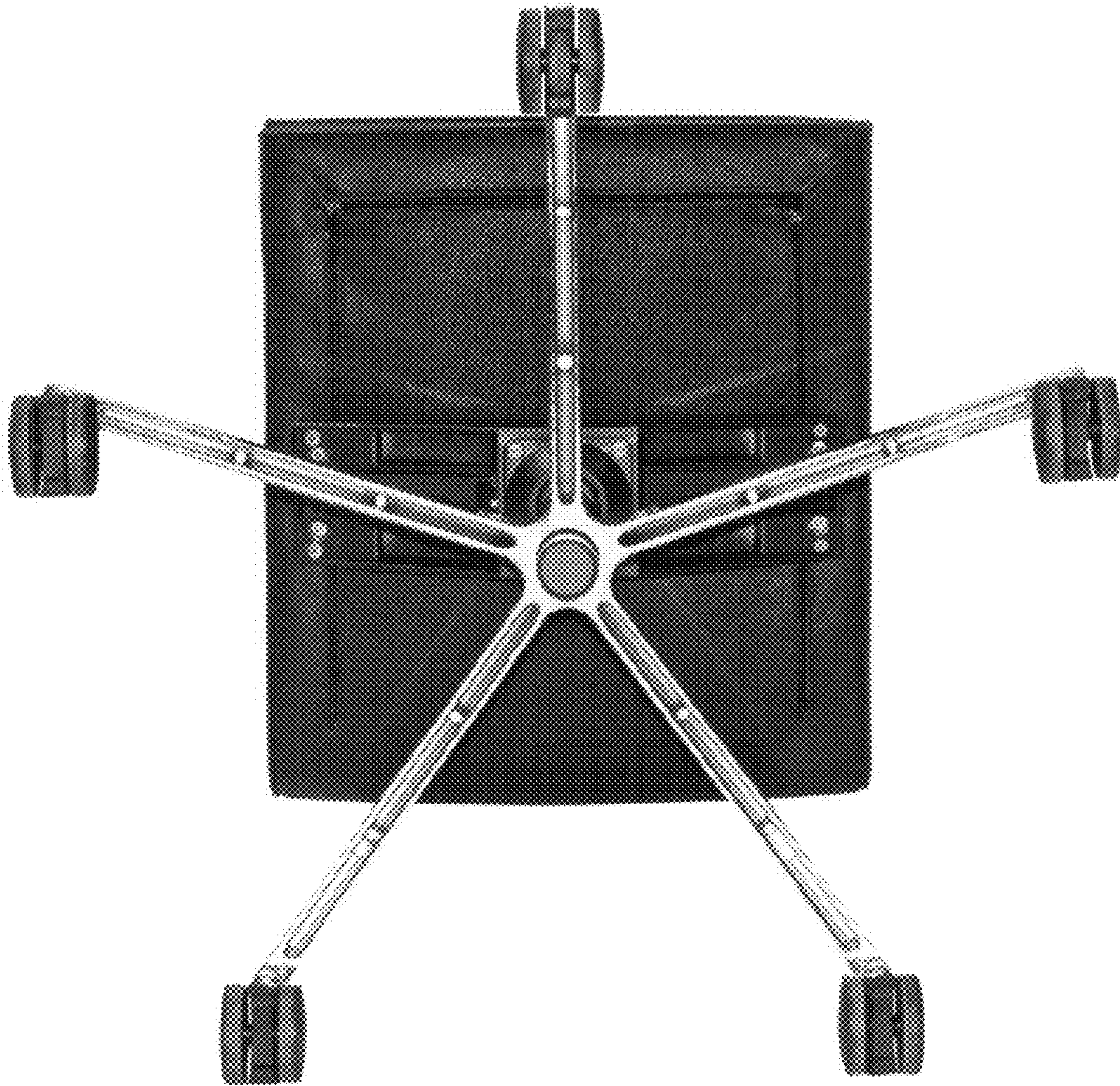


Fig. 7



Fig. 8



Fig. 9



Fig. 10



Fig. 11



Fig. 12



Fig. 13

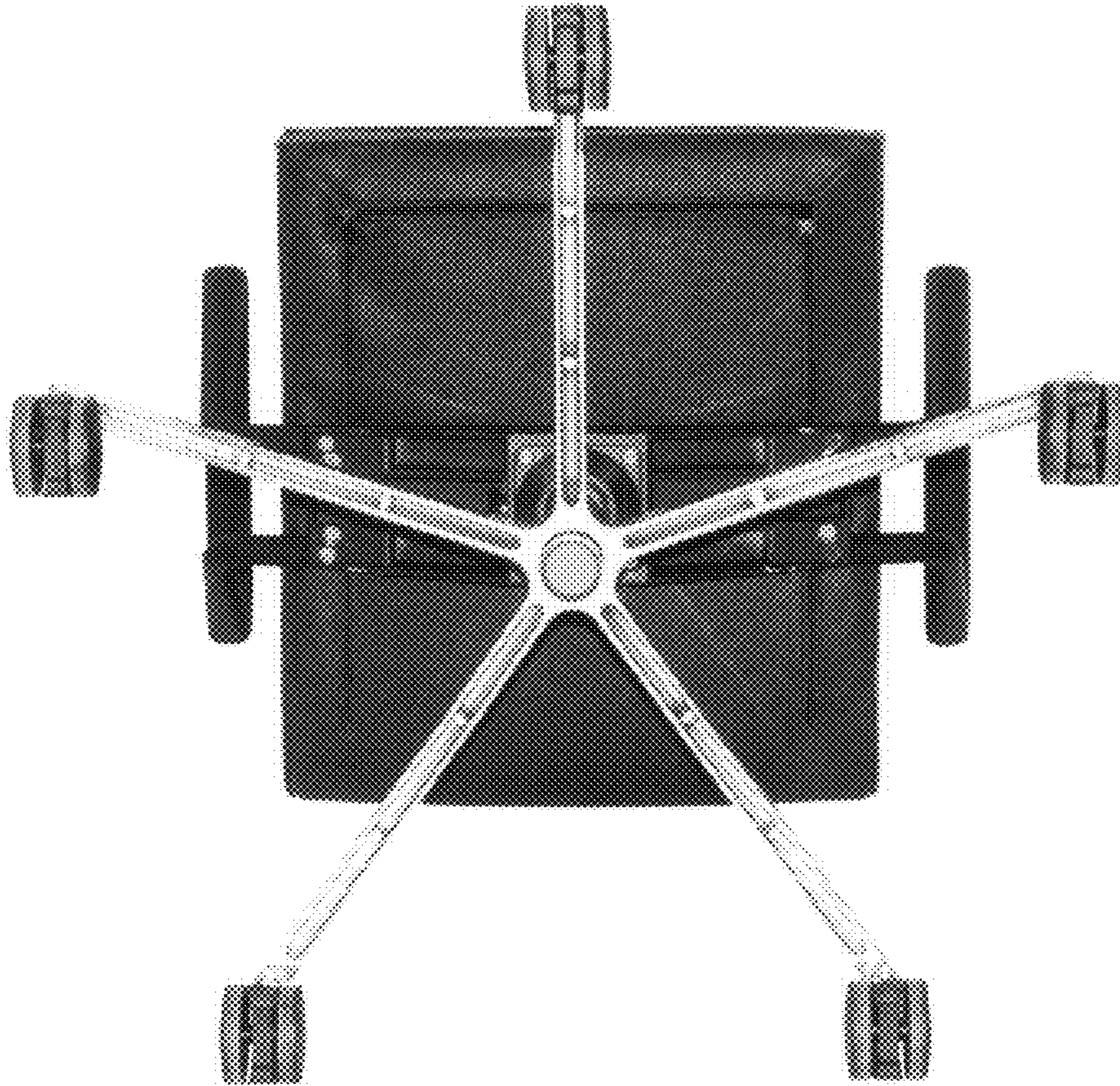


Fig. 14