



US00D576801S

(12) **United States Design Patent**  
**Dretzka**

(10) **Patent No.:** **US D576,801 S**  
(45) **Date of Patent:** **\*\* Sep. 16, 2008**

(54) **COMBINED TOILET BOWL BRUSH AND BASE**

KR 30-0338483 S \* 11/2003

**OTHER PUBLICATIONS**

(75) Inventor: **Philip C. Dretzka**, Mariemont, OH (US)

InterDesign, Inc. Product Brochure—2005, p. 30.

InterDesign, Inc. Product Brochure—2004, pp. 19, 26, 34.

(73) Assignee: **InterDesign, Inc.**, Solon, OH (US)

InterDesign, Inc. Product Brochure—2003, pp. 5, 6, 12, 22, 24, 26.

(\*\*) Term: **14 Years**

\* cited by examiner

(21) Appl. No.: **29/270,141**

*Primary Examiner*—Melanie Tung

*Assistant Examiner*—Lavone D Tabor

(22) Filed: **Dec. 15, 2006**

(74) *Attorney, Agent, or Firm*—D. Peter Hochberg; Sean F. Mellino; Daniel J. Smola

(51) **LOC (8) Cl.** ..... **04-01**

(57) **CLAIM**

(52) **U.S. Cl.** ..... **D4/116; D6/551**

The ornamental design for a combined toilet bowl brush and base, as shown and described.

(58) **Field of Classification Search** ..... D4/116,  
D4/121, 128, 138, 199; D6/524, 551; 206/209,  
206/209.1, 361, 362.2, 362.3, 15.2, 15.3;  
211/65; 248/110, 111; 312/206, 207  
See application file for complete search history.

**DESCRIPTION**

(56) **References Cited**

FIG. 1 is a perspective view of the toilet bowl brush and base according to the invention and showing the toilet bowl brush inside the base;

**U.S. PATENT DOCUMENTS**

FIG. 2 is a perspective view of the toilet bowl brush and base according to the invention and showing the toilet bowl brush outside the base;

- D315,989 S \* 4/1991 Levien ..... D4/137
- 5,772,015 A \* 6/1998 Musiel et al. .... 206/209
- D481,574 S 11/2003 Snell
- D483,590 S 12/2003 Dretzka
- D483,591 S 12/2003 Dretzka
- D484,723 S 1/2004 Snell
- D509,961 S \* 9/2005 Petersen-Rutten ..... D4/121
- D525,064 S \* 7/2006 Williams ..... D6/524
- D530,959 S 10/2006 Snell

FIG. 3 is a side view of the toilet bowl brush and base as shown in FIG. 1;

FIG. 4 is a side view of the toilet bowl brush and base as shown in FIG. 2; and,

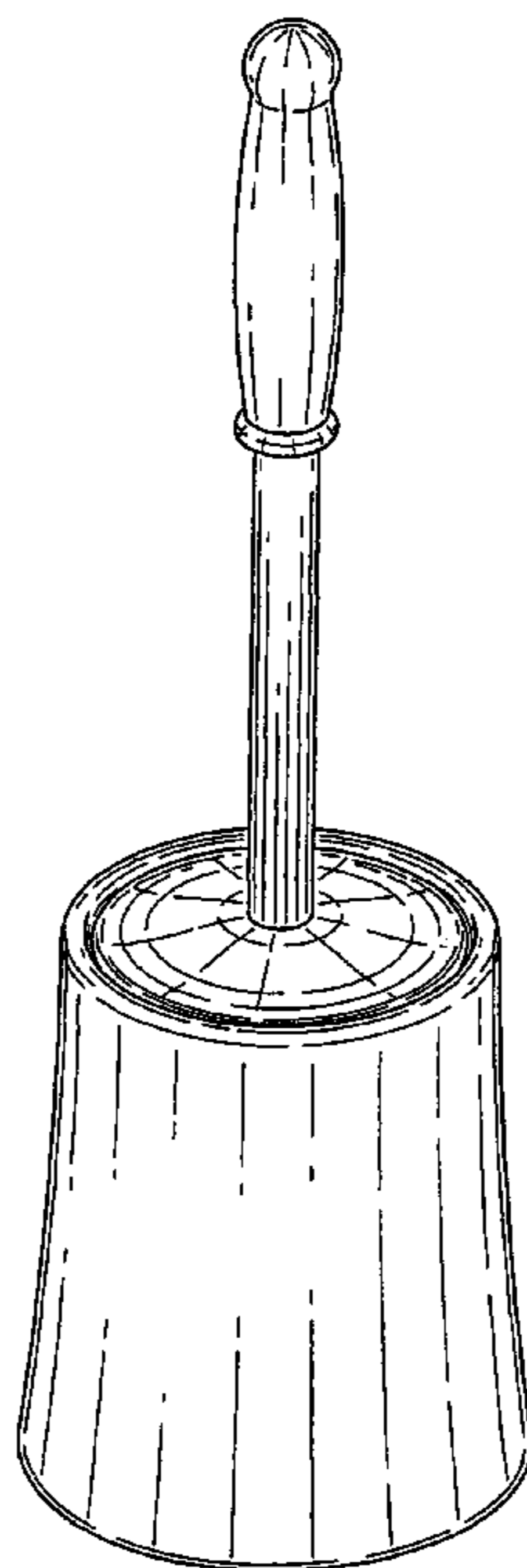
**FOREIGN PATENT DOCUMENTS**

KR 30-0286060 S \* 12/2001

FIG. 5 is a top view of the toilet bowl brush and base as shown in FIG. 2.

The broken line showing of a brush head is included for the purpose of illustrating a portion of the article that forms no part of the claimed design.

**1 Claim, 5 Drawing Sheets**



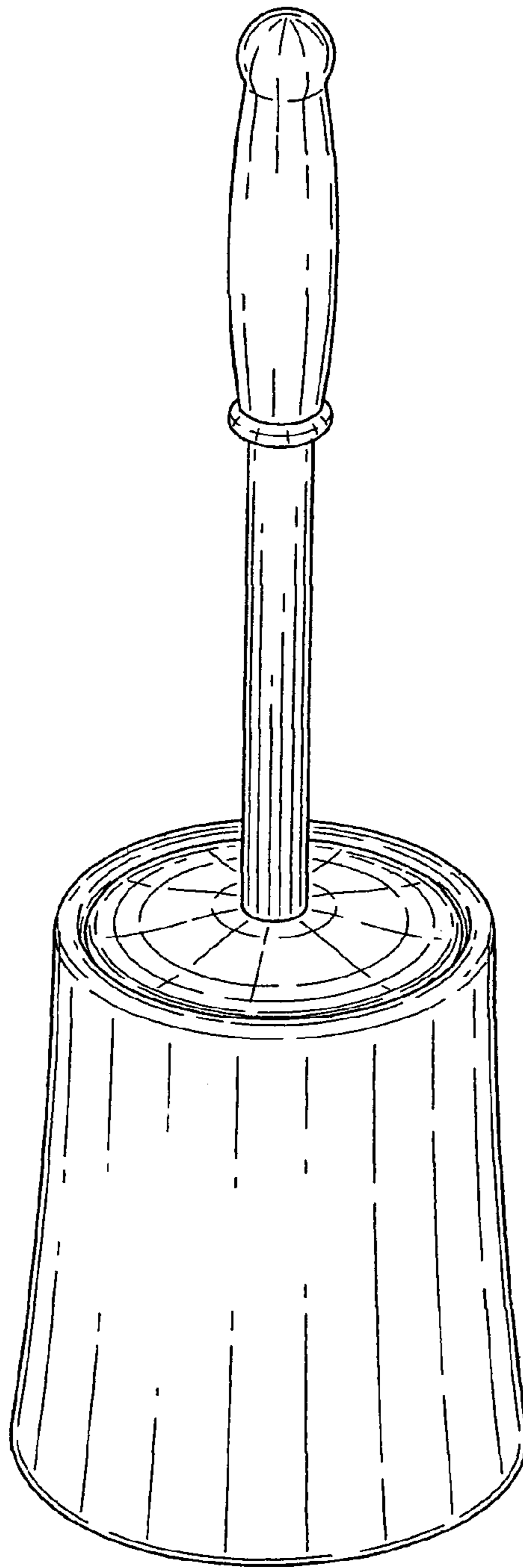


FIG-1

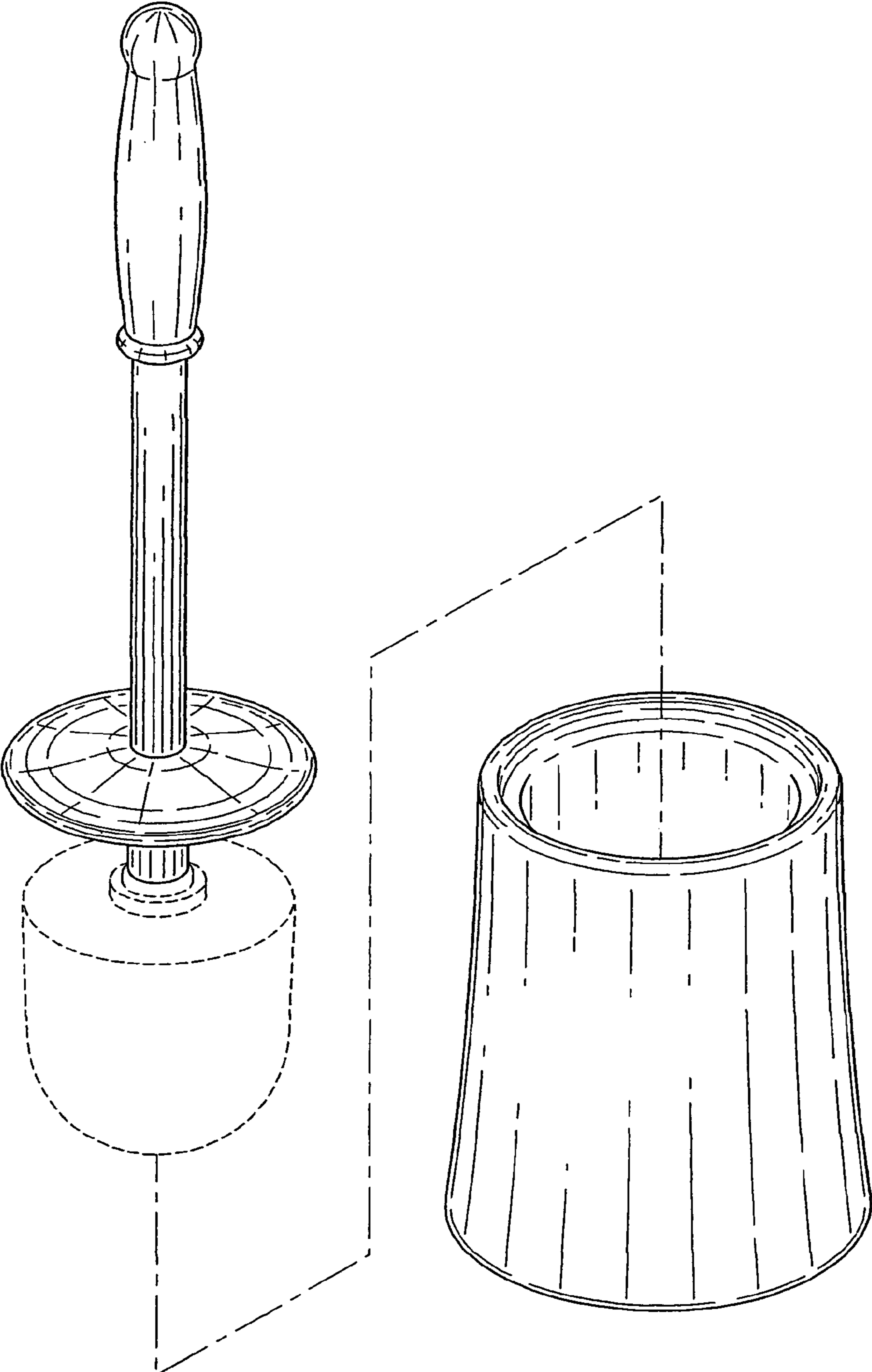


FIG-2

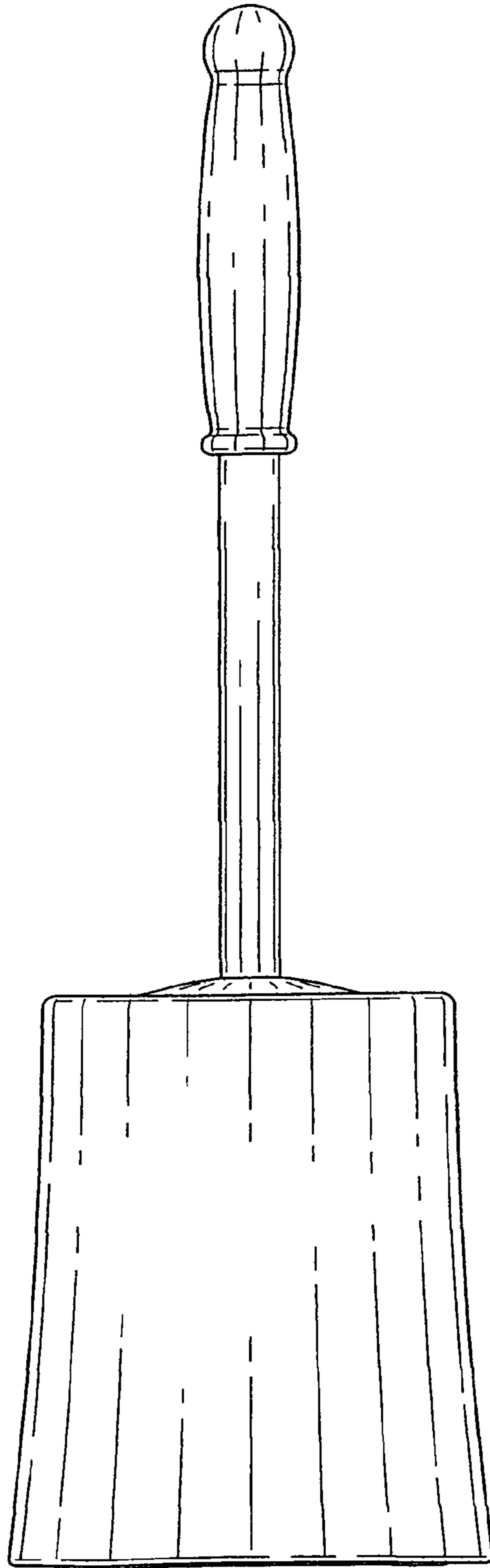


FIG-3

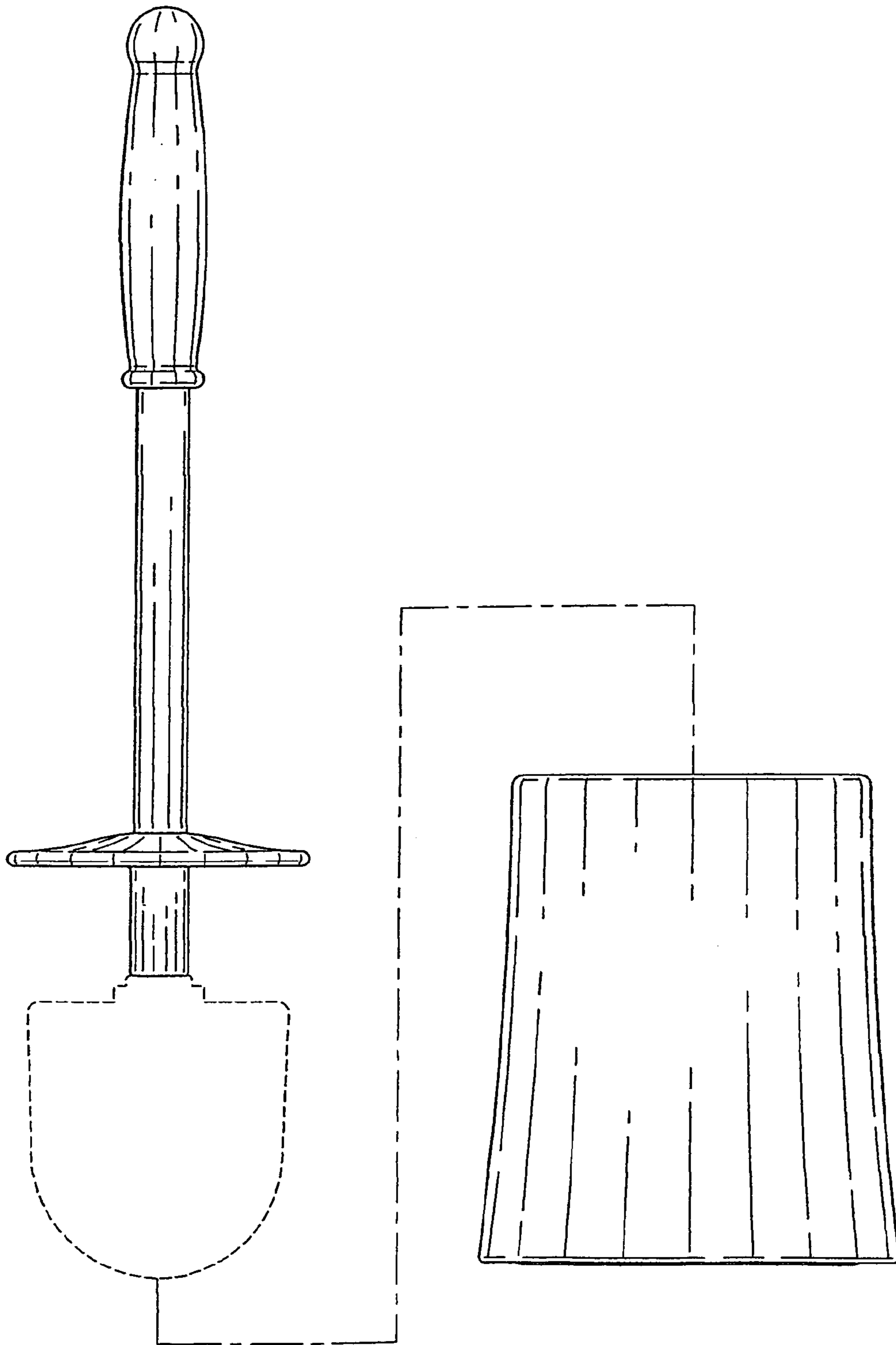


FIG-4

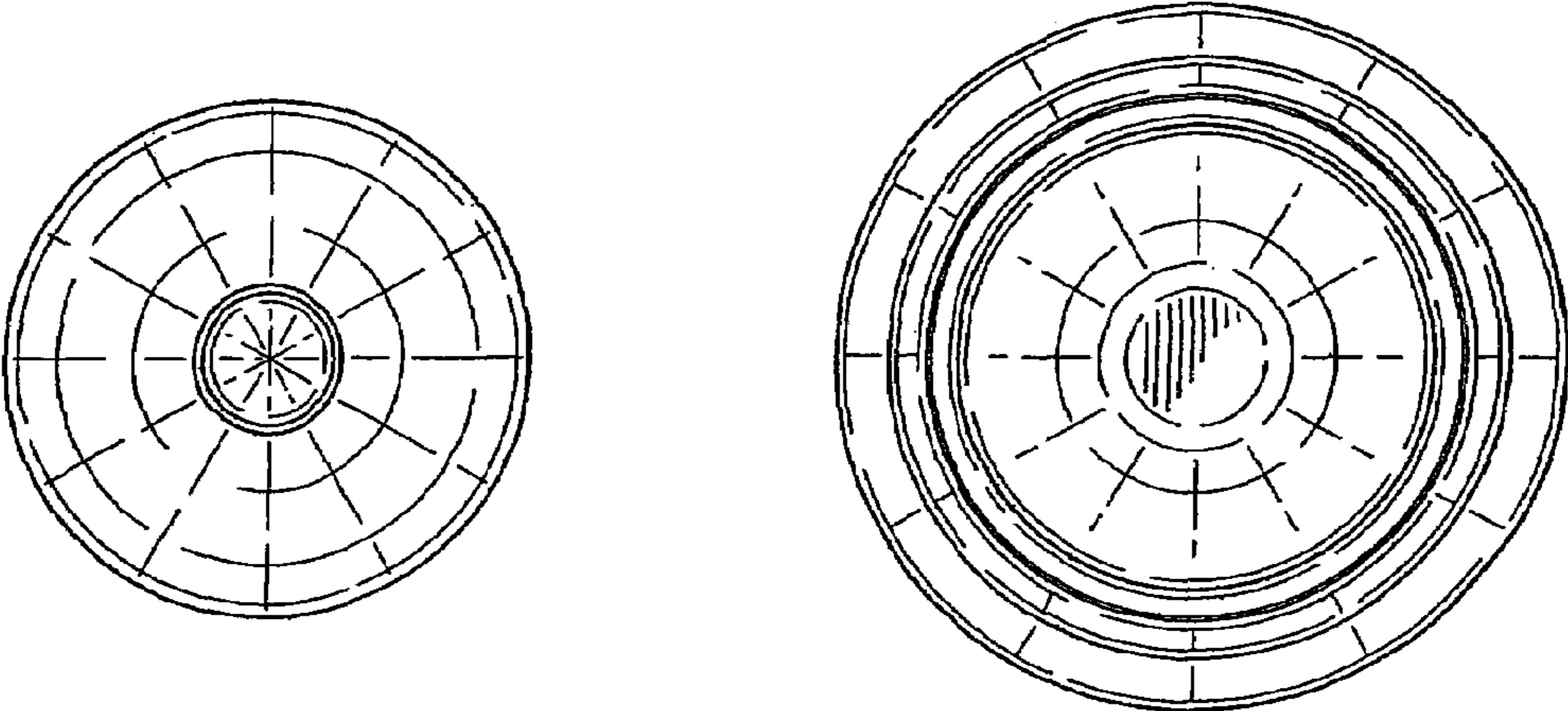


FIG-5