



US00D576797S

(12) **United States Design Patent**
Moskovich

(10) **Patent No.:** **US D576,797 S**
(45) **Date of Patent:** **** Sep. 16, 2008**

(54) **HEAD PORTION OF A TOOTHBRUSH**

(75) Inventor: **Robert Moskovich**, East Brunswick, NJ
(US)

(73) Assignee: **Colgate-Palmolive Company**, New
York, NY (US)

(**) Term: **14 Years**

(21) Appl. No.: **29/251,579**

(22) Filed: **Jan. 10, 2006**

Related U.S. Application Data

(63) Continuation-in-part of application No. 11/122,258,
filed on May 5, 2005, and a continuation-in-part of
application No. 11/122,245, filed on May 5, 2005.

(51) **LOC (8) Cl.** **04-02**

(52) **U.S. Cl.** **D4/108**

(58) **Field of Classification Search** D4/101,
D4/104-113; D24/146, 147; 15/110, 167.1,
15/167.2; 606/161; 601/139, 141
See application file for complete search history.

(56) **References Cited**

U.S. PATENT DOCUMENTS

5,355,546 A 10/1994 Scheier et al.
5,483,722 A 1/1996 Scheier et al.
D401,069 S * 11/1998 Lamond et al. D4/104
5,839,149 A 11/1998 Scheier et al.
D465,847 S * 11/2002 Jacobs D24/147
D477,465 S * 7/2003 Reilly et al. D4/104
6,599,048 B2 * 7/2003 Kuo 401/269

D482,199 S * 11/2003 De Salvo D4/104
D511,249 S * 11/2005 Hohlbein D4/104
2006/0085932 A1 * 4/2006 Santos 15/111

OTHER PUBLICATIONS

DE 202005009026 U1 (Buerstenmann GmbH), (abstract), Nov. 24,
2005, Derwent Information Ltd. [retrieved on Apr. 22, 2008]
Retrieved from the Derwent Database of the U.S. Patent Office using
East, Derwent Accession No. 2006-012105.*

* cited by examiner

Primary Examiner—Cathron Brooks

Assistant Examiner—Lavone D Tabor

(74) *Attorney, Agent, or Firm*—Amy Fernandez

(57) **CLAIM**

The ornamental design for a head portion of a toothbrush, as
shown and described.

DESCRIPTION

FIG. 1 is a front view of a head portion of a toothbrush
showing my new design;

FIG. 2 is a right side view thereof, the left side view being
identical thereto;

FIG. 3 is a rear view thereof;

FIG. 4 is a top view thereof;

FIG. 5 is a bottom view thereof;

FIG. 6 is a right, frontal perspective view thereof; and,

FIG. 7 is a left, rear perspective view thereof.

The dotted lines are for purposes of illustration and form no
part of the claimed design.

1 Claim, 3 Drawing Sheets

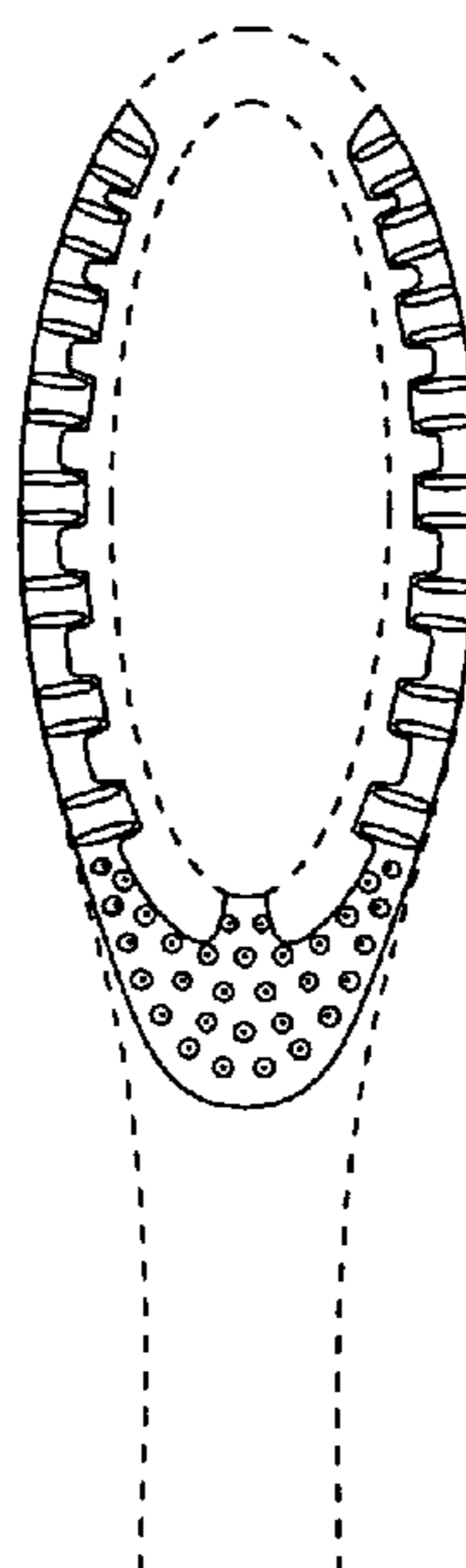
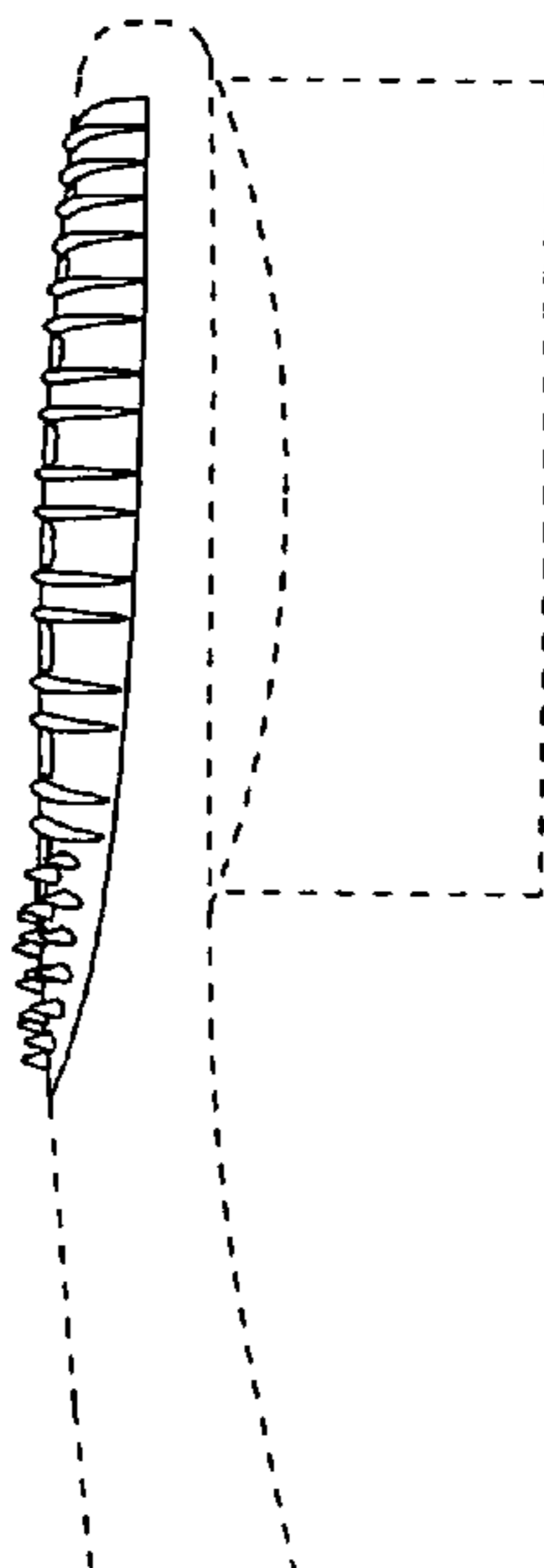


FIG. 1

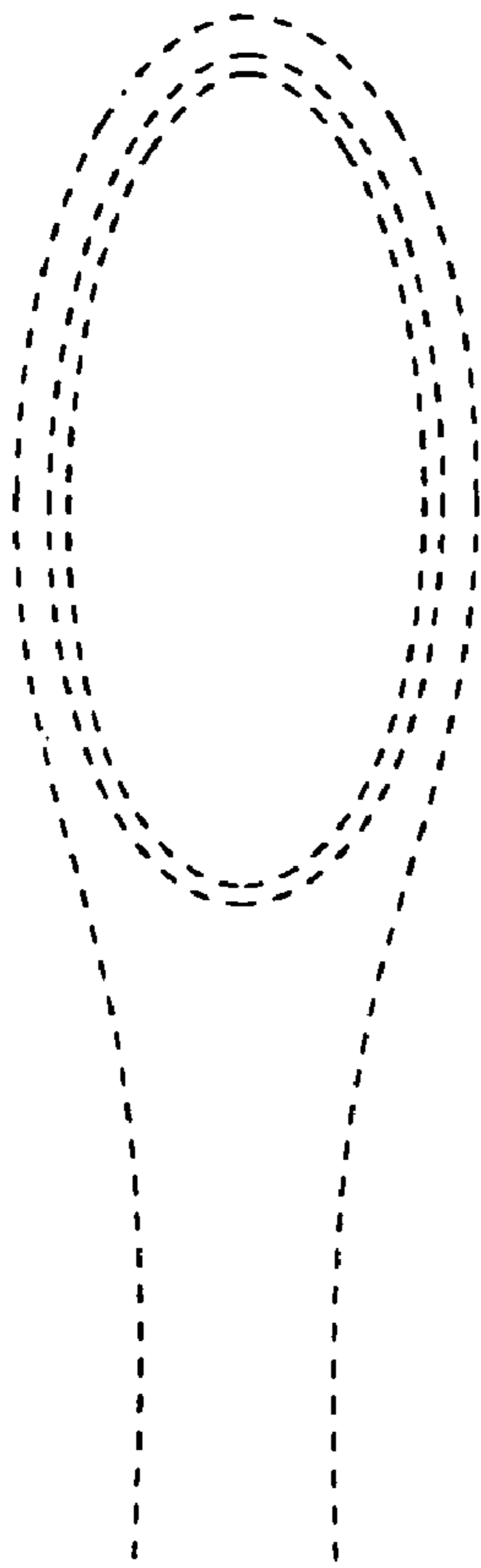


FIG. 2

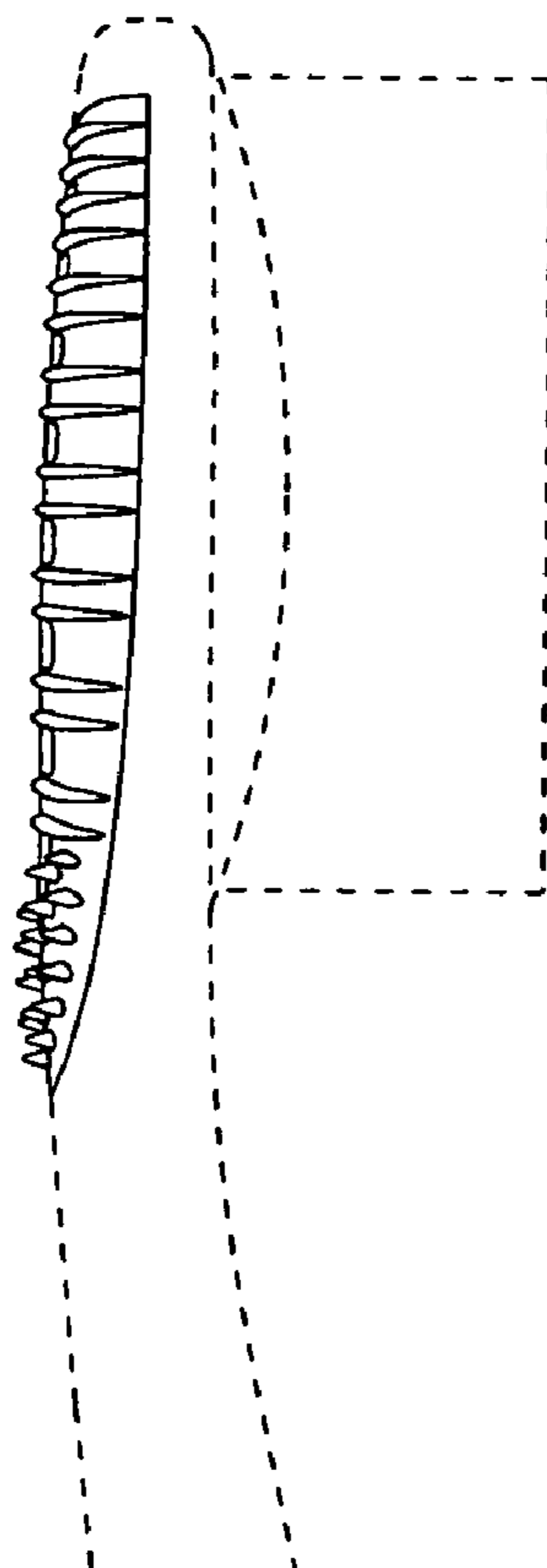


FIG. 3

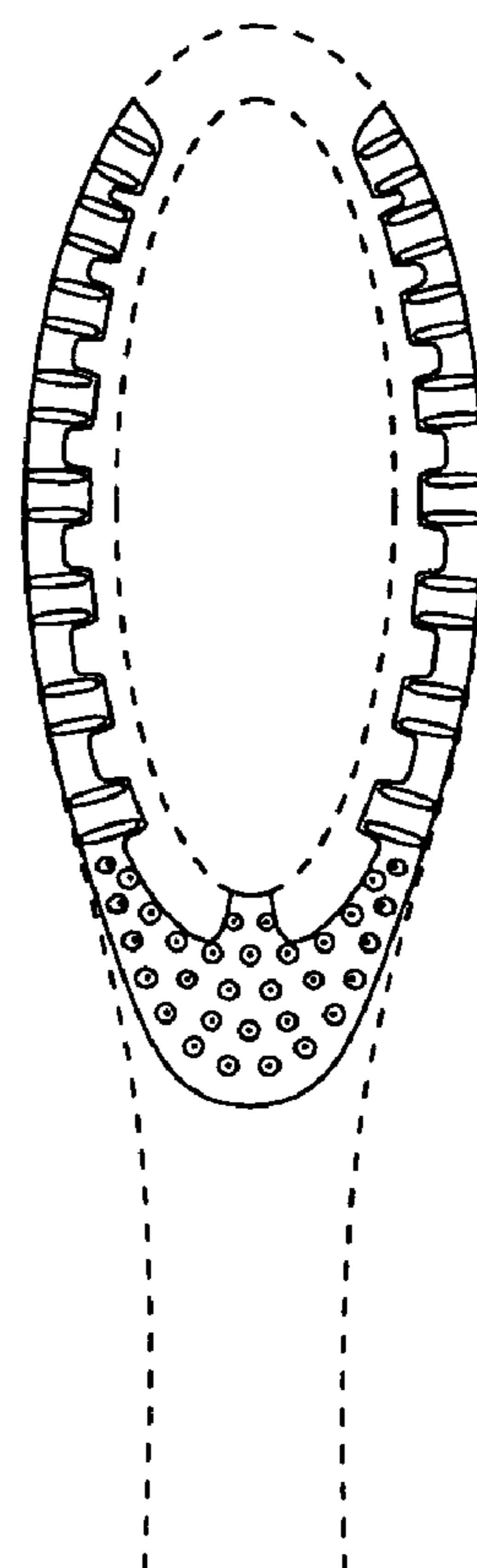


FIG. 4

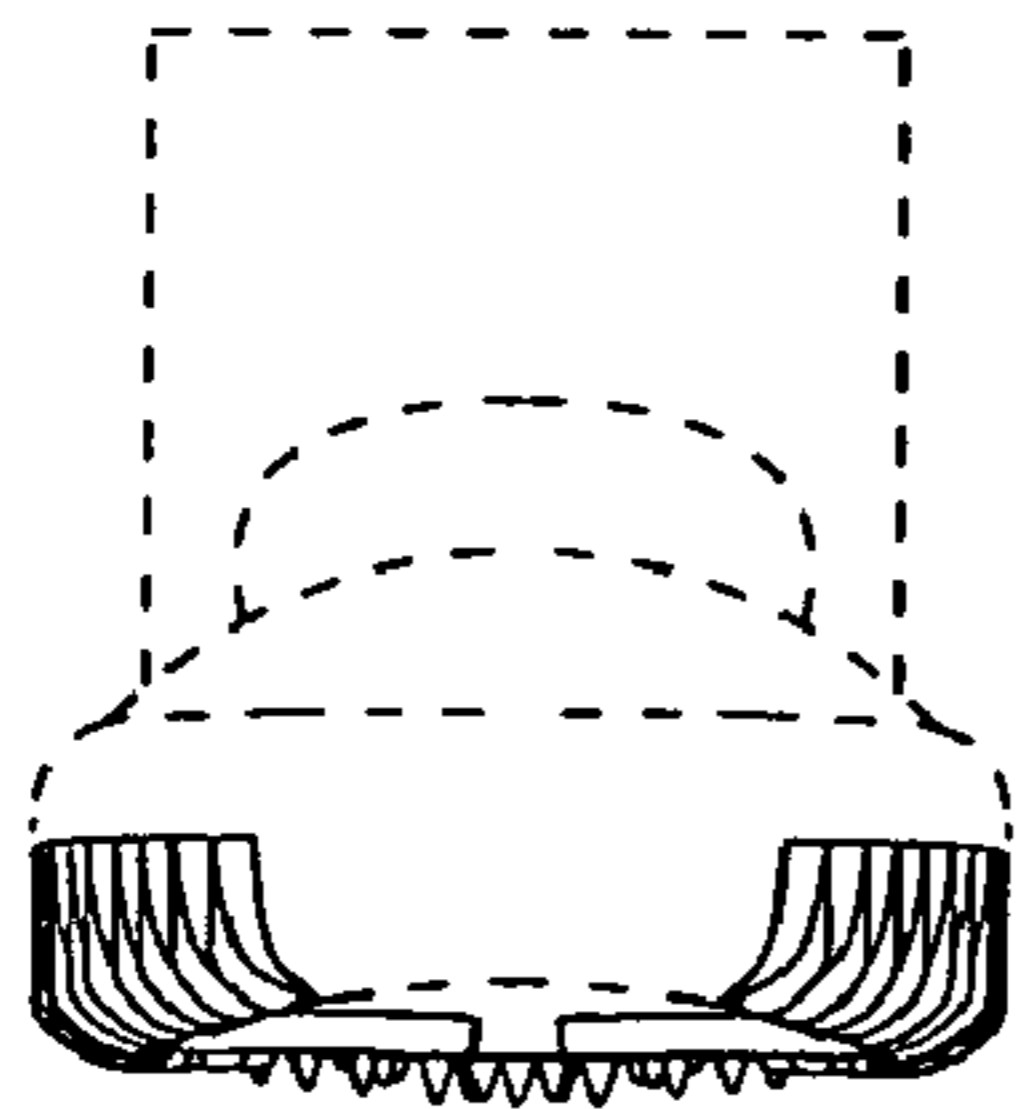


FIG. 5

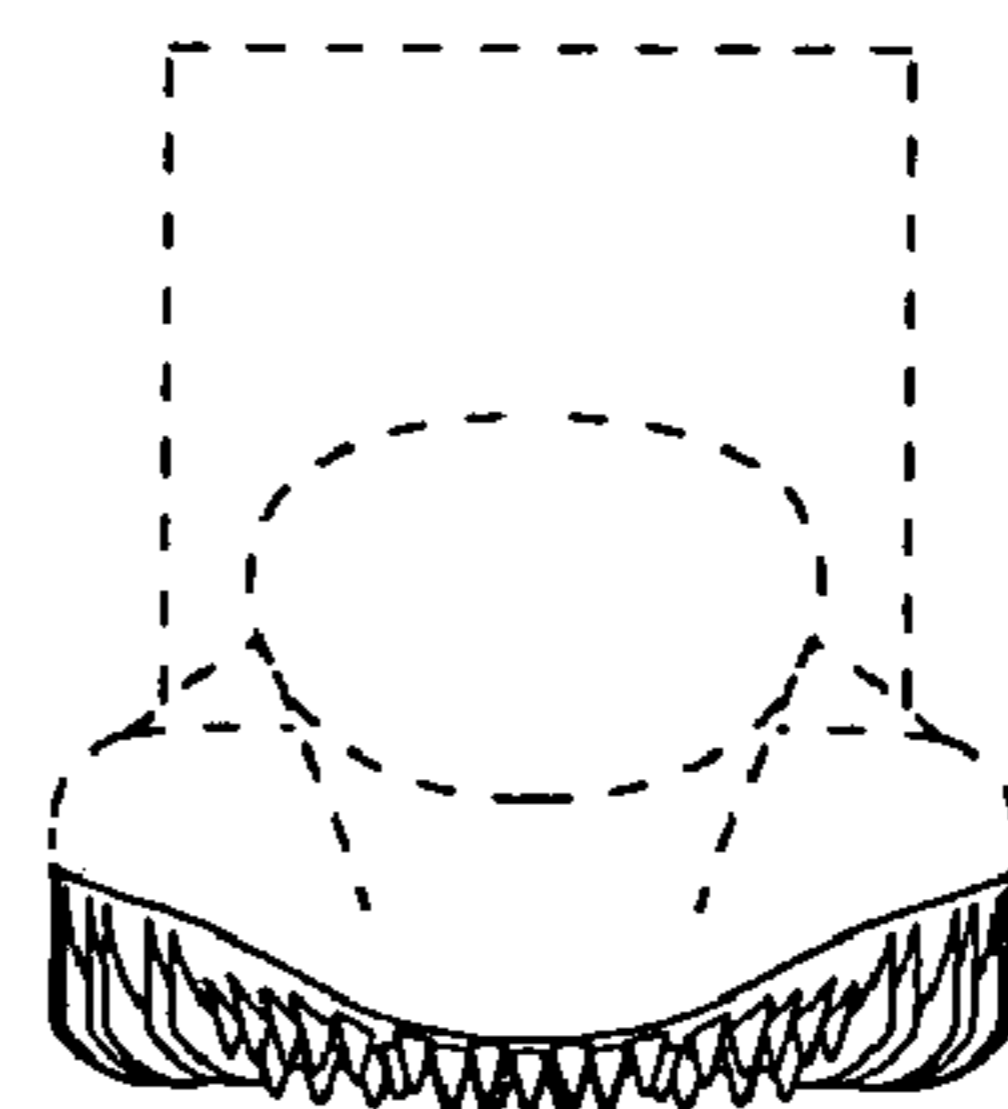


FIG. 6

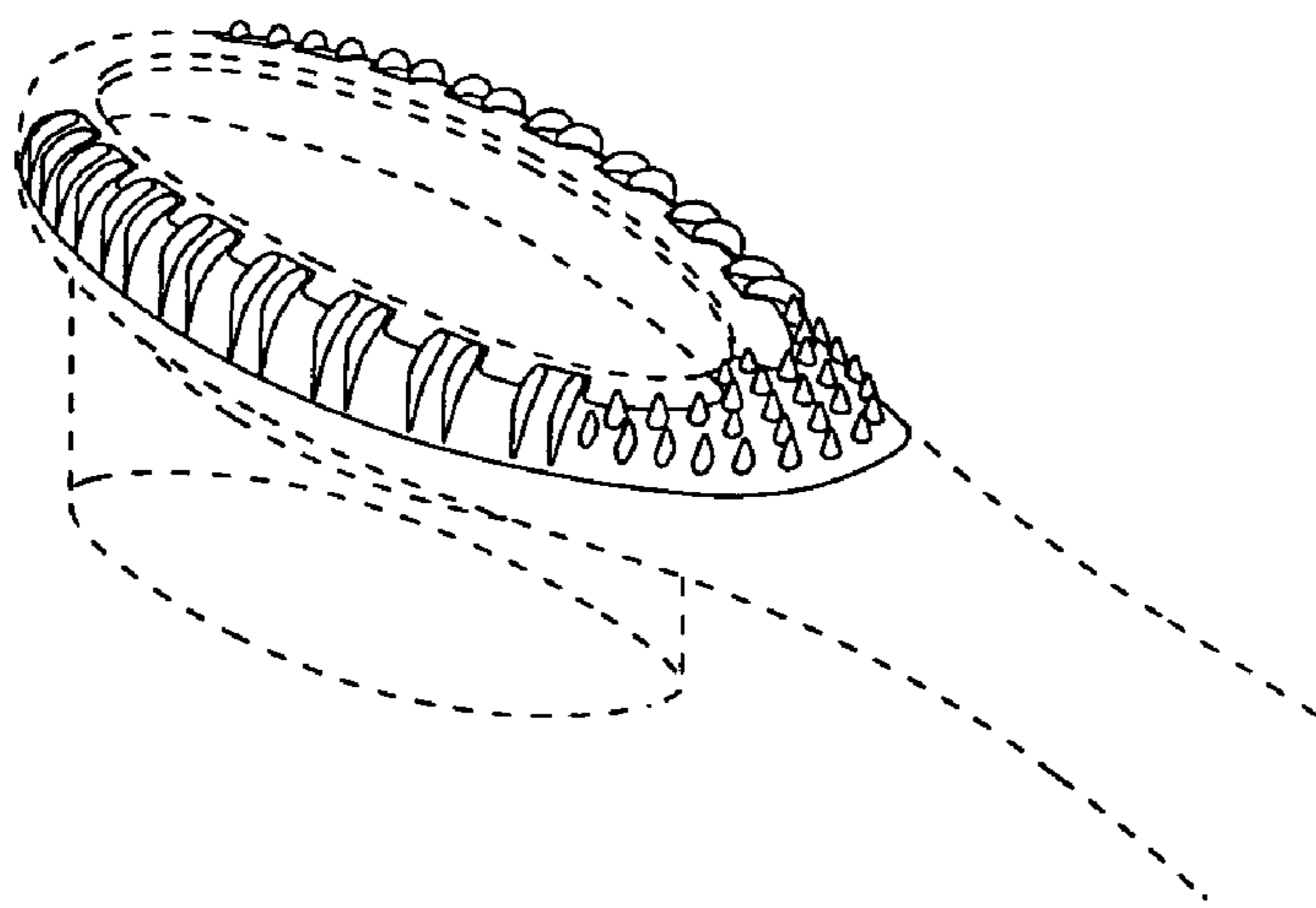
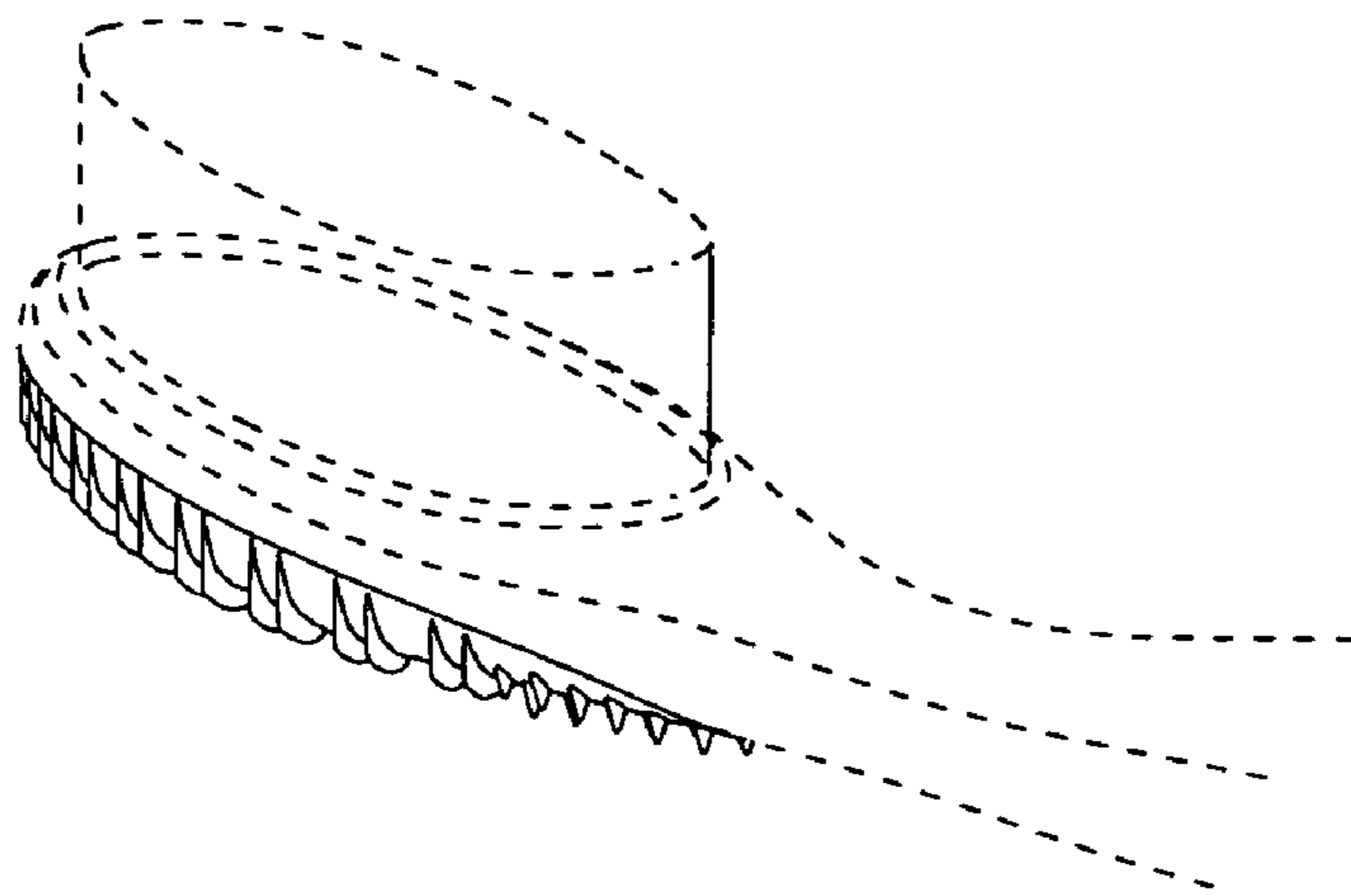


FIG. 7