



US00D576795S

(12) **United States Design Patent**
Moon

(10) **Patent No.:** **US D576,795 S**

(45) **Date of Patent:** **** Sep. 16, 2008**

(54) **WHEEL FOR LUGGAGE**

D522,753 S * 6/2006 Moon D3/318
D525,033 S * 7/2006 Neumann D3/318

(76) Inventor: **Jerry Moon**, P.O. Box 24-108, Taipei
(TW)

* cited by examiner

(**) Term: **14 Years**

Primary Examiner—Holly H Baynham

(21) Appl. No.: **29/286,373**

(57) **CLAIM**

(22) Filed: **May 4, 2007**

I claim the ornamental design for a wheel for luggage, as shown and described.

(51) **LOC (8) Cl.** **03-01**

(52) **U.S. Cl.** **D3/318**

(58) **Field of Classification Search** D3/318,
D3/279, 276, 289; D8/375; 16/113.1, 114.1,
16/45; 190/18 A, 110, 109, 111–115
See application file for complete search history.

DESCRIPTION

FIG. 1 is a perspective view of a wheel for luggage showing my new design;

FIG. 2 is a front view thereof;

FIG. 3 is a rear view thereof;

FIG. 4 is a right side view thereof; the left side view being a mirror image; and,

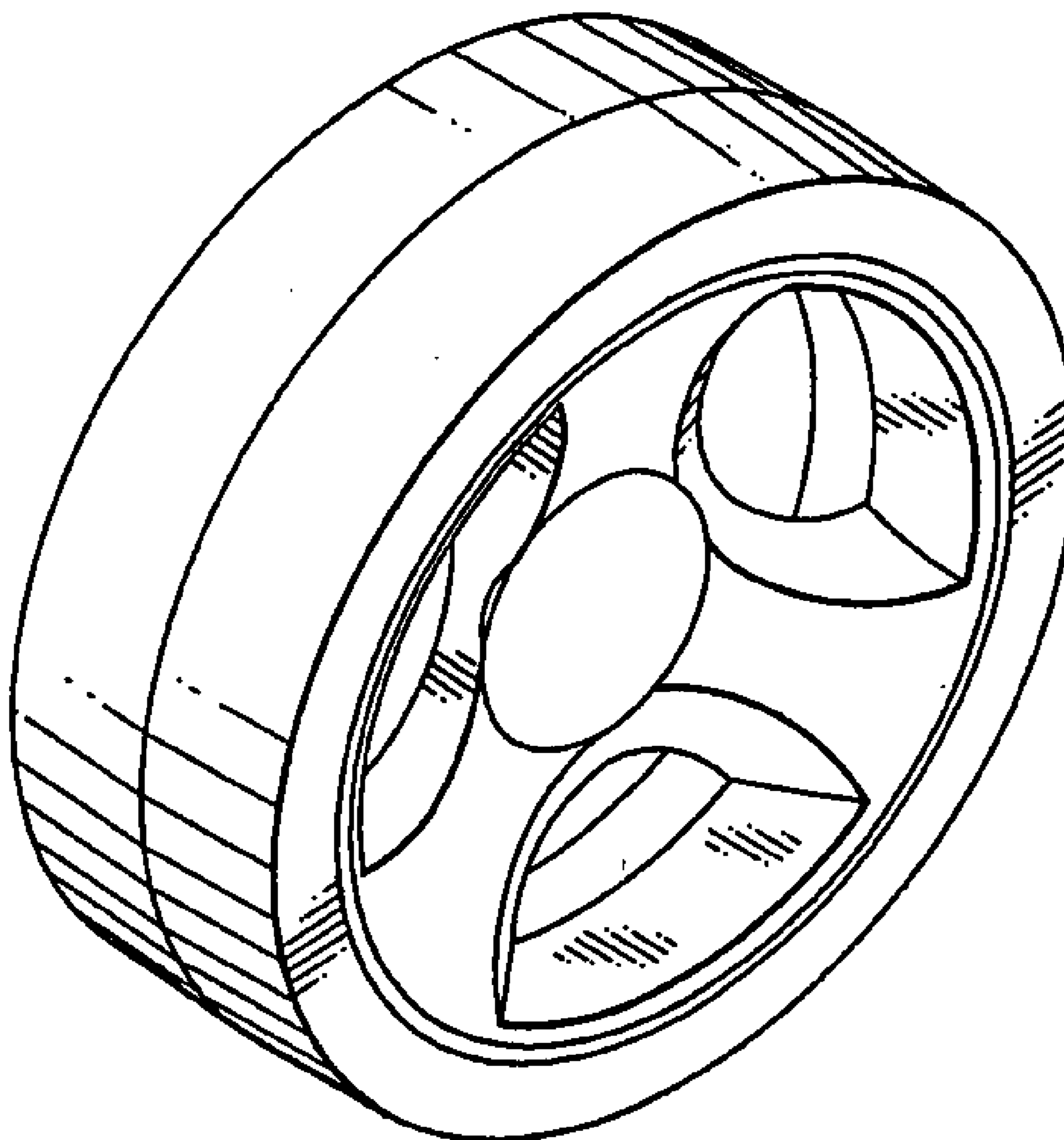
FIG. 5 is a top plan view thereof; the bottom plan view being a mirror image thereof.

(56) **References Cited**

U.S. PATENT DOCUMENTS

6,167,994 B1 * 1/2001 Kuo et al. 190/18 A
D439,410 S * 3/2001 Chang D3/318
6,354,412 B1 * 3/2002 Kuo 190/18 A
D473,379 S * 4/2003 Moon D3/318

1 Claim, 2 Drawing Sheets



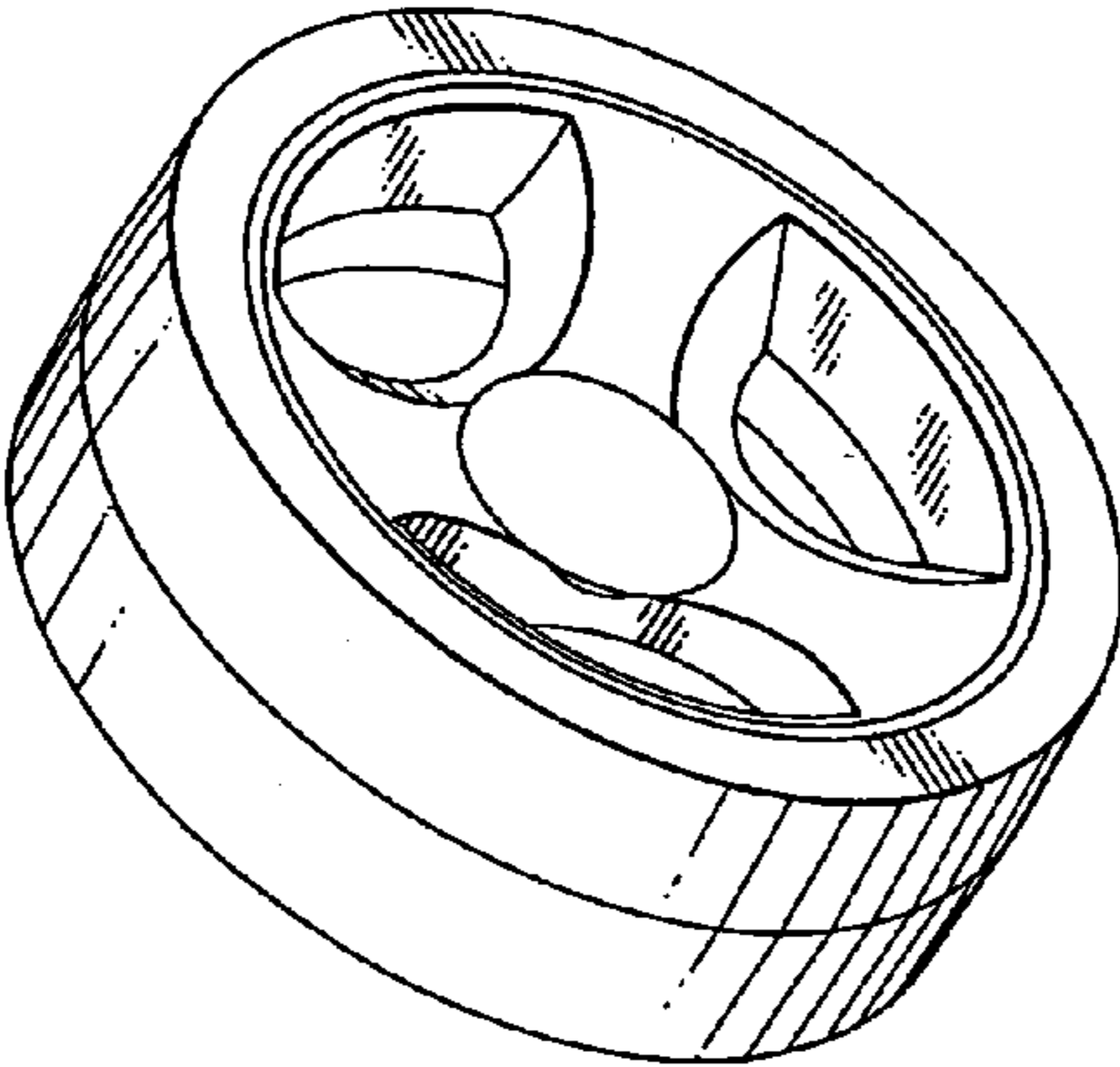


FIG. 1



FIG. 5

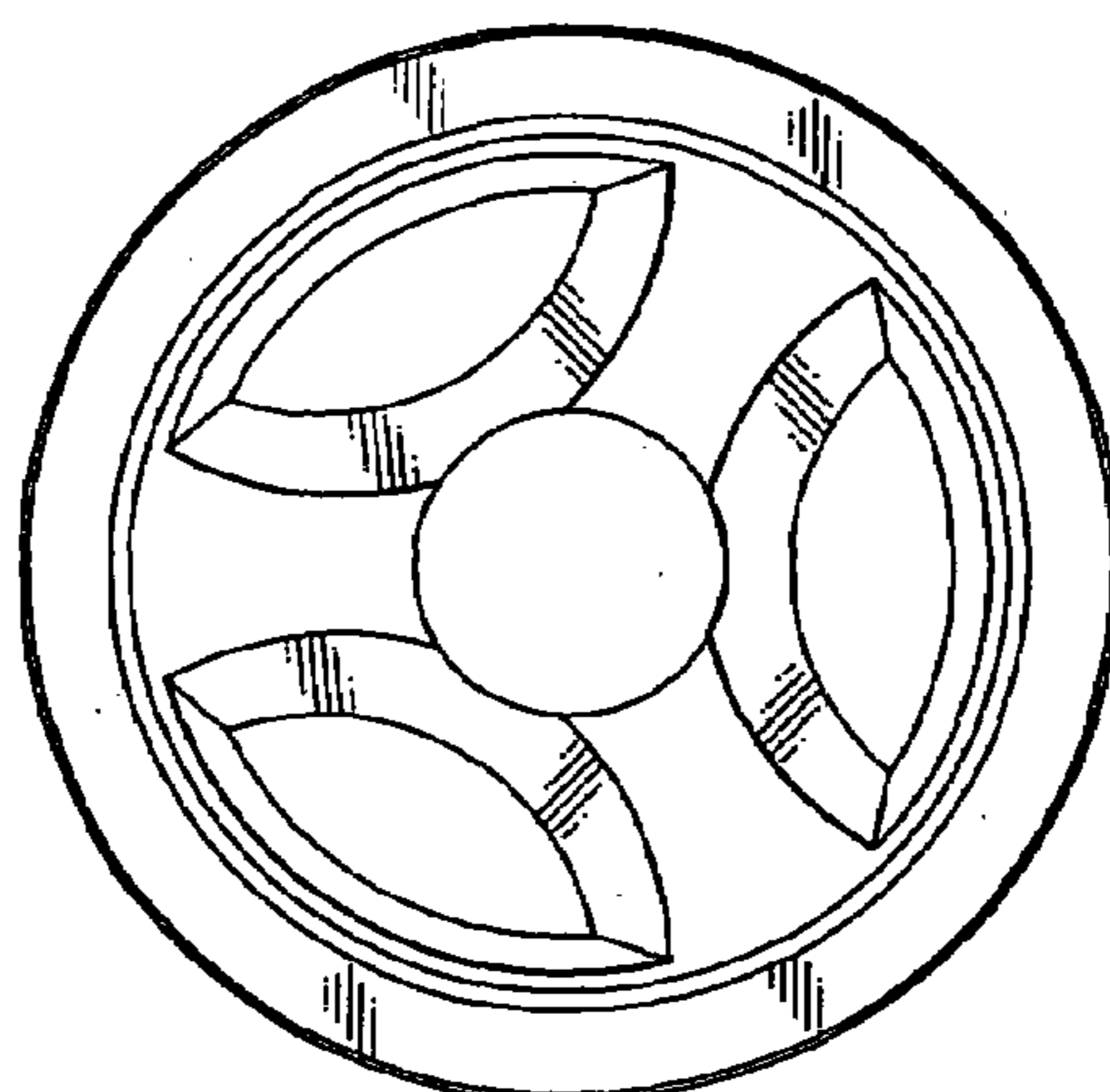


FIG. 2

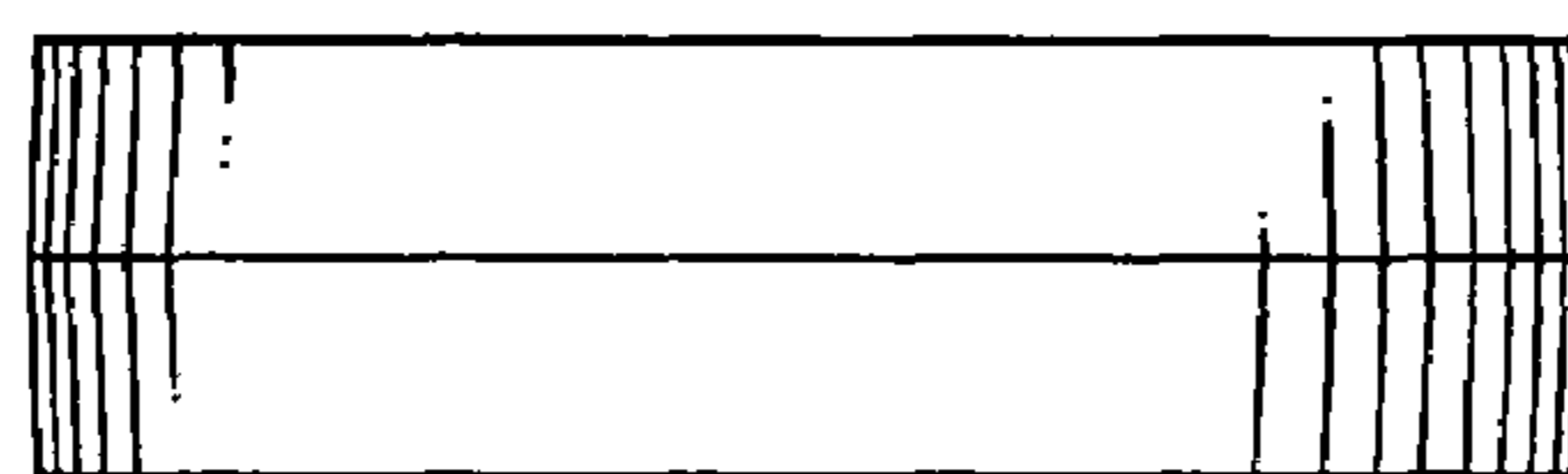


FIG. 4

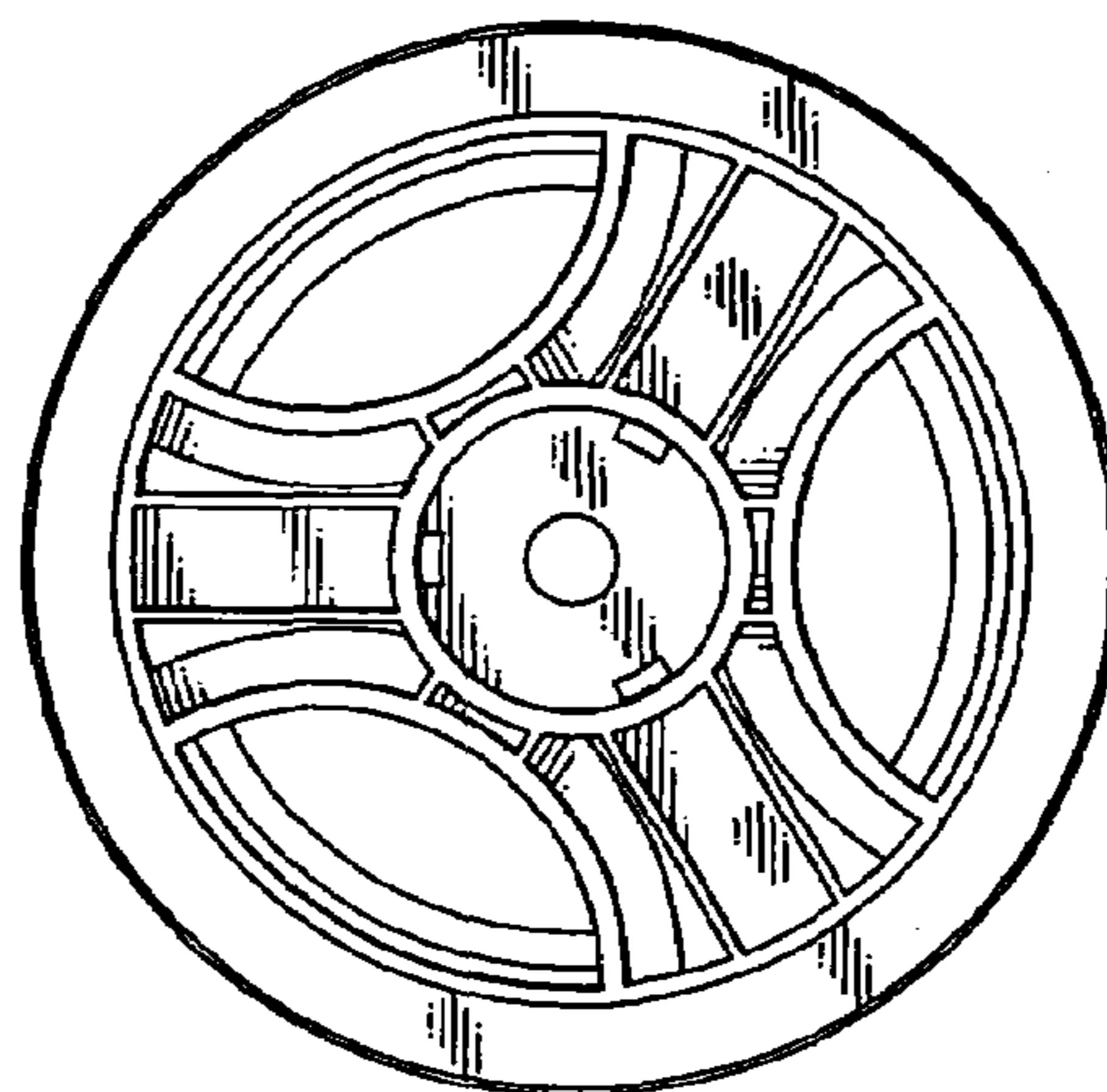


FIG. 3