



US00D576792S

(12) **United States Design Patent**
Wagner, II

(10) **Patent No.:** **US D576,792 S**
(45) **Date of Patent:** **** Sep. 16, 2008**

(54) **ARMBAND CARRIER WITH WINDOW**

(75) Inventor: **Richard S. Wagner, II**, Loveland, OH (US)

(73) Assignee: **Tune Belt, Inc.**, Cincinnati, OH (US)

(**) Term: **14 Years**

(21) Appl. No.: **29/294,876**

(22) Filed: **Jan. 31, 2008**

(51) **LOC (8) Cl.** **03-01**

(52) **U.S. Cl.** **D3/226**

(58) **Field of Classification Search** D3/226,
D3/224, 228, 221, 218, 219, 215, 267; 224/240–241,
224/245, 236, 908–909, 660, 676–677
See application file for complete search history.

(56) **References Cited**

U.S. PATENT DOCUMENTS

D33,980 S	1/1901	Mitchell	
D248,258 S	6/1978	Munari	
D258,246 S	2/1981	Kravchenko	
D278,761 S	5/1985	Fuller	
D293,387 S	12/1987	Wagner, II	
D350,025 S	8/1994	Rolle	
D374,983 S	10/1996	Brucki	
5,577,653 A	11/1996	Bieker	
D380,086 S	6/1997	Brassard	
D384,808 S	10/1997	Carretta	
D395,163 S	6/1998	Huang	
D406,455 S	3/1999	Wagner, II	
D408,628 S	4/1999	Fusco	
D415,892 S *	11/1999	Angus et al. D3/226
D419,291 S	1/2000	Pugh	
D426,058 S	6/2000	Gaines et al.	
D433,807 S	11/2000	Vazquez	
D458,021 S	6/2002	Willows et al.	

D459,875 S	7/2002	Mack et al.	
D460,257 S *	7/2002	Williams et al. D3/226
D490,239 S	5/2004	Wagner, II	
D490,974 S	6/2004	Wagner, II	
D498,048 S *	11/2004	Reichardt D3/228
D512,834 S	12/2005	Wagner, II	
D513,865 S	1/2006	Wagner, II	

* cited by examiner

Primary Examiner—Catherine R Oliver
(74) *Attorney, Agent, or Firm*—Sand & Sebolt

(57) **CLAIM**

The ornamental design for the armband carrier with window, as shown and described.

DESCRIPTION

FIG. 1 is a front elevational view of the armband carrier with window showing my new design;

FIG. 2 is a top plan view thereof;

FIG. 3 is a bottom plan view thereof;

FIG. 4 is a rear elevational view thereof;

FIG. 5 is a left end view of FIG. 1;

FIG. 6 is a right end view of FIG. 1;

FIG. 7 is a front elevational view of a modified embodiment of the armband carrier with window;

FIG. 8 is a top plan view of the modified armband carrier with window of FIG. 7;

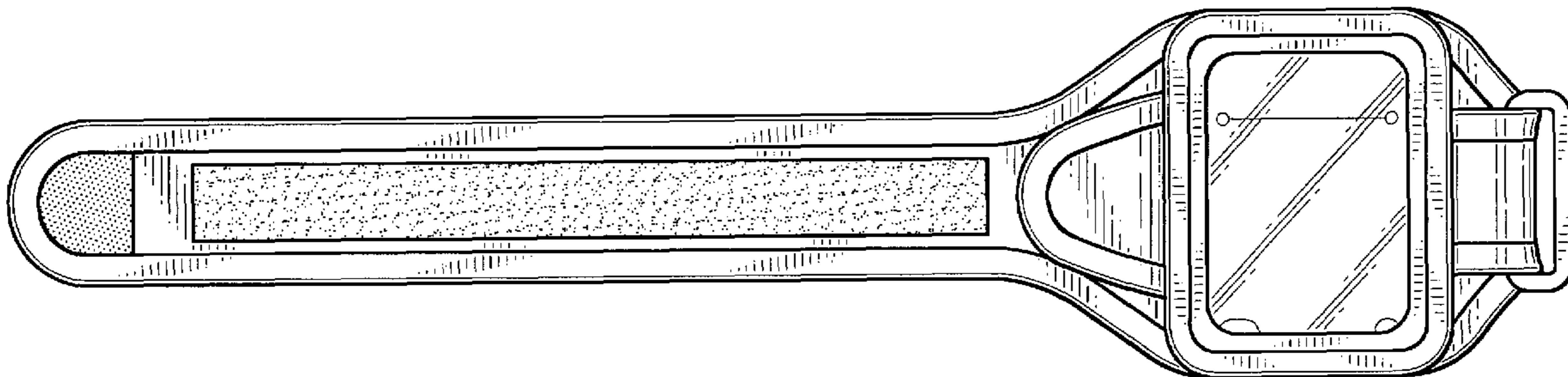
FIG. 9 is a bottom plan view of FIG. 7;

FIG. 10 is a rear elevational view of FIG. 7;

FIG. 11 is a left end view of FIG. 7; and,

FIG. 12 is a right end view of FIG. 7.

1 Claim, 4 Drawing Sheets



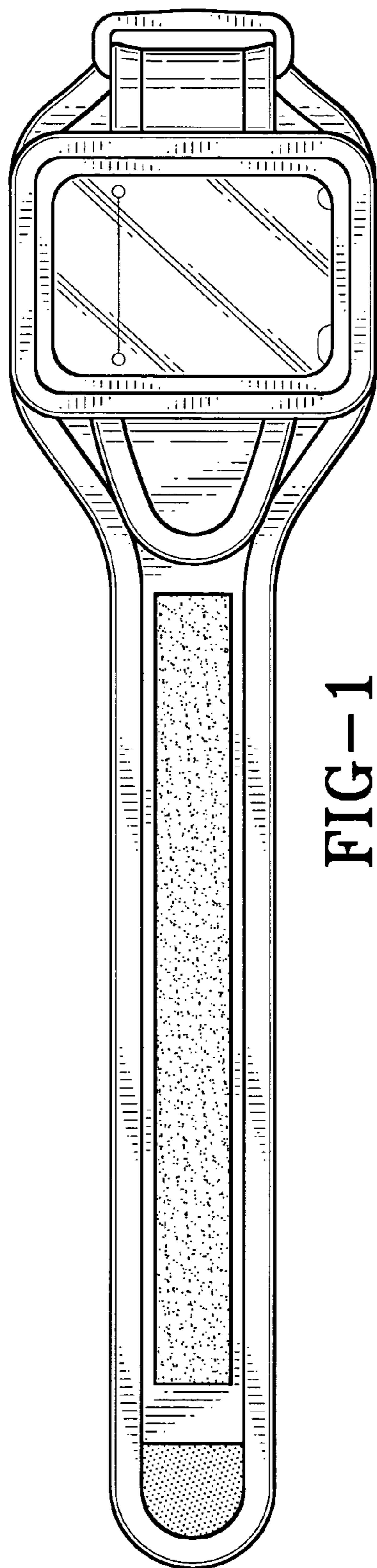


FIG-1



FIG-2



FIG-3

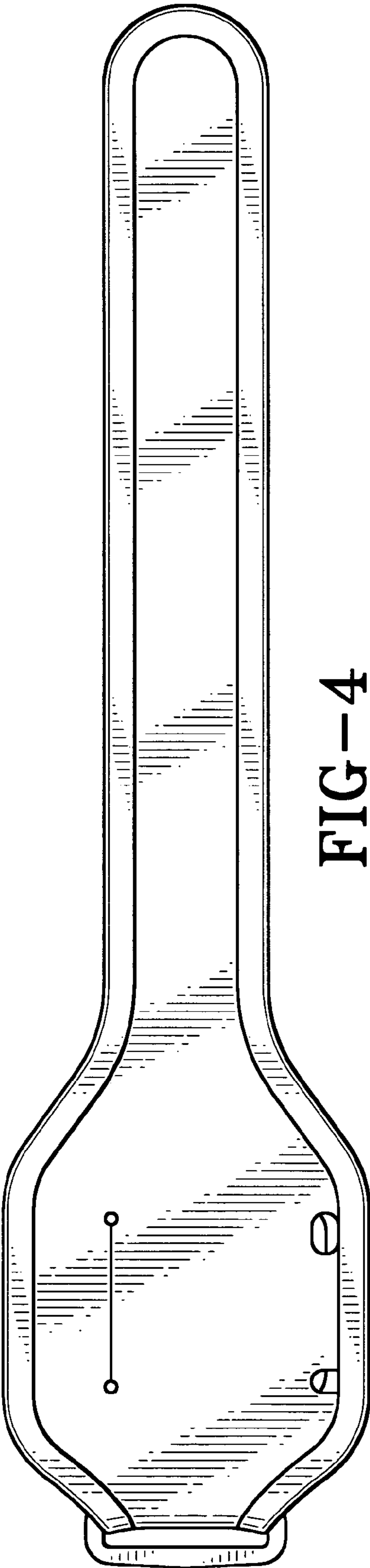


FIG-4

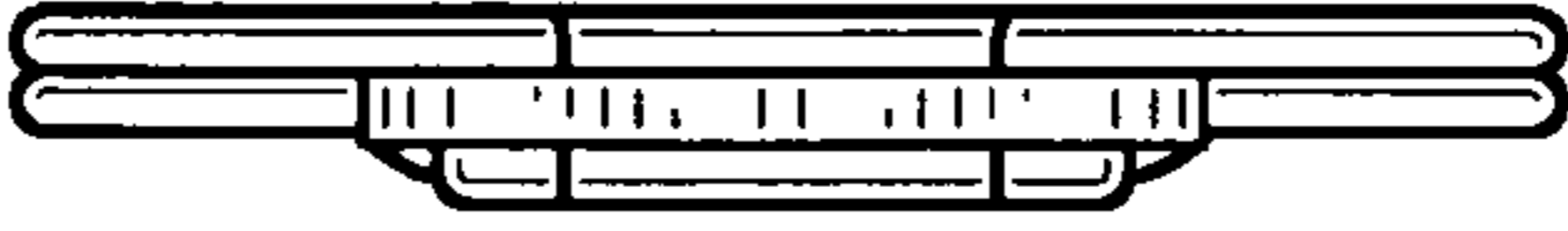


FIG-6

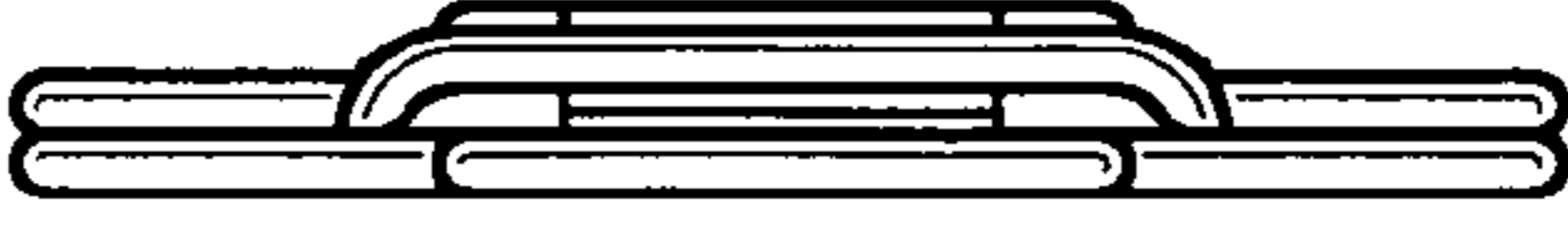


FIG-5

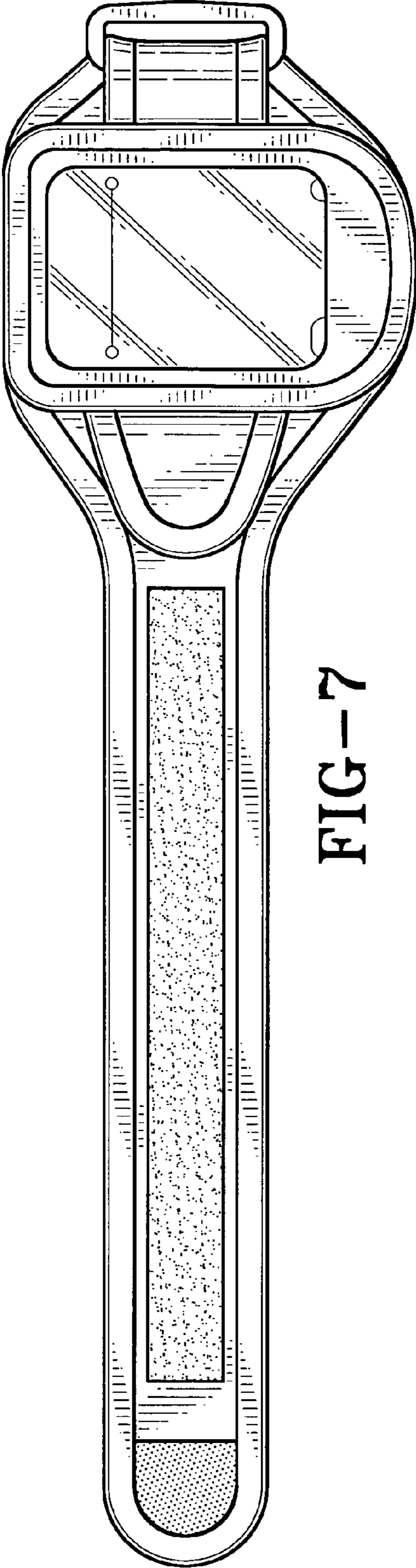


FIG-7



FIG-8



FIG-9

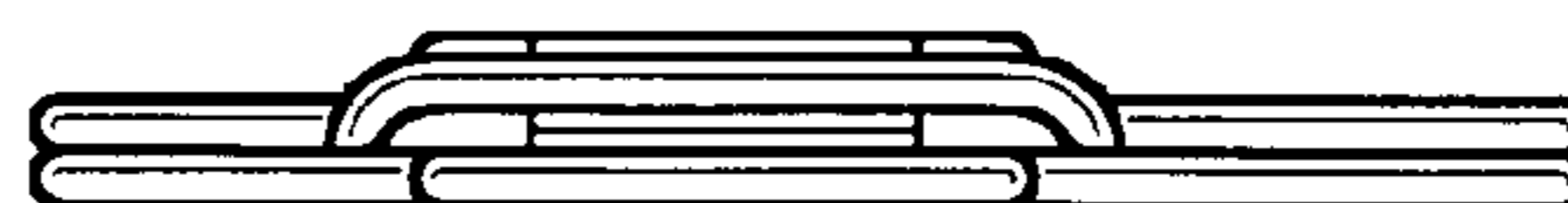
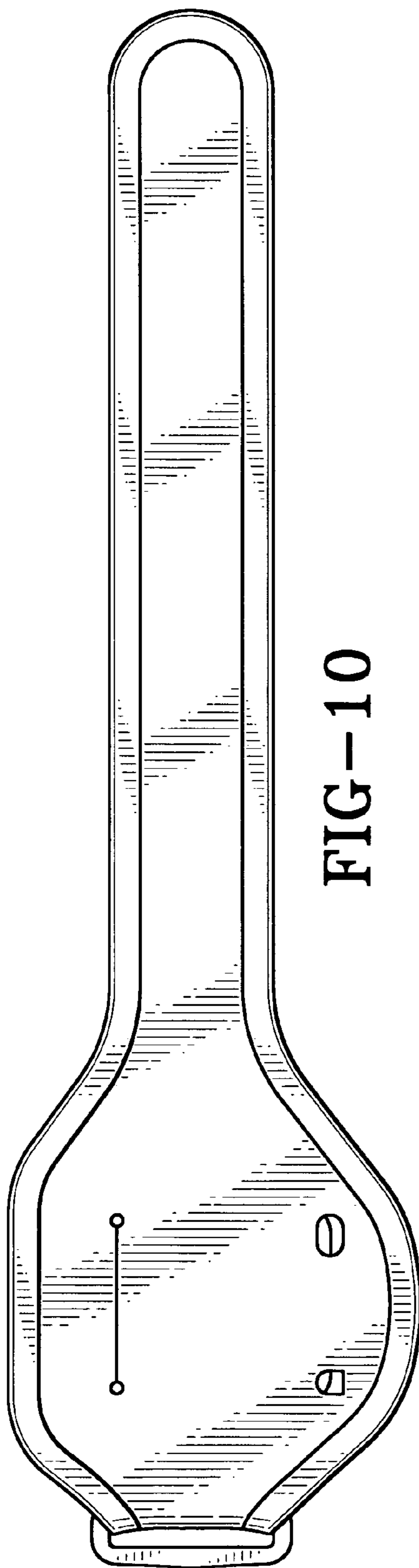


FIG-11



FIG-12