



US00D576784S

(12) **United States Design Patent**  
**Earle**

(10) **Patent No.:** **US D576,784 S**  
(45) **Date of Patent:** **\*\* Sep. 16, 2008**

(54) **FOOTWEAR TOE PORTION**

**DESCRIPTION**

- (75) Inventor: **John Earle**, Portland, OR (US)
- (73) Assignee: **Deckers Outdoor Corporation**, Goleta, CA (US)
- (\*\*) Term: **14 Years**
- (21) Appl. No.: **29/288,342**
- (22) Filed: **Jun. 7, 2007**
- (51) **LOC (8) Cl.** ..... **02-99**
- (52) **U.S. Cl.** ..... **D2/972**
- (58) **Field of Classification Search** ..... D2/896,  
D2/902, 903, 906-910, 943, 969, 972-974;  
36/45, 77 M, 77 R, 83, 88, 113, 114, 126-131  
See application file for complete search history.

FIG. 1 is a top perspective view of a footwear toe portion showing my new design;  
 FIG. 2 is a medial side elevational view thereof;  
 FIG. 3 is a lateral side elevational view thereof;  
 FIG. 4 is a front elevational view thereof;  
 FIG. 5 is a rear elevational view thereof;  
 FIG. 6 is a top plan view thereof;  
 FIG. 7 is a bottom plan view thereof;  
 FIG. 8 is a top perspective view of a second embodiment of a footwear toe portion showing my new design;  
 FIG. 9 is a medial side elevational view thereof;  
 FIG. 10 is a lateral side elevational view thereof;  
 FIG. 11 is a front elevational view thereof;  
 FIG. 12 is a rear elevational view thereof;  
 FIG. 13 is a top plan view thereof;  
 FIG. 14 is a bottom plan view thereof;  
 FIG. 15 is a top perspective view of a third embodiment of a footwear toe portion showing my new design;  
 FIG. 16 is a medial side elevational view thereof;  
 FIG. 17 is a lateral side elevational view thereof;  
 FIG. 18 is a front elevational view thereof;  
 FIG. 19 is a rear elevational view thereof;  
 FIG. 20 is a top plan view thereof; and,  
 FIG. 21 is a bottom plan view thereof.

(56) **References Cited**

**U.S. PATENT DOCUMENTS**

- D519,271 S \* 4/2006 Hoeft ..... D2/972
- D520,222 S \* 5/2006 Matis et al. .... D2/969
- D520,723 S \* 5/2006 Hoeft ..... D2/972

\* cited by examiner

*Primary Examiner*—Dominic Simone

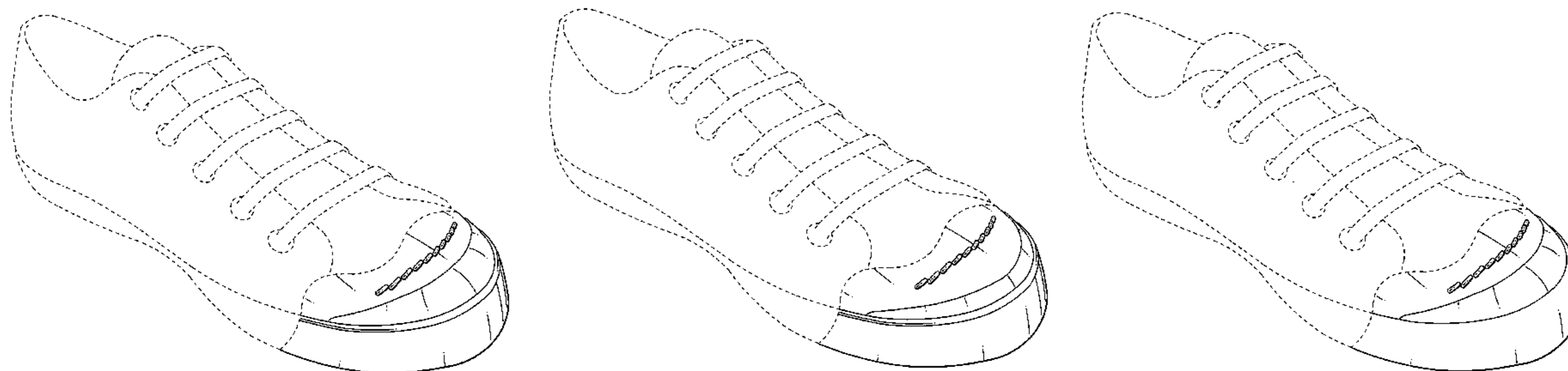
(74) *Attorney, Agent, or Firm*—Greer, Burns & Crain, Ltd.

(57) **CLAIM**

The ornamental design for a footwear toe portion, as shown and described.

The broken lines showing a sole and an upper in FIGS. 1-21 represent portions of the footwear that form no part of the claimed design.

**1 Claim, 18 Drawing Sheets**



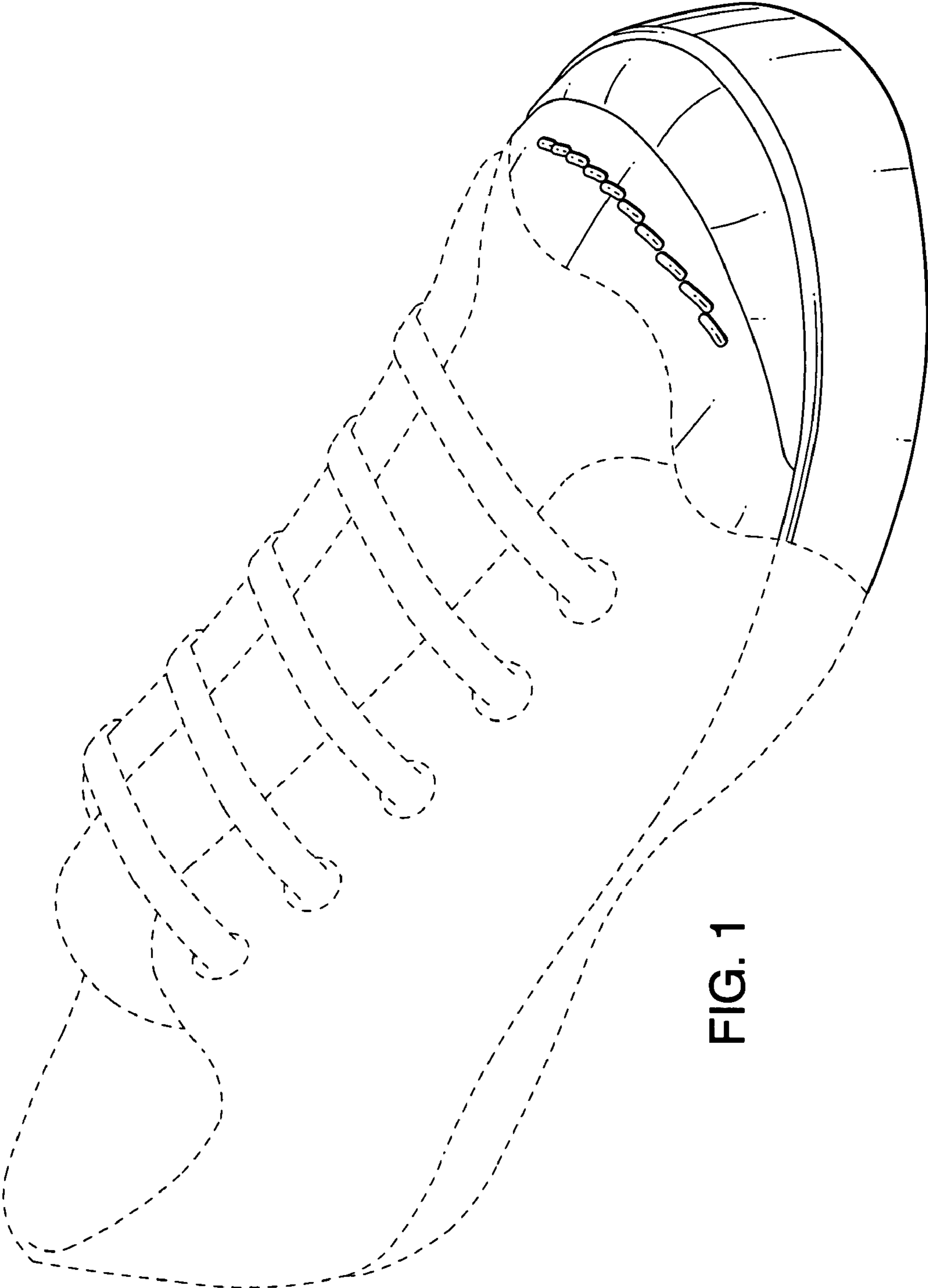


FIG. 1

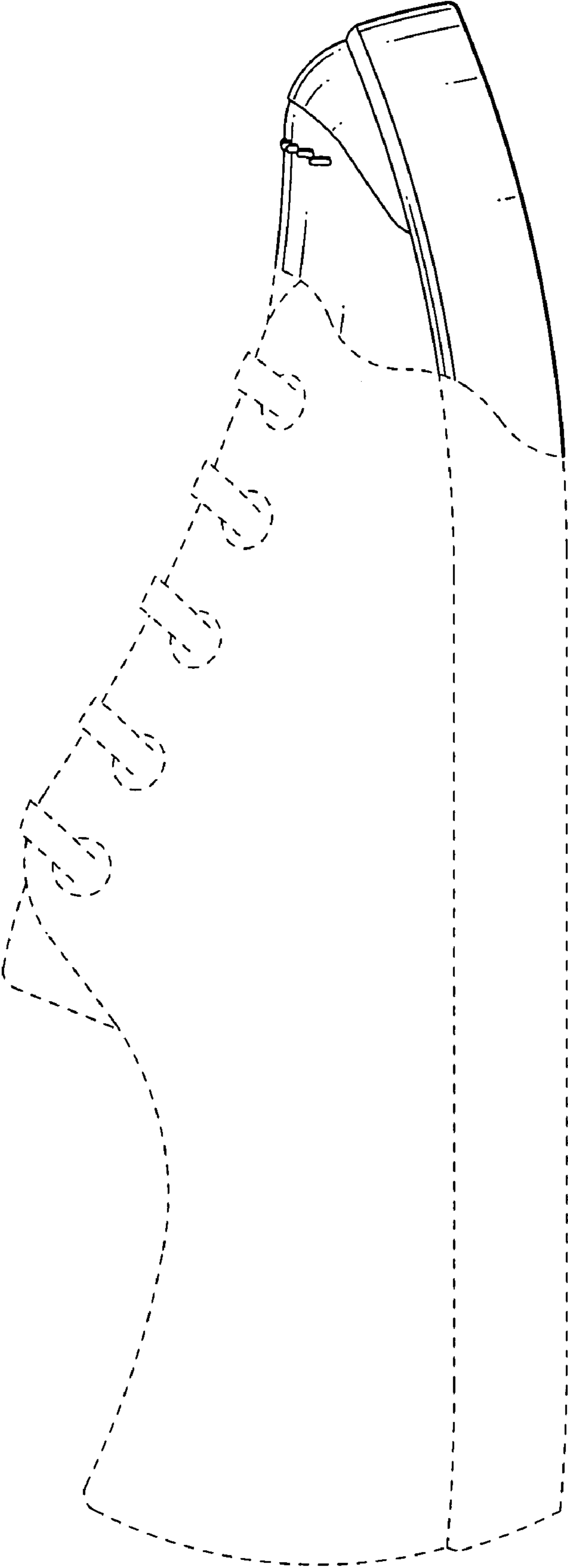


FIG. 2

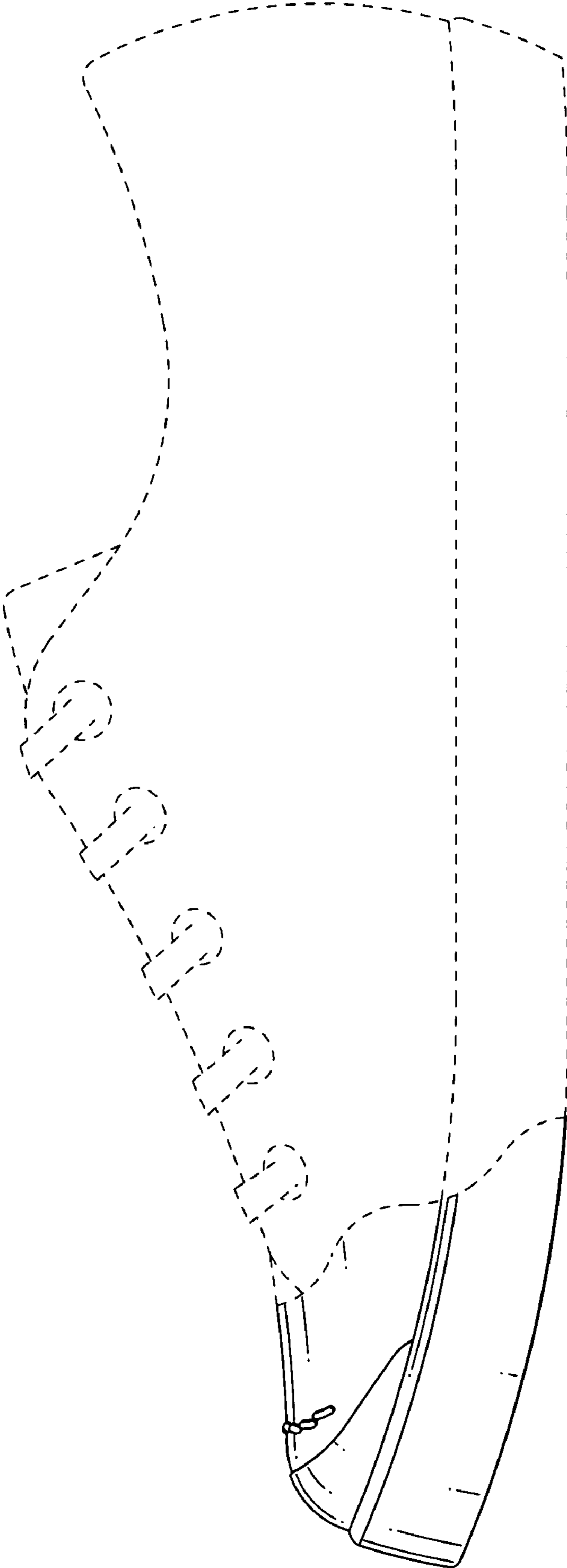


FIG. 3

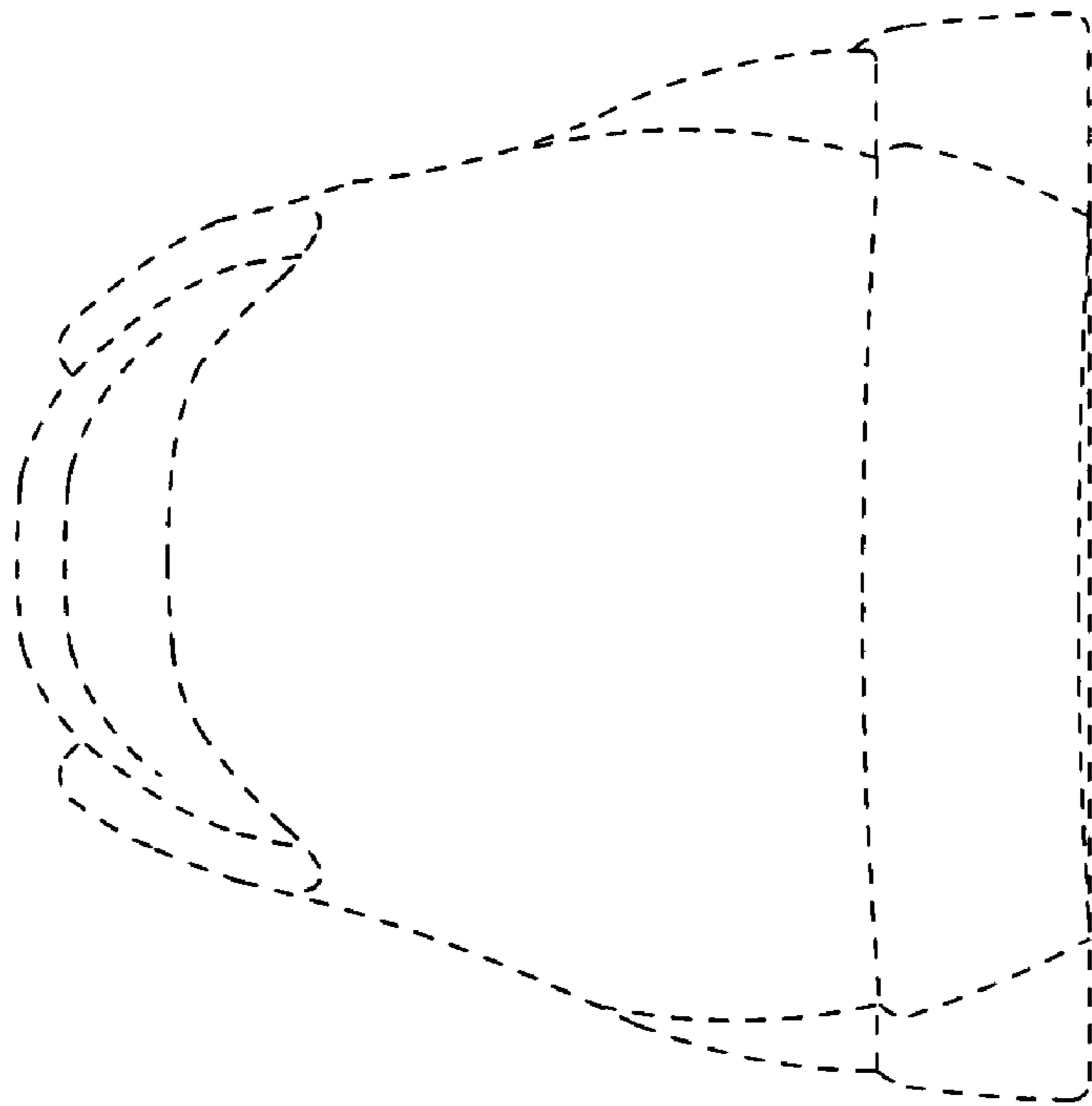


FIG. 5

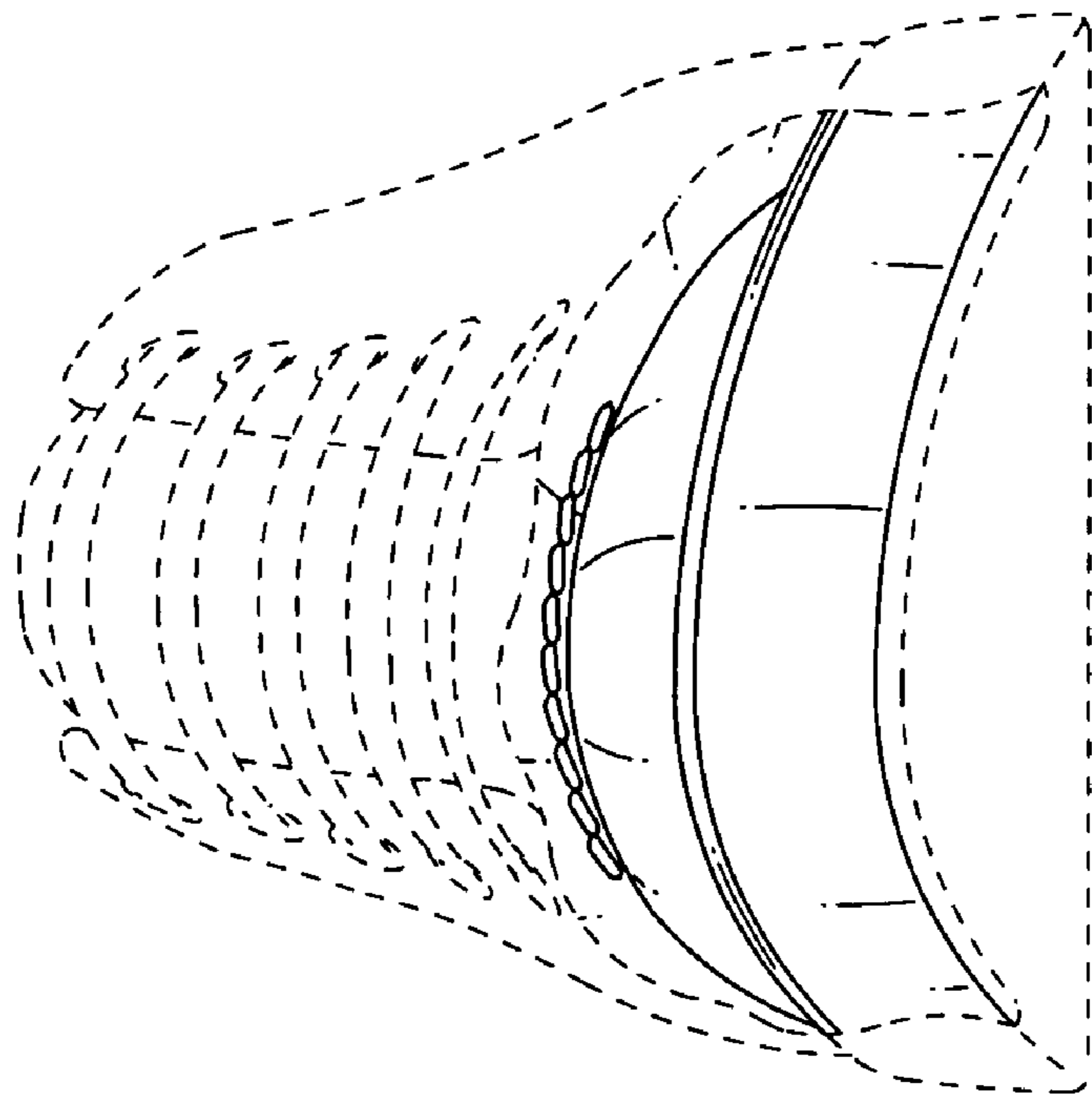


FIG. 4

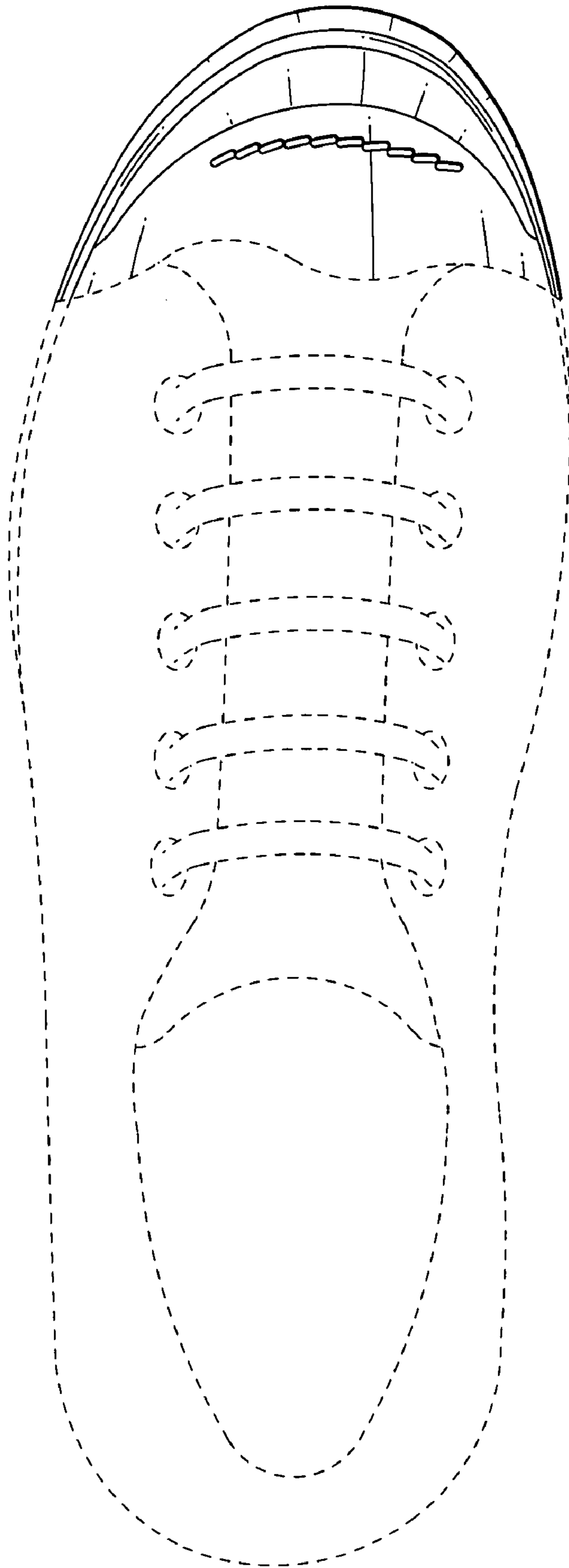


FIG. 6

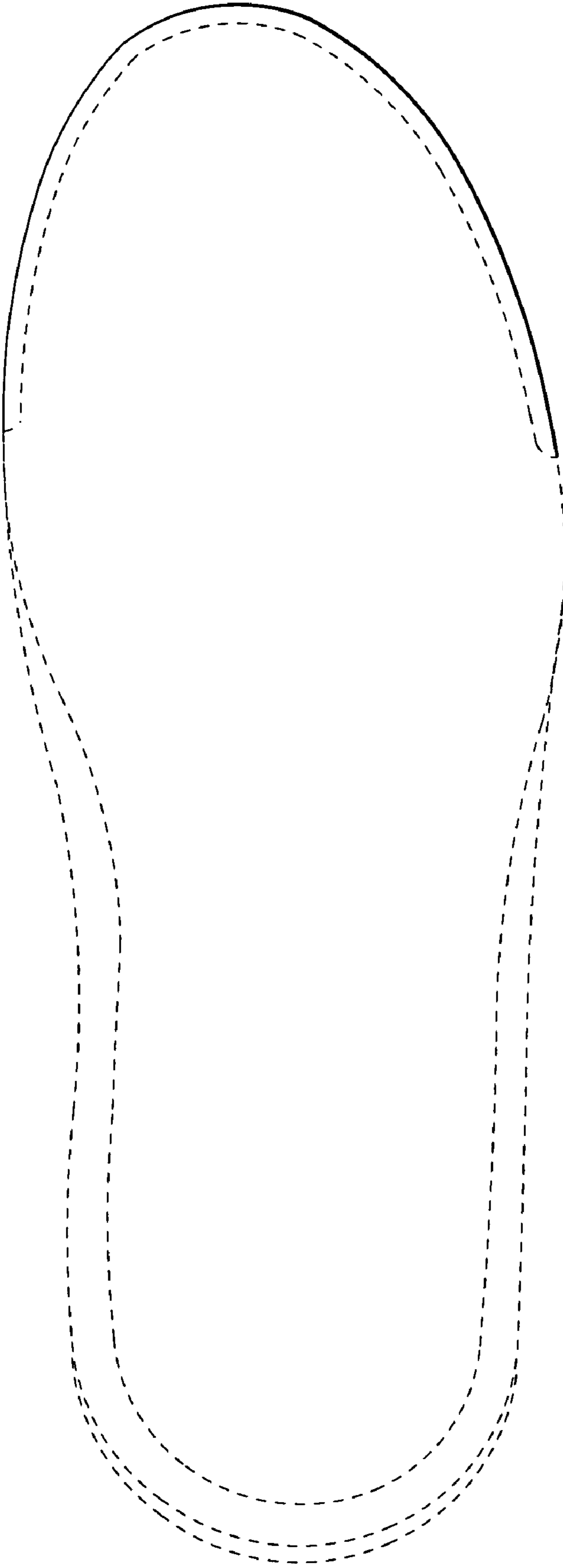


FIG. 7

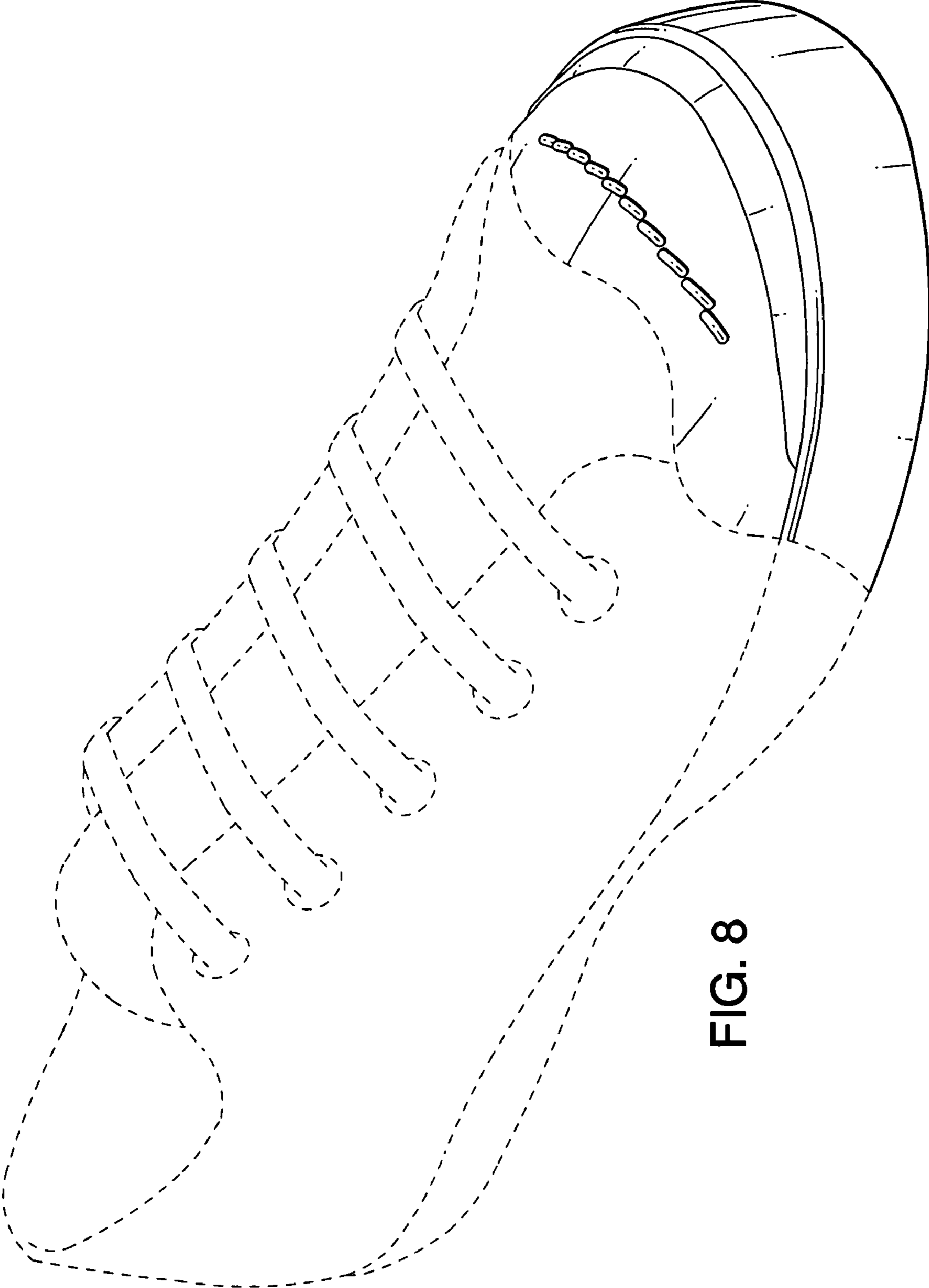


FIG. 8



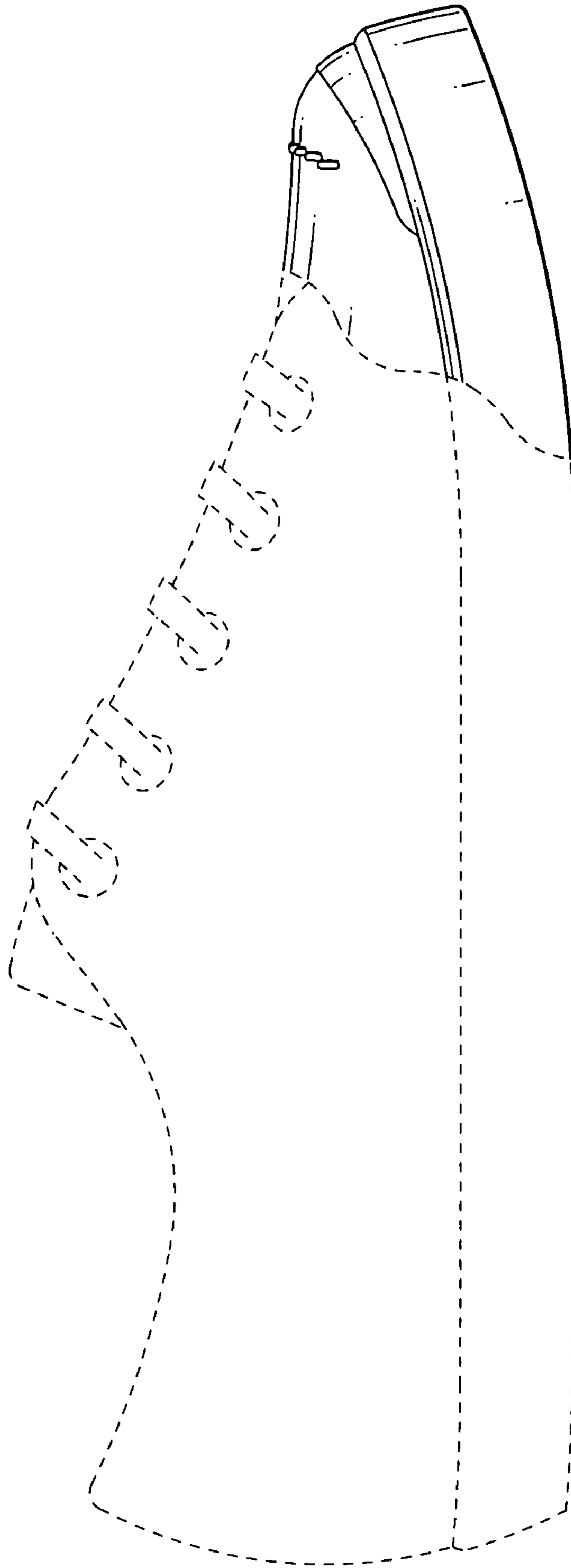


FIG. 9

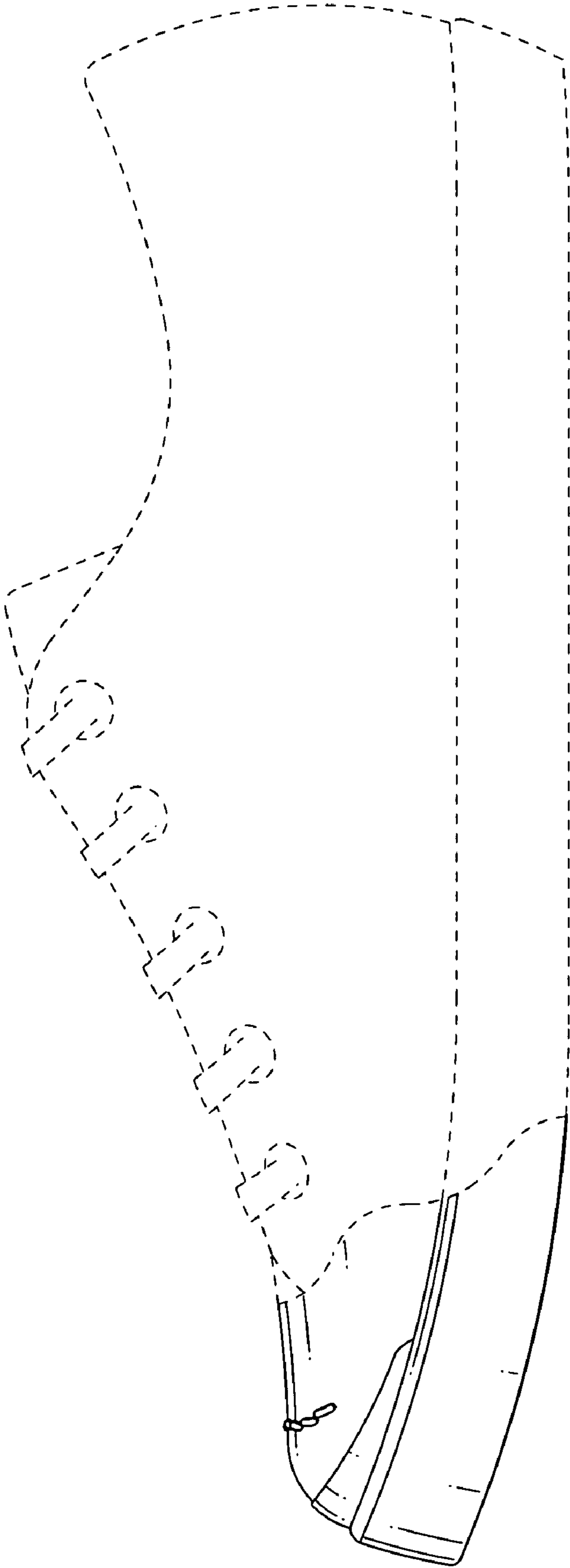


FIG. 10

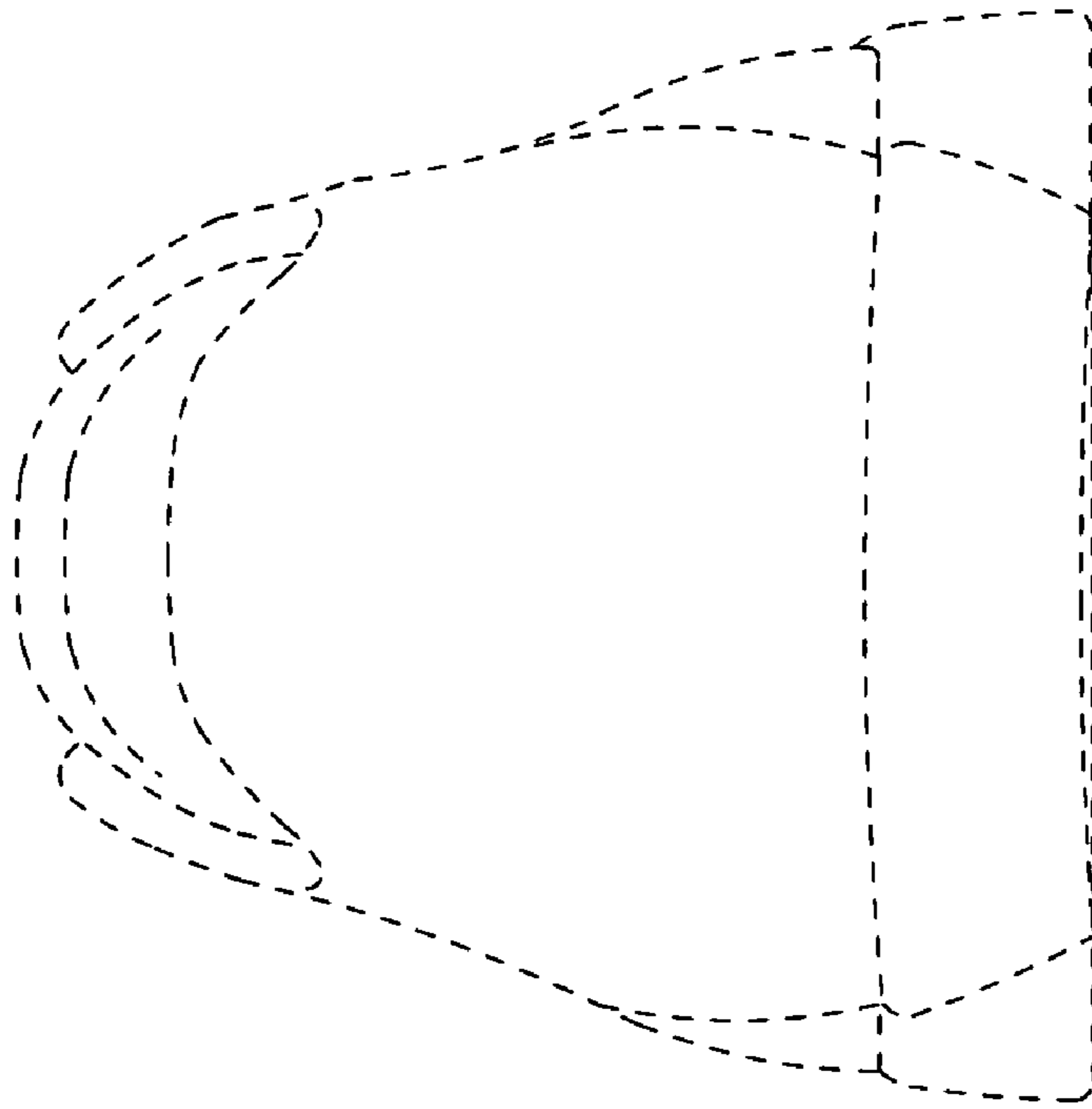


FIG. 12

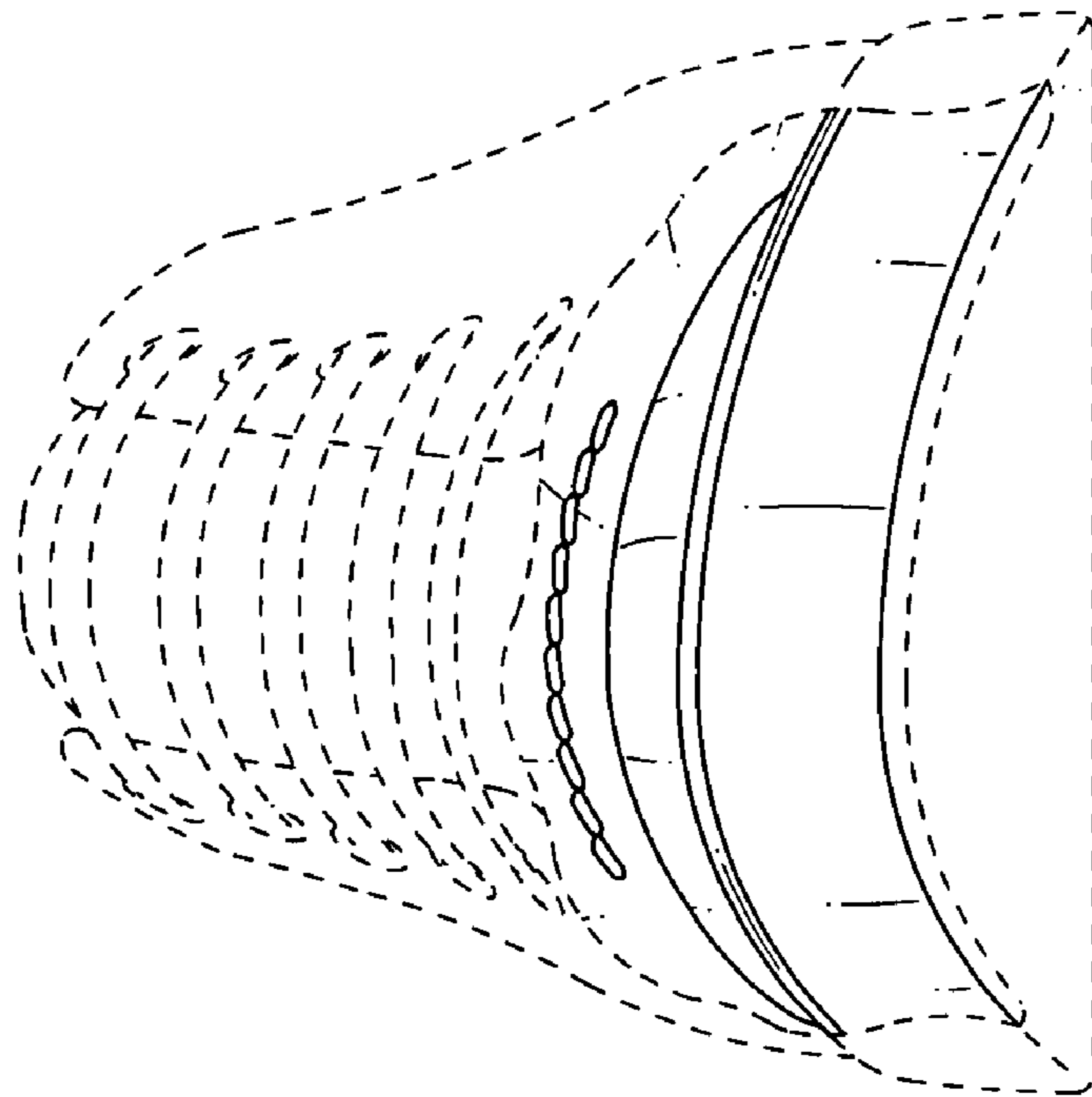


FIG. 11

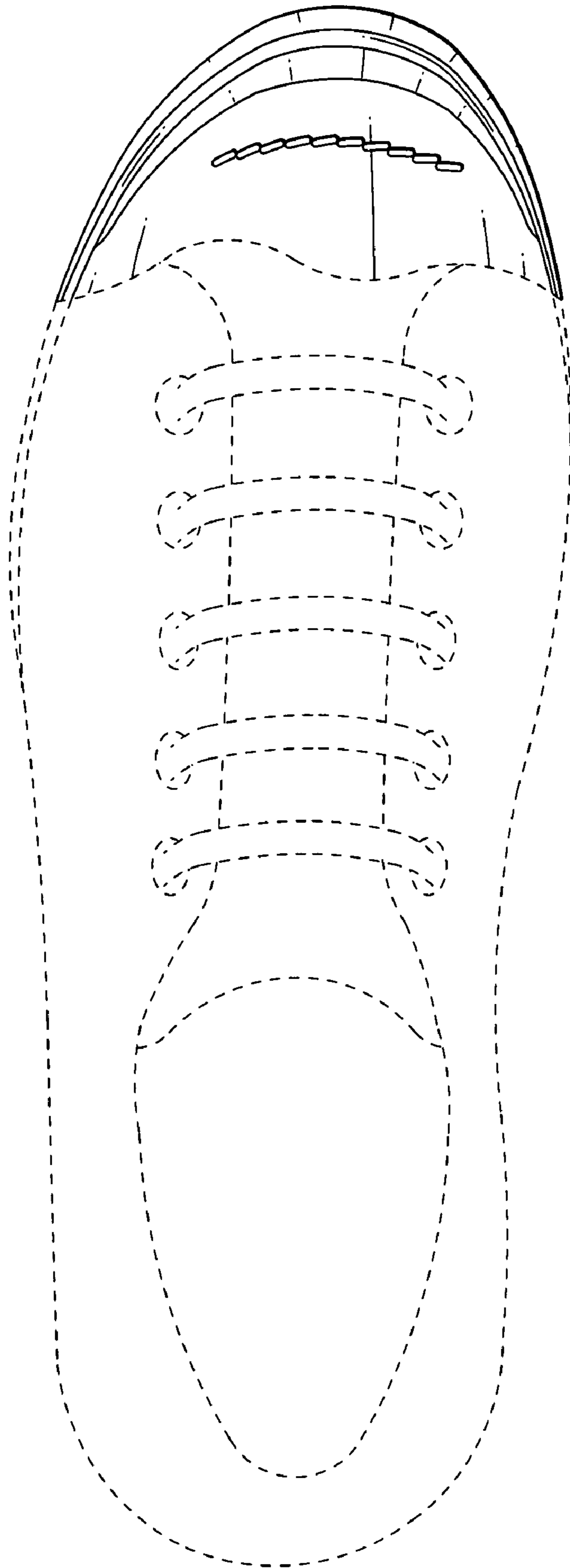


FIG. 13

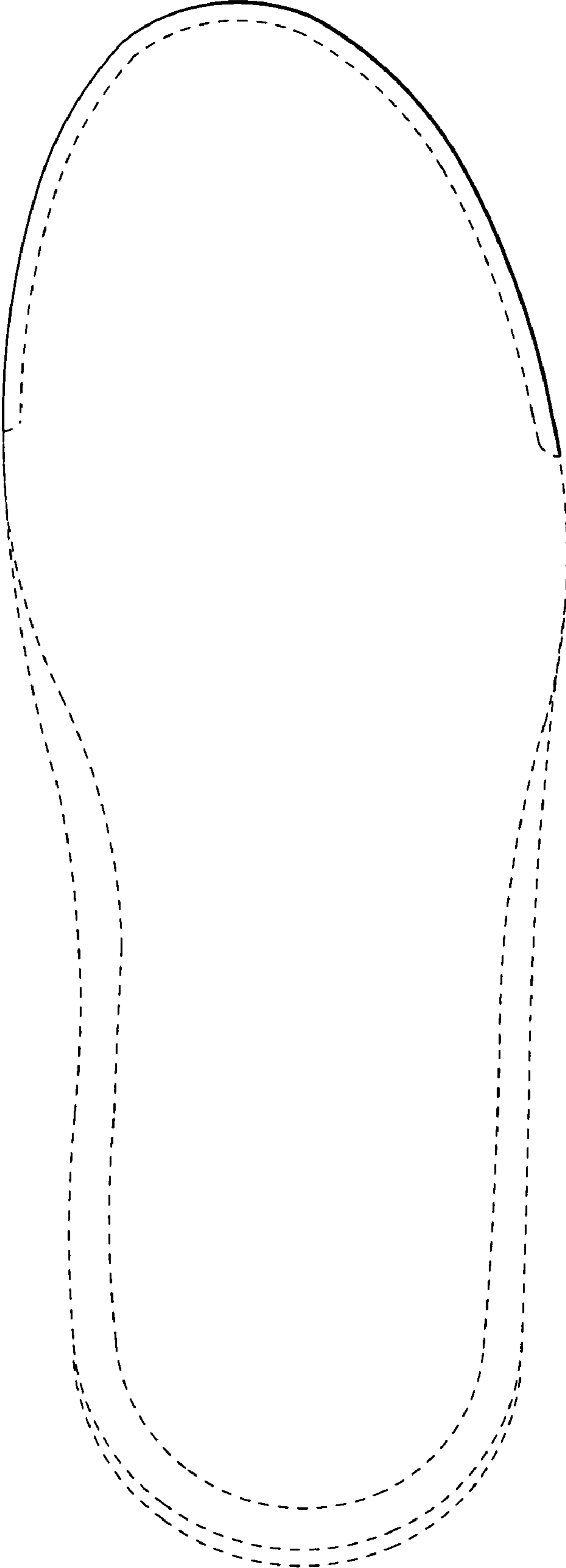


FIG. 14

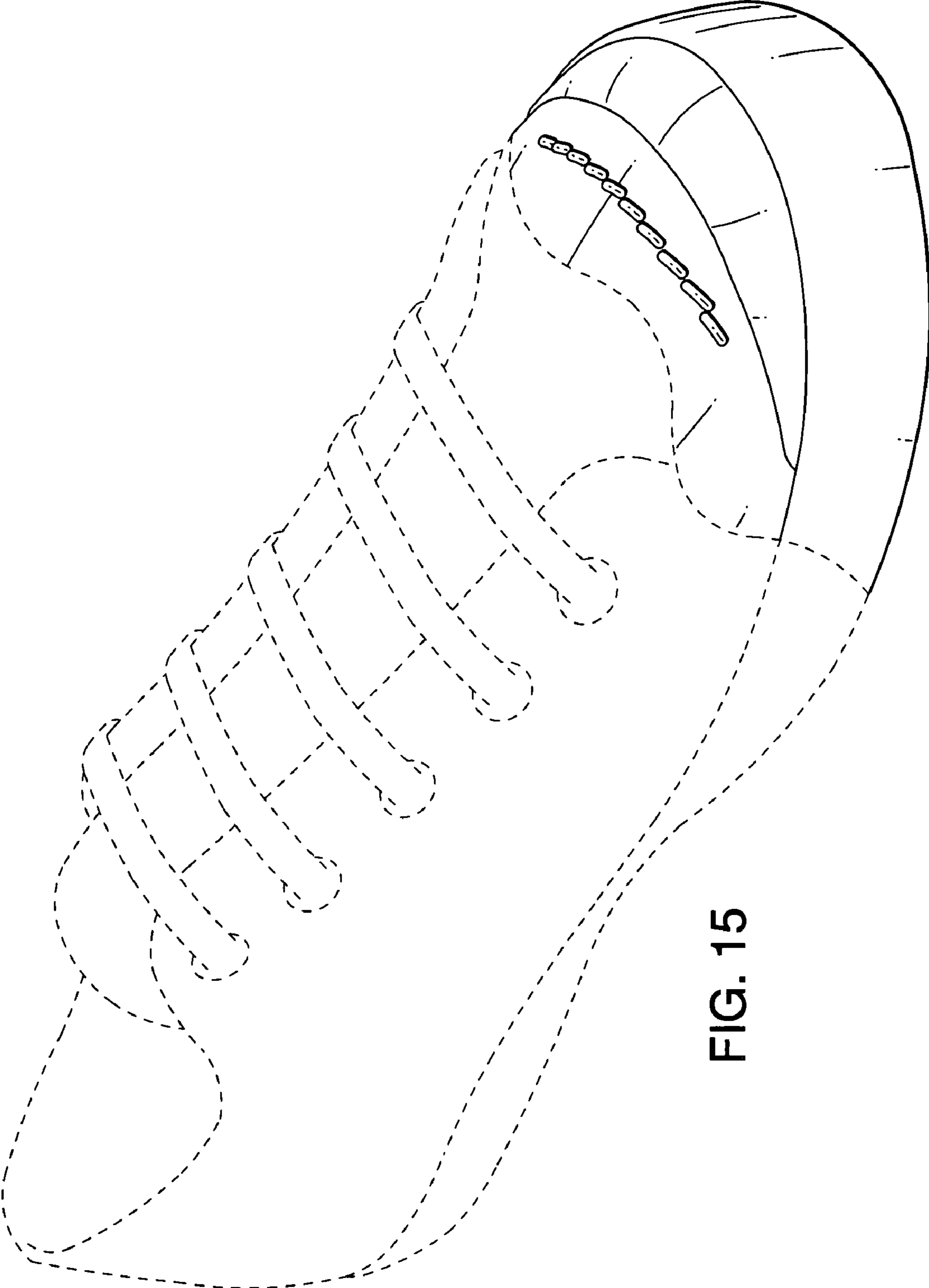


FIG. 15

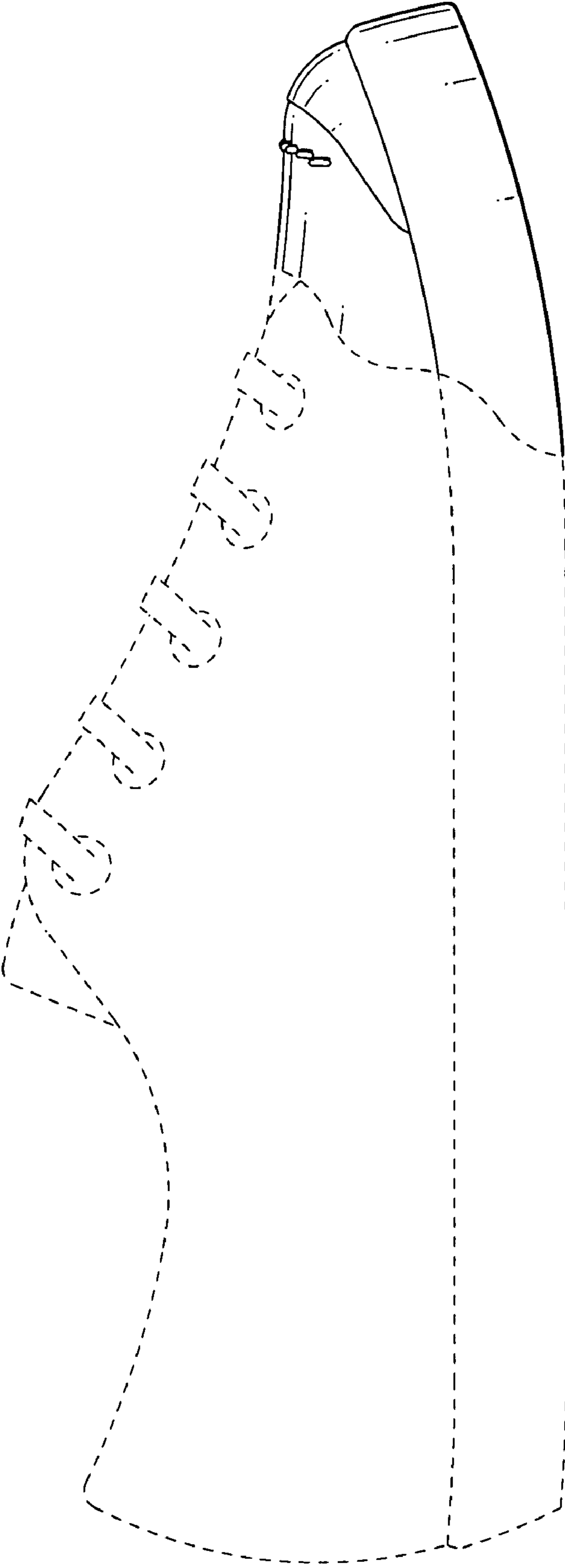


FIG. 16

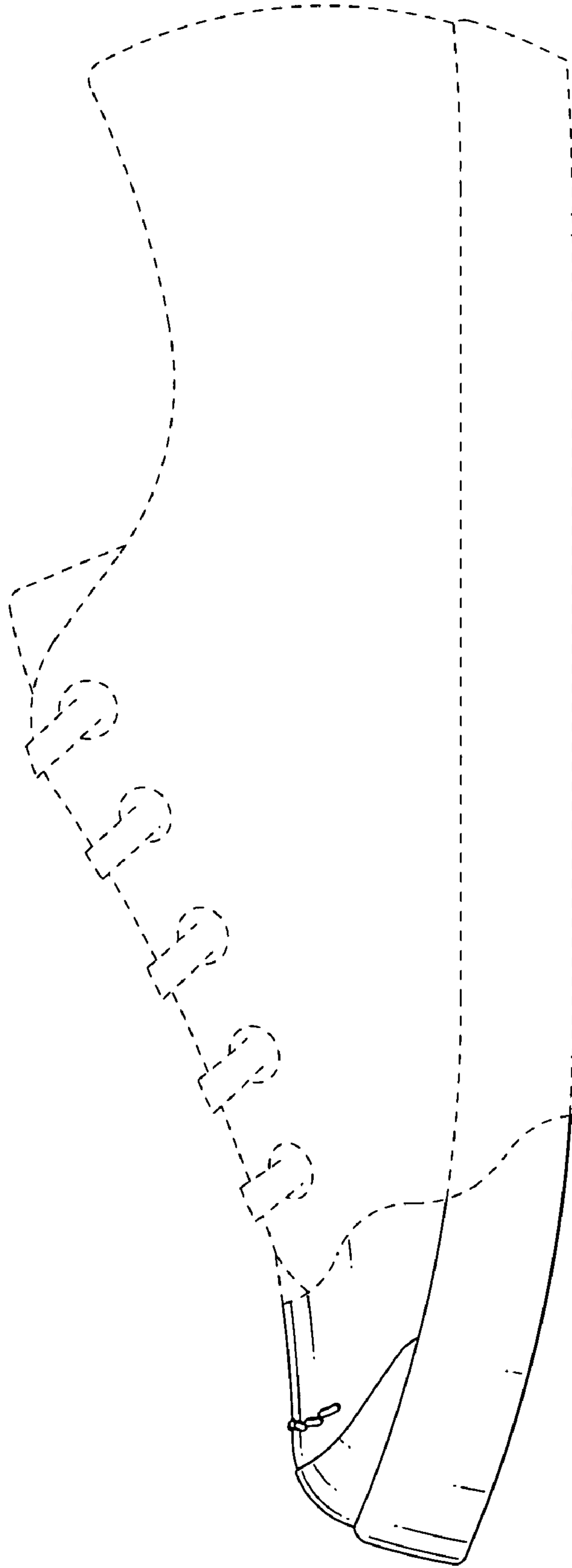


FIG. 17



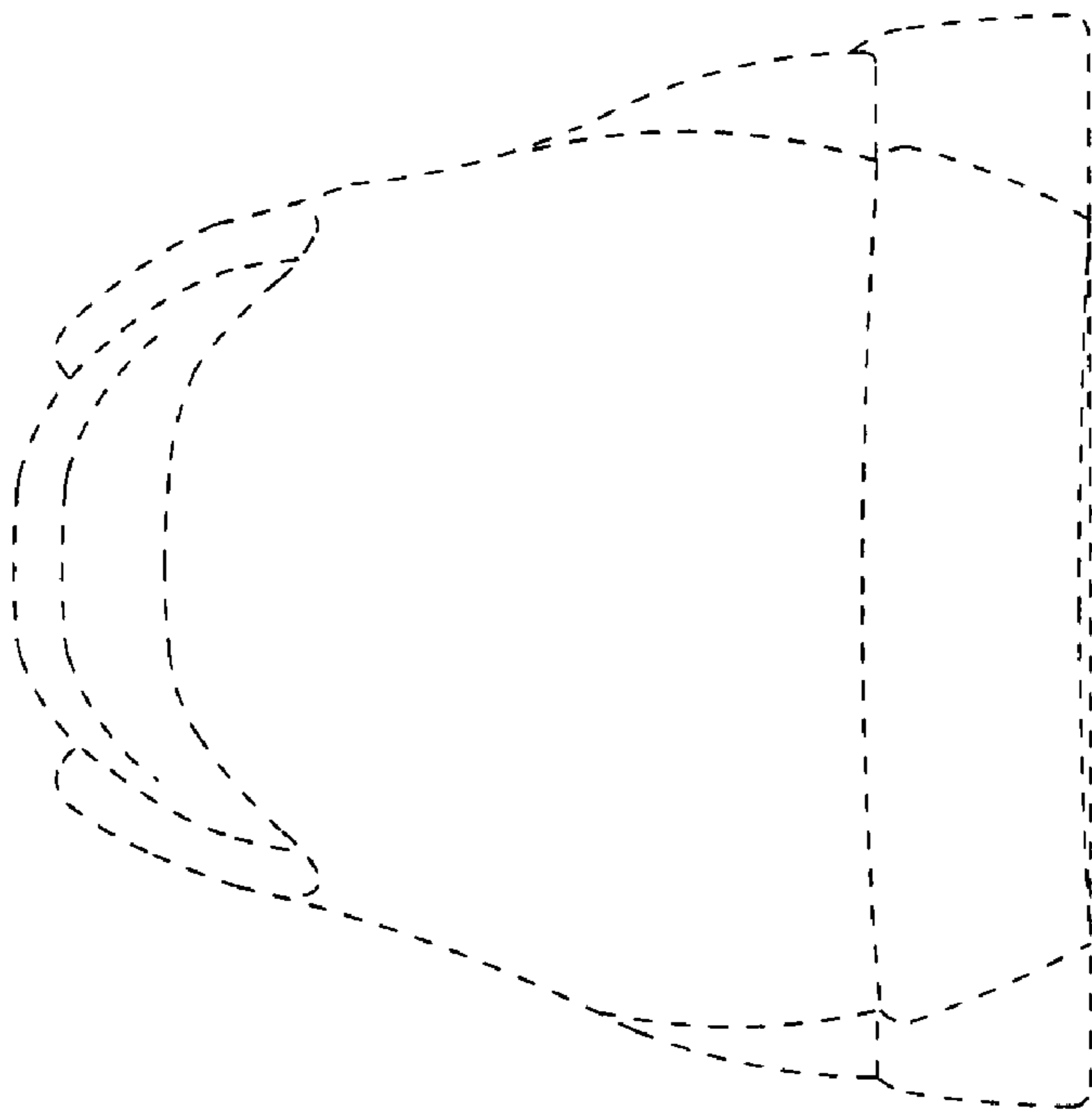


FIG. 19

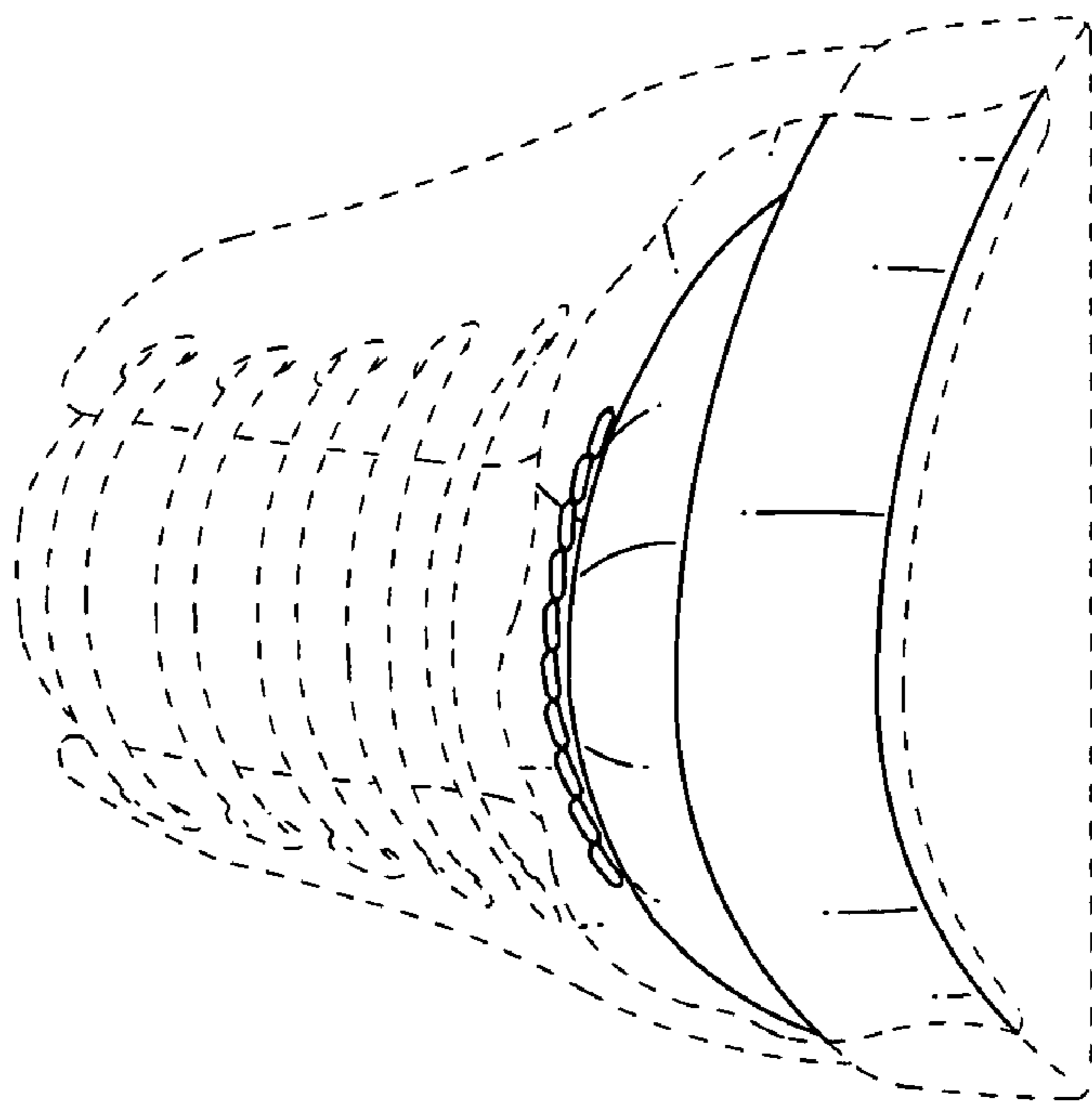


FIG. 18

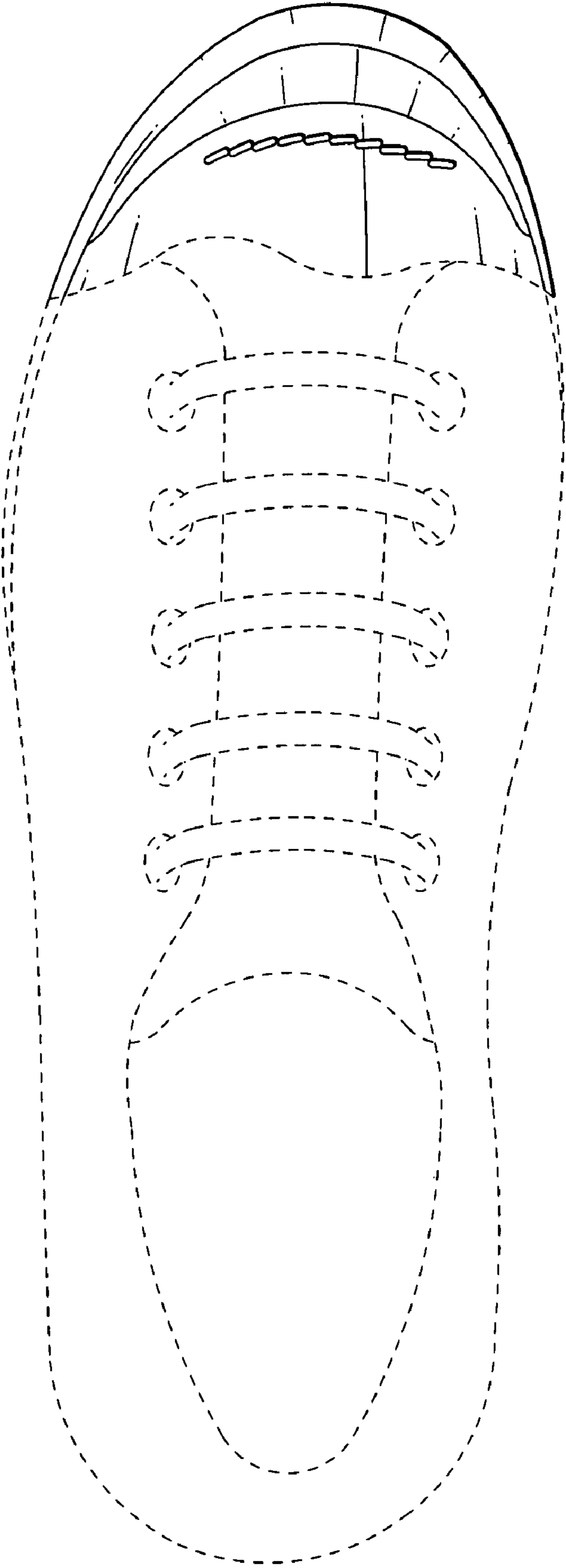


FIG. 20

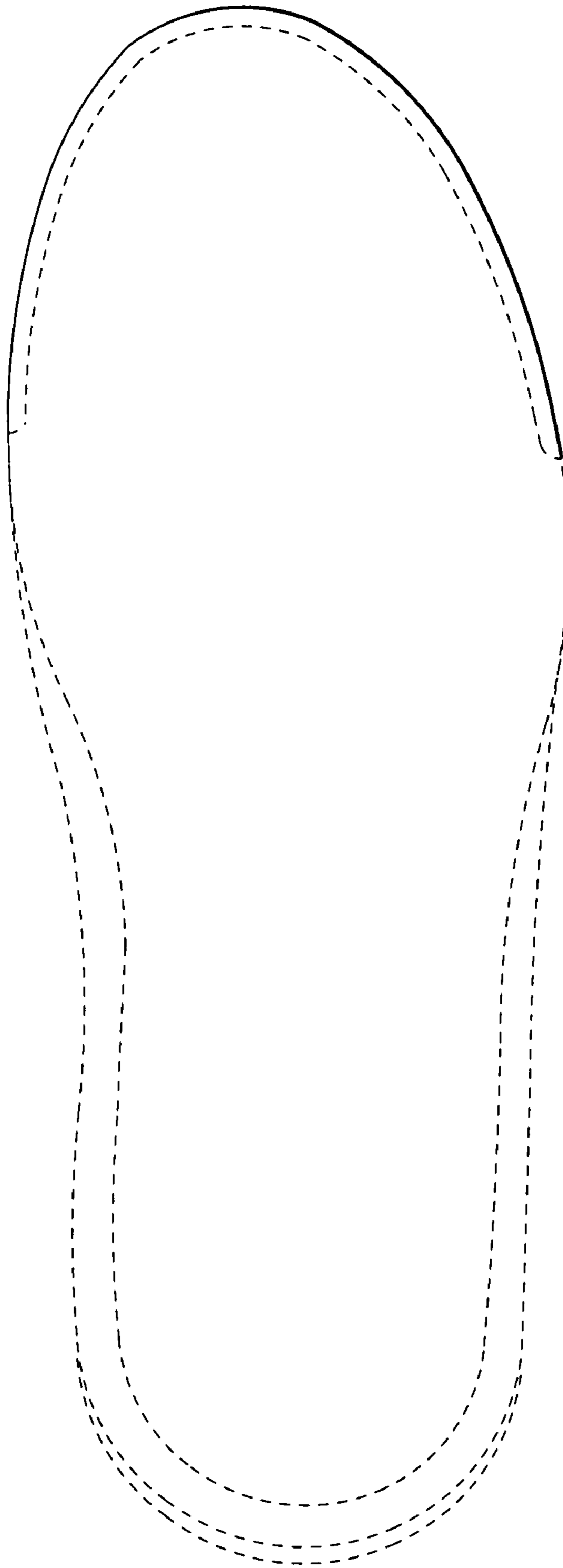


FIG. 21