



US00D576776S

(12) **United States Design Patent**  
**Klacik et al.**

(10) **Patent No.:** **US D576,776 S**  
(45) **Date of Patent:** **\*\* Sep. 16, 2008**

(54) **CONFECTIONERY PRODUCT**

(75) Inventors: **Kenneth Klacik**, Hillsborough, NJ (US);  
**Shefali Deshmukh**, Chicago, IL (US);  
**Egidijus Bizys**, Chicago, IL (US); **John S. Kitt**, Sparta, NJ (US)

(73) Assignee: **Wm. Wrigley Jr. Company**, Chicago, IL (US)

(\*\*) Term: **14 Years**

(21) Appl. No.: **29/250,478**

(22) Filed: **Nov. 16, 2006**

(51) **LOC (8) Cl.** ..... **01-01**

(52) **U.S. Cl.** ..... **D1/127**

(58) **Field of Classification Search** ..... D1/100,  
D1/122, 124, 127, 130, 199; D24/101, 102;  
426/87, 89, 103-104, 129, 138, 144, 249,  
426/660, 383, 512, 808

See application file for complete search history.

(56) **References Cited**

**U.S. PATENT DOCUMENTS**

330,659	A	*	11/1885	Ziegler	.....	426/103
D23,646	S	*	9/1894	Kaltenbach	.....	D1/115
D51,707	S	*	1/1918	Morton	.....	D1/106
D65,933	S	*	11/1924	Schall	.....	D1/127
D88,675	S	*	12/1932	Schoenleber	.....	D1/127
D167,848	S	*	9/1952	Peters	.....	D1/109
3,048,526	A	*	8/1962	Boswell	.....	D24/101
D213,490	S	*	3/1969	Hoover	.....	D1/128
D225,627	S	*	12/1972	Gomel et al.	.....	D24/101
3,800,497	A	*	4/1974	Pearson	.....	426/383

(Continued)

**OTHER PUBLICATIONS**

Product Concepts—Hard candy with an innovative twist, Internet Archive: Wayback Machine. [online] Mar. 25, 2004. Retrieved from the Internet <URL: <http://www.confectionery-innovations.com>>.\*

Modern Packaging, Apr. 1974, cover.\*

Swedish Exporters, Jun. 1990, p. 18.\*

The Confectioner's Art, by the American Craft Museum, © 1988, p. 65.\*

Modern Cake Decorating, by McKinley Wilton and Norman Wilton, Wilton Enterprises, IL, © 1969, p. 129.\*

*Primary Examiner*—Robin V. Webster

*Assistant Examiner*—Karen E Kearney

(74) *Attorney, Agent, or Firm*—Bell, Boyd & Lloyd LLP

(57) **CLAIM**

The ornamental design for a confectionery product, as shown and described.

**DESCRIPTION**

FIG. 1 illustrates a front perspective view of the confectionery product;

FIG. 2 illustrates a front view of the confectionery product of FIG. 1;

FIG. 3 illustrates a rear view of the confectionery product of FIG. 1;

FIG. 4 illustrates a right side view of the confectionery product of FIG. 1;

FIG. 5 illustrates a left side view of the confectionery product of FIG. 1;

FIG. 6 illustrates a top view of the confectionery product of FIG. 1;

FIG. 7 illustrates a bottom view of the confectionery product of FIG. 1;

FIG. 8 illustrates a front perspective view of a second alternative embodiment of the confectionery product;

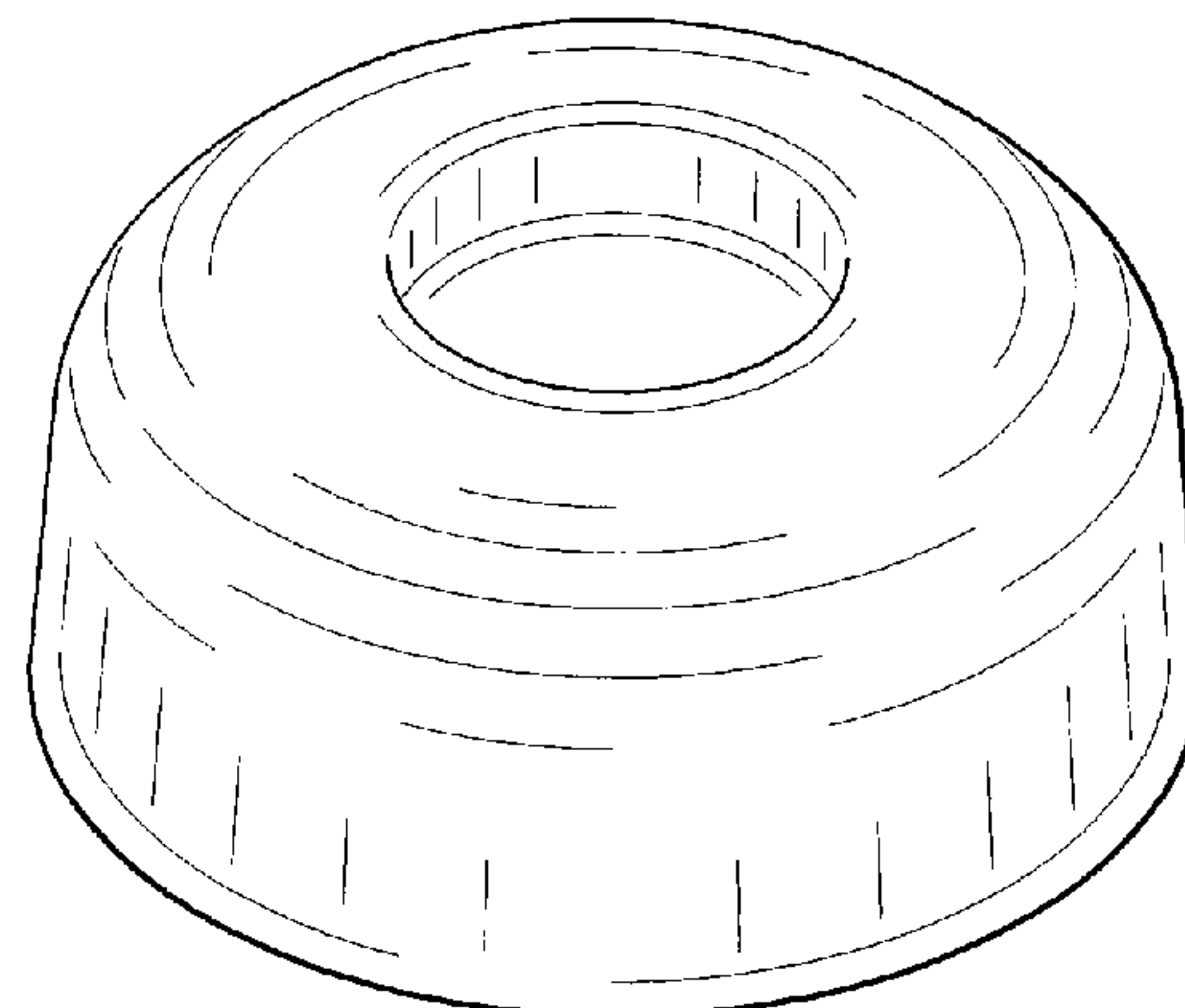
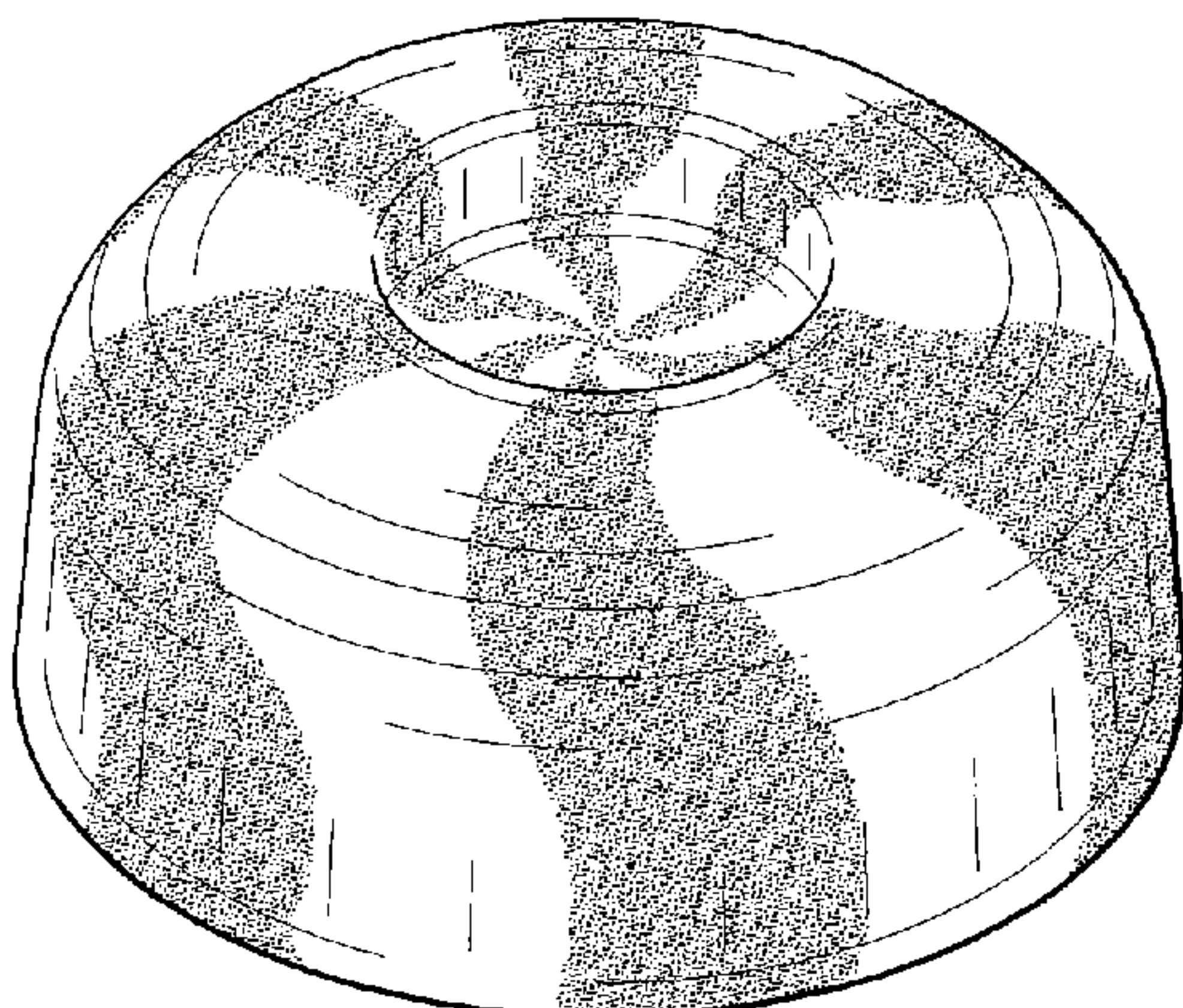
FIG. 9 illustrates a front perspective view of a third alternative embodiment of the confectionery product;

FIG. 10 illustrates a front perspective view of a fourth alternative embodiment of the confectionery product;

FIG. 11 illustrates a front perspective view of a fifth alternative embodiment of the confectionery product; and,

FIG. 12 illustrates a front perspective view of a sixth alternative embodiment of the confectionery product.

**1 Claim, 6 Drawing Sheets**



# US D576,776 S

Page 2

---

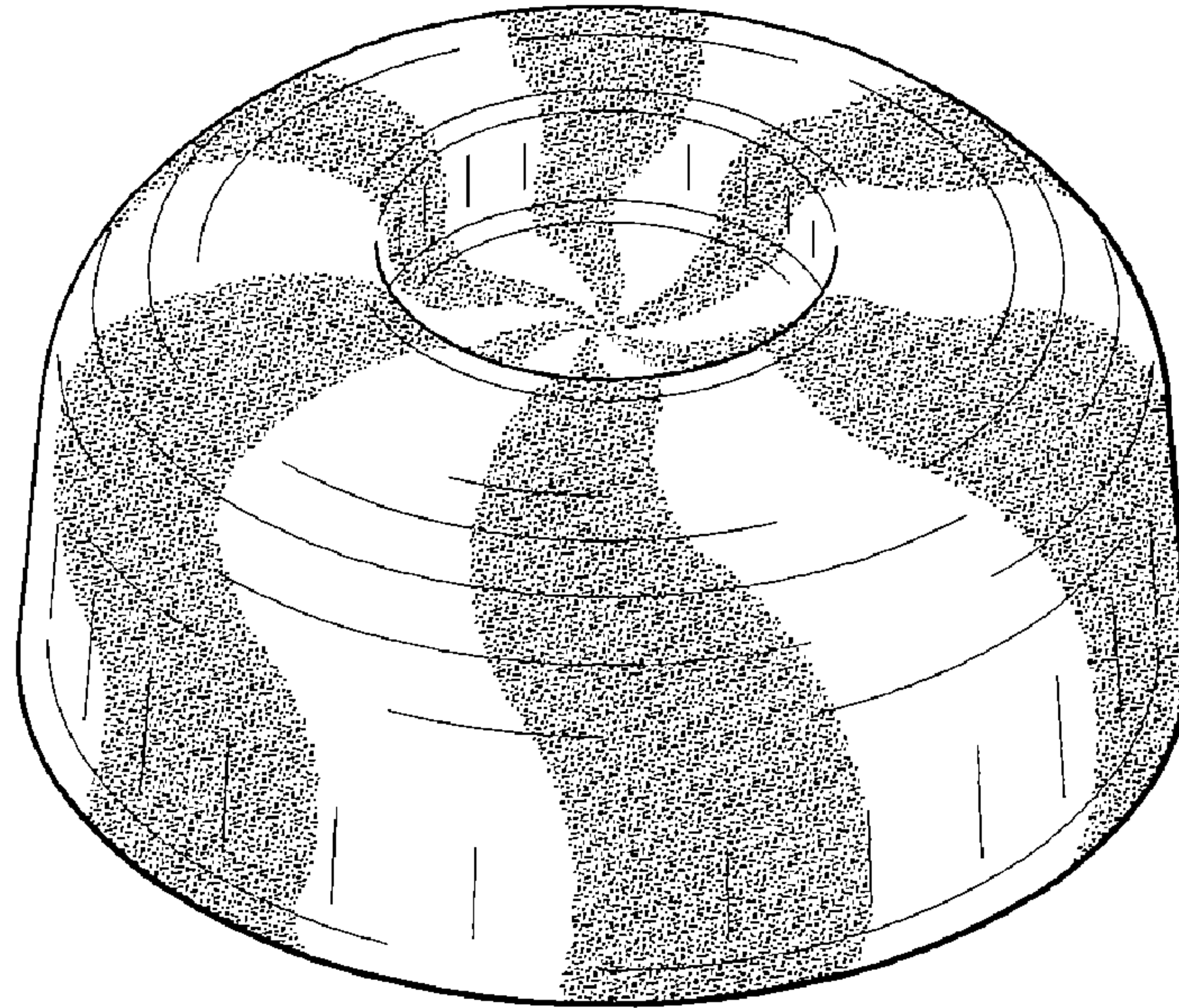
## U.S. PATENT DOCUMENTS

D254,516 S *	3/1980	Meibaum .....	D1/127	D480,201 S *	10/2003	Cotten .....	D1/127
D258,091 S *	1/1981	Reed et al. ....	D24/101	D483,547 S *	12/2003	Norton .....	D1/127
D267,122 S *	11/1982	Scotton et al. ....	D24/101	6,660,317 B1 *	12/2003	Akutagawa .....	426/249
D396,337 S *	7/1998	Waggoner .....	D1/127	D485,421 S *	1/2004	Norton .....	D1/127
D396,537 S *	8/1998	Stanton .....	D1/127	2003/0219527 A1 *	11/2003	Sasaki et al. ....	426/660
6,099,880 A	8/2000	Klacik et al.		2005/0058748 A1 *	3/2005	Bourguignon et al. ....	426/130
6,200,125 B1 *	3/2001	Akutagawa .....	426/512	2005/0095324 A1 *	5/2005	Santana Suarez et al. ...	426/119
D447,835 S *	9/2001	Whitaker et al. ....	D1/130	2008/0095899 A1 *	4/2008	Fornaguera .....	426/103
D478,706 S *	8/2003	Cotten .....	D1/127				

\* cited by examiner



**FIG.1**



**FIG.2**

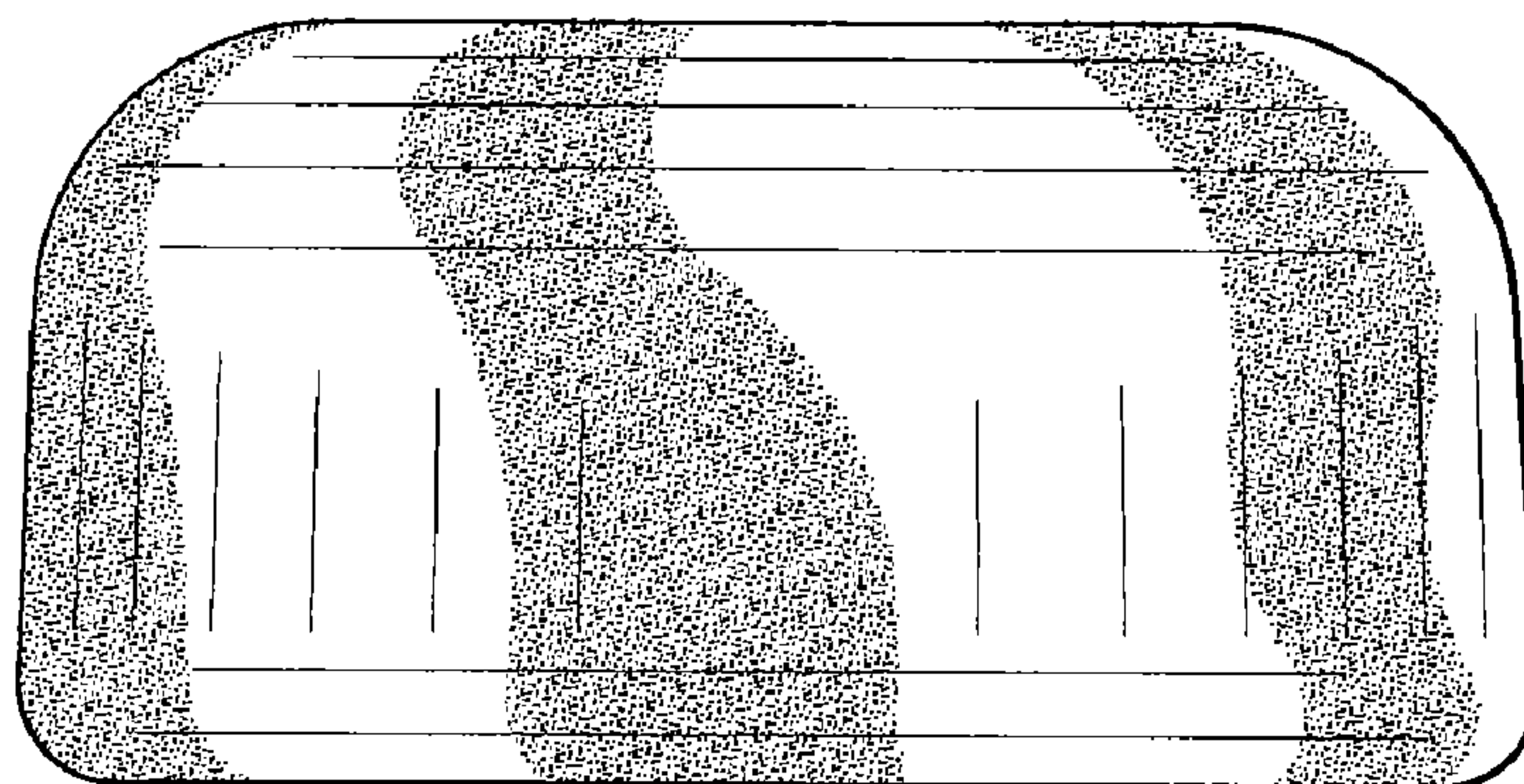


FIG.3

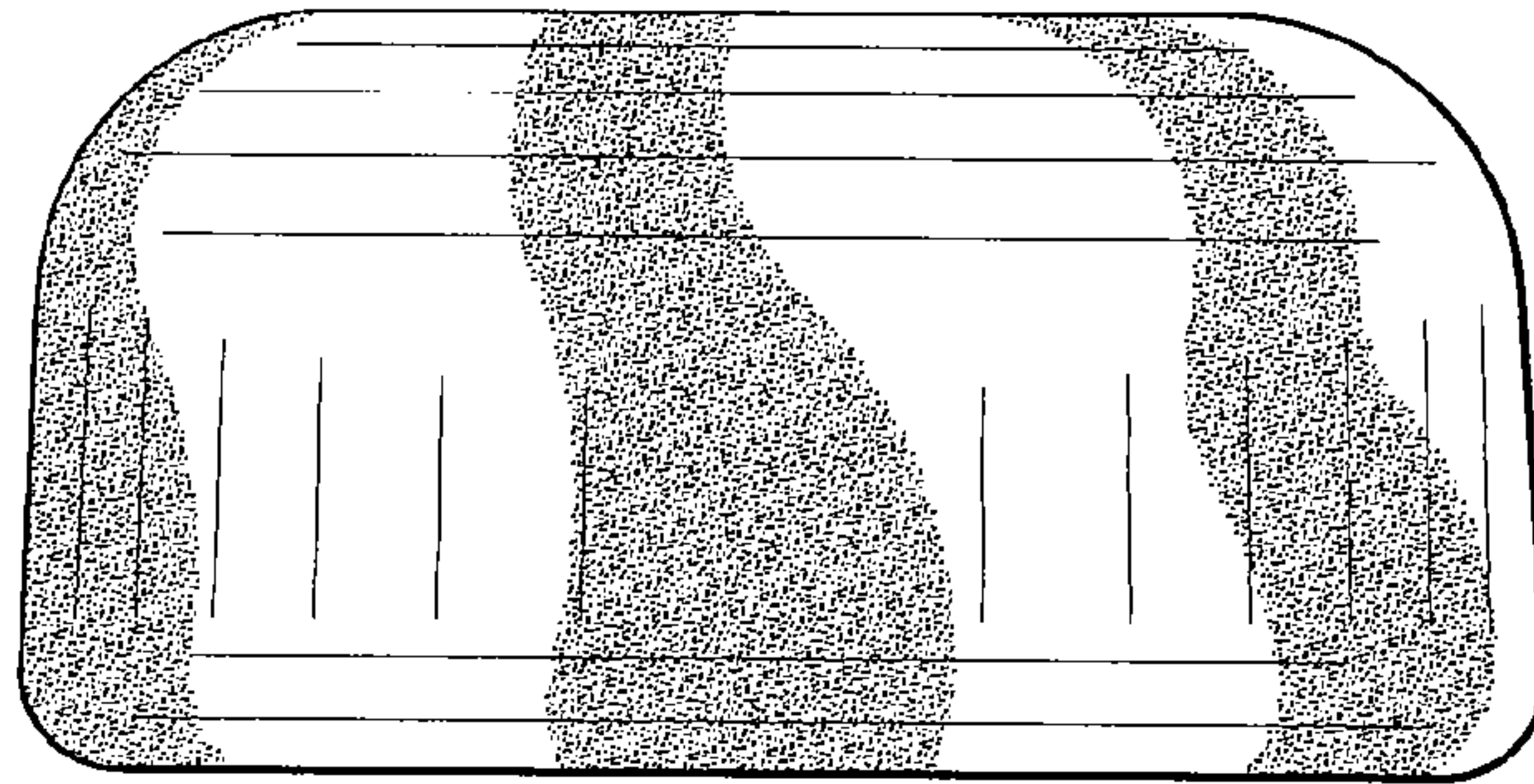


FIG.4

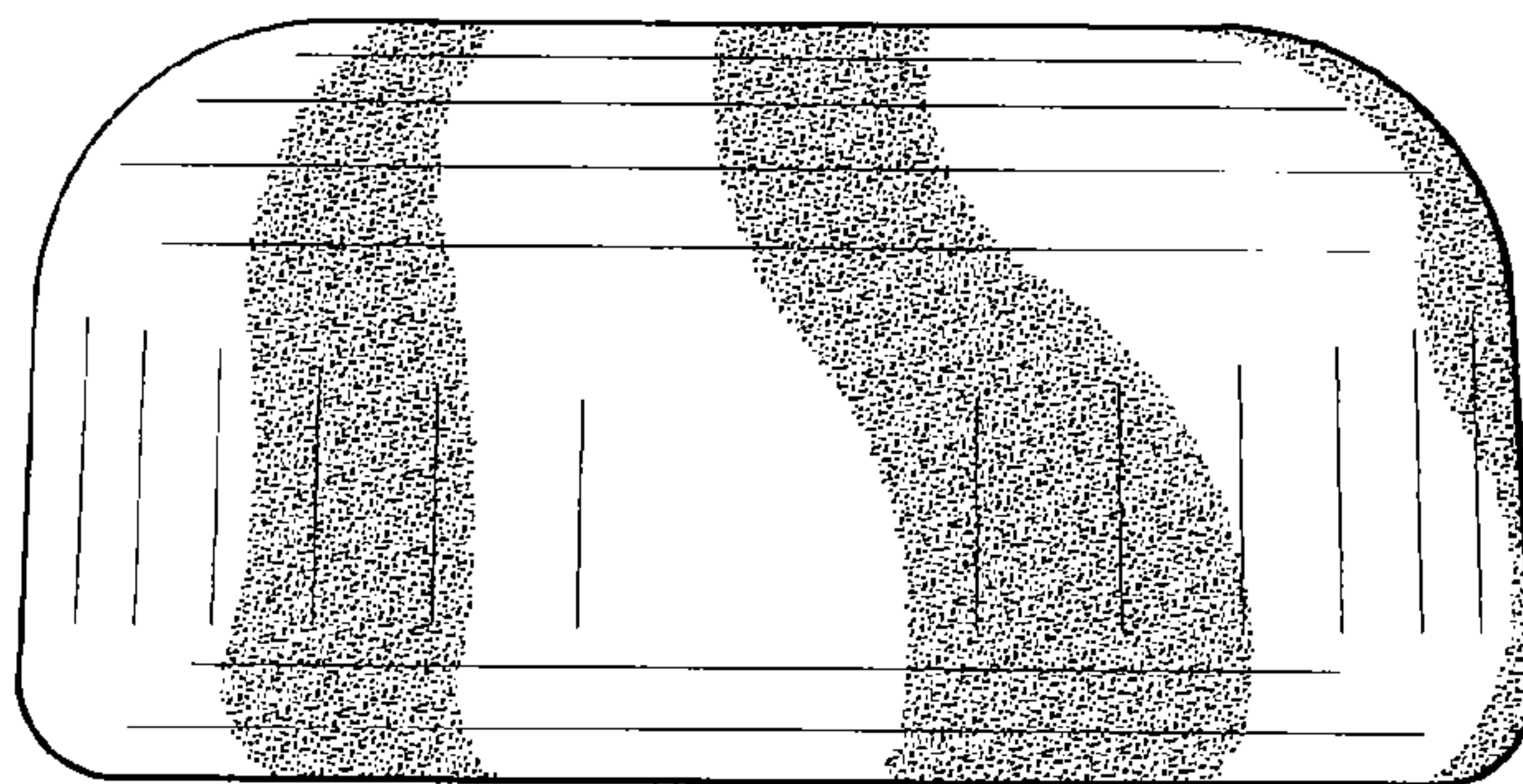


FIG.5





FIG. 6

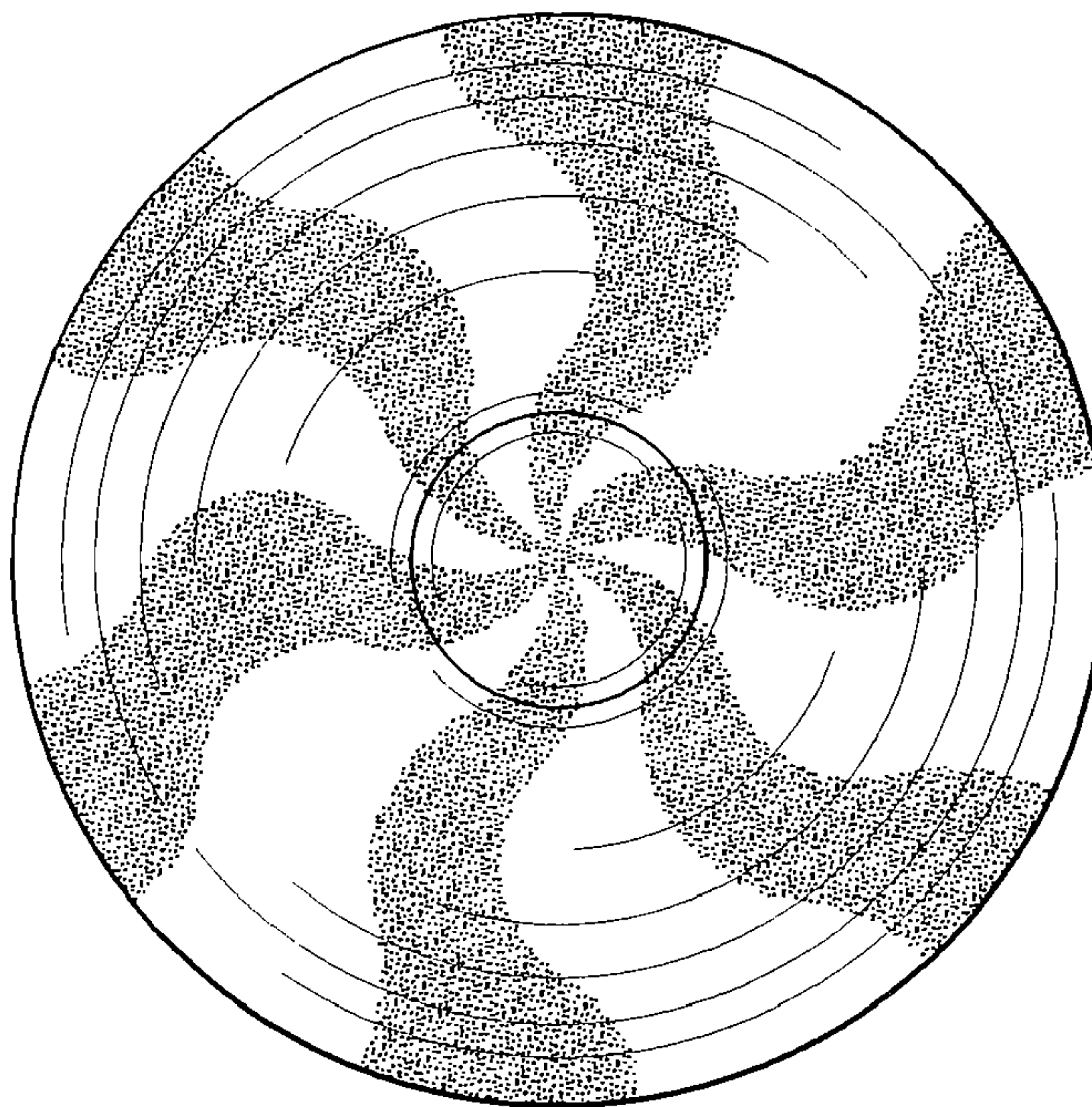


FIG. 7

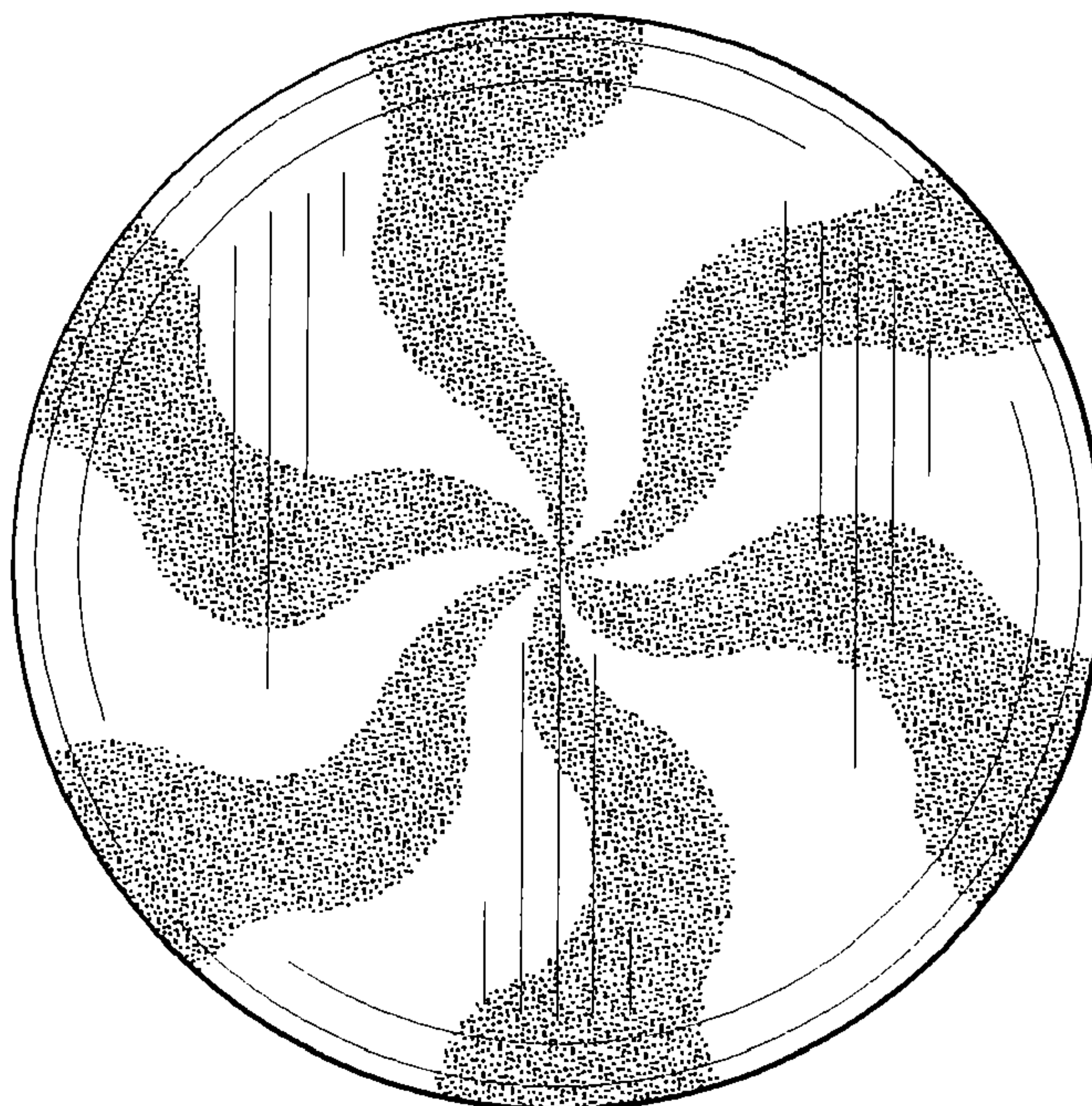


FIG. 8

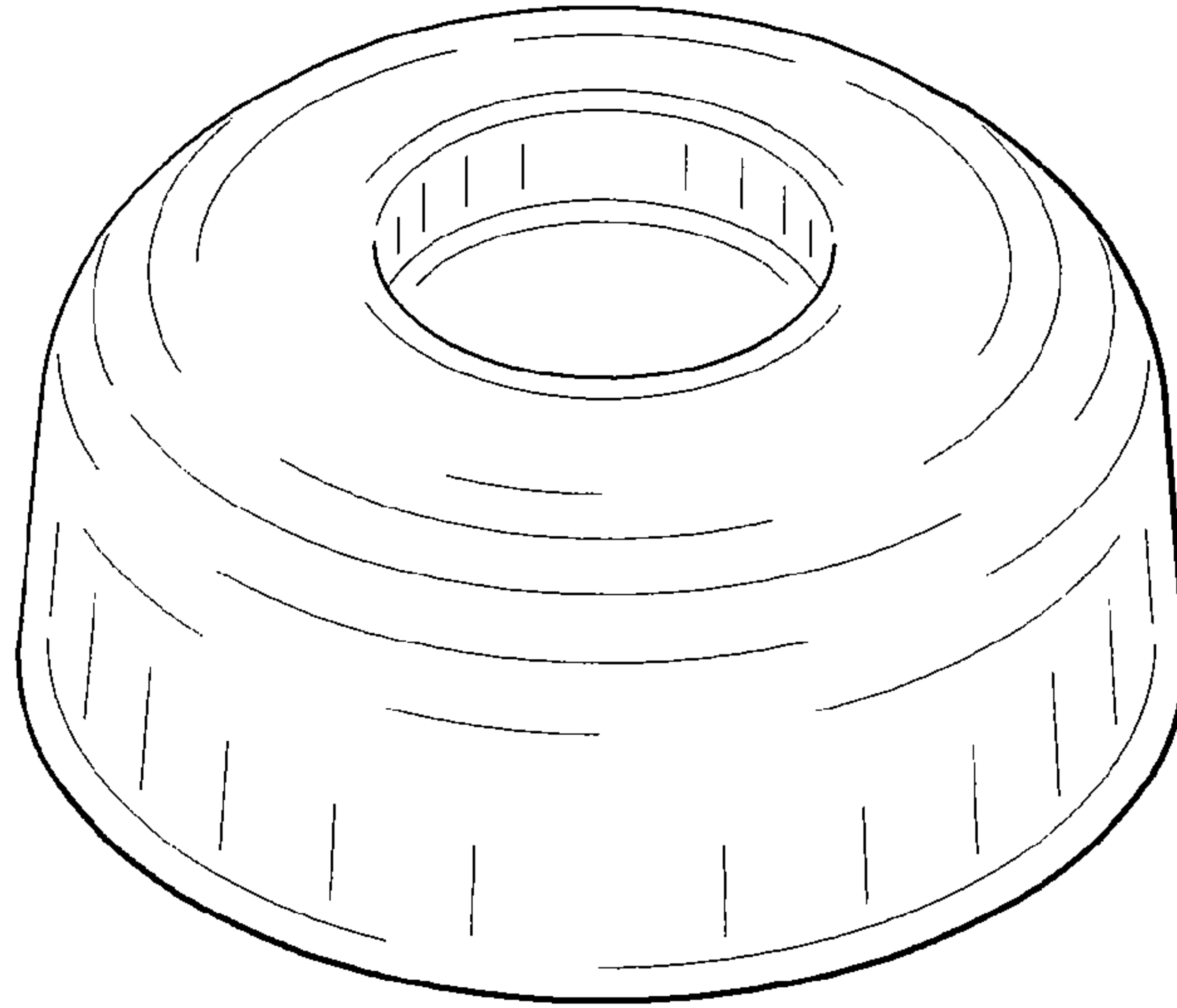


FIG. 9

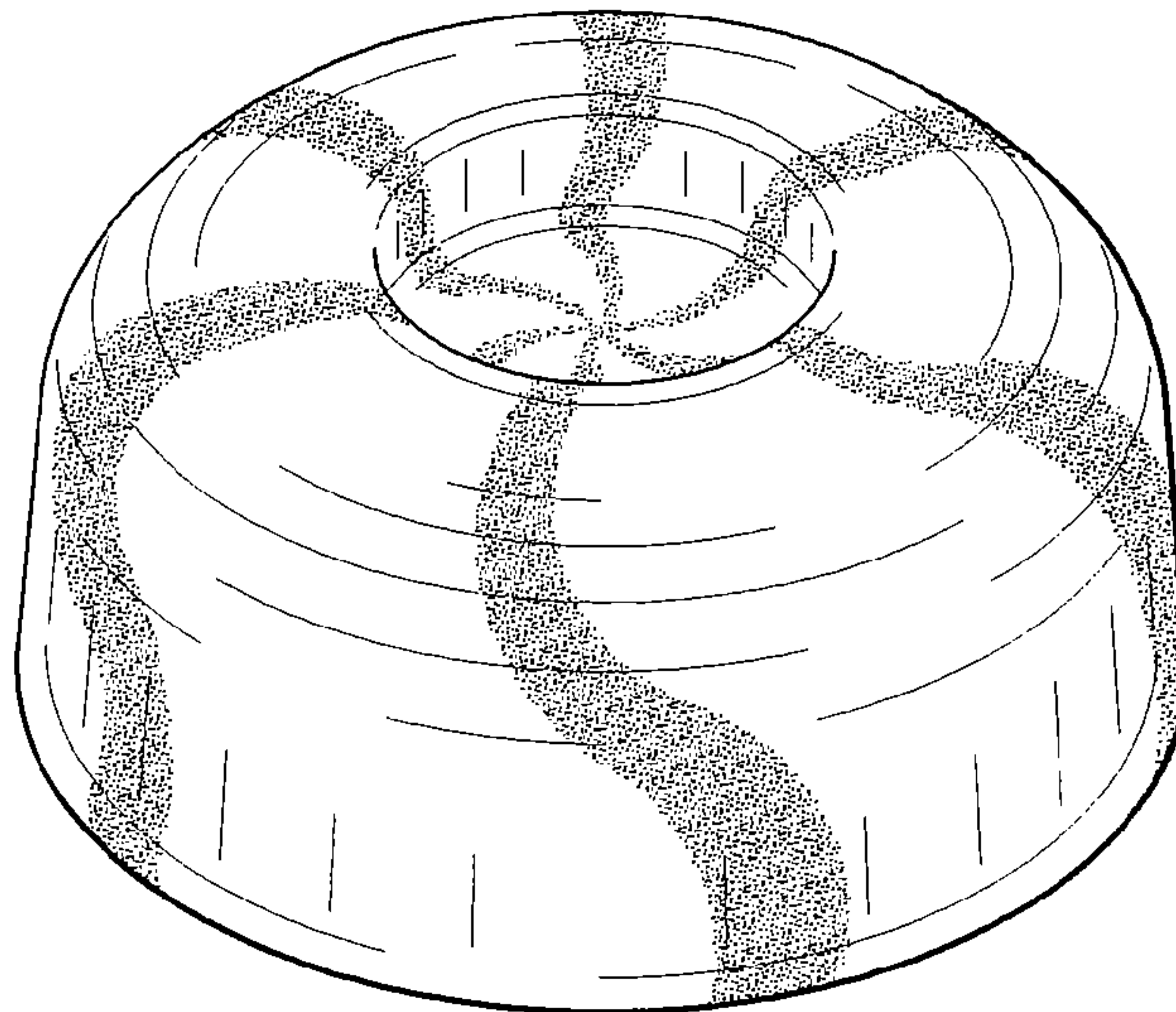




FIG.10

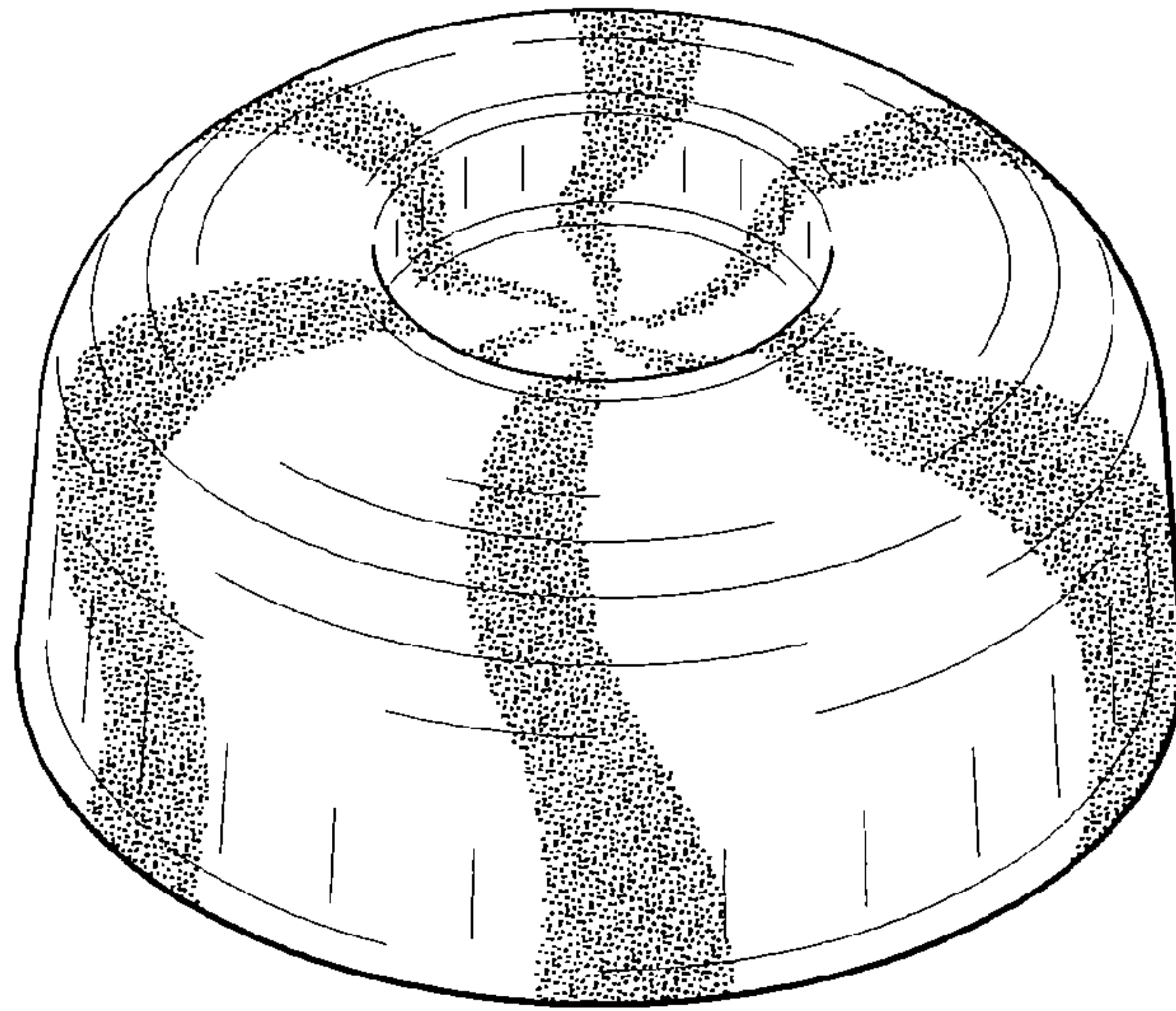
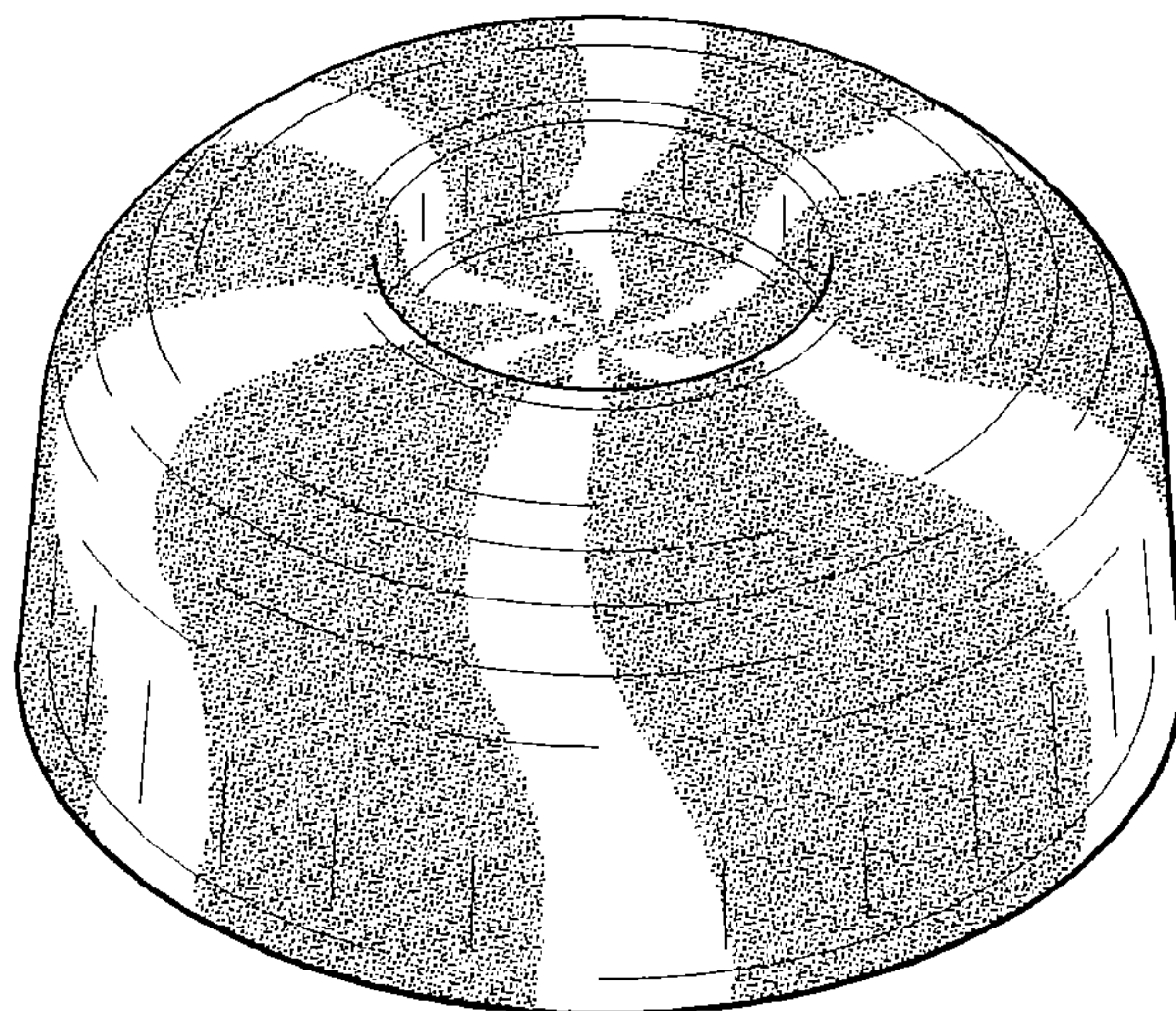


FIG.11



**FIG.12**

