



US00D576775S

(12) **United States Design Patent**  
**Buchmann et al.**

(10) **Patent No.:** **US D576,775 S**  
(45) **Date of Patent:** **\*\* Sep. 9, 2008**

(54) **COUNTERWEIGHT FOR A FORK LIFT TRUCK**

D557,872 S \* 12/2007 Mori et al. .... D34/35

(75) Inventors: **Juergen Buchmann**, Duisburg (DE);  
**Dean E. Davis**, Troy, OH (US); **David W. Fox**, Greenville, OH (US); **Michael P. Gallagher**, Greenville, OH (US); **Eric J. Hanson**, Dunlap, IL (US); **Jason R. Lesko**, Cincinnati, OH (US); **Jeffrey T. Mauch**, New Bremen, OH (US)

(73) Assignee: **Crown Equipment Corporation**, New Bremen, OH (US)

(\*\*) Term: **14 Years**

(21) Appl. No.: **29/281,942**

(22) Filed: **Jul. 6, 2007**

(51) **LOC (8) Cl.** ..... **12-05**

(52) **U.S. Cl.** ..... **D34/35; D34/34**

(58) **Field of Classification Search** ..... D34/34,  
D34/35; 414/785, 592, 640; 180/89.14,  
180/89.17, 89.18, 89.19, 12, 194; 187/222,  
187/237, 238

See application file for complete search history.

(56) **References Cited**

**U.S. PATENT DOCUMENTS**

D242,337 S *	11/1976	Priester et al.	.....	D34/37
5,071,187 A	12/1991	Smith et al.		
D346,259 S	4/1994	Laatsch		
D369,010 S *	4/1996	Soederberg	.....	D34/34
D386,875 S	11/1997	Kim		
D395,532 S	6/1998	Kim		
D396,928 S	8/1998	Hahn et al.		
D441,936 S	5/2001	Brandt et al.		
D448,136 S *	9/2001	Yurushi et al.	.....	D34/34
D466,268 S	11/2002	Kraimer et al.		
D466,669 S	12/2002	Kraimer et al.		
D470,990 S	2/2003	Han et al.		
D471,340 S	3/2003	Shibata et al.		
D492,831 S *	7/2004	Kouyama	.....	D34/34
7,014,007 B2	3/2006	Iwamoto		

**OTHER PUBLICATIONS**

Crown specification brochure entitled Crown FC 4500 Series Sit-down Rider Lift Truck, USA, 2 pgs.

(Continued)

*Primary Examiner*—Cynthia E Ramirez  
(74) *Attorney, Agent, or Firm*—Stevens & Showalter LLP

(57) **CLAIM**

The ornamental design for a counterweight for a fork lift truck, as shown and described.

**DESCRIPTION**

FIG. 1 is a perspective view of a first embodiment of a counterweight for a fork lift truck as seen from the top, rear and left sides showing our new design;

FIG. 2 is a front elevational view thereof;

FIG. 3 is a rear elevational view thereof

FIG. 4 is a right side elevational view thereof;

FIG. 5 is a left side elevational view thereof;

FIG. 6 is a top plan view thereof;

FIG. 7 is a bottom plan view thereof;

FIG. 8 is a perspective view of a second embodiment of a counterweight for a fork lift truck as seen from the top, rear and left sides showing our new design;

FIG. 9 is a front elevational view thereof;

FIG. 10 is a rear elevational view thereof;

FIG. 11 is a right side elevational view thereof;

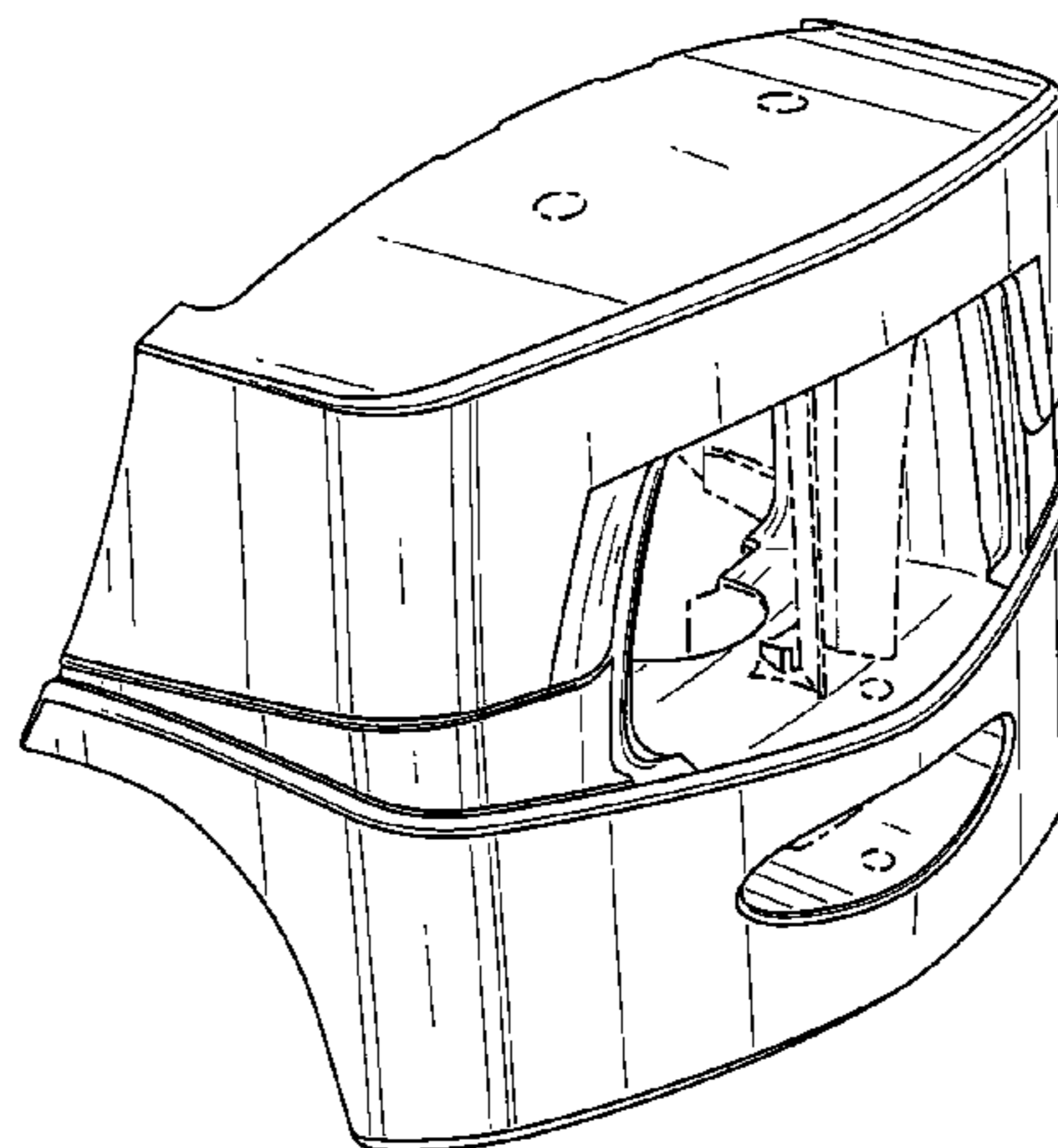
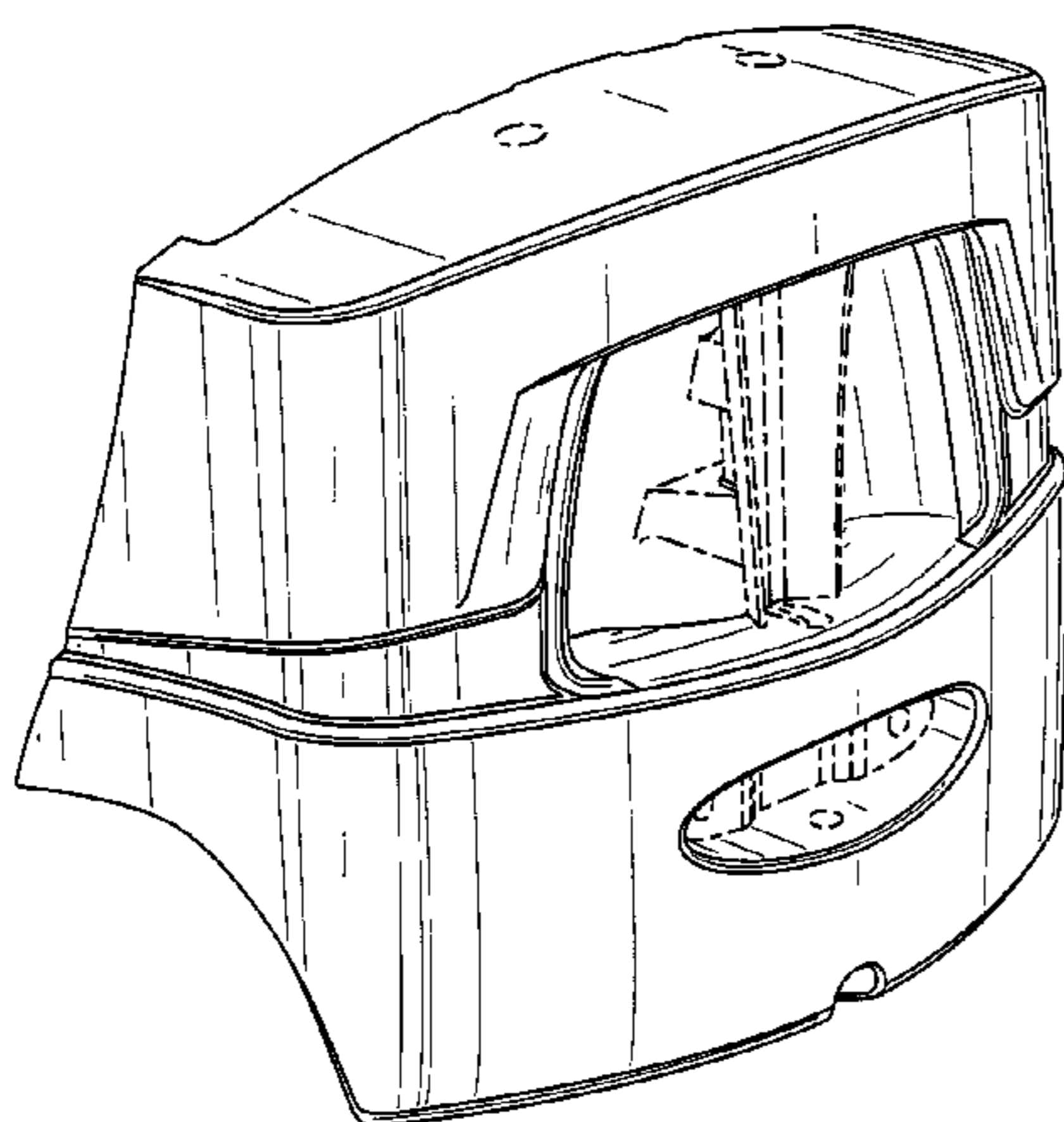
FIG. 12 is a left side elevational view thereof;

FIG. 13 is a top plan view thereof; and,

FIG. 14 is a bottom plan view thereof.

The broken line showings in the figures are for illustrative purposes only and form no part of the claimed design.

**1 Claim, 14 Drawing Sheets**



OTHER PUBLICATIONS

Crown specification brochure entitled Crown SC 4500 Series Sit-down Rider Lift Truck, USA, 2 pgs.

Clark Specification Sheet entitled Clark CGP Genesis Series CGP/CDP 20/25/30, Gasoline/LPG/Diesel/CNG Pneumatic Tire Lift Trucks, Clark Material Handling Company 1994, USA, 6 pgs.

Komatsu specification brochure entitled BX50 Specifications, Komatsu Cushion Tire Forklifts, 2007, USA, 6 pgs.

Komatsu advertisement brochure entitled Your SAFETY . . . your AX50 & BX50, USA, 3 pgs.

\* cited by examiner

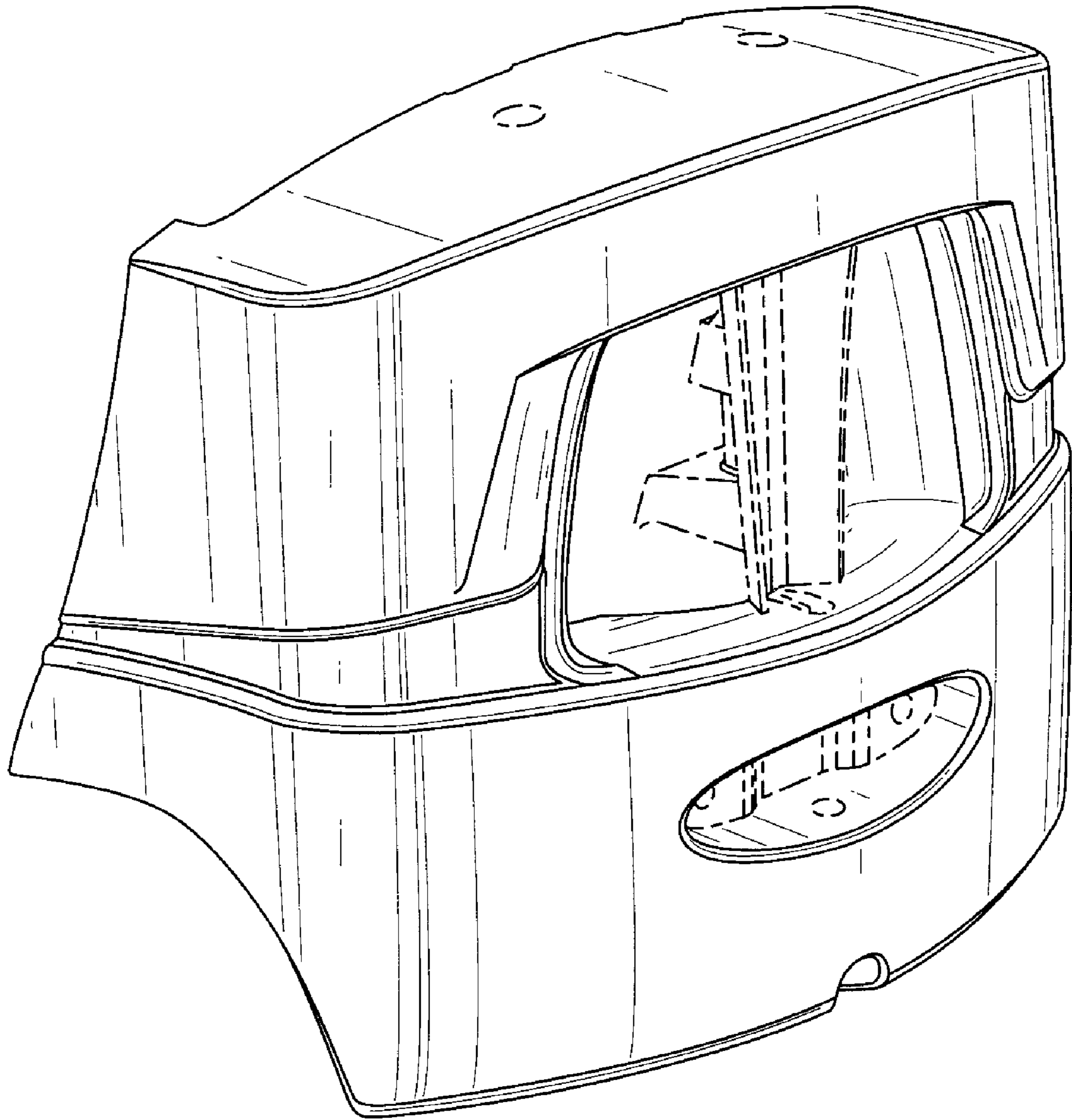


FIG. 1

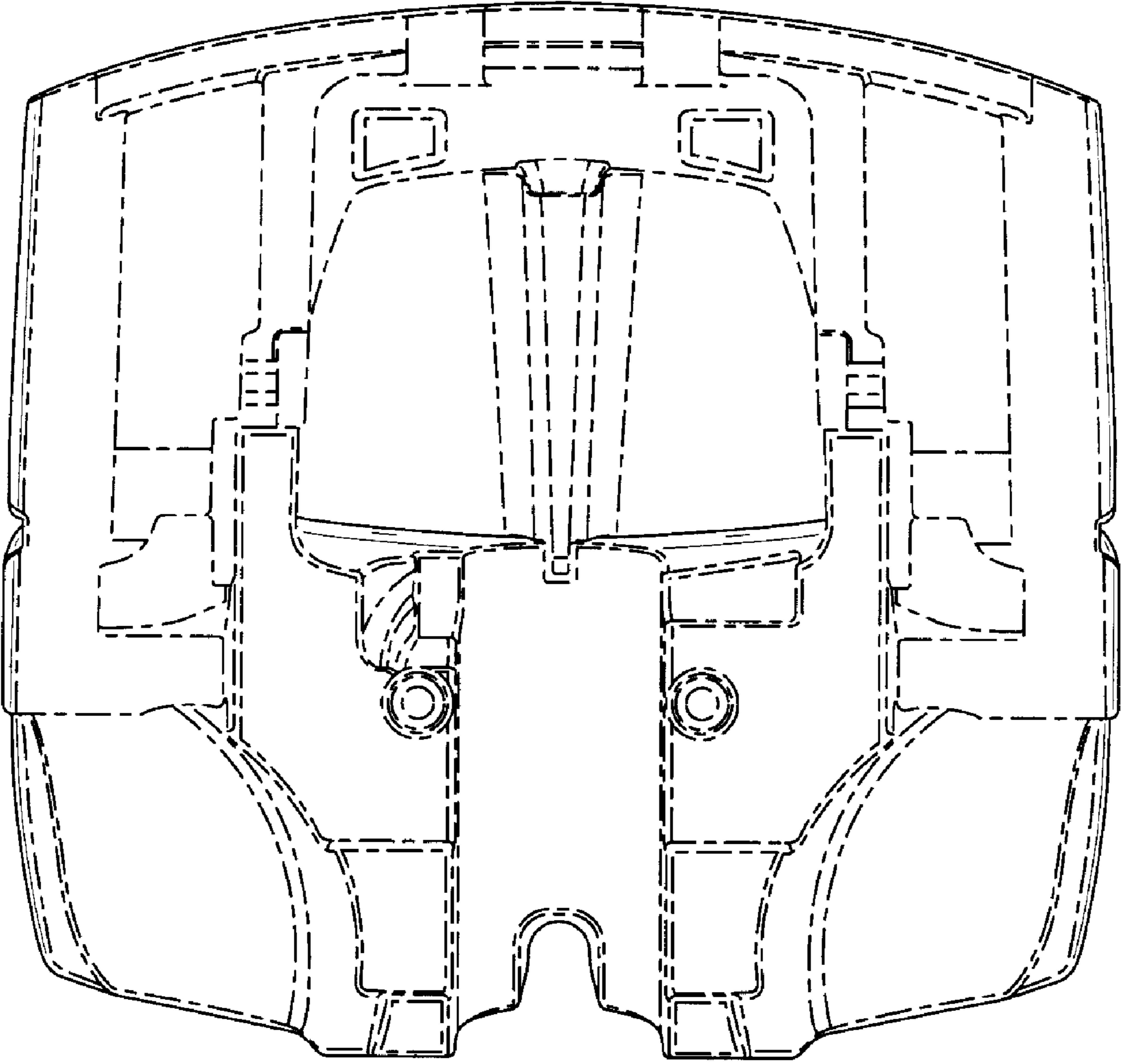


FIG. 2

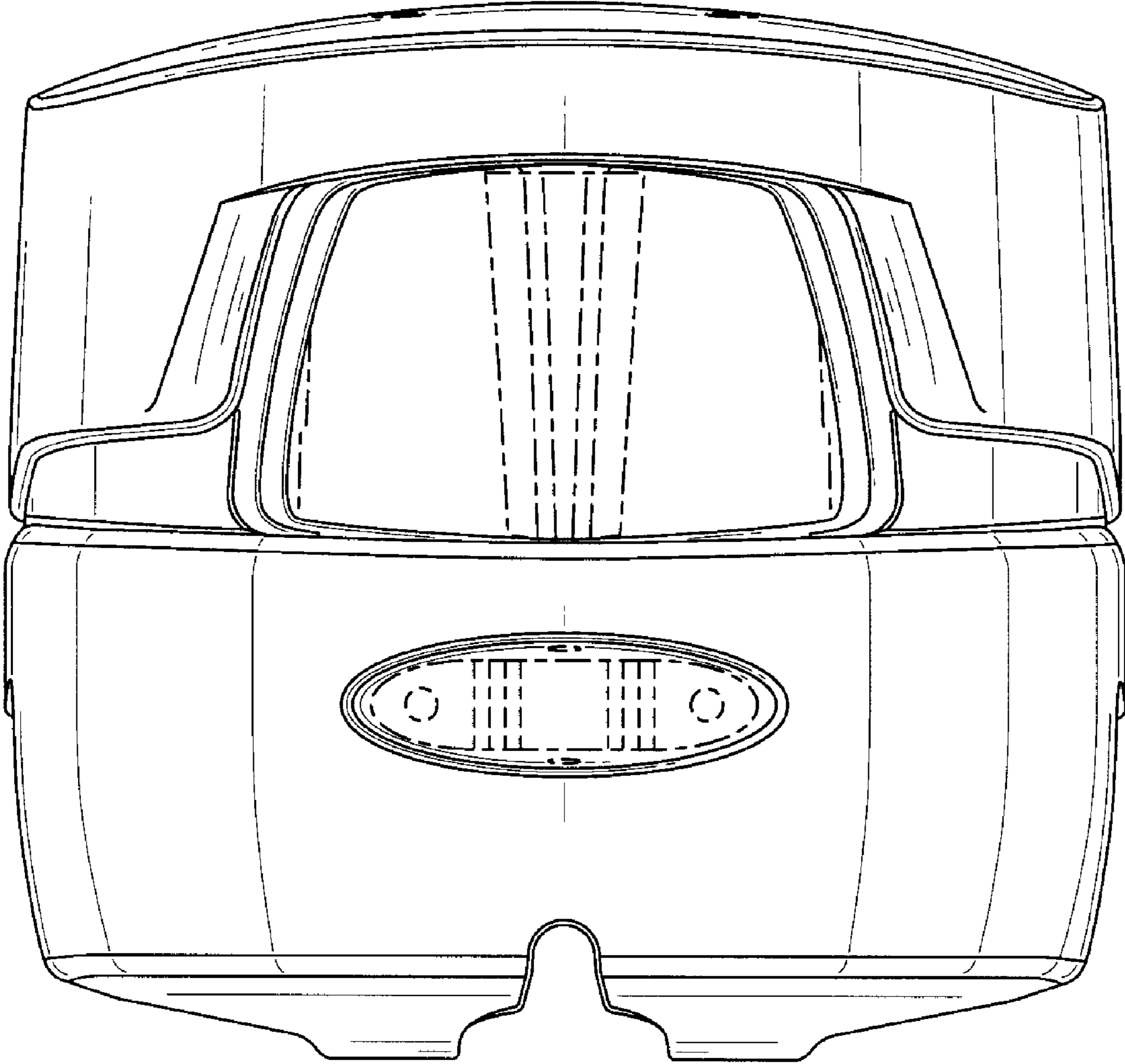


FIG. 3



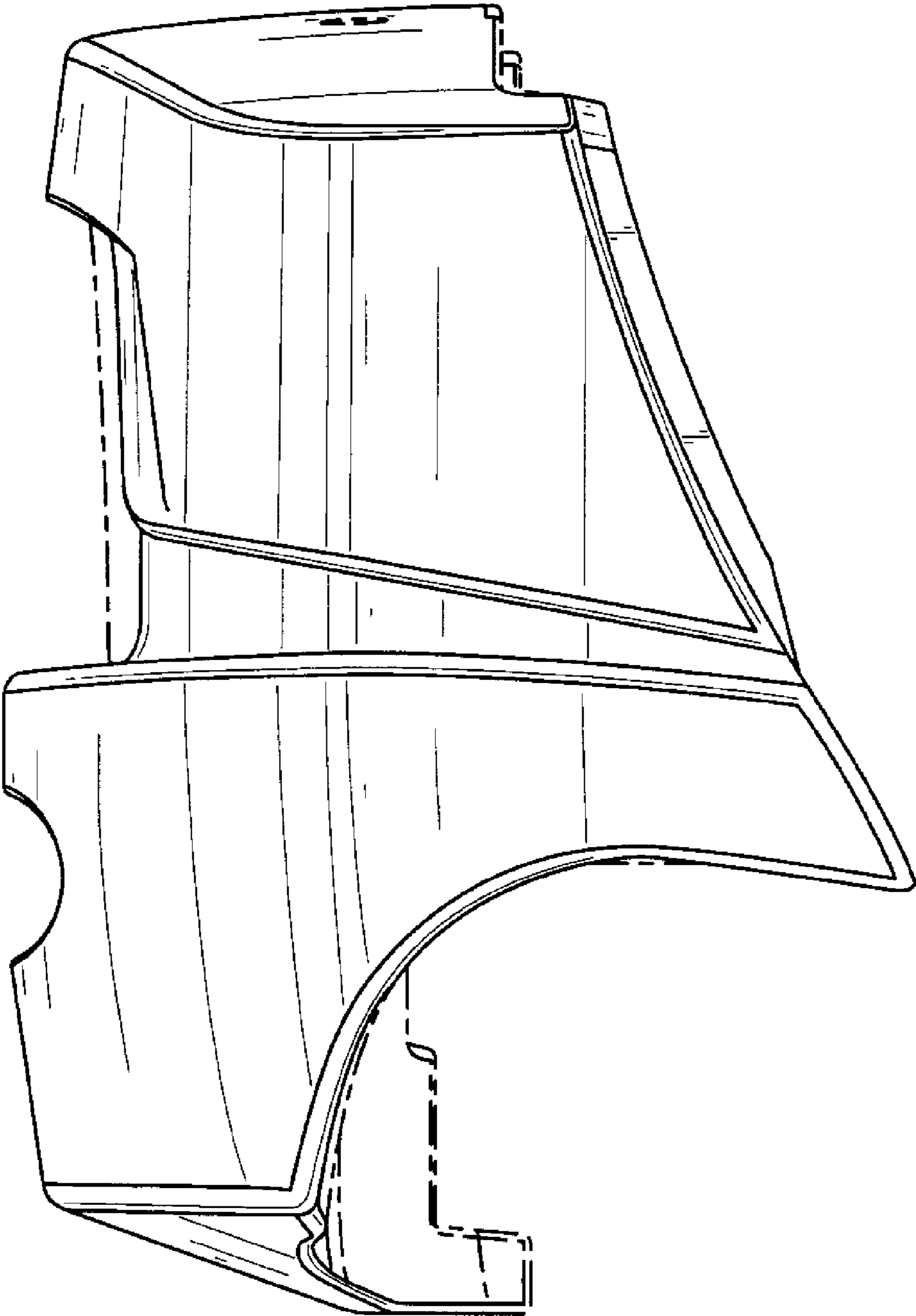


FIG. 4

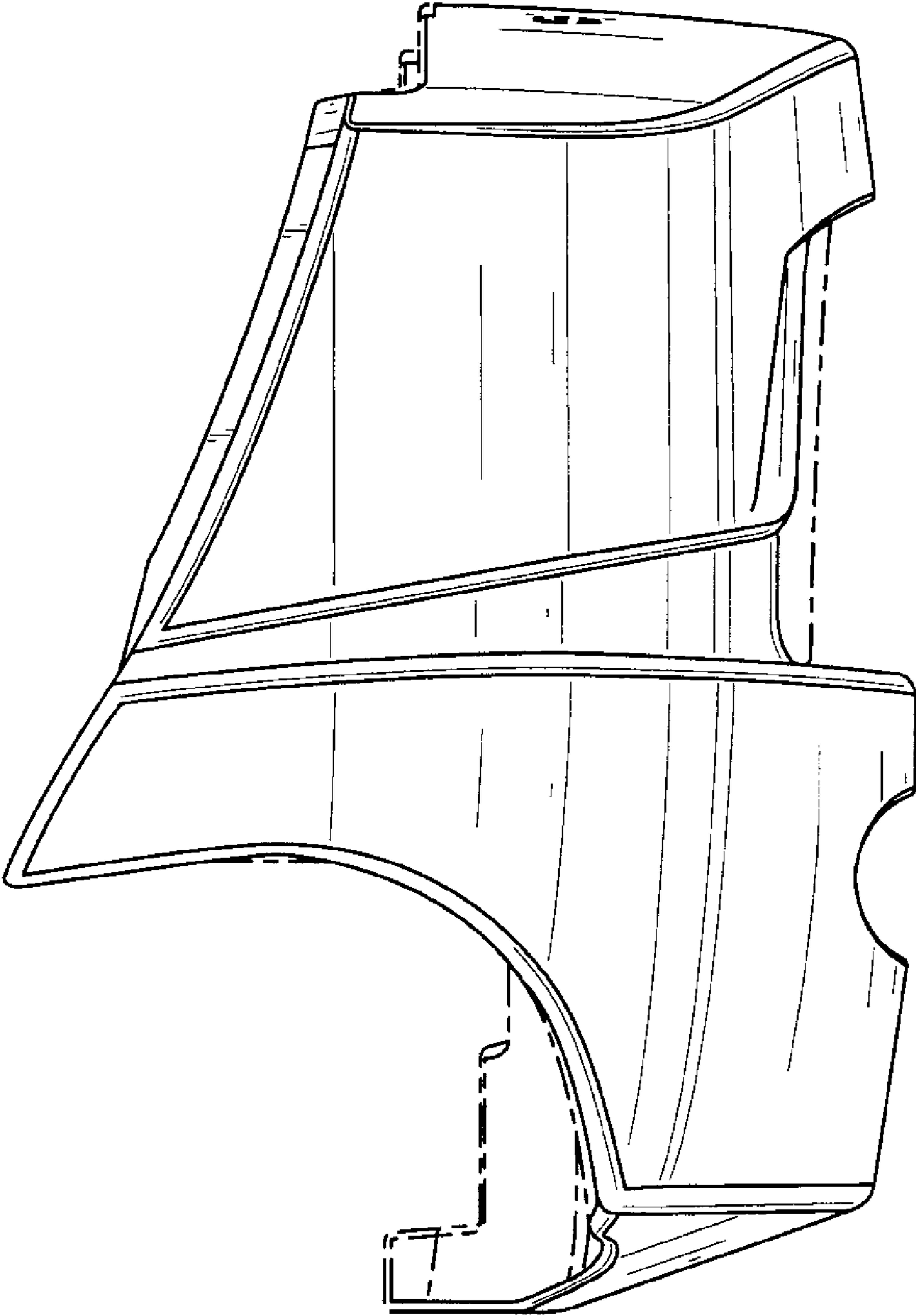


FIG. 5

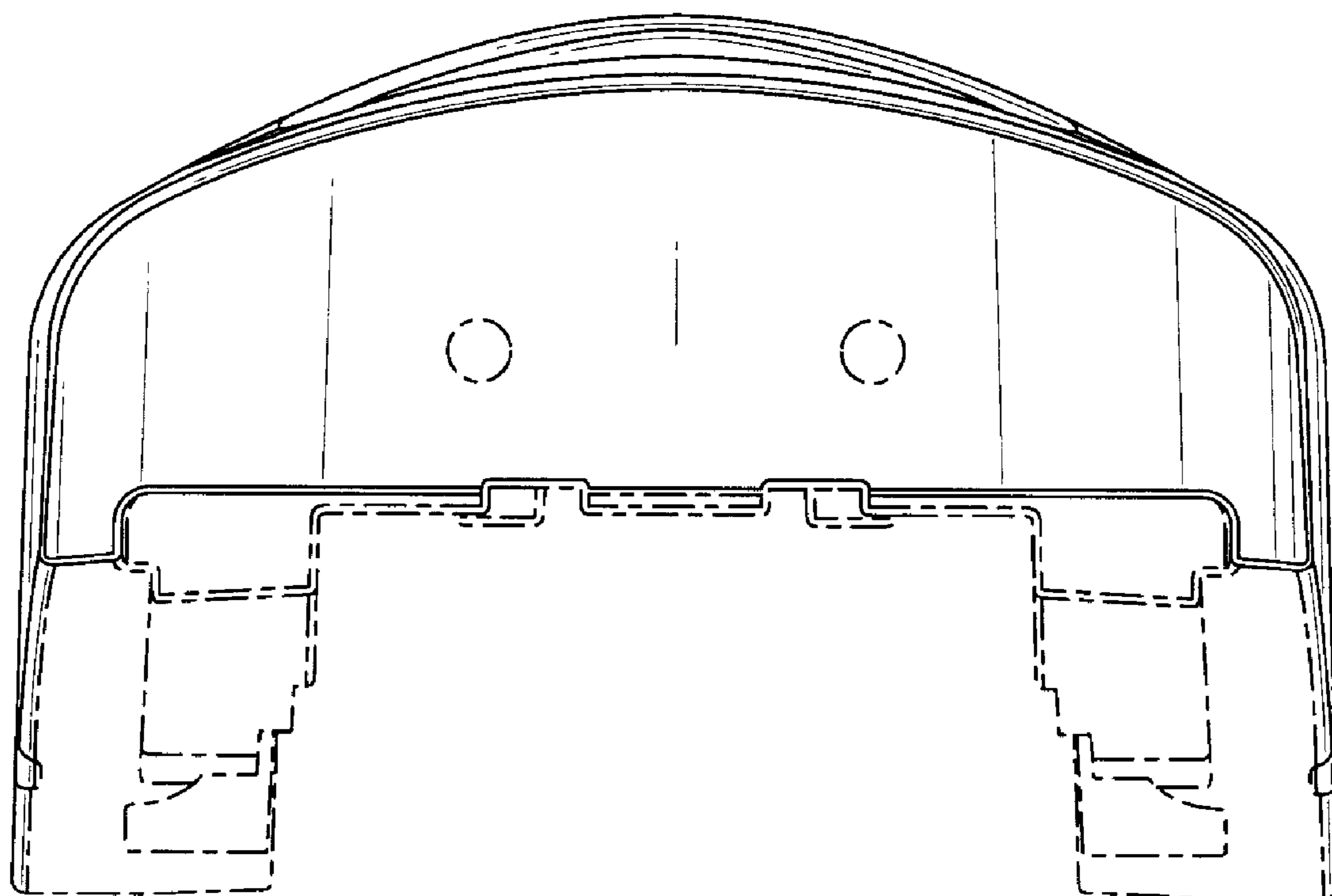


FIG. 6



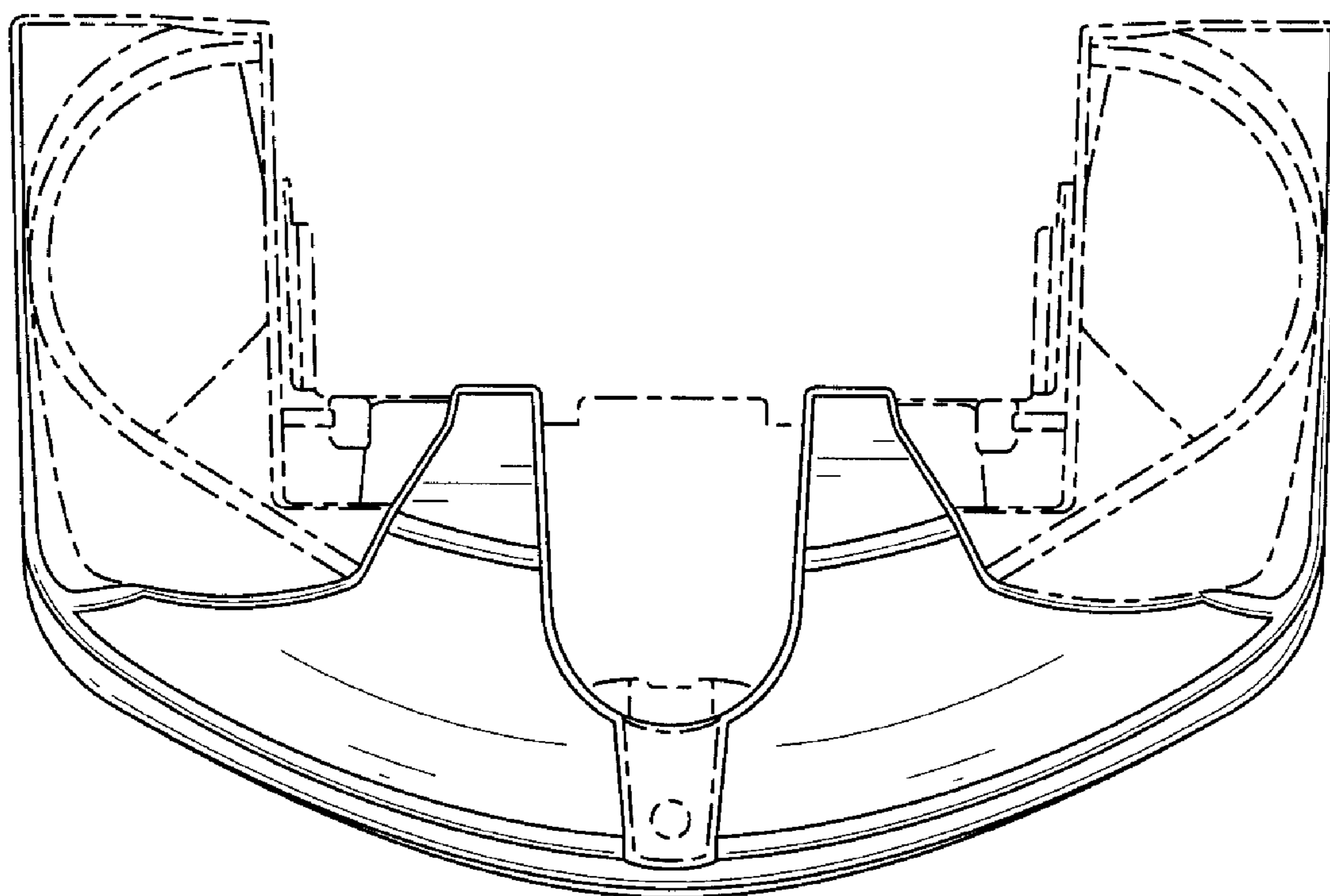


FIG. 7

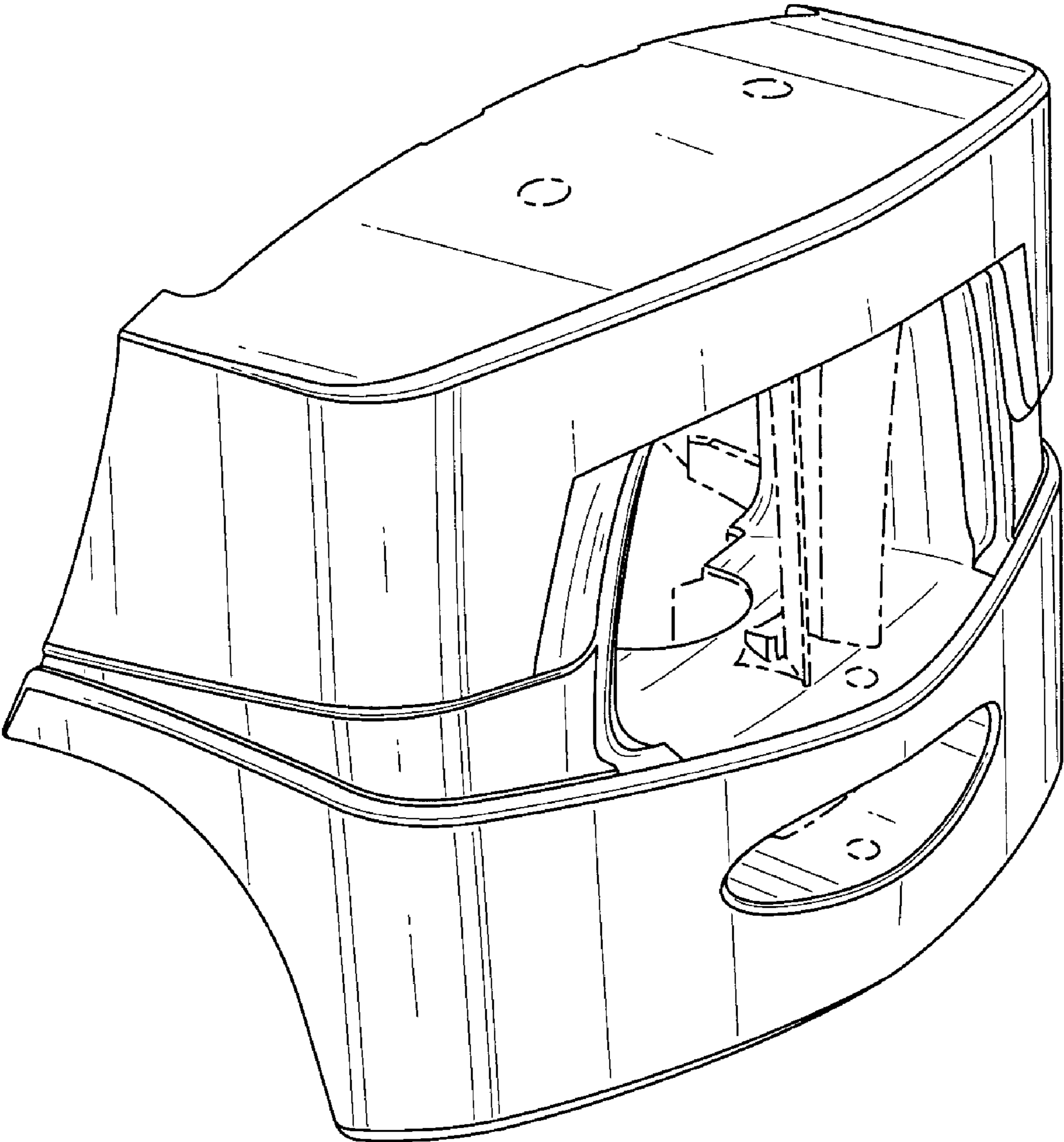


FIG. 8

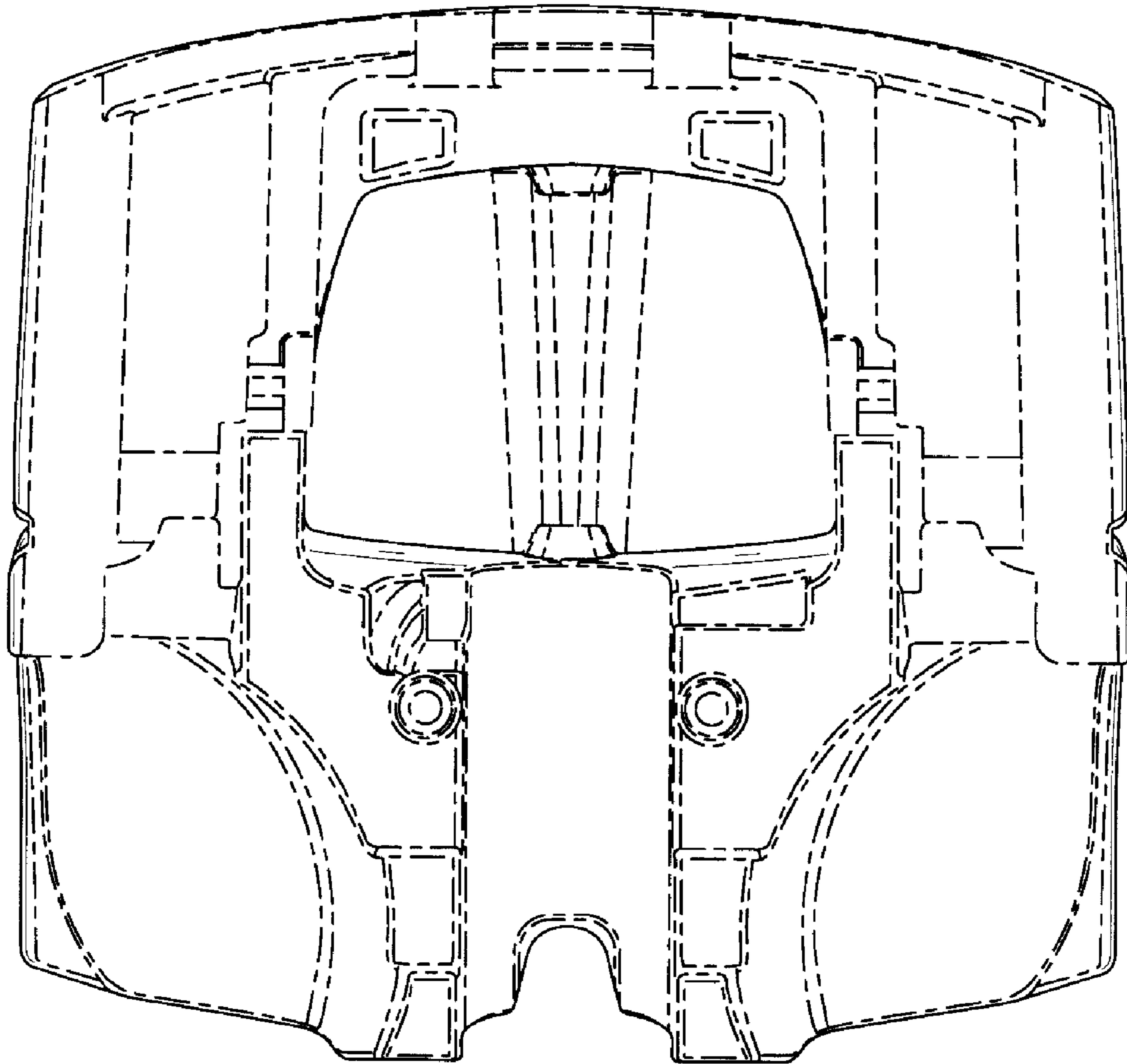


FIG. 9

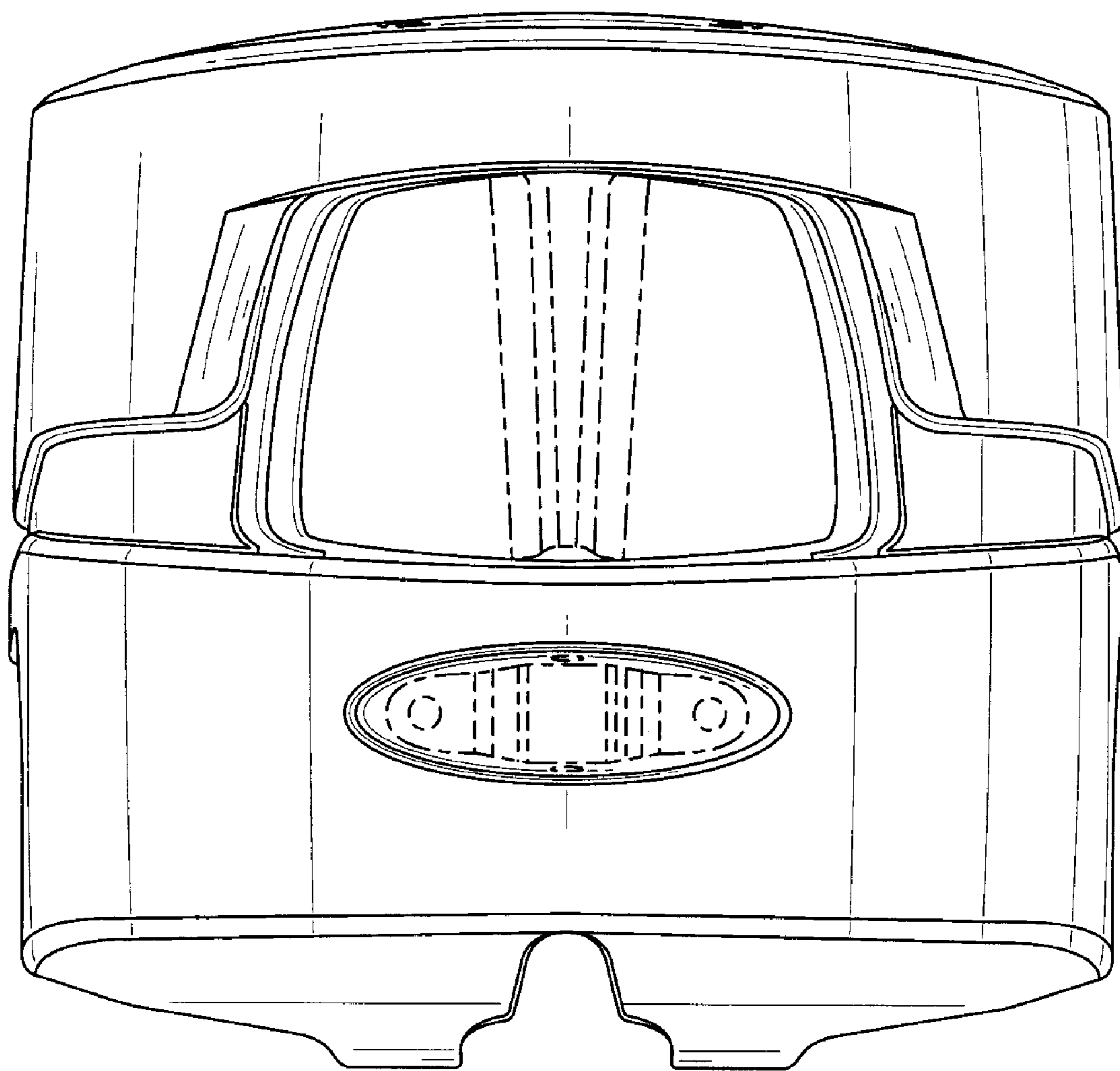


FIG. 10

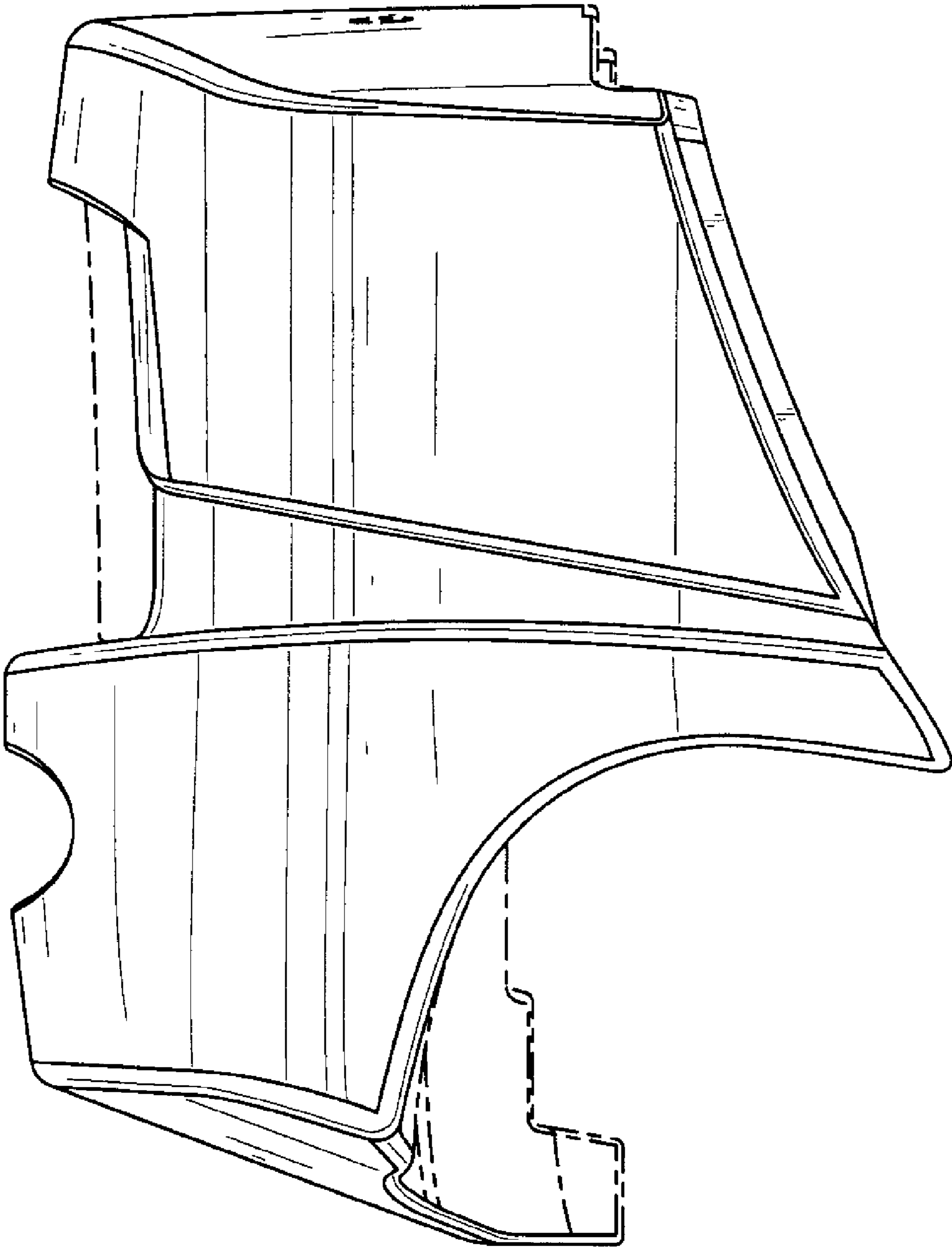


FIG. 11

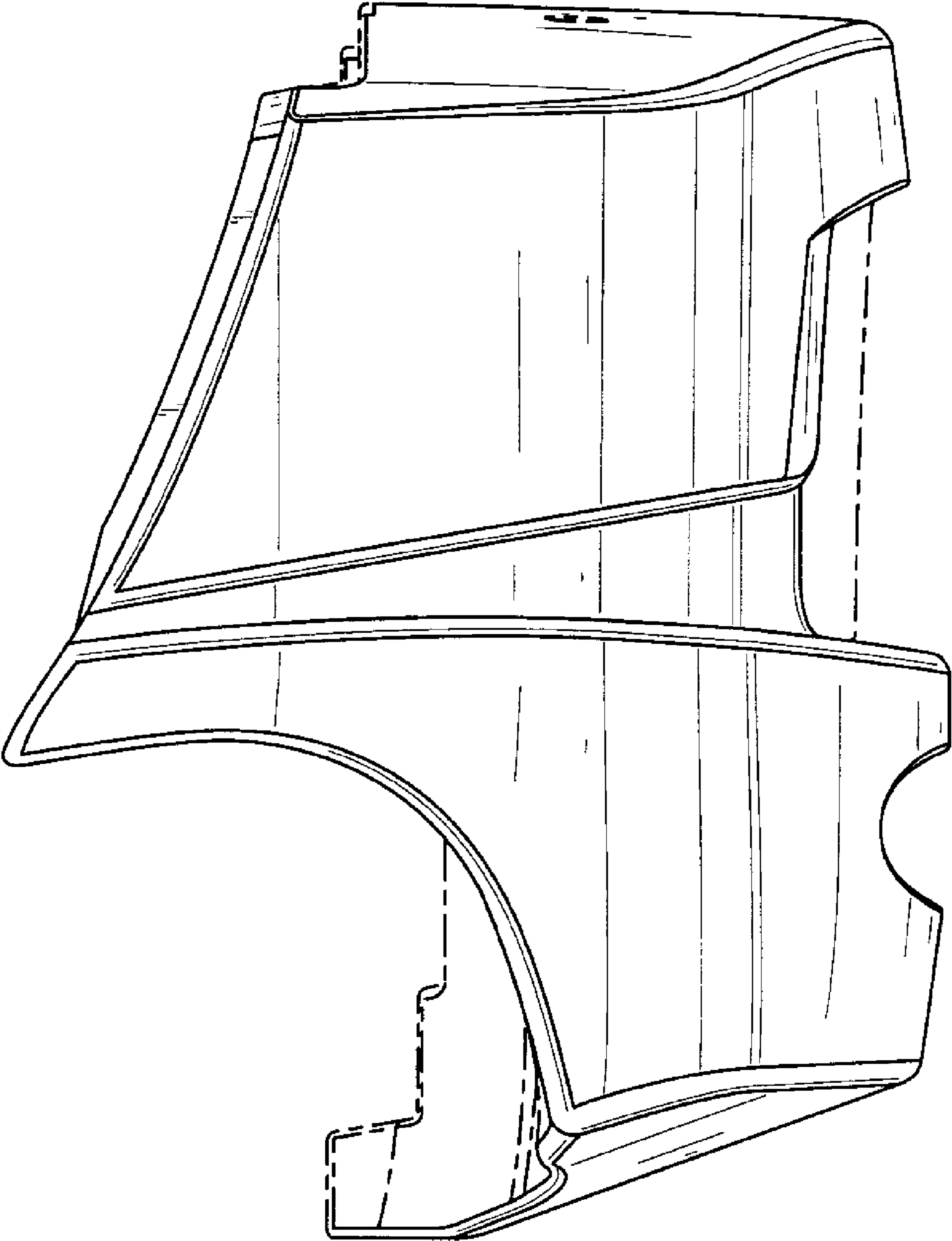


FIG. 12



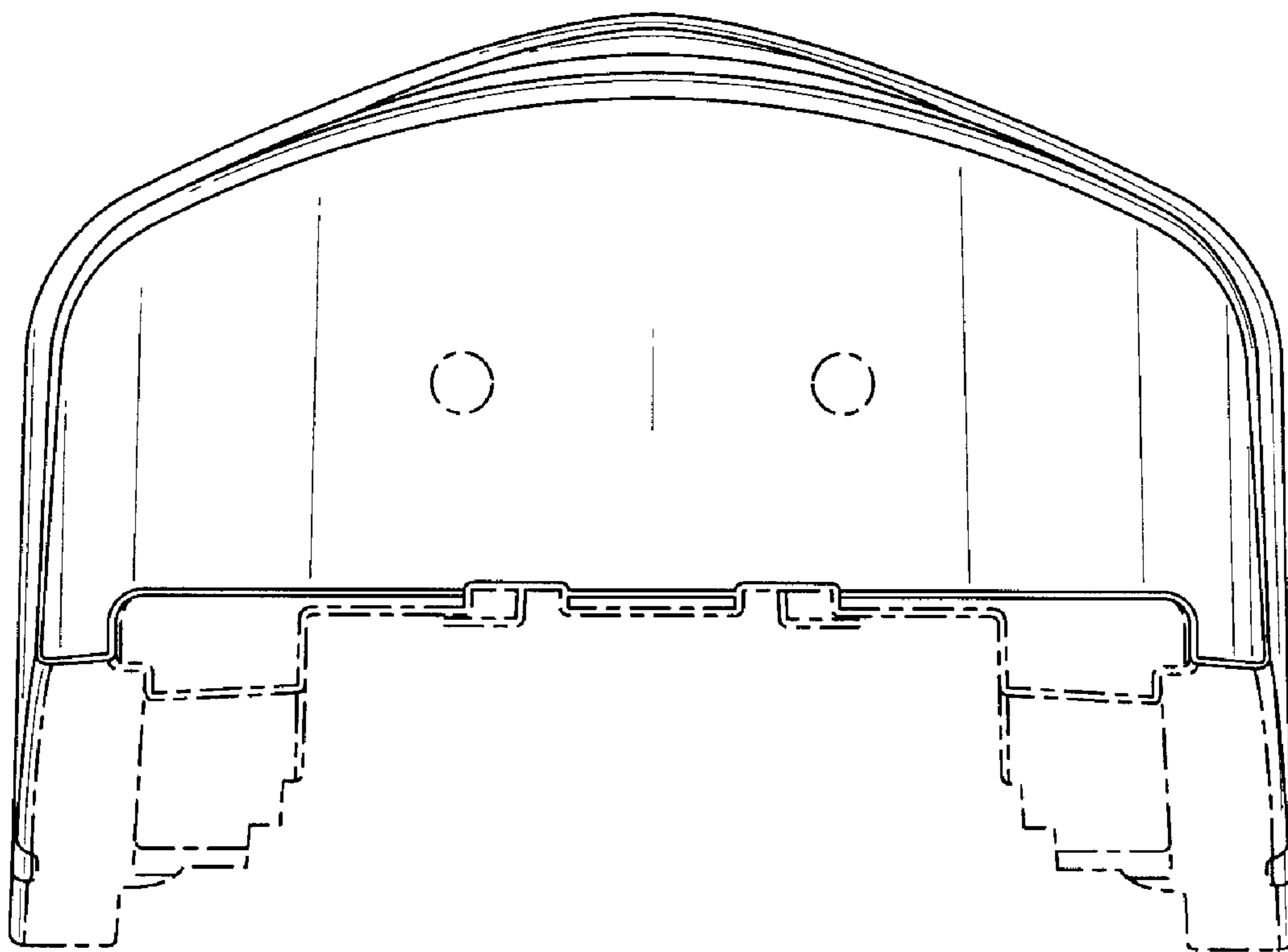


FIG. 13

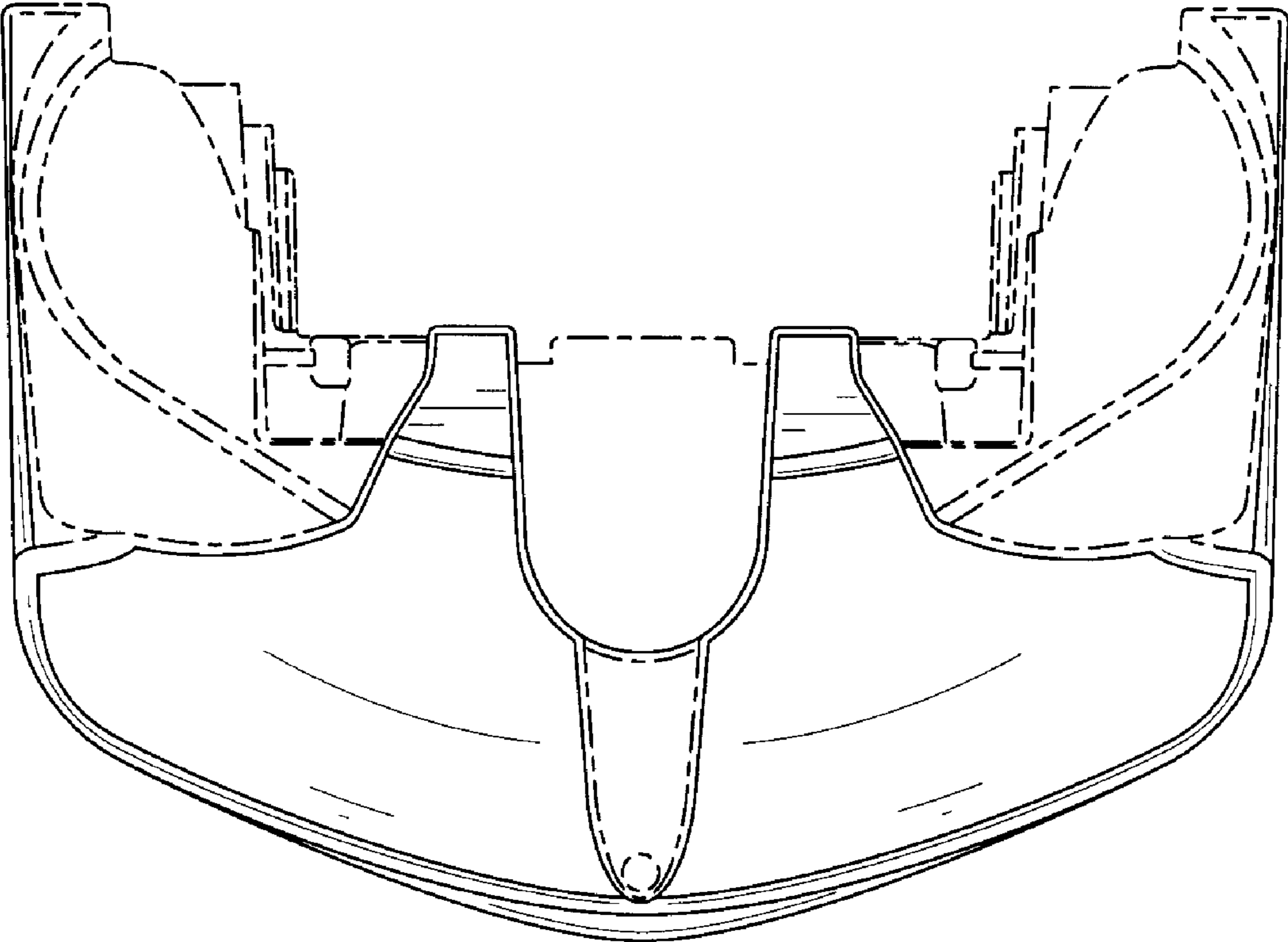


FIG. 14