



US00D576774S

(12) **United States Design Patent**
Boller

(10) **Patent No.:** **US D576,774 S**

(45) **Date of Patent:** **** Sep. 9, 2008**

(54) **CONTROL HANDLE FOR CARTS**

(74) *Attorney, Agent, or Firm*—Klaus J. Bach

(75) **Inventor:** **Stefan Boller**, Kassel (DE)

(57) **CLAIM**

(73) **Assignee:** **Espresso Deutschland GmbH**, Kassel (DE)

The ornamental design for a control handle for carts, as shown and described.

(**) **Term:** **14 Years**

DESCRIPTION

(21) **Appl. No.:** **29/289,823**

FIG. 1 is a front view of a control handle for carts showing my new design;

(22) **Filed:** **Aug. 2, 2007**

FIG. 2 is a bottom view of the control handle for carts shown in FIG. 1;

(51) **LOC (8) Cl.** **12-02**

(52) **U.S. Cl.** **D34/27**

(58) **Field of Classification Search** D34/34,
D34/35; D15/18; 280/762, 43.12, 43.23,
280/43.17; 74/488, 484 R; 187/237, 238;
180/89.12, 89.13, 89.17

FIG. 3 is a top view of the control handle for carts shown in FIG. 1;

FIG. 4 is a front end view of the control handle for carts shown in FIG. 1;

See application file for complete search history.

FIG. 5 is a right side view of the control handle for carts shown in FIG. 1;

(56) **References Cited**

U.S. PATENT DOCUMENTS

D241,568 S *	9/1976	Herzeg	D32/34
D527,859 S *	9/2006	Stobe	D34/35
D563,074 S *	2/2008	Standke	D34/35

FIG. 6 is a right end perspective top view of a control handle for carts shown in FIG. 1; and,

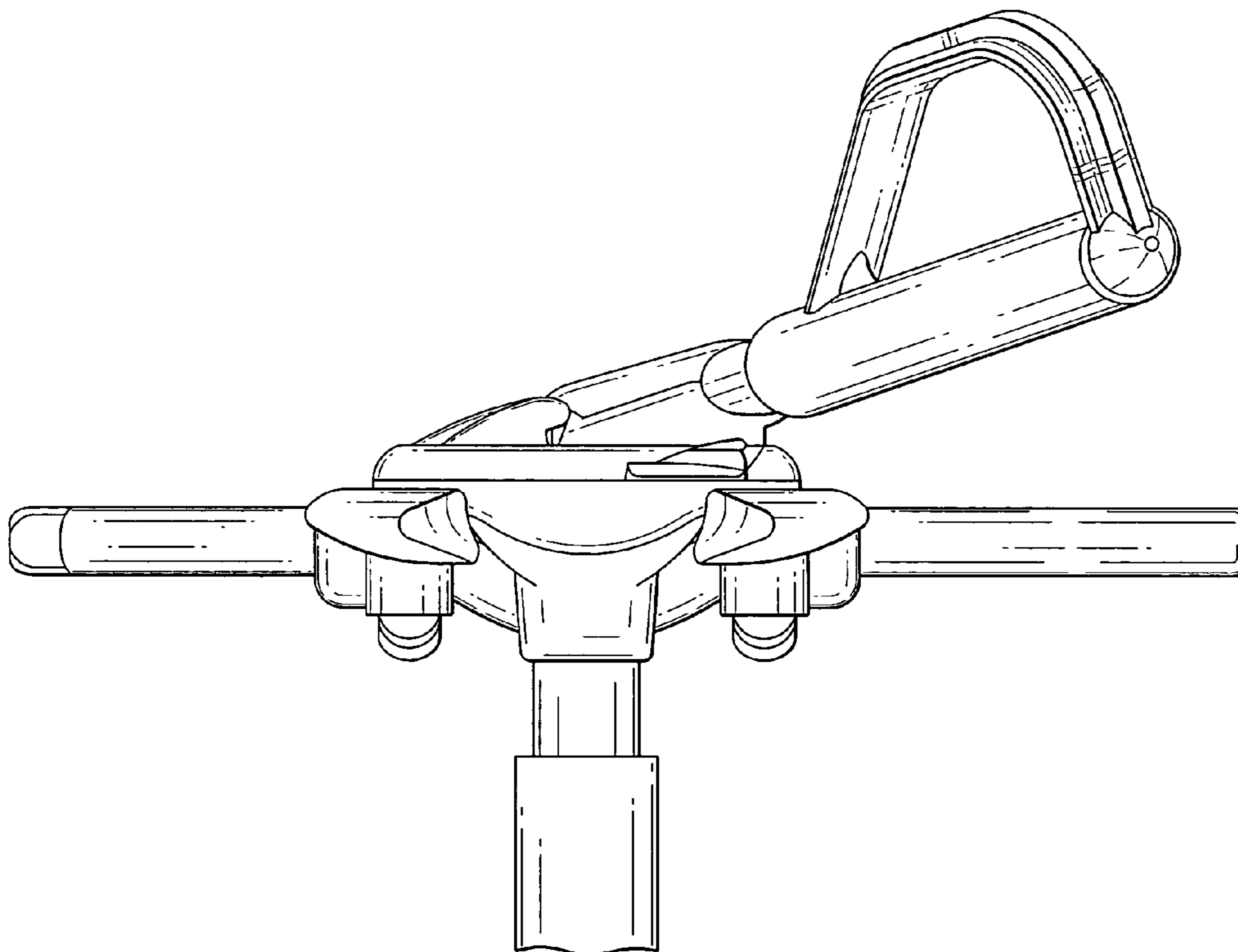
FIG. 7 is a right end perspective bottom view of a control handle for carts as shown in FIG. 1.

* cited by examiner

The pole is shown broken away to indicate that no specific length is claimed.

Primary Examiner—Cynthia E Ramirez

1 Claim, 7 Drawing Sheets



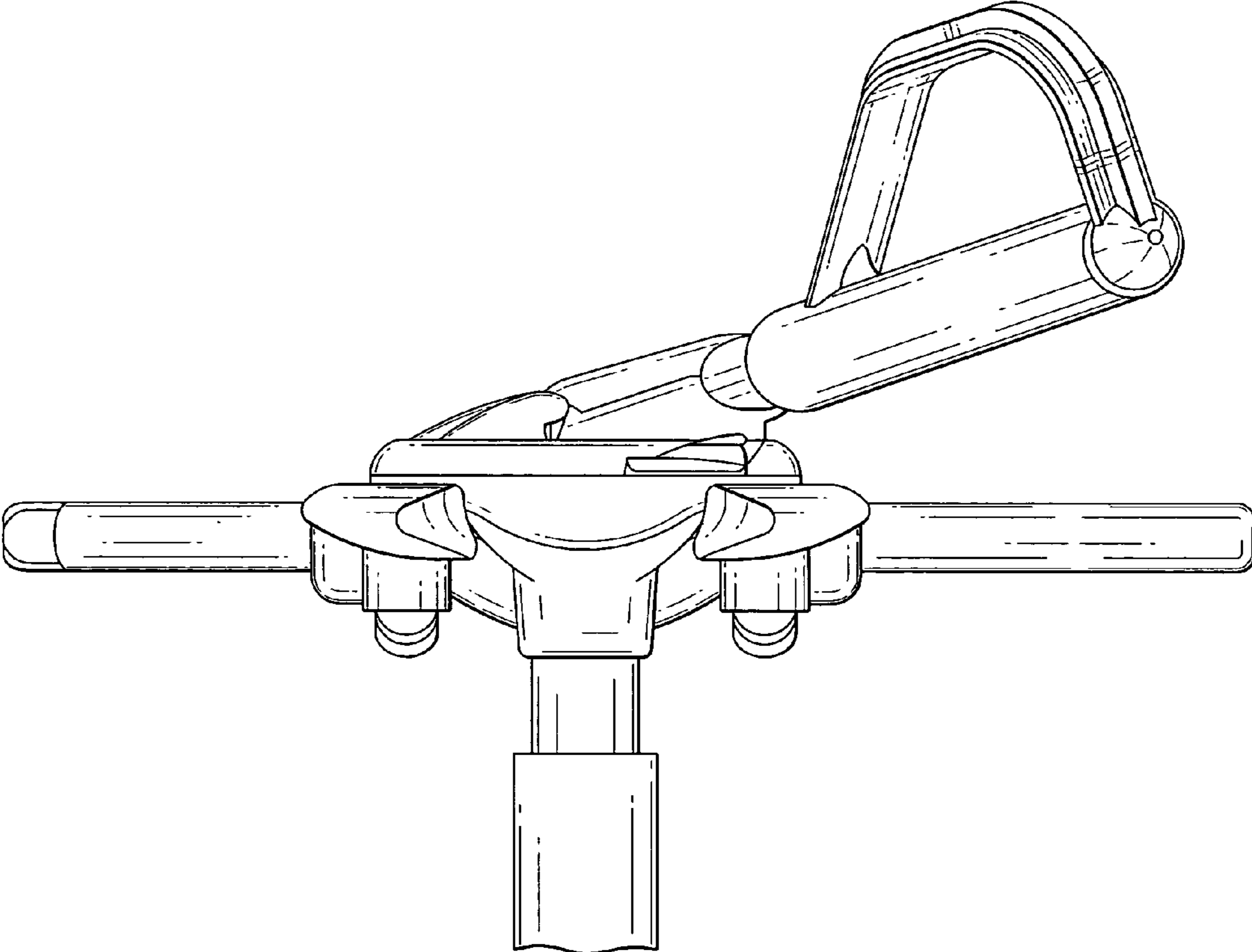


FIG. 1

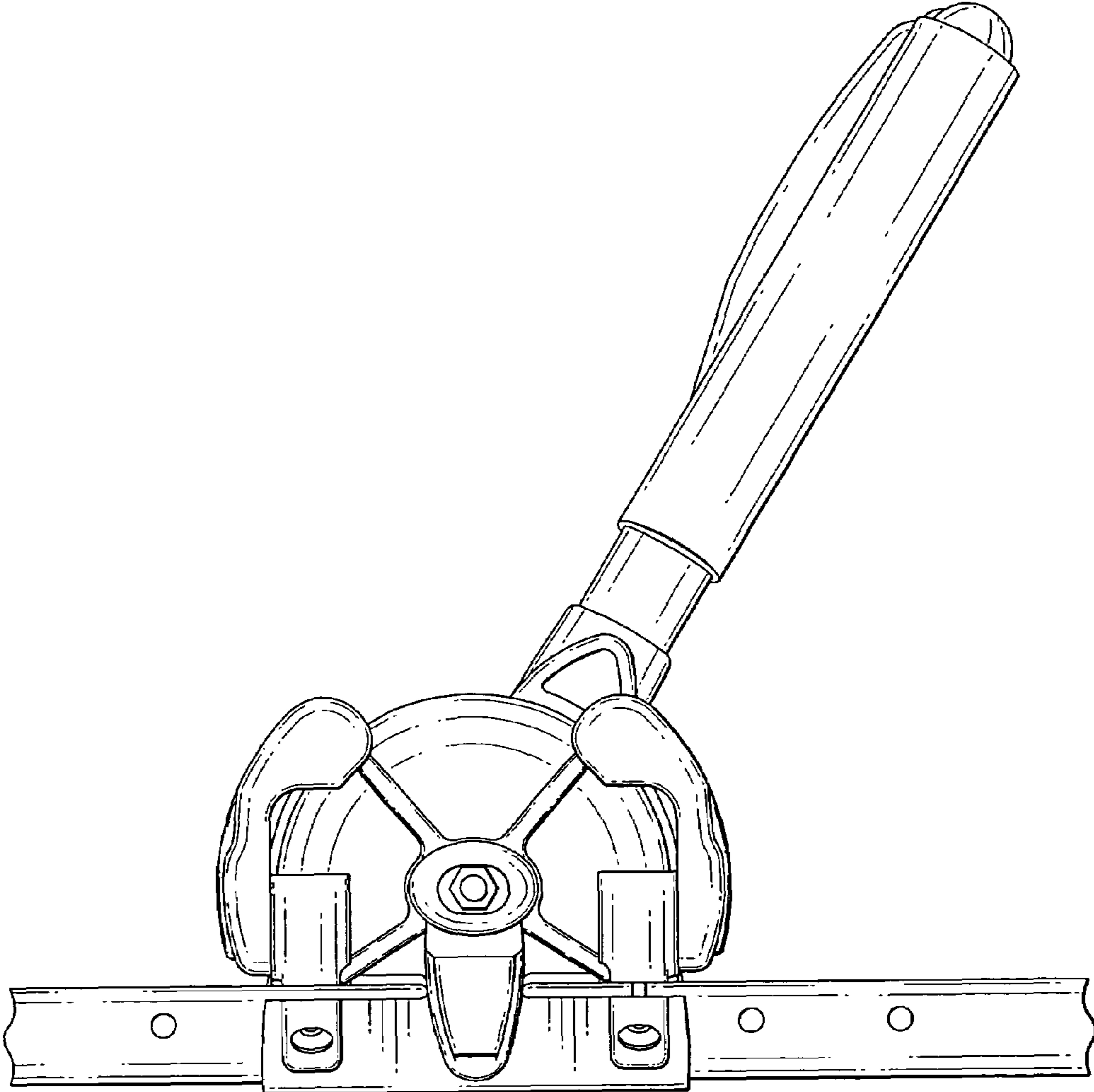


FIG. 2

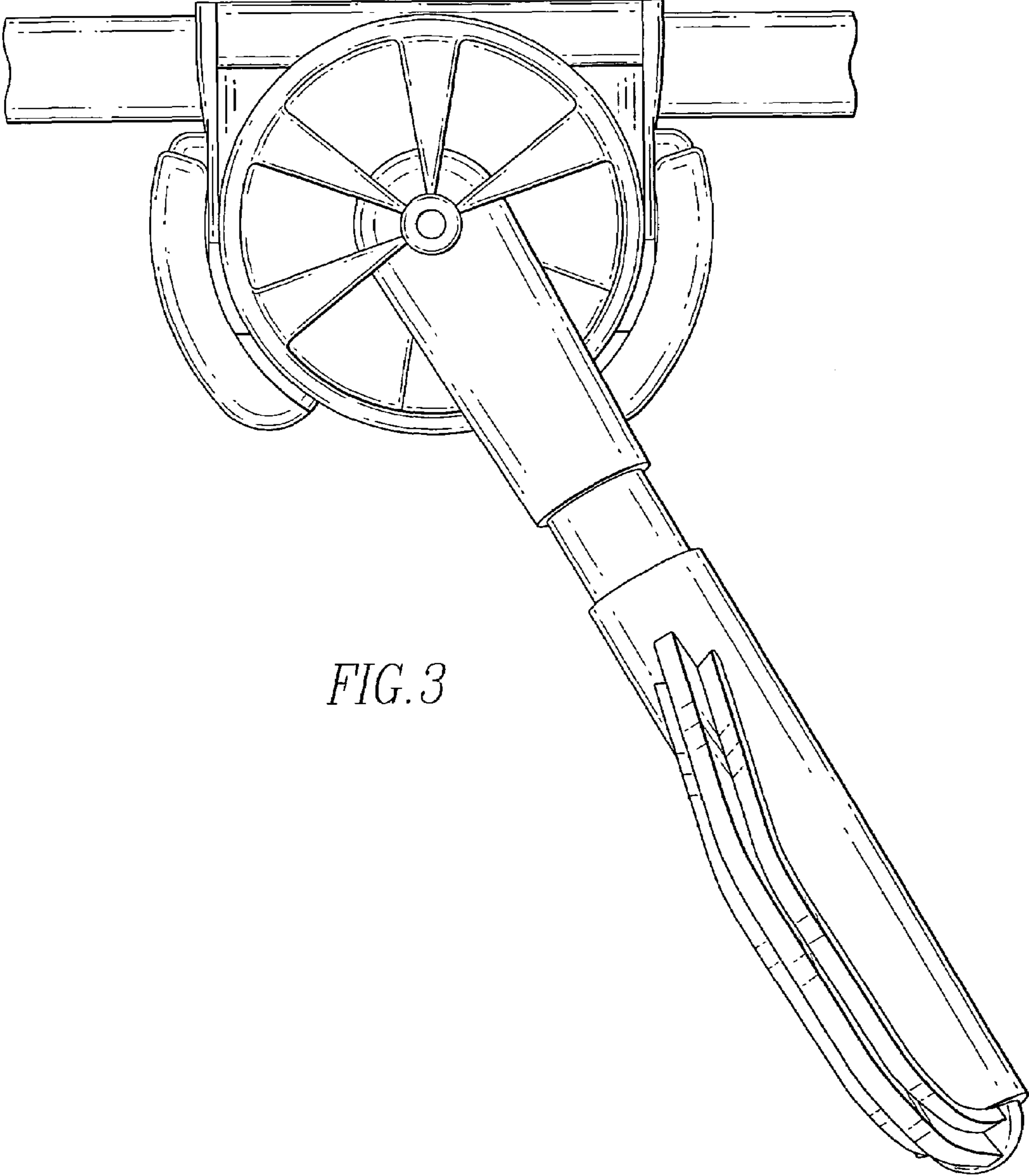


FIG. 3

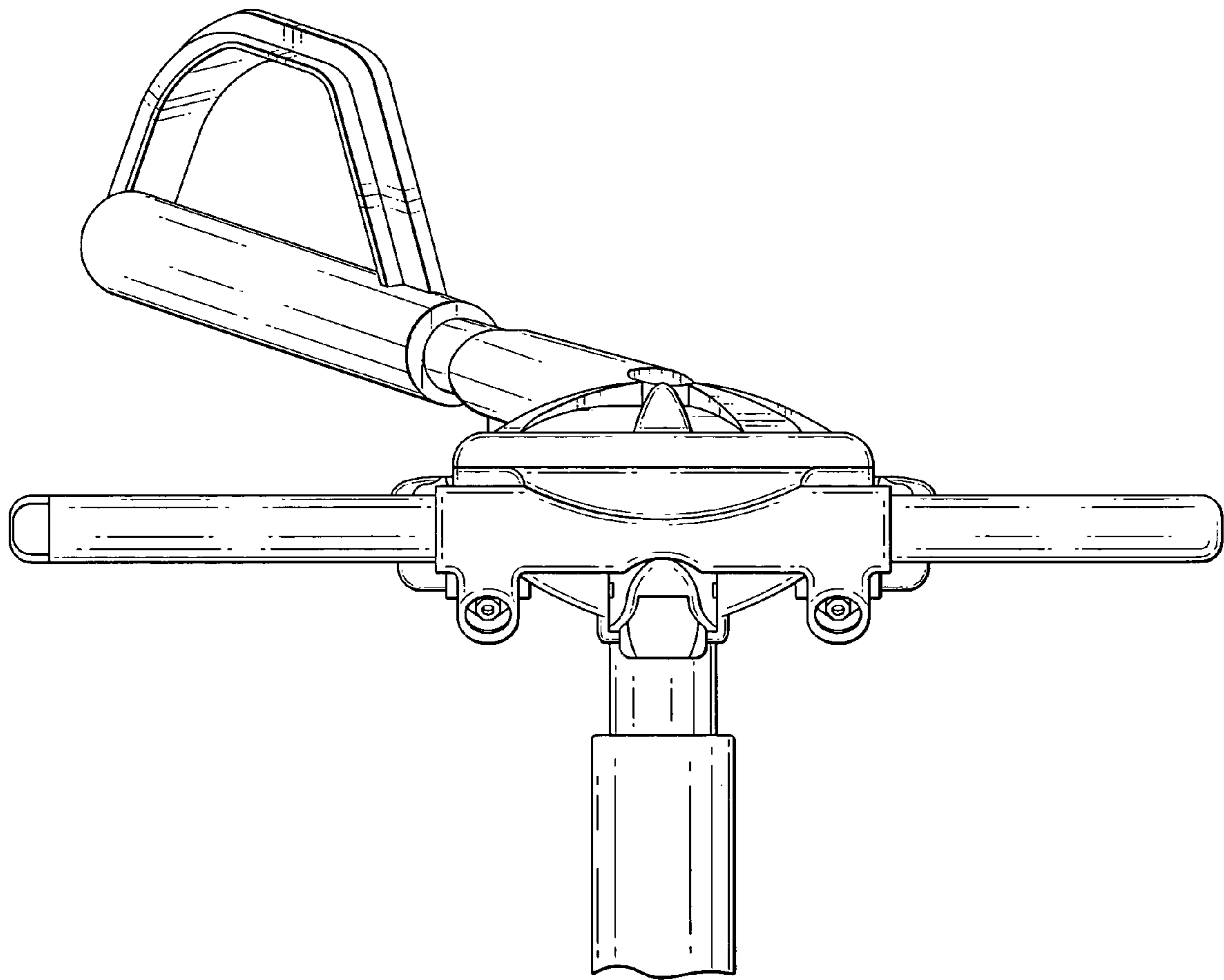


FIG. 4

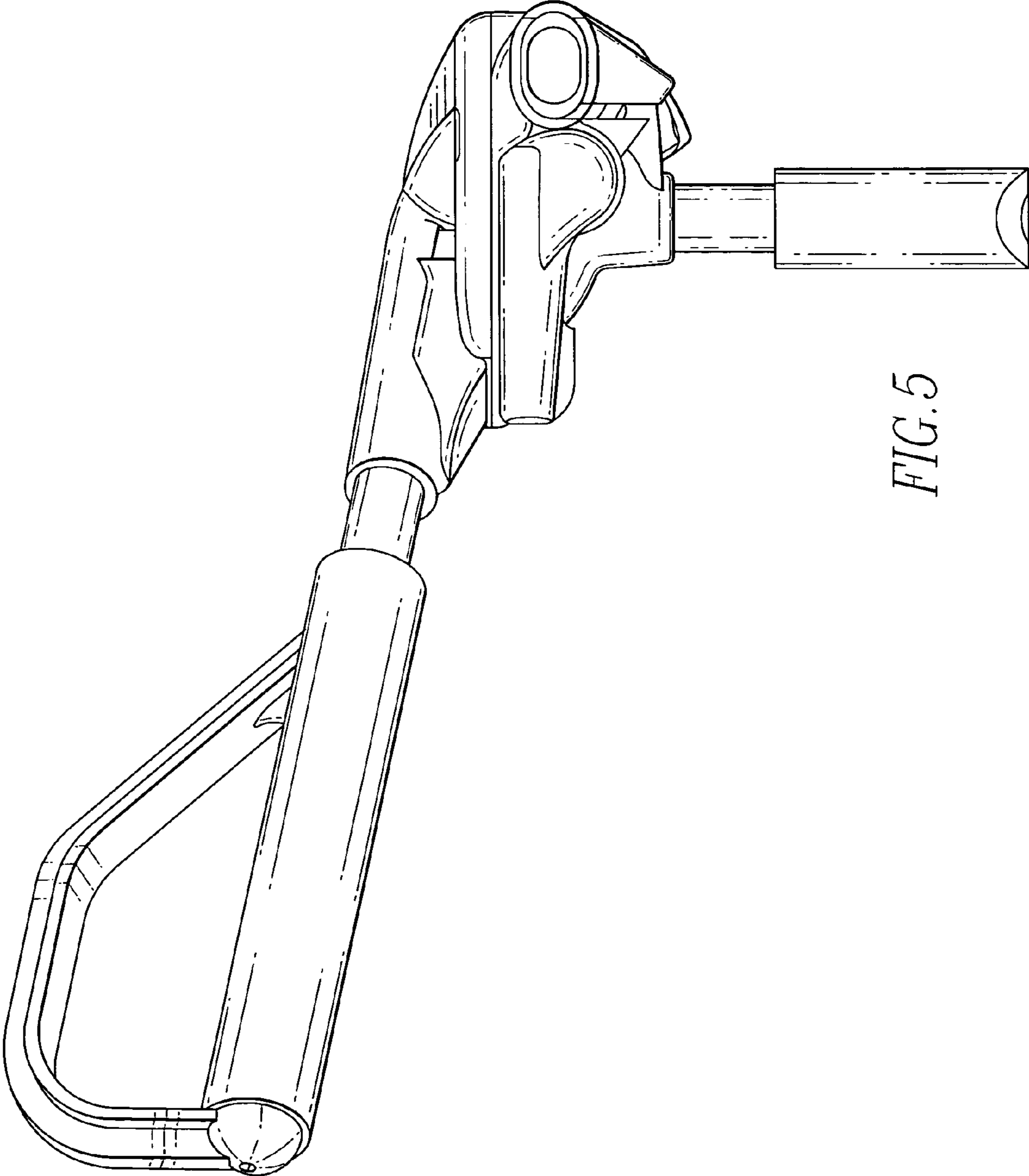


FIG. 5

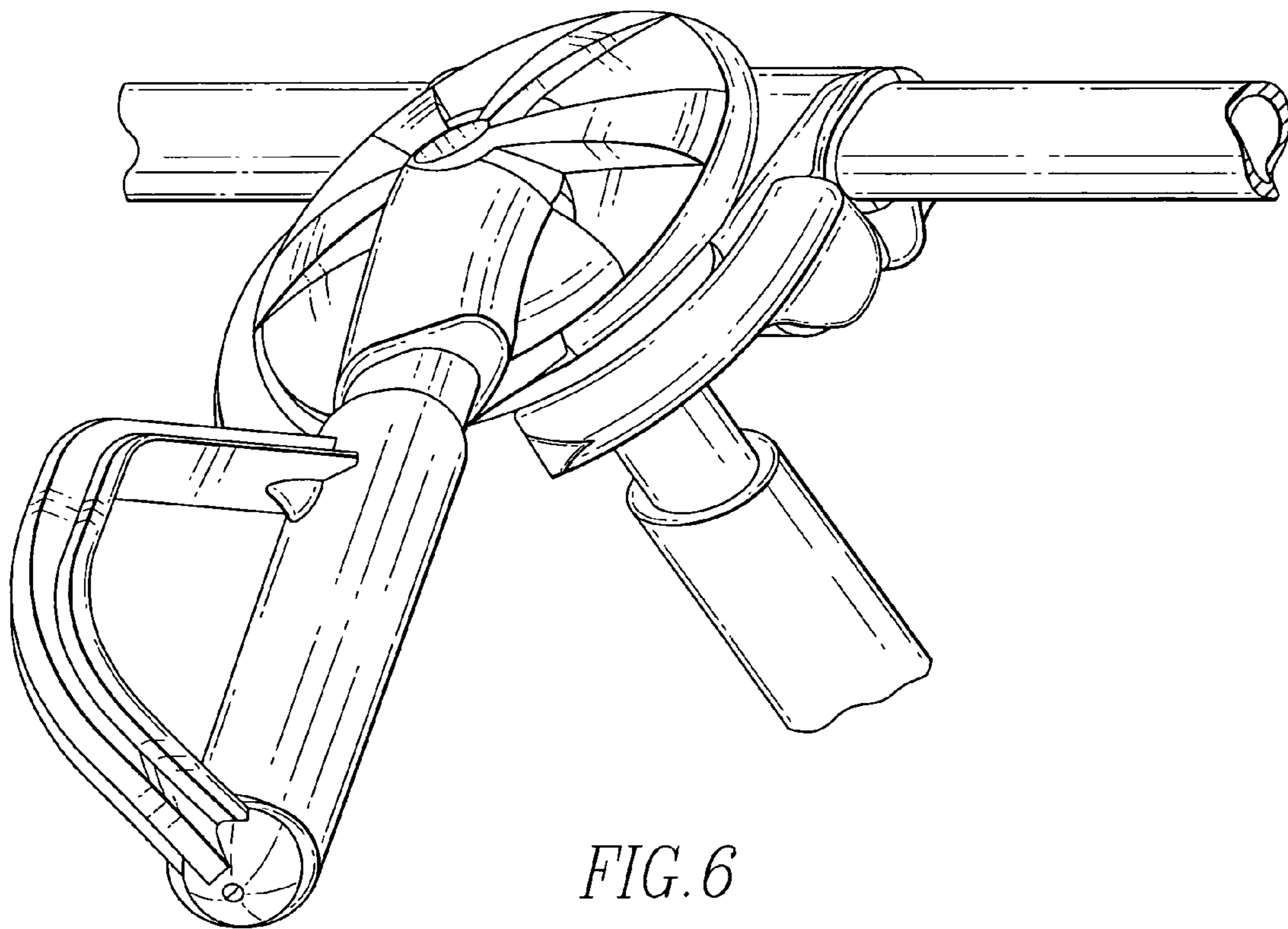


FIG. 6

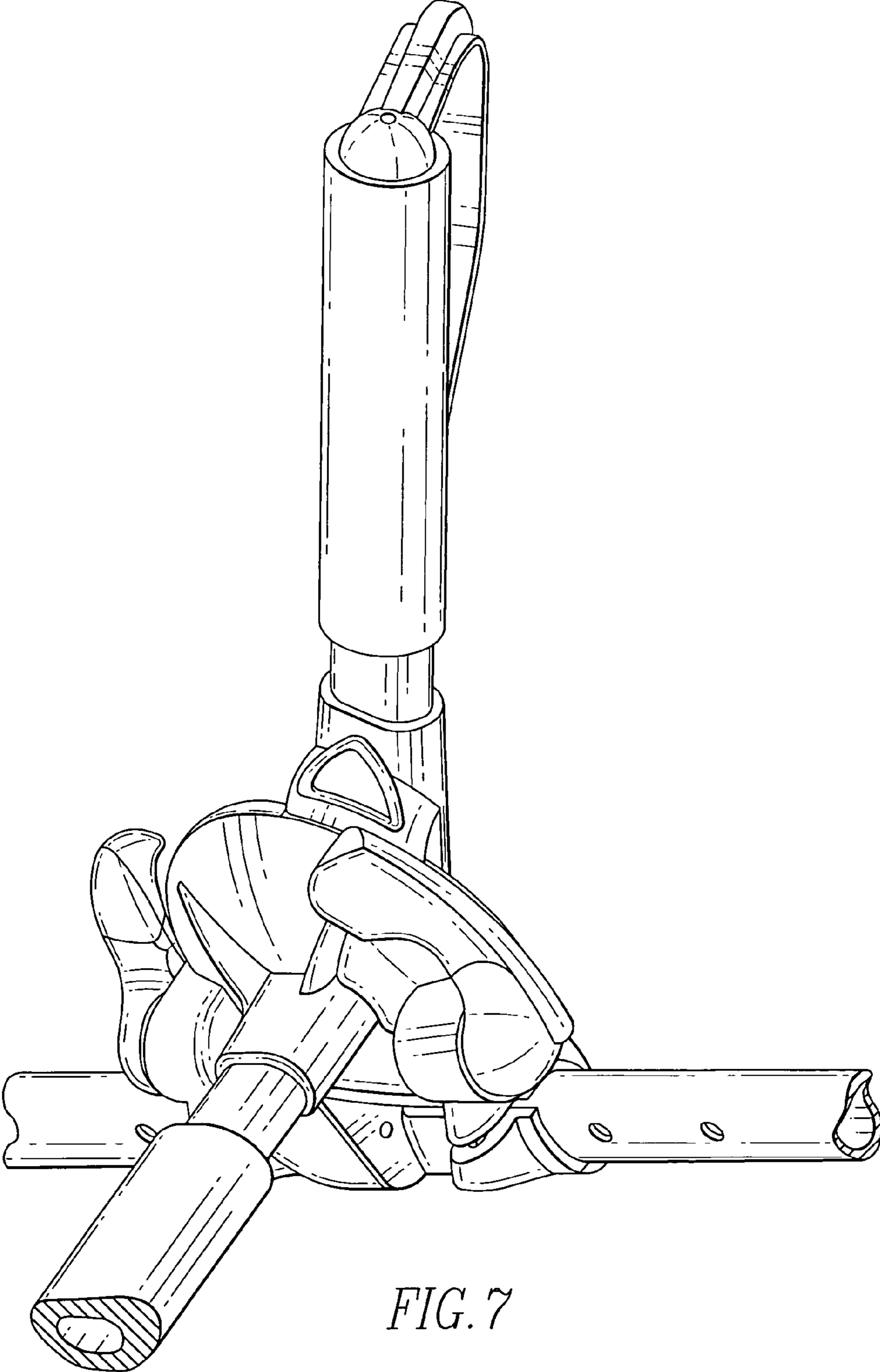


FIG. 7