



US00D576773S

(12) **United States Design Patent**
Beckett

(10) **Patent No.:** **US D576,773 S**

(45) **Date of Patent:** **** Sep. 9, 2008**

(54) **BOOT AND GLOVE DRYER**

(76) Inventor: **Joel Beckett**, P.O. Box 1102, Mercer Island, WA (US) 98040

(**) Term: **14 Years**

(21) Appl. No.: **29/288,946**

(22) Filed: **Jun. 26, 2007**

(51) **LOC (8) Cl.** **07-05**

(52) **U.S. Cl.** **D32/58**

(58) **Field of Classification Search** D32/58-59;
D7/616-620; 36/2.6; 34/102-106, 437,
34/240, 440, 417, 442, 221; 211/34-35,
211/37-38

See application file for complete search history.

(56) **References Cited**

U.S. PATENT DOCUMENTS

4,136,464 A * 1/1979 Hay 34/104
D310,742 S * 9/1990 Johnson D32/58
5,058,289 A * 10/1991 Guindon 34/104
D347,094 S * 5/1994 Christensen, Jr. D32/58

D412,381 S * 7/1999 Peet D32/58
6,085,436 A * 7/2000 Peet 34/104
6,839,982 B1 * 1/2005 Hoover 34/90
7,043,854 B2 * 5/2006 Peet et al. 34/381

* cited by examiner

Primary Examiner—Pamela J Burgess

(74) *Attorney, Agent, or Firm*—Dean A. Craine

(57) **CLAIM**

The ornamental design for a boot and glove dryer, as shown and described.

DESCRIPTION

FIG. 1 is a perspective view of the boot and glove dryer.

FIG. 2 is a front elevational view of the invention.

FIG. 3 is a left side elevational view of the invention.

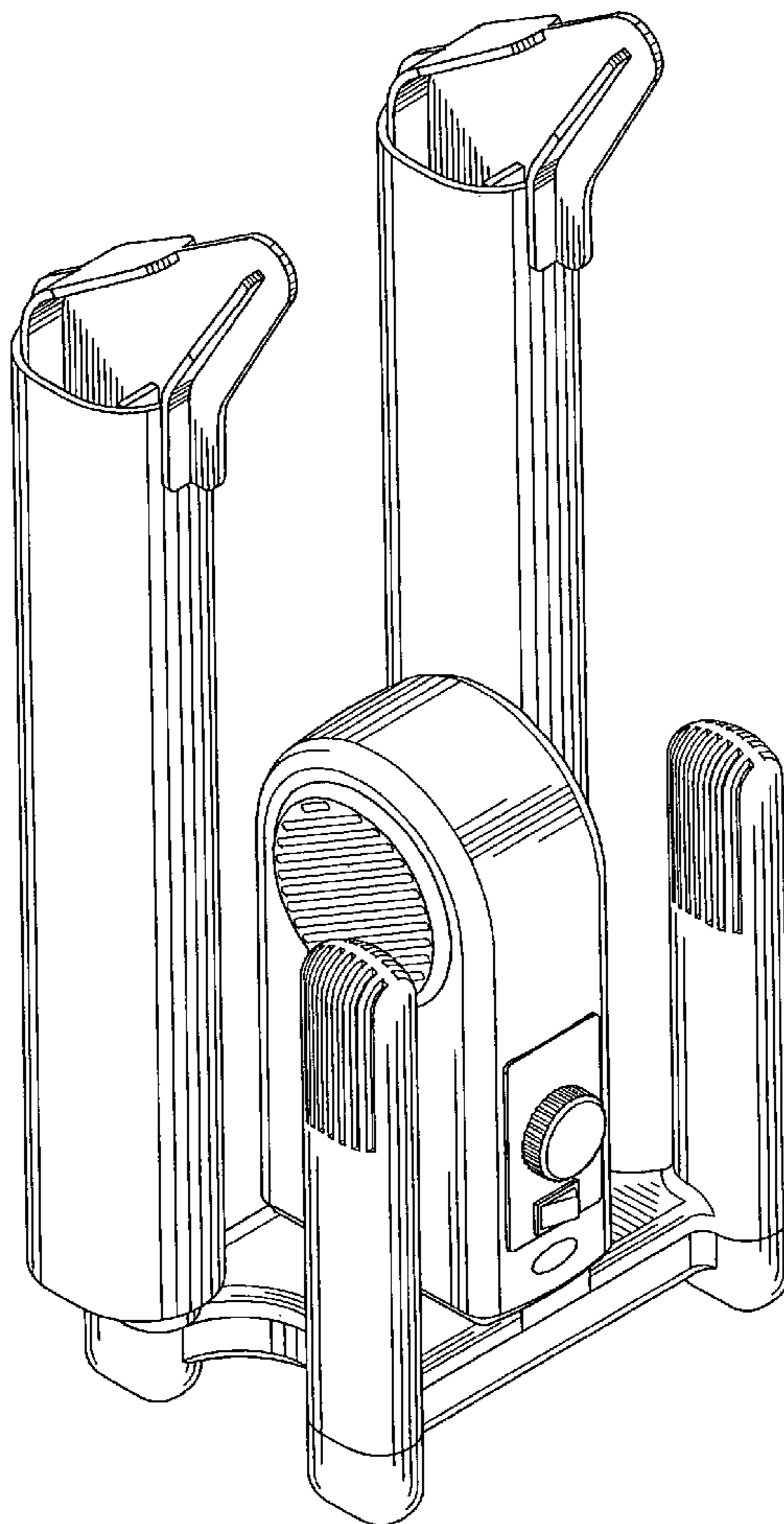
FIG. 4 is a back elevational view of the invention.

FIG. 5 is a right side elevational view of the invention.

FIG. 6 is a top plan view of the invention; and,

FIG. 7 is a bottom plan view of the invention.

1 Claim, 4 Drawing Sheets



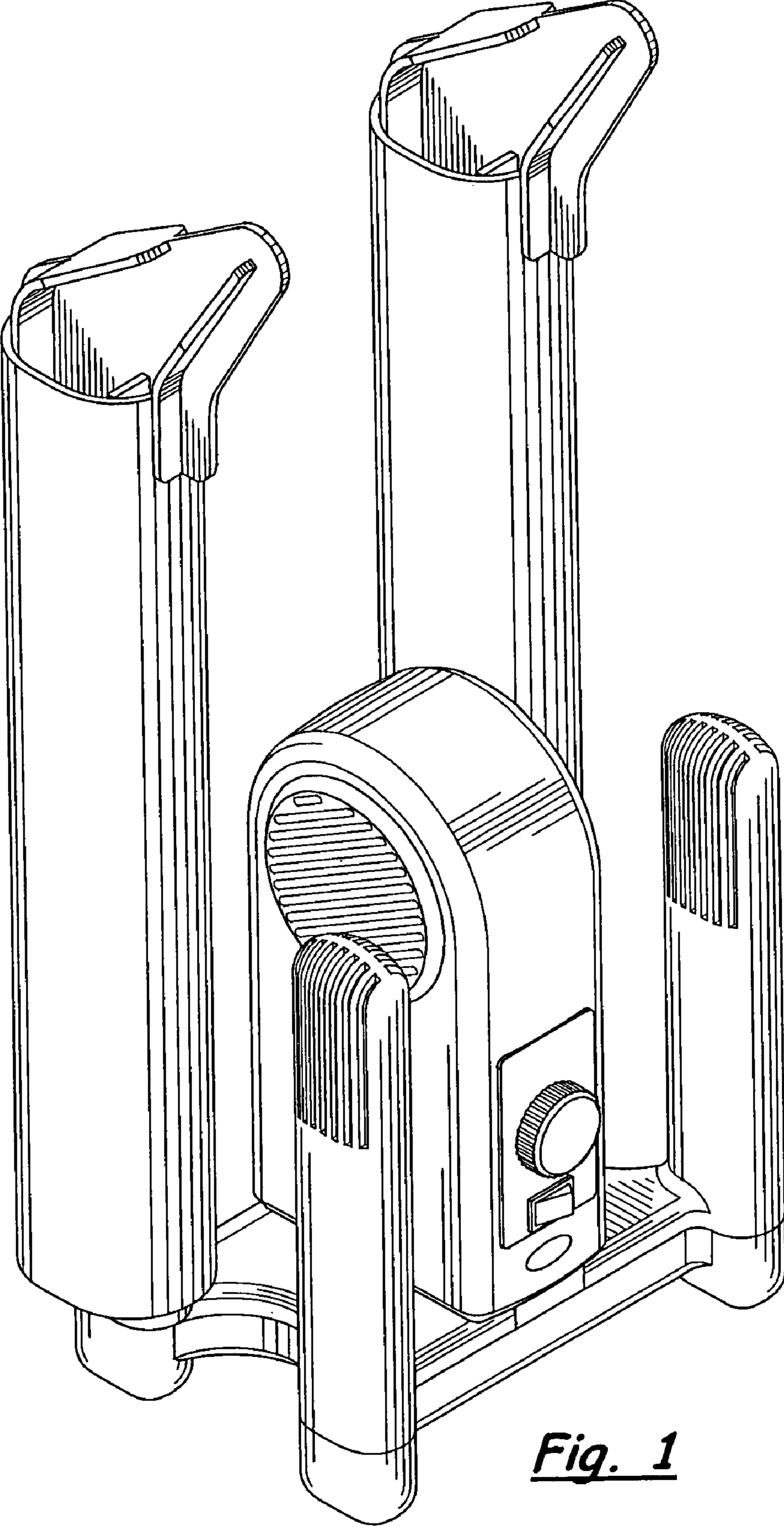


Fig. 1

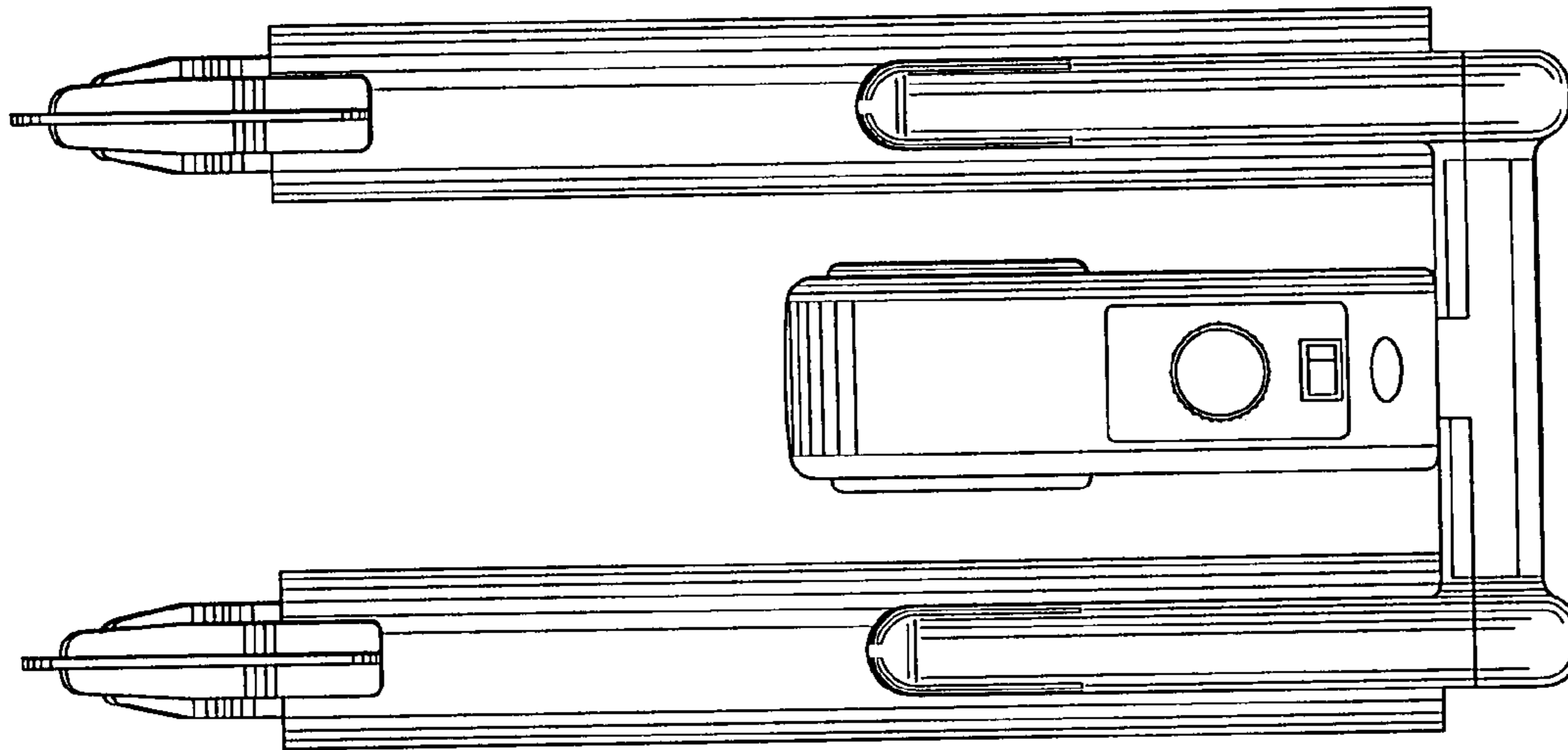


Fig. 2

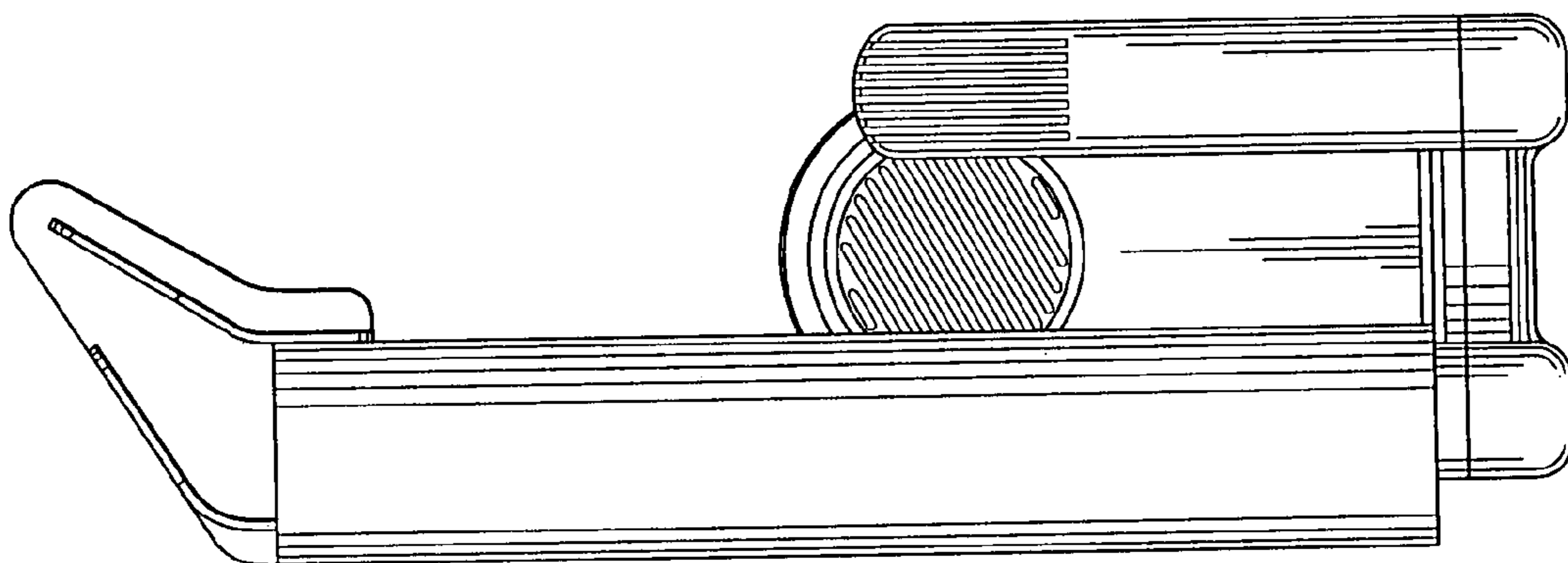


Fig. 3

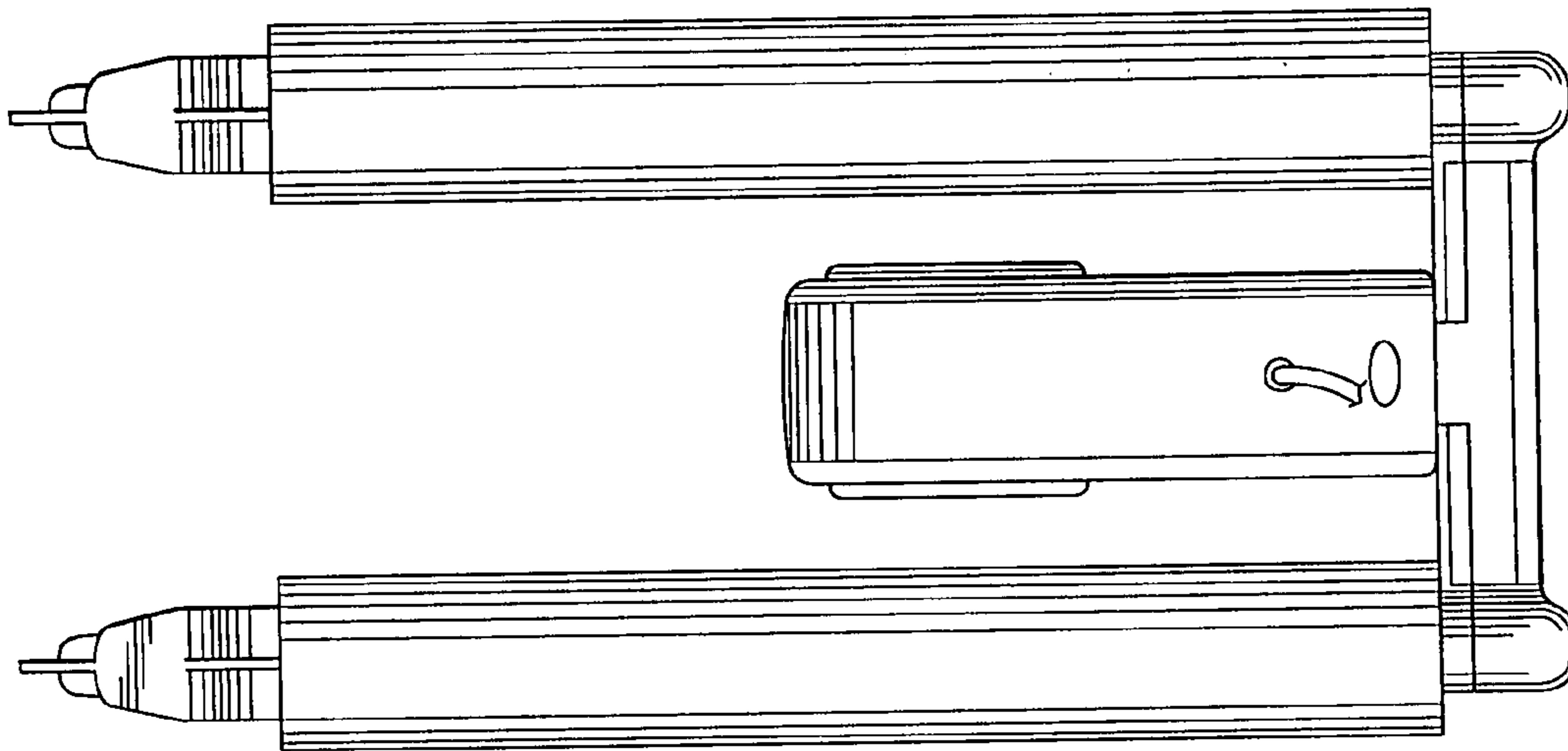


Fig. 4

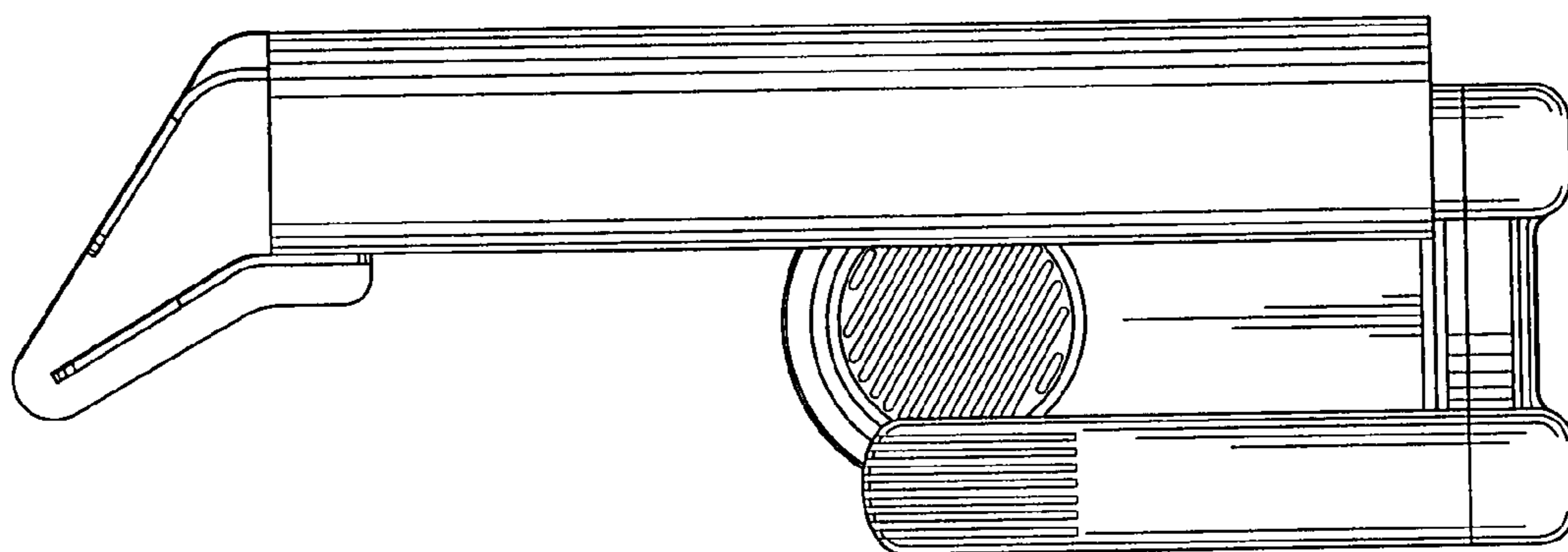


Fig. 5

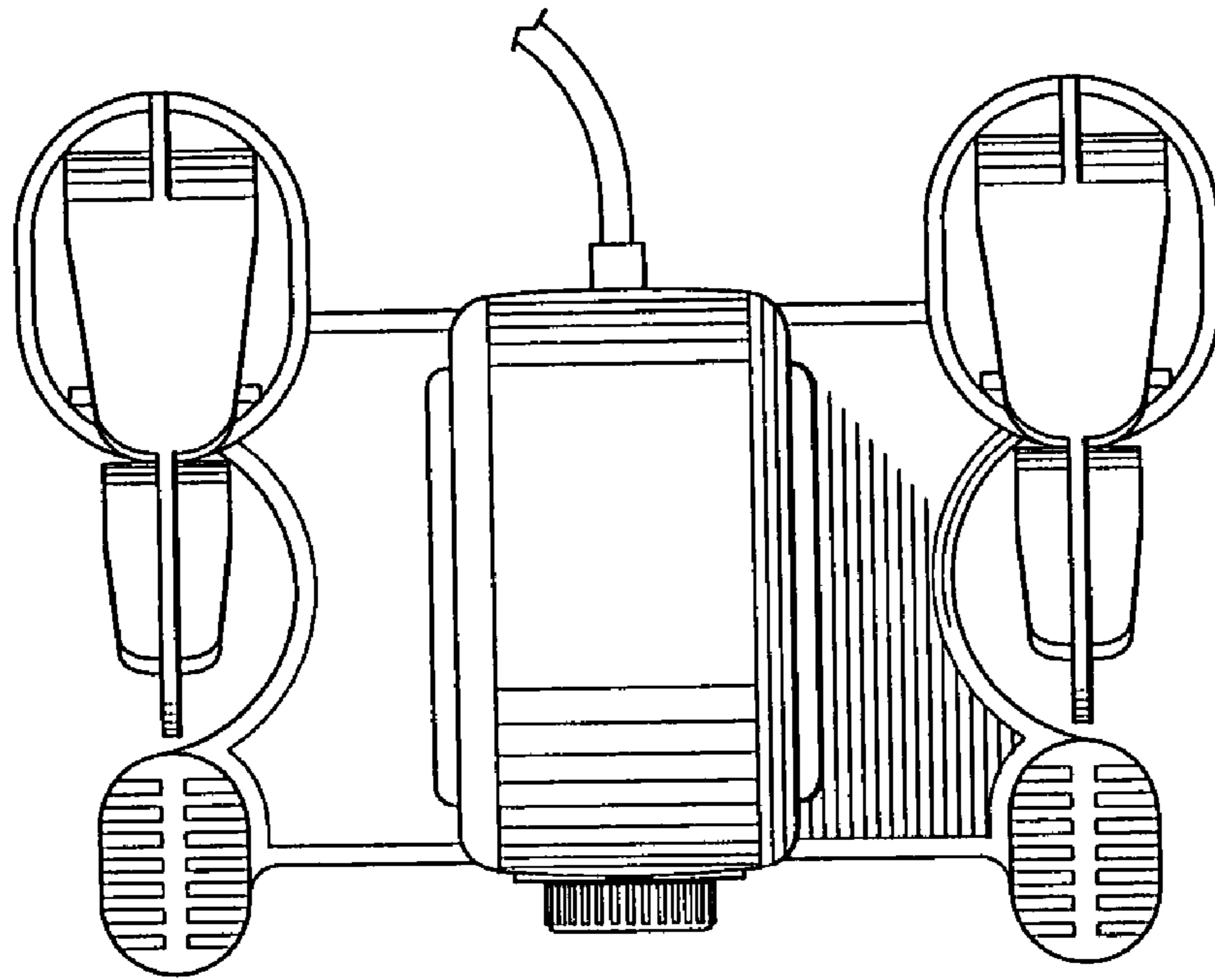


Fig. 6

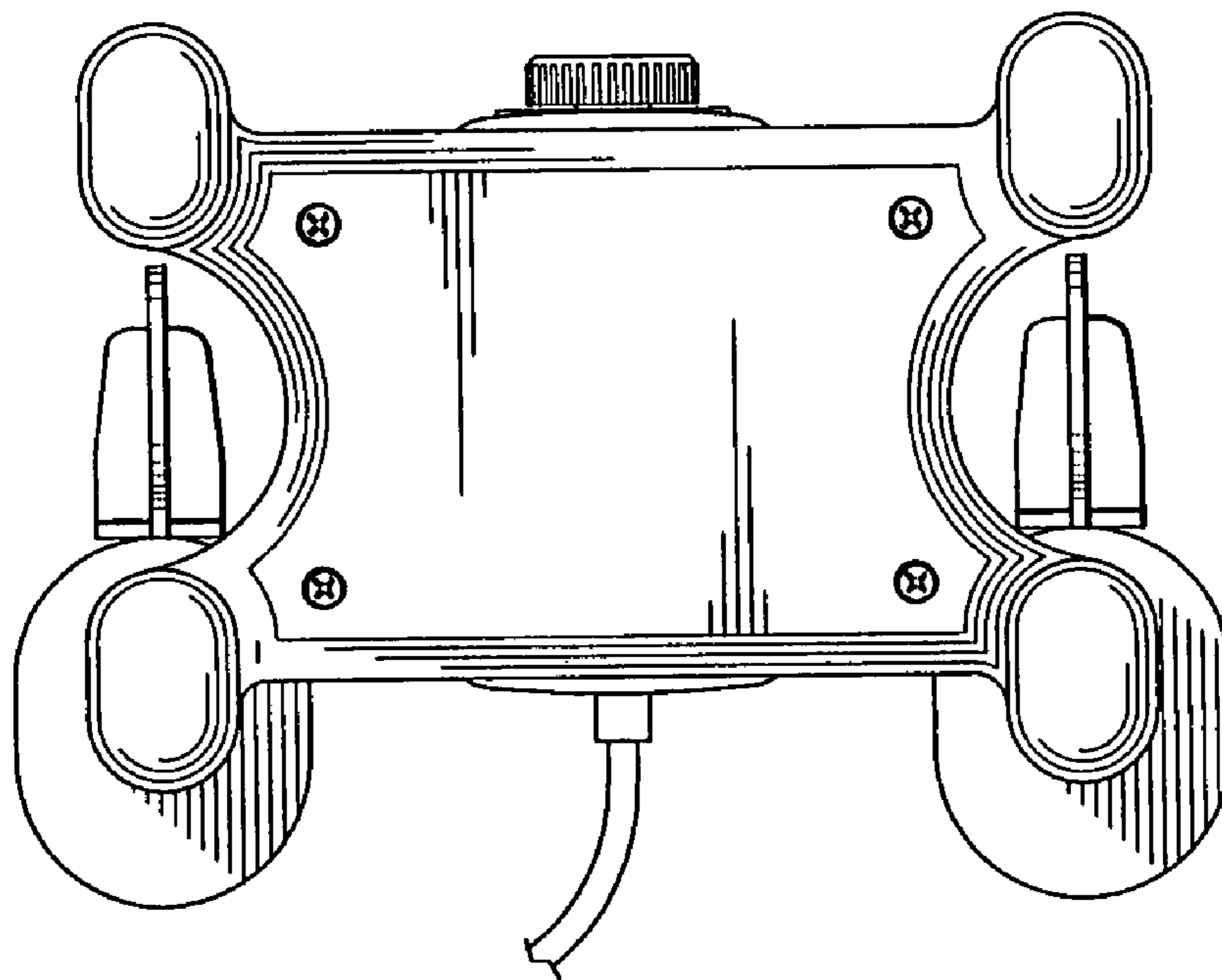


Fig. 7