



US00D576772S

(12) **United States Design Patent**  
**Bates**

(10) **Patent No.:** **US D576,772 S**  
(45) **Date of Patent:** **\*\* Sep. 9, 2008**

(54) **PAINT ROLLER CLEANER**

(76) Inventor: **Jonathan L. Bates**, 5007 66<sup>th</sup> Ave. NE.,  
Marysville, WA (US) 98270

(\*\*) Term: **14 Years**

(21) Appl. No.: **29/292,944**

(22) Filed: **Nov. 2, 2007**

(51) **LOC (8) Cl.** ..... **07-07**

(52) **U.S. Cl.** ..... **D32/54**

(58) **Field of Classification Search** ..... D32/54,  
D32/53, 53.1; 134/138; 220/495.02, 203.03,  
220/377; D9/449, 531, 443, 454, 435, 906,  
D9/503

See application file for complete search history.

(56) **References Cited**

U.S. PATENT DOCUMENTS

2,831,488	A	4/1958	Anderson	
2,938,368	A	5/1960	Bixel	
3,133,548	A	5/1964	Carr	
3,688,785	A	9/1972	Stevens et al.	
3,730,195	A	5/1973	Kay	
3,755,840	A	9/1973	Barger	
3,886,960	A	6/1975	Krueger	
3,901,256	A *	8/1975	Habostad	..... 134/138
4,061,153	A	12/1977	Doherty	
4,130,124	A	12/1978	Sherwin	
4,311,158	A	1/1982	Harvey	
4,446,590	A	5/1984	Kirchner, Jr. et al.	
4,641,673	A	2/1987	Conley et al.	
4,672,987	A	6/1987	Brandt	
4,700,728	A	10/1987	Patterson	
4,708,152	A	11/1987	Hibberd	
4,733,679	A	3/1988	Dolcater	
4,832,066	A	5/1989	Shipman	
5,005,598	A	4/1991	Hodgdon	
5,050,626	A	9/1991	Brockage et al.	
5,095,928	A	3/1992	Phipps	
5,337,769	A	8/1994	Howe	
5,363,869	A	11/1994	McDowell	
D354,438	S *	1/1995	Miller	..... D9/438

5,409,027	A	4/1995	Glunt	
5,413,133	A	5/1995	Russell	
5,487,399	A	1/1996	Hannah	
5,505,220	A	4/1996	Gorecki	
5,743,425	A *	4/1998	Ellis	..... 220/254.2
5,816,275	A	10/1998	Mullen	
5,839,459	A	11/1998	Bisby	
6,019,111	A	2/2000	Gillies	
6,450,185	B1	9/2002	Sallinen	
D467,049	S *	12/2002	Kohn	..... D32/53.1
D480,968	S *	10/2003	Atkins et al.	..... D9/449
D485,955	S *	1/2004	Johnson	..... D32/54
6,783,019	B2 *	8/2004	Zettle et al.	..... 220/254.3
2003/0177597	A1	9/2003	Wallace, III	
2004/0003835	A1	1/2004	Higgins	
2007/0089765	A1	4/2007	Clark	

\* cited by examiner

*Primary Examiner*—Freda S. Nunn

*Assistant Examiner*—Kevin K Rudzinski

(74) *Attorney, Agent, or Firm*—Carl G. Dowrey

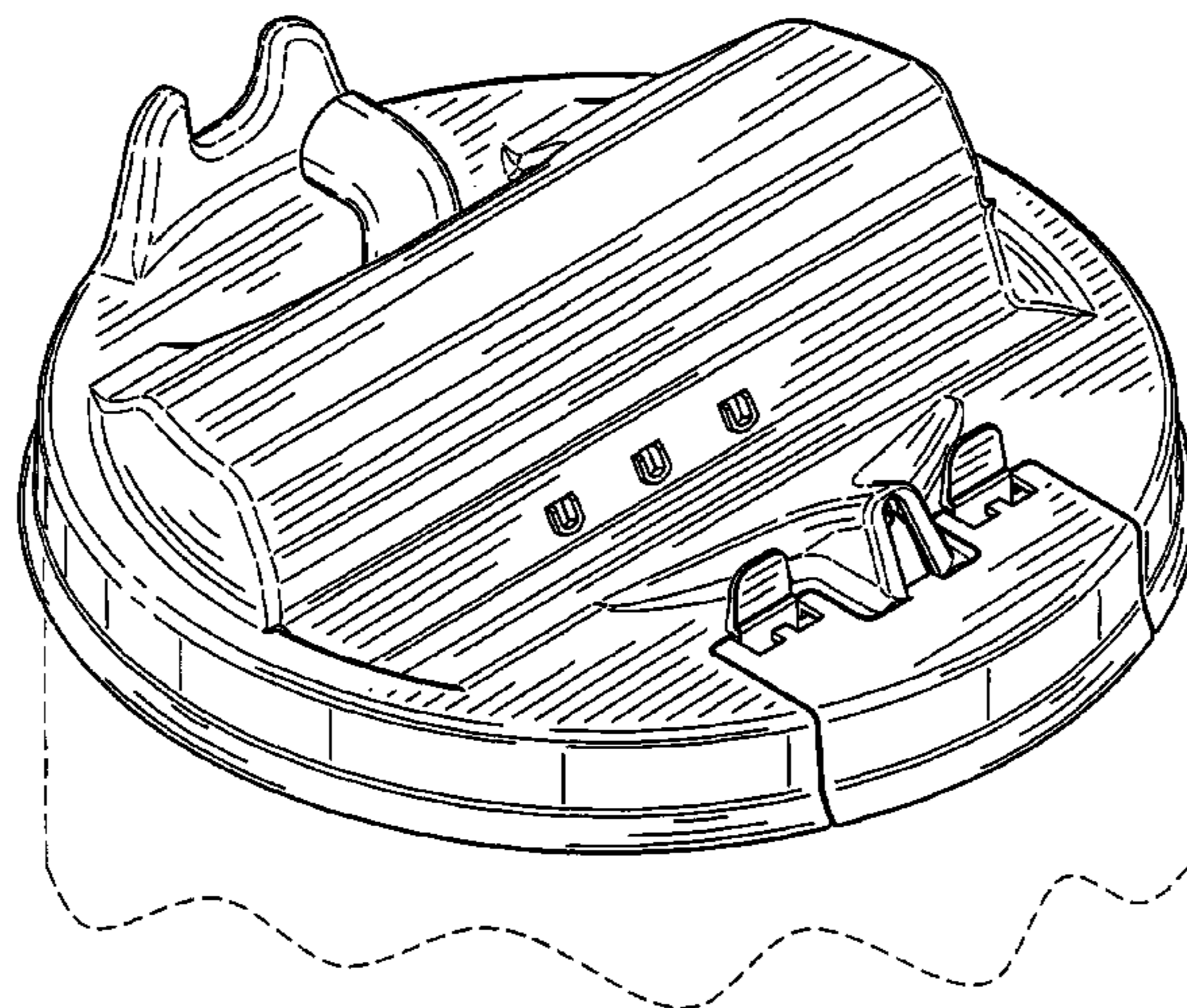
(57) **CLAIM**

The ornamental design for a paint roller cleaner, as shown and described.

**DESCRIPTION**

FIG. 1 is a top perspective view of the paint roller cleaner;  
 FIG. 2 is a right side elevational view of the paint roller cleaner;  
 FIG. 3 is a top plan view of the paint roller cleaner;  
 FIG. 4 is a bottom plan view of the paint roller cleaner;  
 FIG. 5 is a front elevational view of the paint roller cleaner;  
 FIG. 6 is a rear elevational view of the paint roller cleaner;  
 and,  
 FIG. 7 is a bottom perspective view of the paint roller cleaner.  
 The broken line showing of the container in FIG. 1 is included for the purpose of illustrating environmental structure only and forms no part of the claimed design.

**1 Claim, 5 Drawing Sheets**



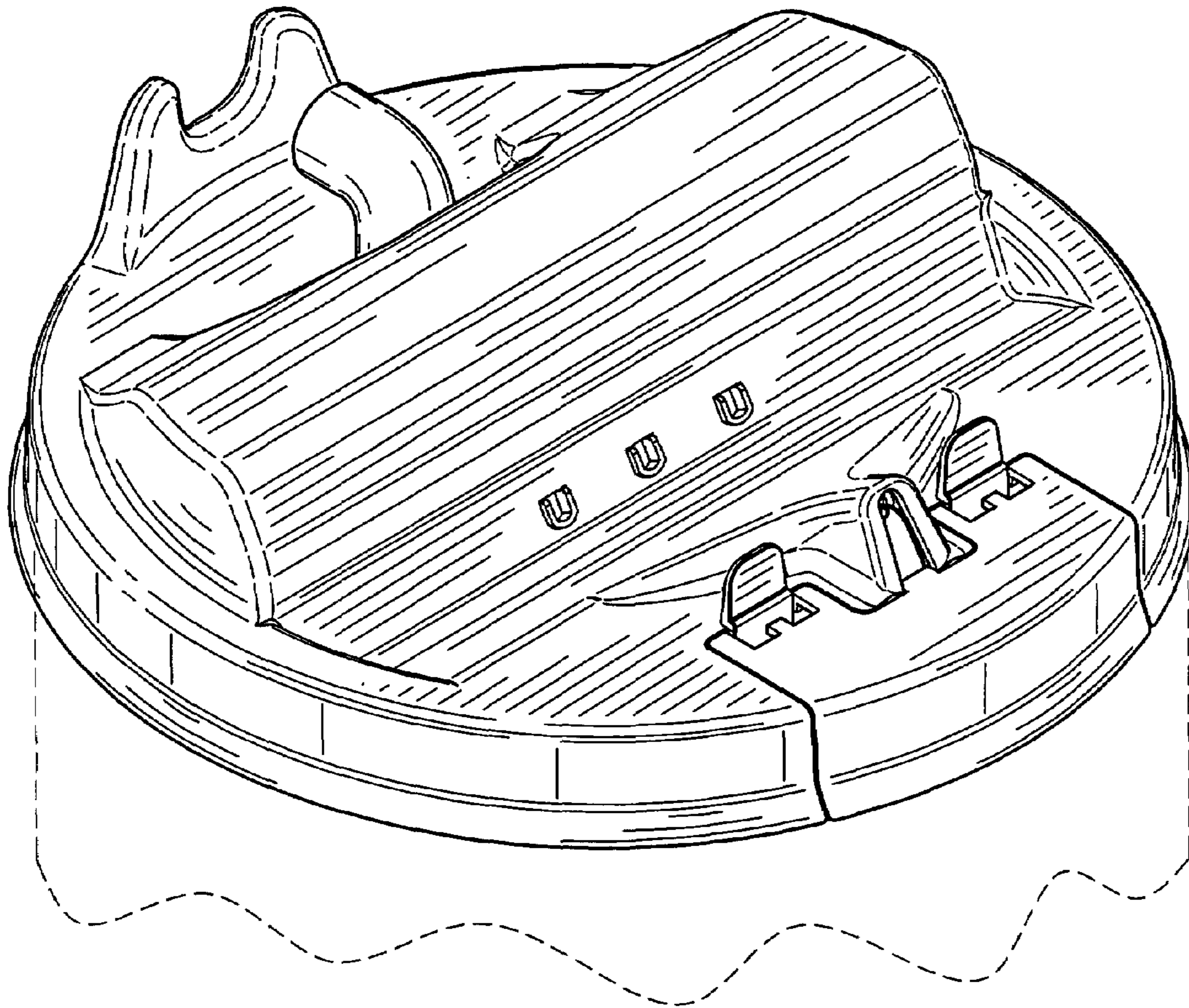


FIG. 1

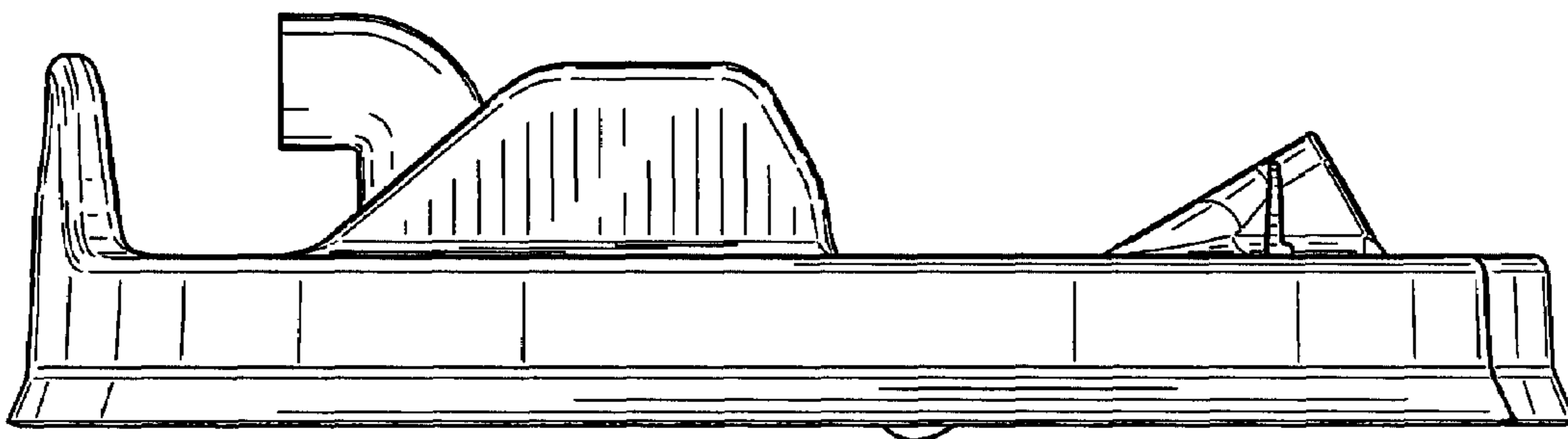


FIG. 2

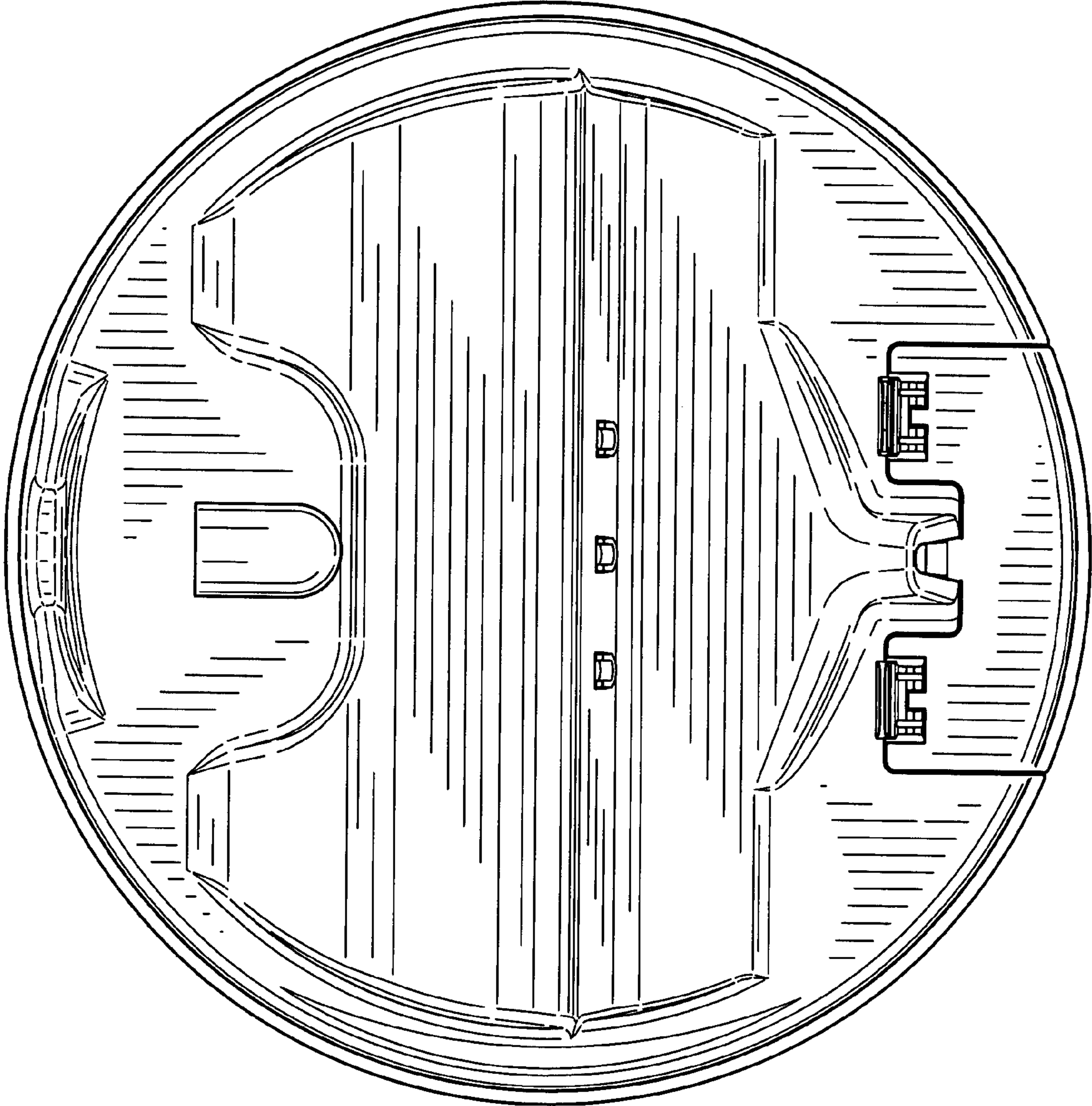


FIG. 3

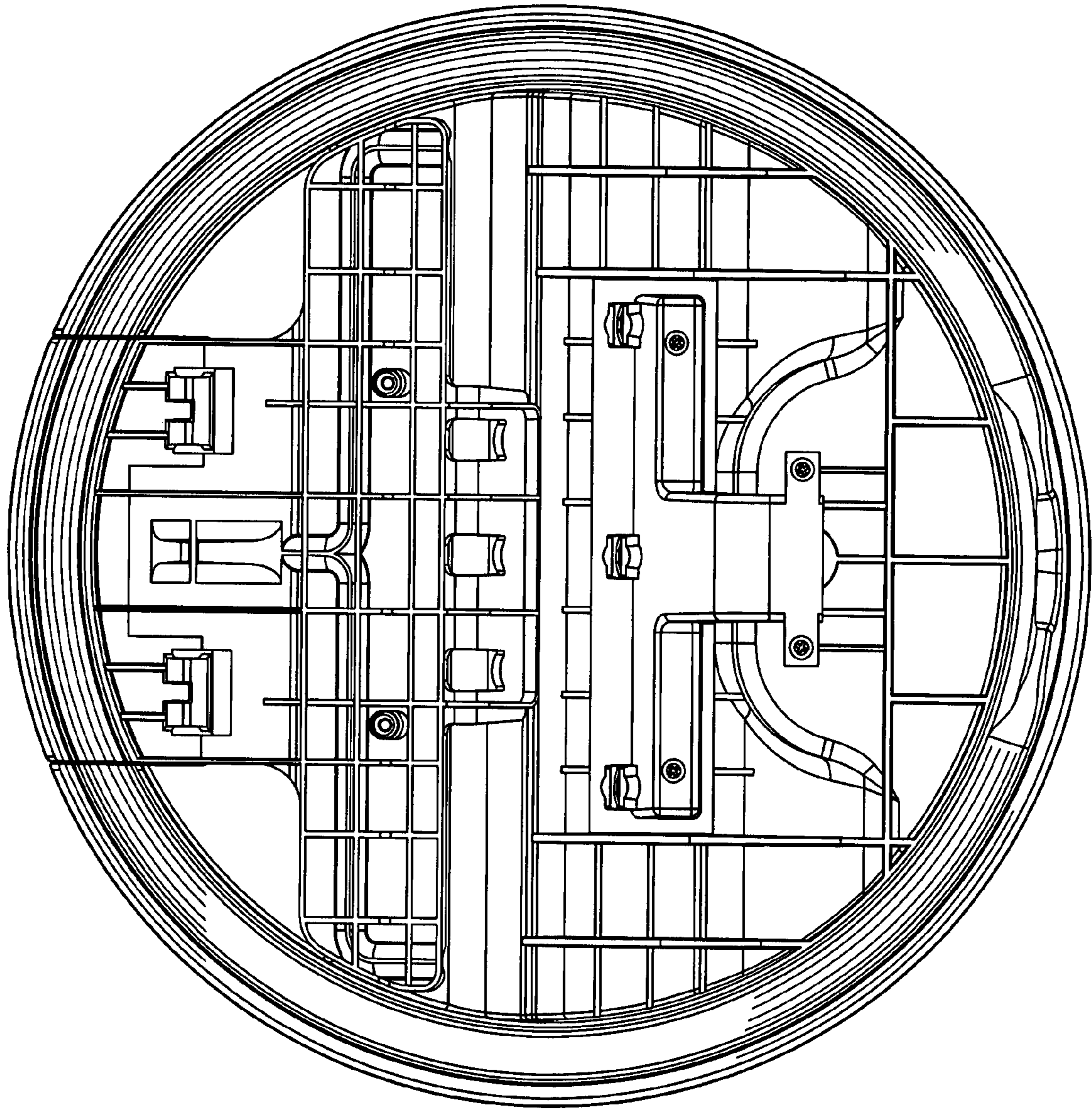


FIG.4

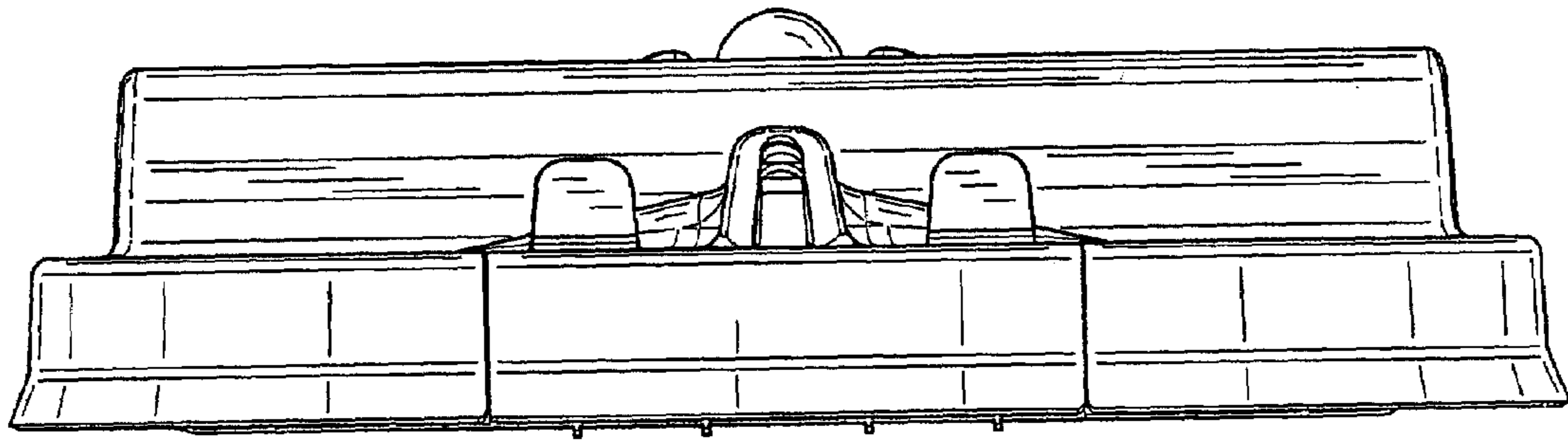


FIG. 5

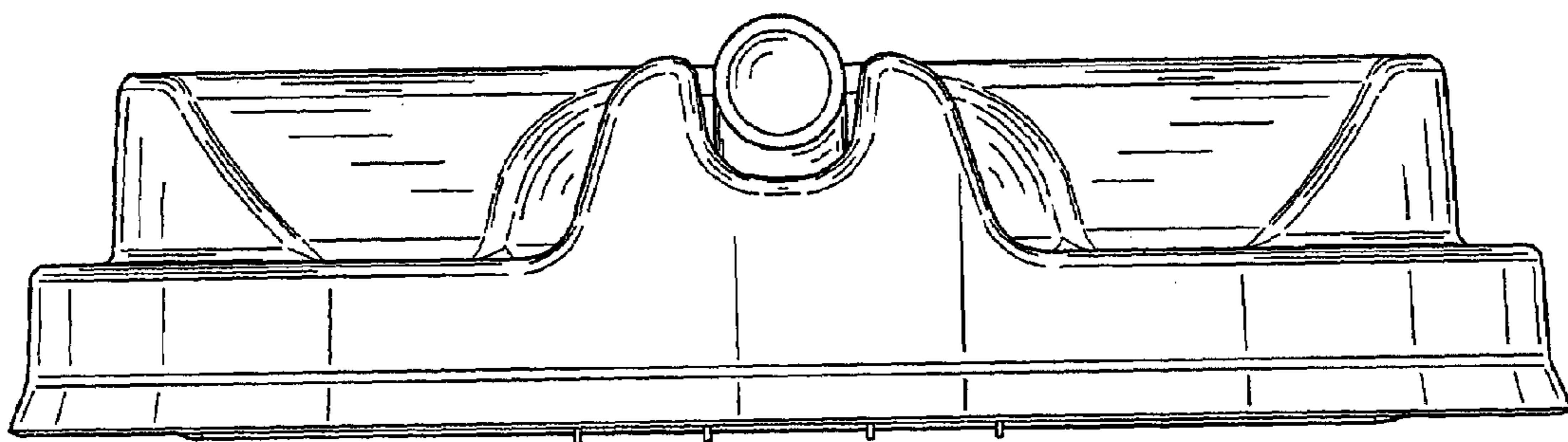


FIG. 6

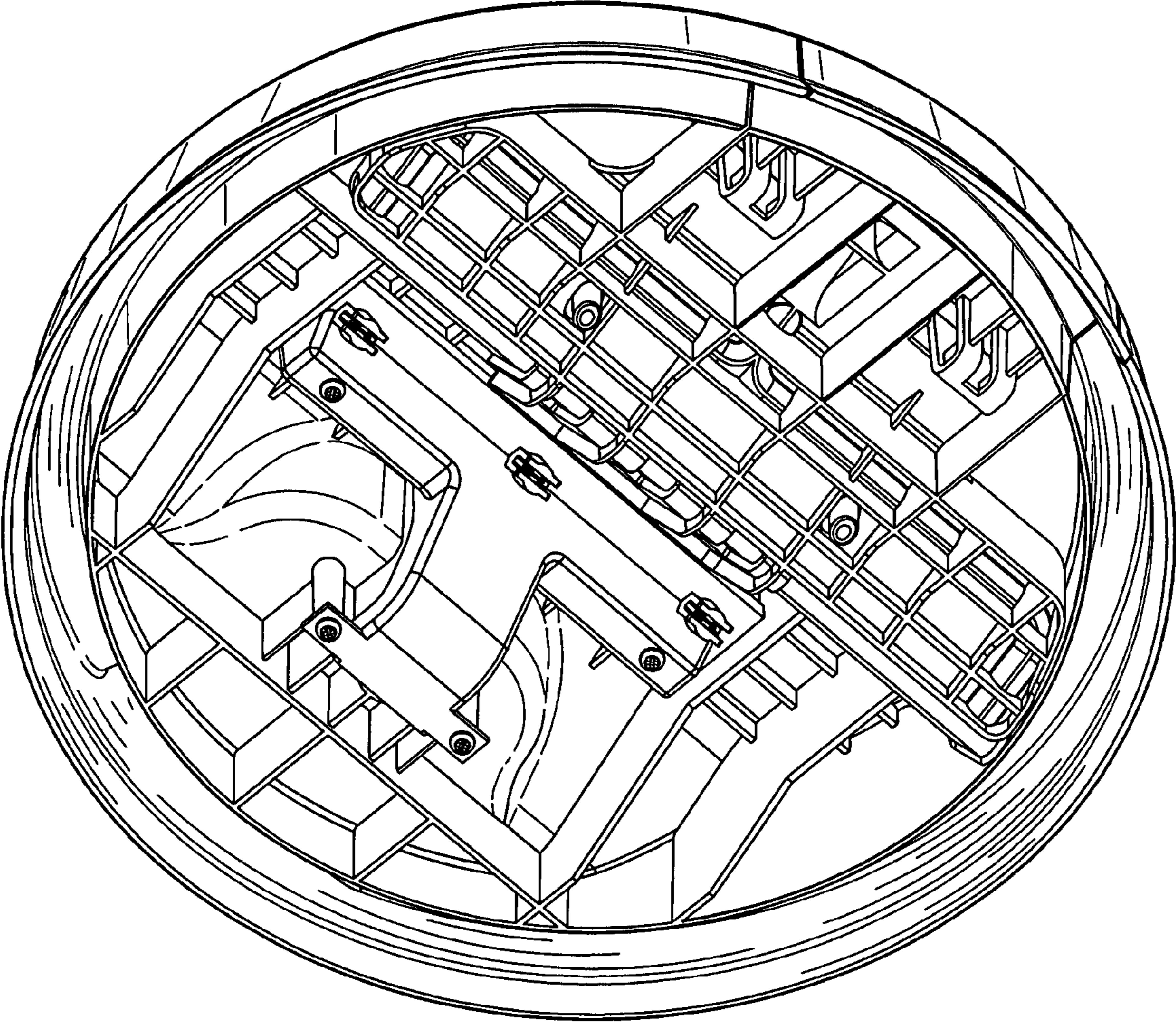


FIG. 7