



US00D576771S

(12) **United States Design Patent**
Reiner

(10) **Patent No.:** **US D576,771 S**

(45) **Date of Patent:** **** Sep. 9, 2008**

(54) **BASE FOR A GARMENT STEAMER**

(75) Inventor: **Guillaume Reiner**, Lyons (FR)

(73) Assignee: **Rowenta Werke GmbH**, Offenbach am Main (DE)

(**) Term: **14 Years**

(21) Appl. No.: **29/282,781**

(22) Filed: **Jul. 30, 2007**

(30) **Foreign Application Priority Data**

Feb. 1, 2007 (FR) 07 0500

(51) **LOC (8) Cl.** **15-05**

(52) **U.S. Cl.** **D32/9**

(58) **Field of Classification Search** D32/9,
D32/68-73, 17-18, 21, 23-24, 31-33; 68/5 R,
68/222, 5 A; 38/85, 82, 77.8, 81, 94, 77.83,
38/79, 96; 392/405, 324, 333, 342, 379,
392/403; 219/259, 242, 254, 246; 8/149.3;
15/344, 329, 320-322, 415.1-422.1, 327.1-327.2,
15/327.6-327.7

See application file for complete search history.

(56) **References Cited**

U.S. PATENT DOCUMENTS

D324,280 S * 2/1992 Goodrich D32/21
D352,146 S * 11/1994 Wulff D32/24
5,609,047 A * 3/1997 Hellman et al. 68/222
D383,573 S * 9/1997 Saunders D32/21
D451,653 S * 12/2001 Berreth et al. D32/17
D452,594 S * 12/2001 Rosa D32/21

D464,180 S * 10/2002 Chen D32/9
D497,693 S * 10/2004 Hecker et al. D32/17
D504,198 S * 4/2005 Hopper et al. D32/17
6,886,373 B2 * 5/2005 Carrubba et al. 68/222
D537,215 S * 2/2007 Foersterling D32/9
D561,958 S * 2/2008 Hahn D32/17
2004/0144140 A1 * 7/2004 Lee 68/222

OTHER PUBLICATIONS

Conair-Compact Fabric Steamer (model: GS4), copyright 2007
Conair Corporation, one page.

* cited by examiner

Primary Examiner—Ruth McInroy

(74) *Attorney, Agent, or Firm*—Oblon, Spivak, McClelland,
Maier & Neustadt, P.C.

(57) **CLAIM**

The ornamental design for a base for a garment steamer, as
shown and described.

DESCRIPTION

FIG. 1 is a rear, left, top view of a base for a garment steamer,
showing my design;

FIG. 2 is a right view thereof;

FIG. 3 is a left view thereof;

FIG. 4 is a front view thereof;

FIG. 5 is a rear view thereof;

FIG. 6 is a top view thereof; and,

FIG. 7 is a bottom view thereof.

1 Claim, 7 Drawing Sheets

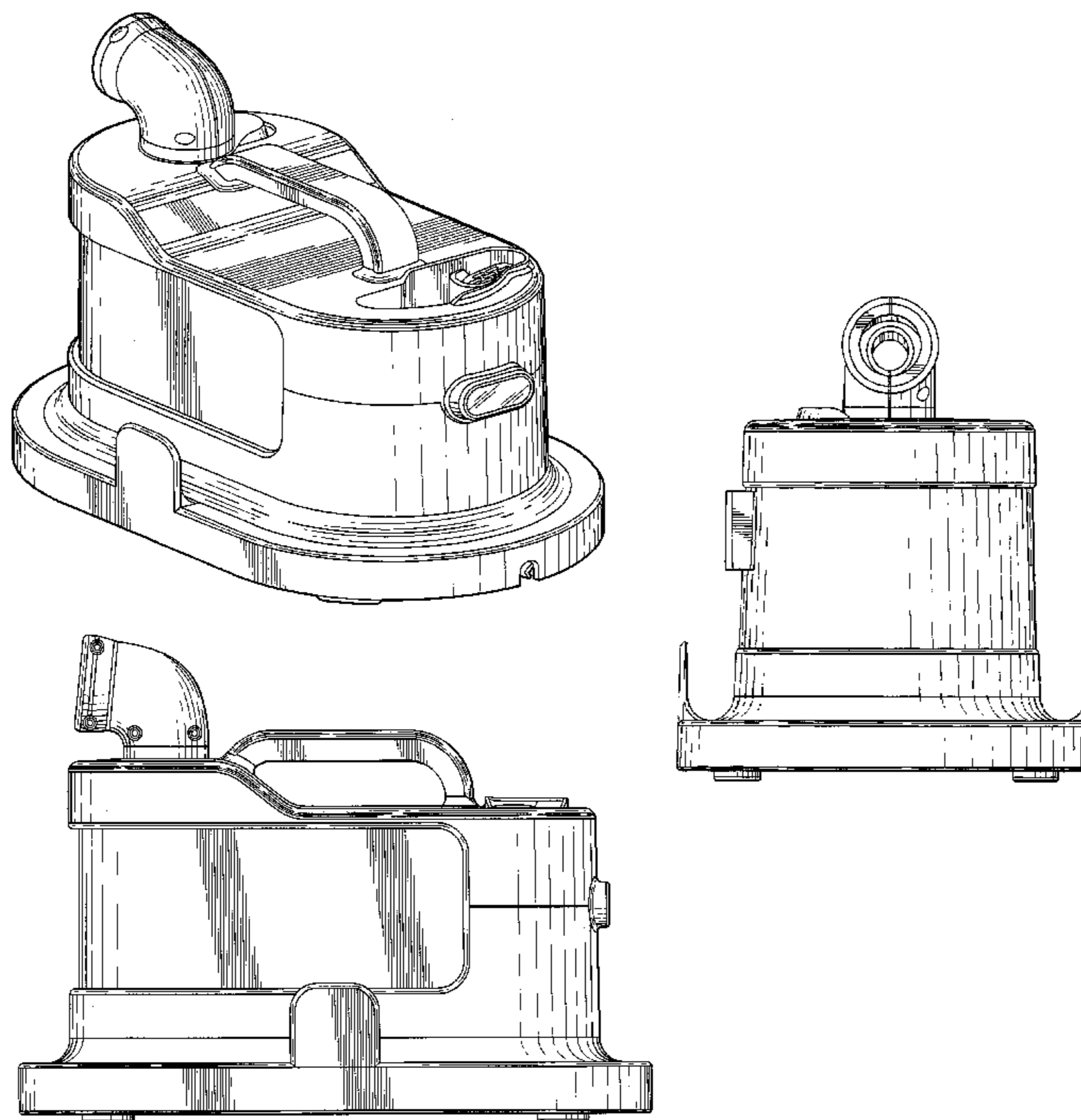
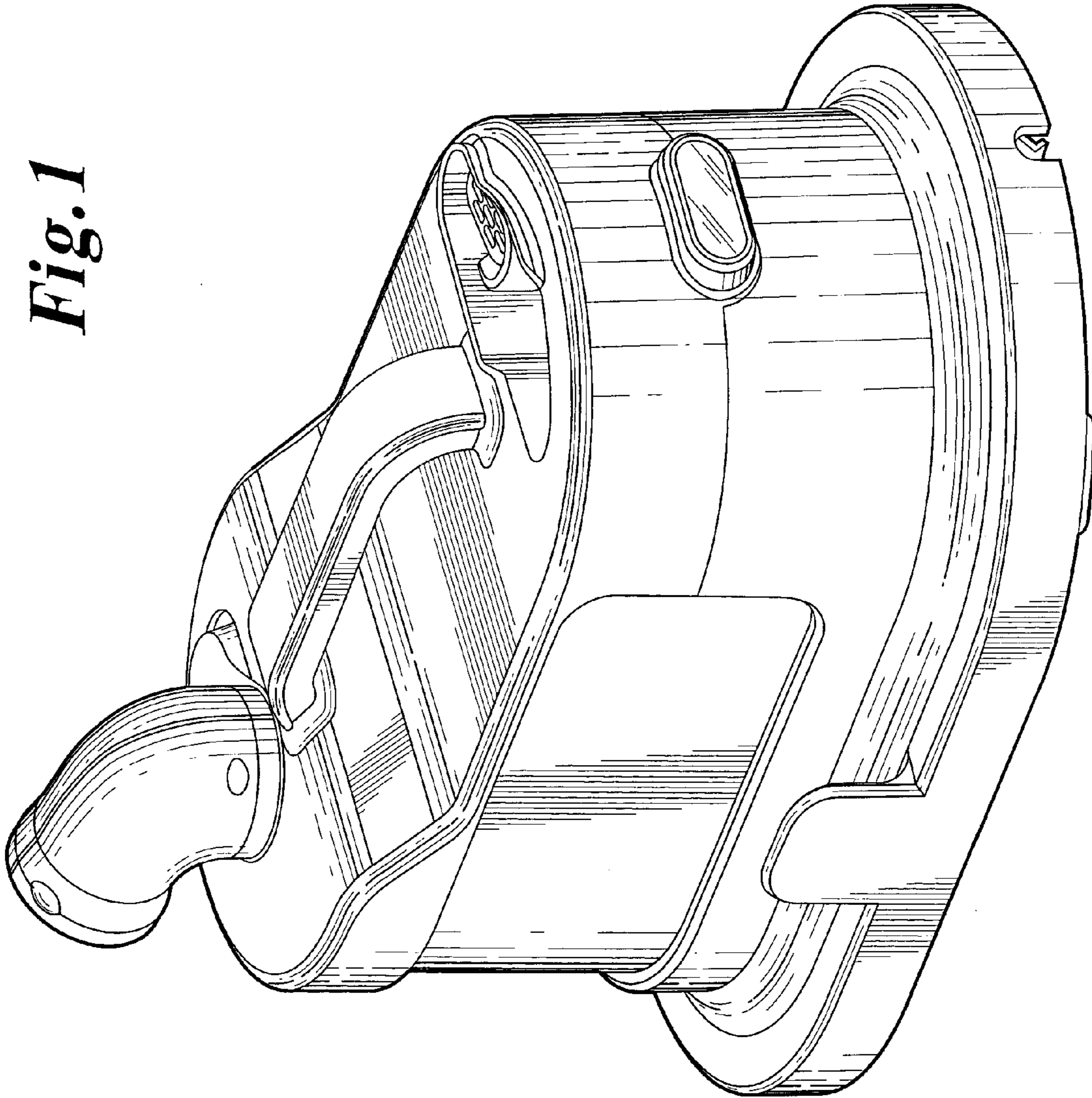


Fig. 1



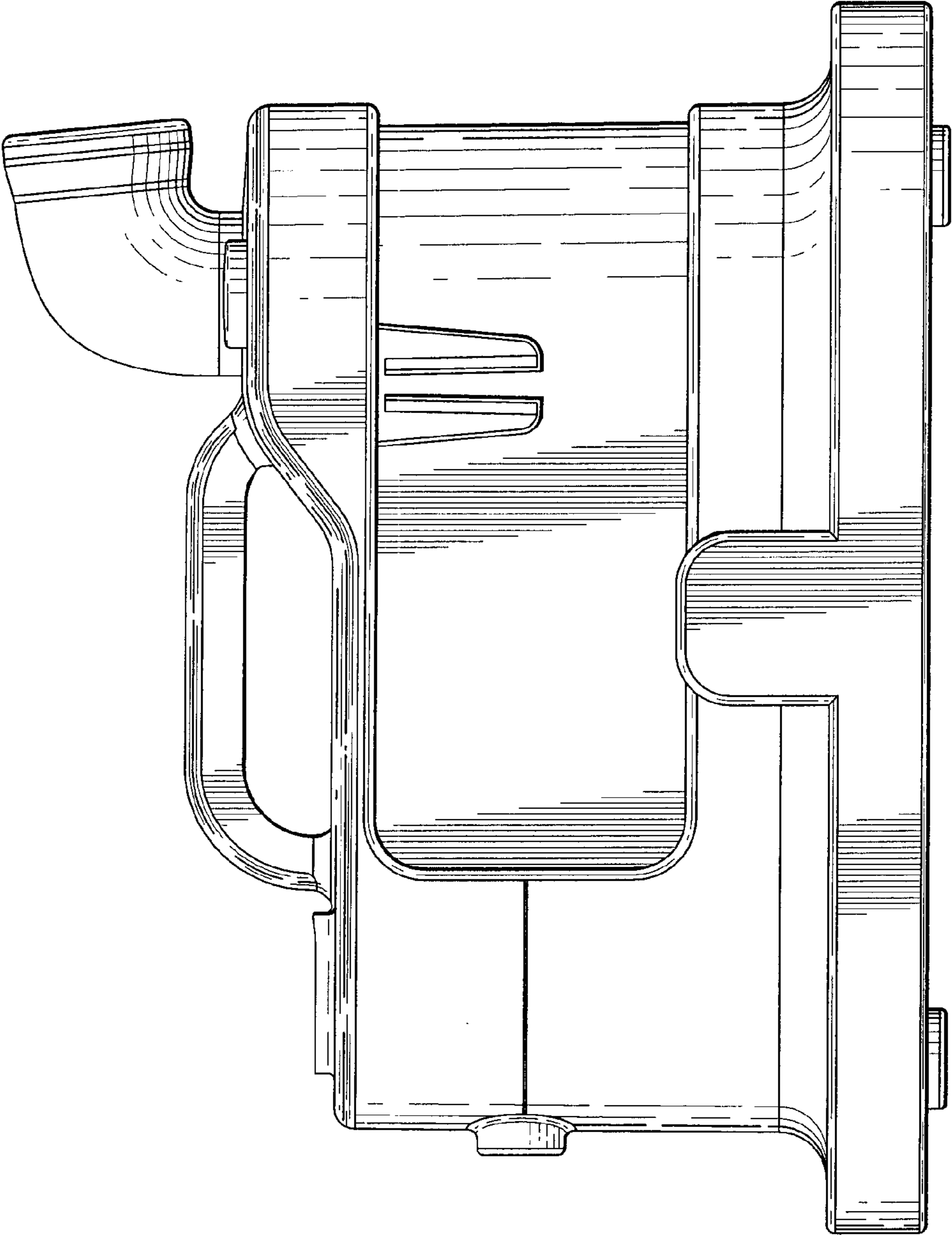


Fig. 2

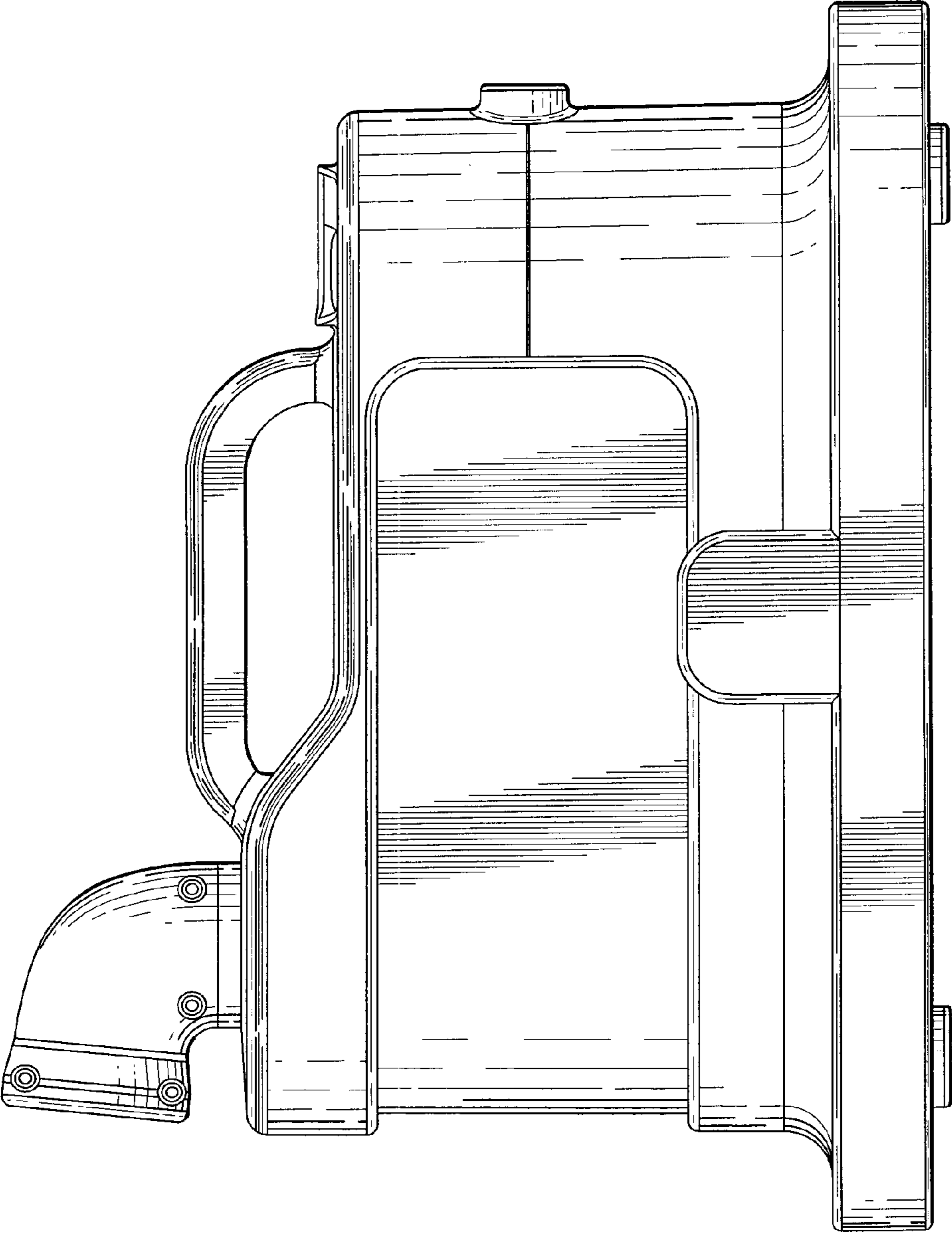


Fig. 3

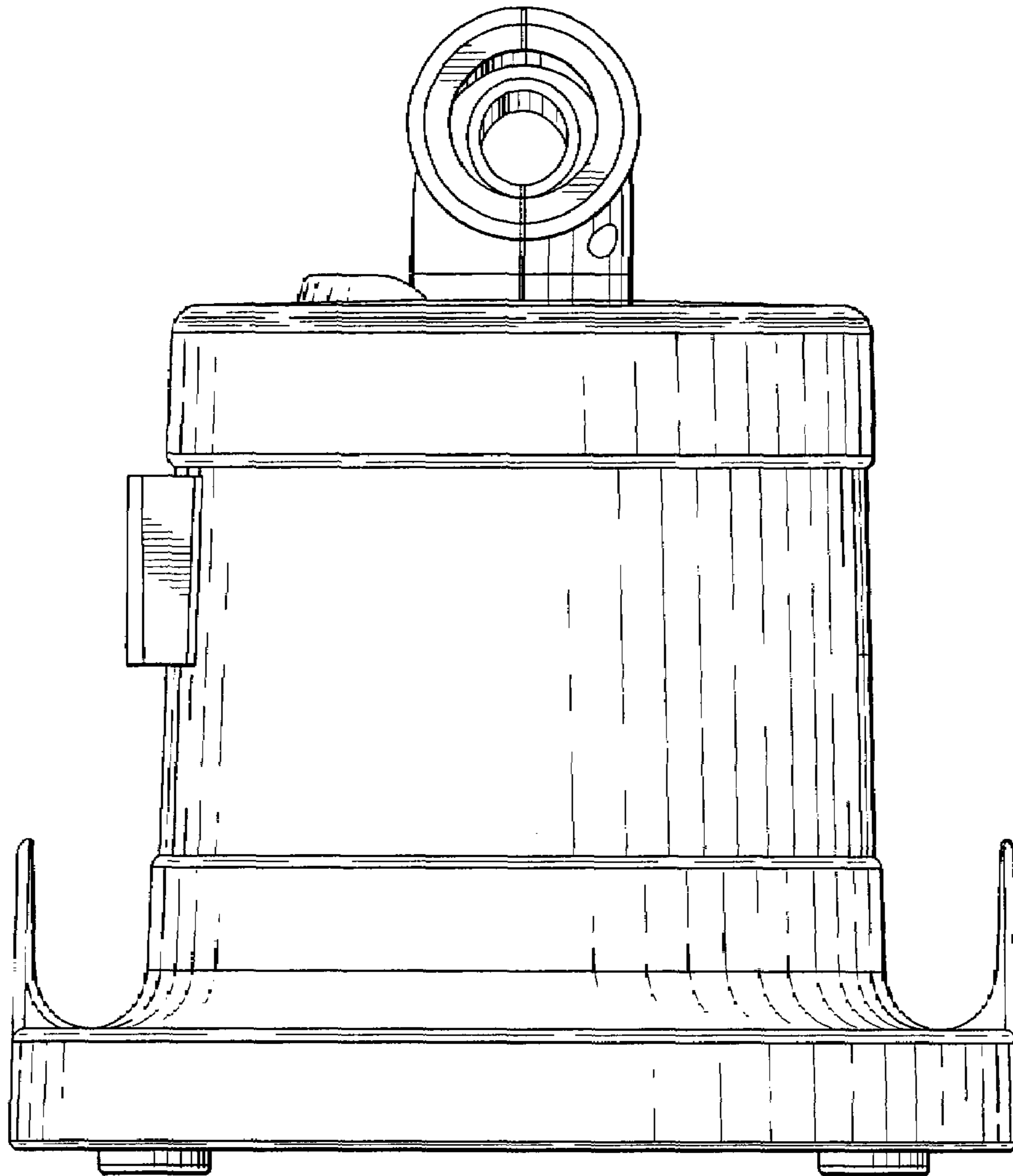


Fig. 4

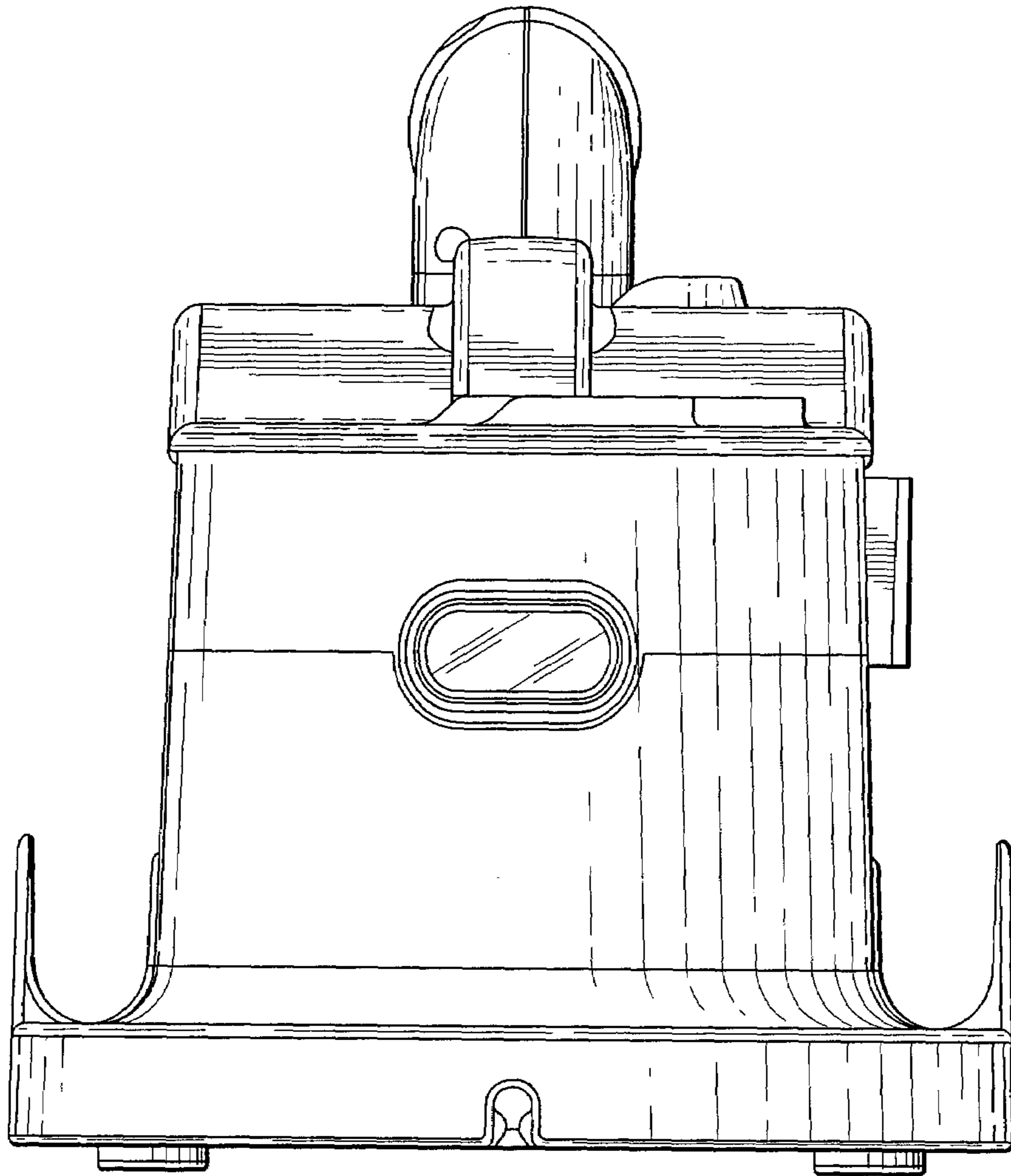


Fig. 5

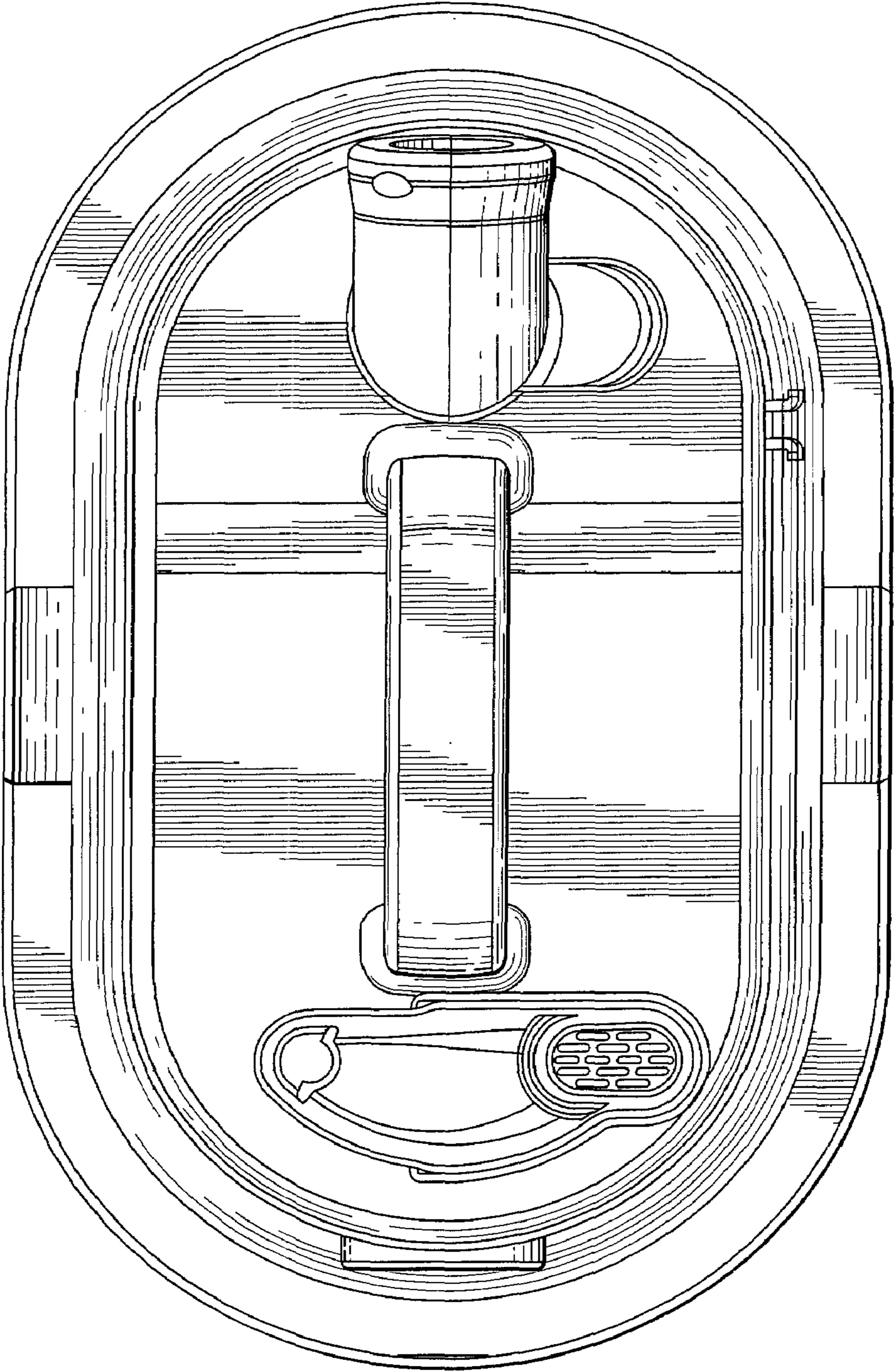


Fig. 6

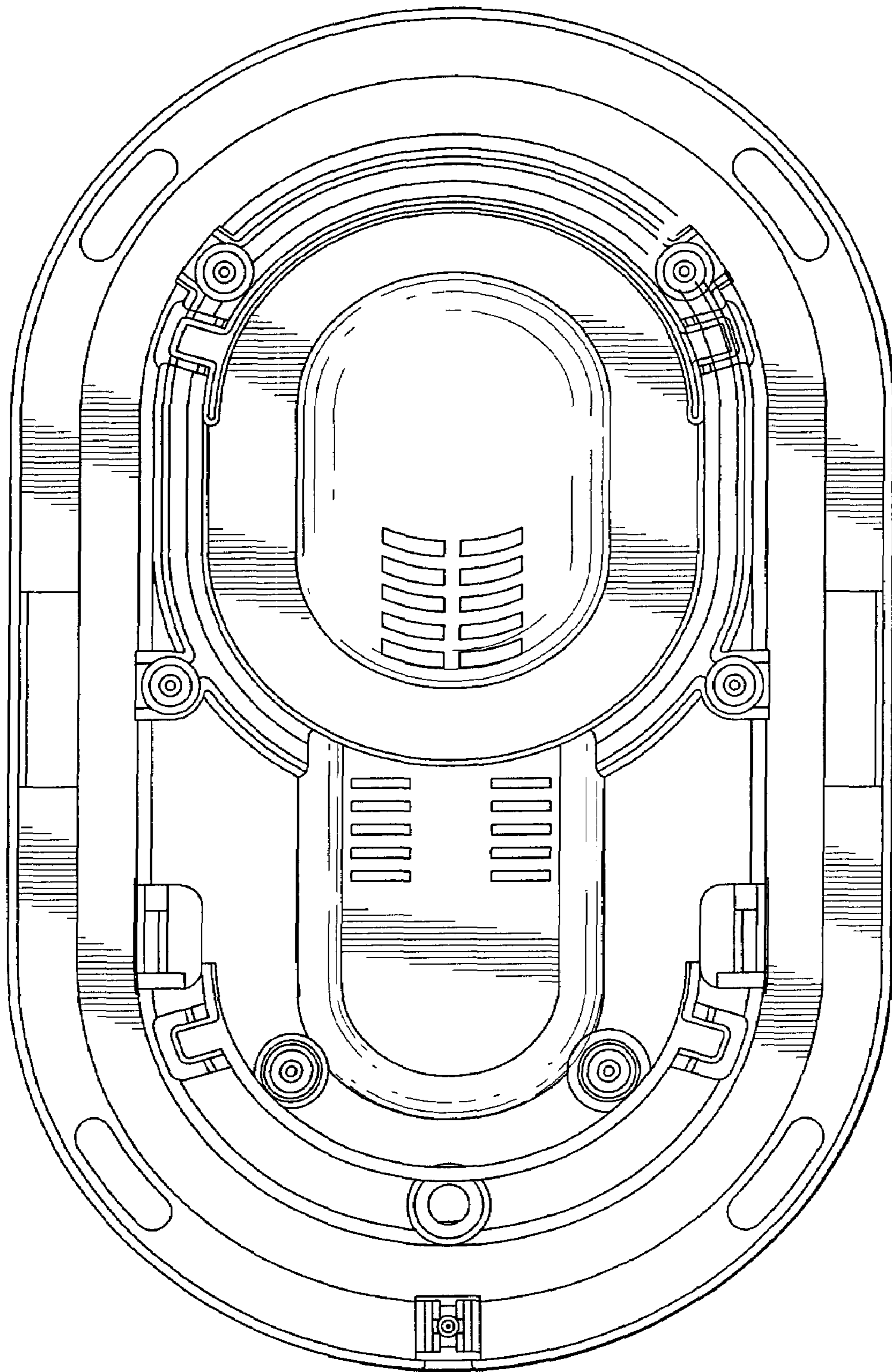


Fig. 7