



US00D576767S

(12) **United States Design Patent**  
**Gutkin**

(10) **Patent No.:** **US D576,767 S**

(45) **Date of Patent:** **\*\* Sep. 9, 2008**

(54) **WALL SCONCE**

(75) Inventor: **Peter Gutkin**, San Francisco, CA (US)

(73) Assignee: **Boyd Lighting Fixture Company**, San Francisco, CA (US)

(\*\*) Term: **14 Years**

(21) Appl. No.: **29/283,954**

(22) Filed: **Aug. 28, 2007**

(51) **LOC (8) Cl.** ..... **26-99**

(52) **U.S. Cl.** ..... **D26/145**

(58) **Field of Classification Search** ..... D26/155,  
D26/87, 85, 128, 72, 79, 113, 118, 145, 124,  
D26/129, 137, 138, 88, 105; 362/147, 151,  
362/351, 368, 370, 432

See application file for complete search history.

(56) **References Cited**

**U.S. PATENT DOCUMENTS**

D73,932 S *	11/1927	Lindsay	.....	D26/145
D308,261 S *	5/1990	Shemitz	.....	D26/87
D448,881 S *	10/2001	Lin	.....	D26/87
D454,654 S *	3/2002	De'Armond et al.	.....	D26/142
D473,002 S *	4/2003	Hoernig	.....	D26/87
D514,246 S *	1/2006	Hoernig	.....	D26/87
D531,348 S *	10/2006	Flores	.....	D26/145
D531,350 S *	10/2006	Flores et al.	.....	D26/155
D535,427 S *	1/2007	Chandler	.....	D26/87
2005/0201082 A1 *	9/2005	Mauk et al.	.....	362/147

\* cited by examiner

*Primary Examiner*—Freda S. Nunn

*Assistant Examiner*—Kevin K Rudzinski

(74) *Attorney, Agent, or Firm*—Heslin Rothenberg Farley & Mesiti P.C.

(57) **CLAIM**

The ornamental design for a wall sconce, as shown and described.

**DESCRIPTION**

FIG. 1 is a perspective view of a wall sconce comprising the new design showing the first embodiment, configured with a crystal bobèche shown in dashed lines;

FIG. 2 is a front elevational view thereof;

FIG. 3 is a right side elevational view thereof, a left side elevational view being a mirror image thereof;

FIG. 4 is bottom view thereof;

FIG. 5 is a perspective view of the wall sconce showing the second embodiment, configured with a plain bobèche shown in dashed lines.

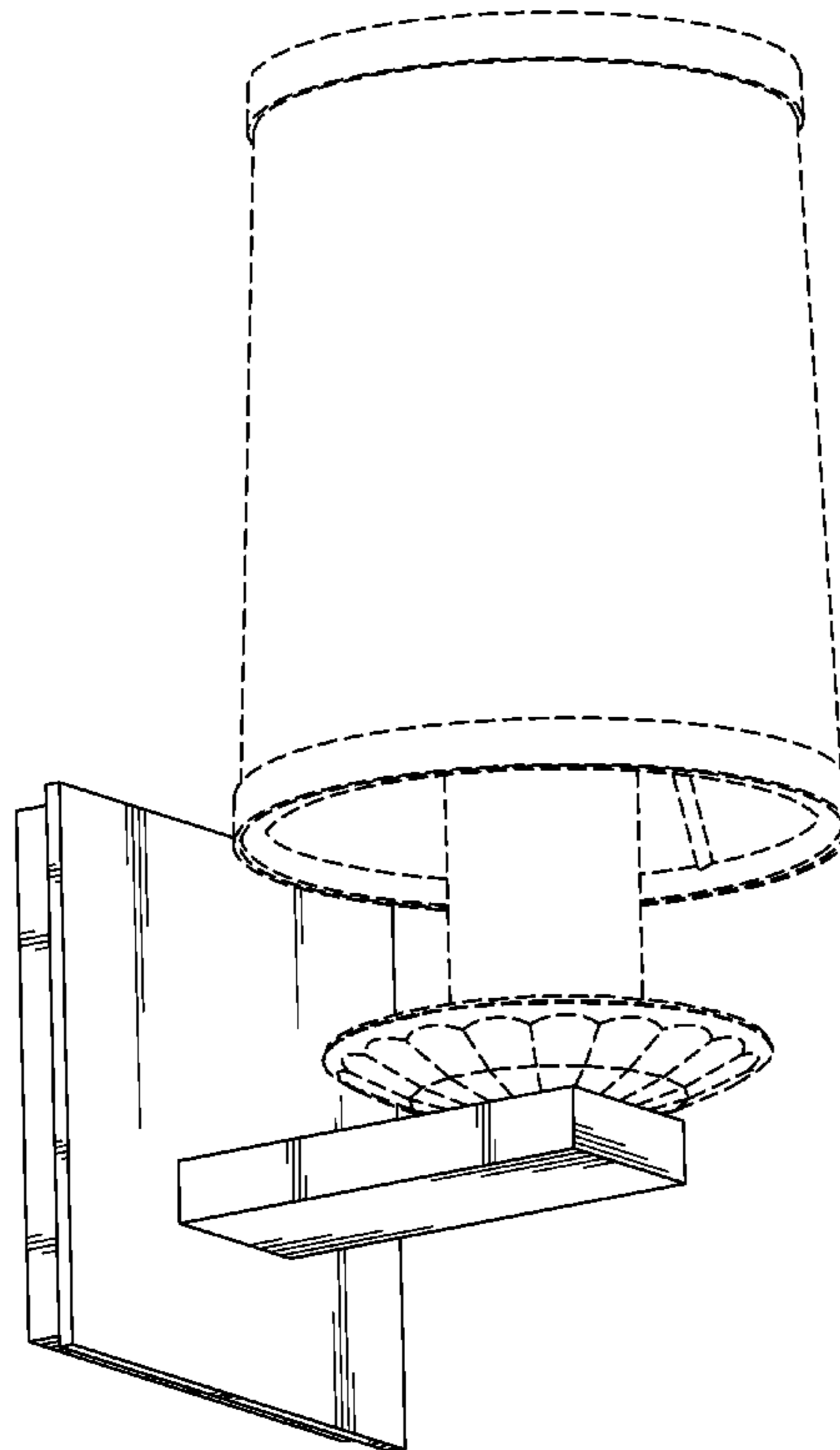
FIG. 6 is a front elevational view thereof;

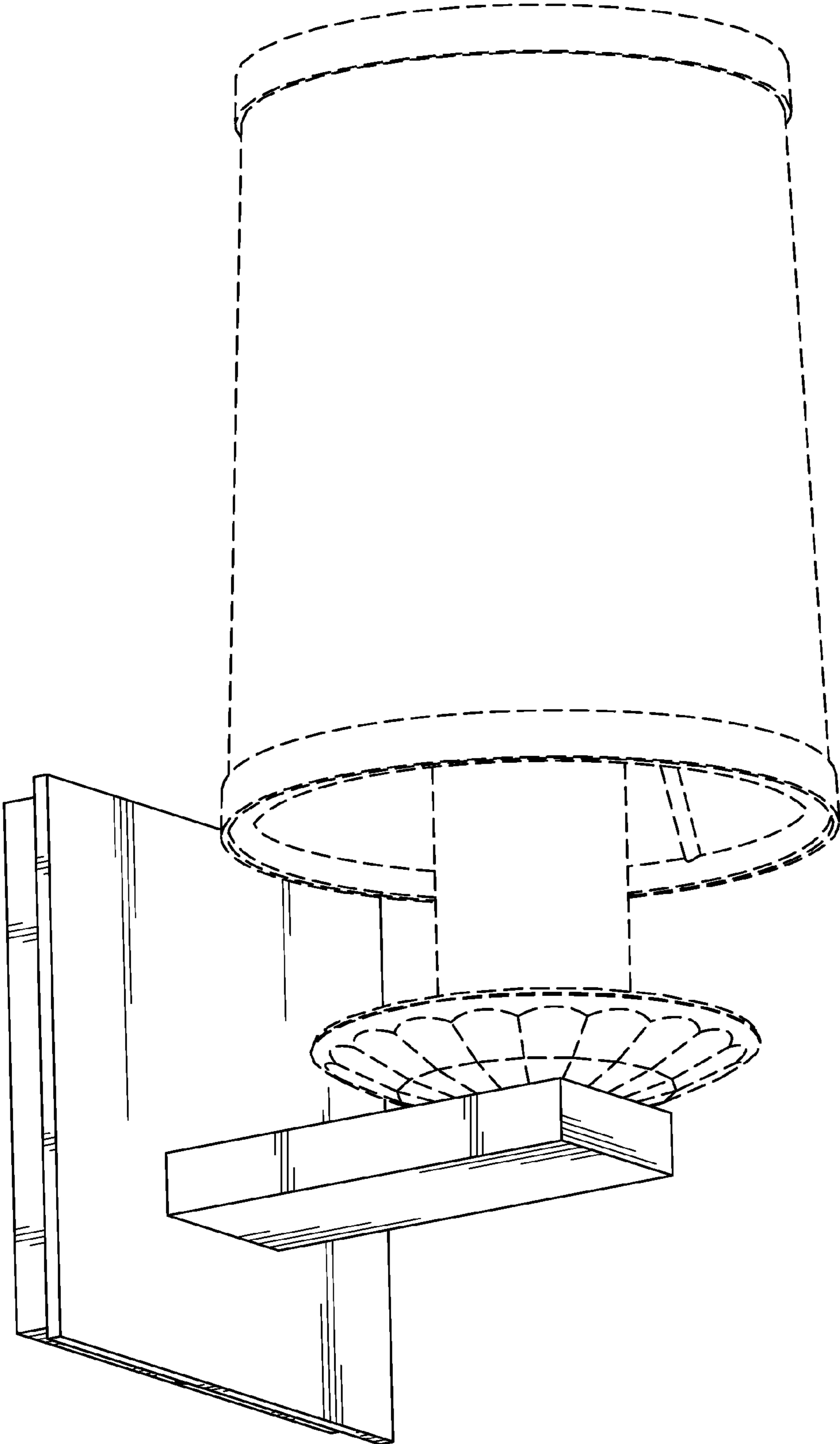
FIG. 7 is a right side elevational view thereof, a left side elevational view being a mirror image thereof; and,

FIG. 8 is a bottom view thereof.

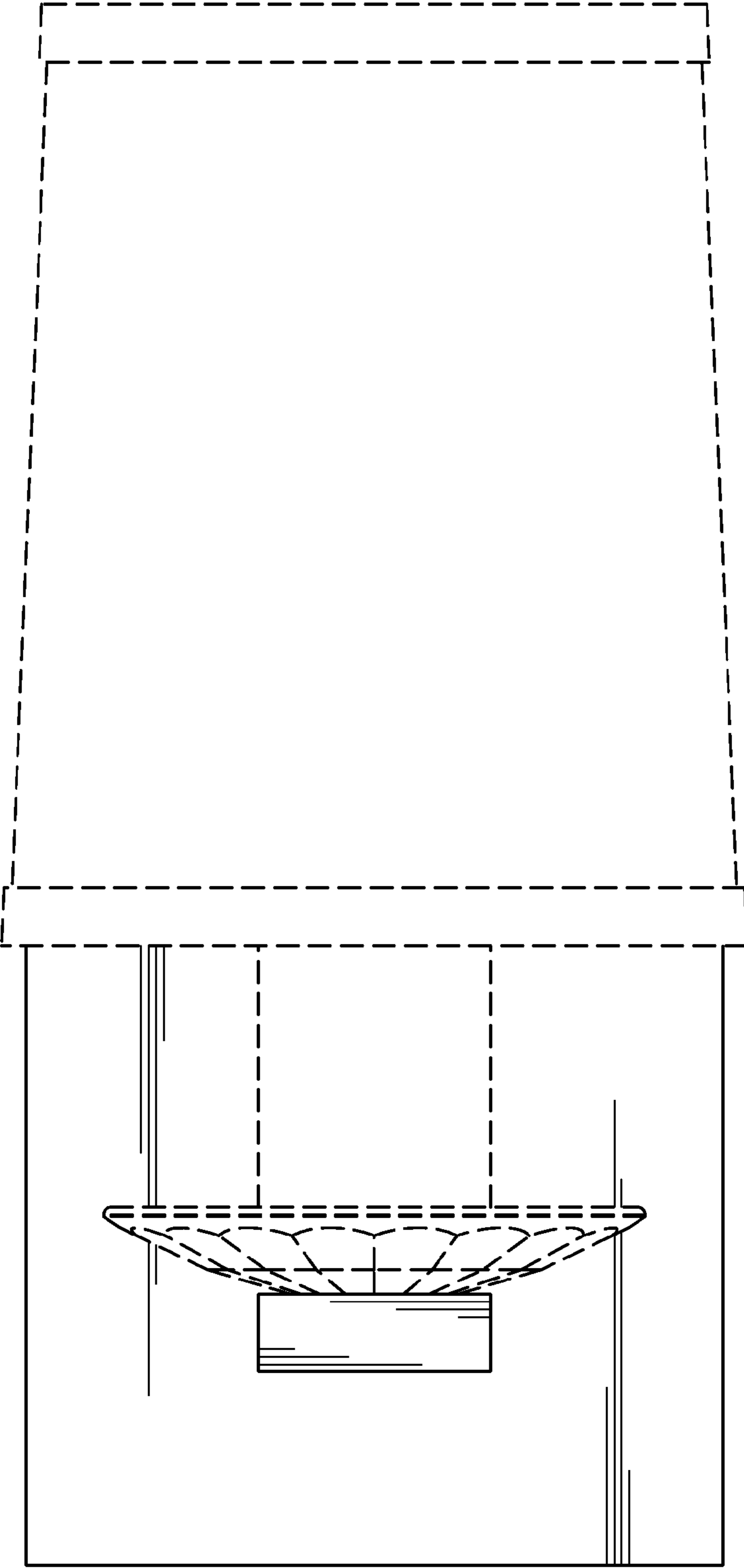
The broken lines in the figures are for illustration purposes only and form no part of the claimed invention.

**1 Claim, 8 Drawing Sheets**

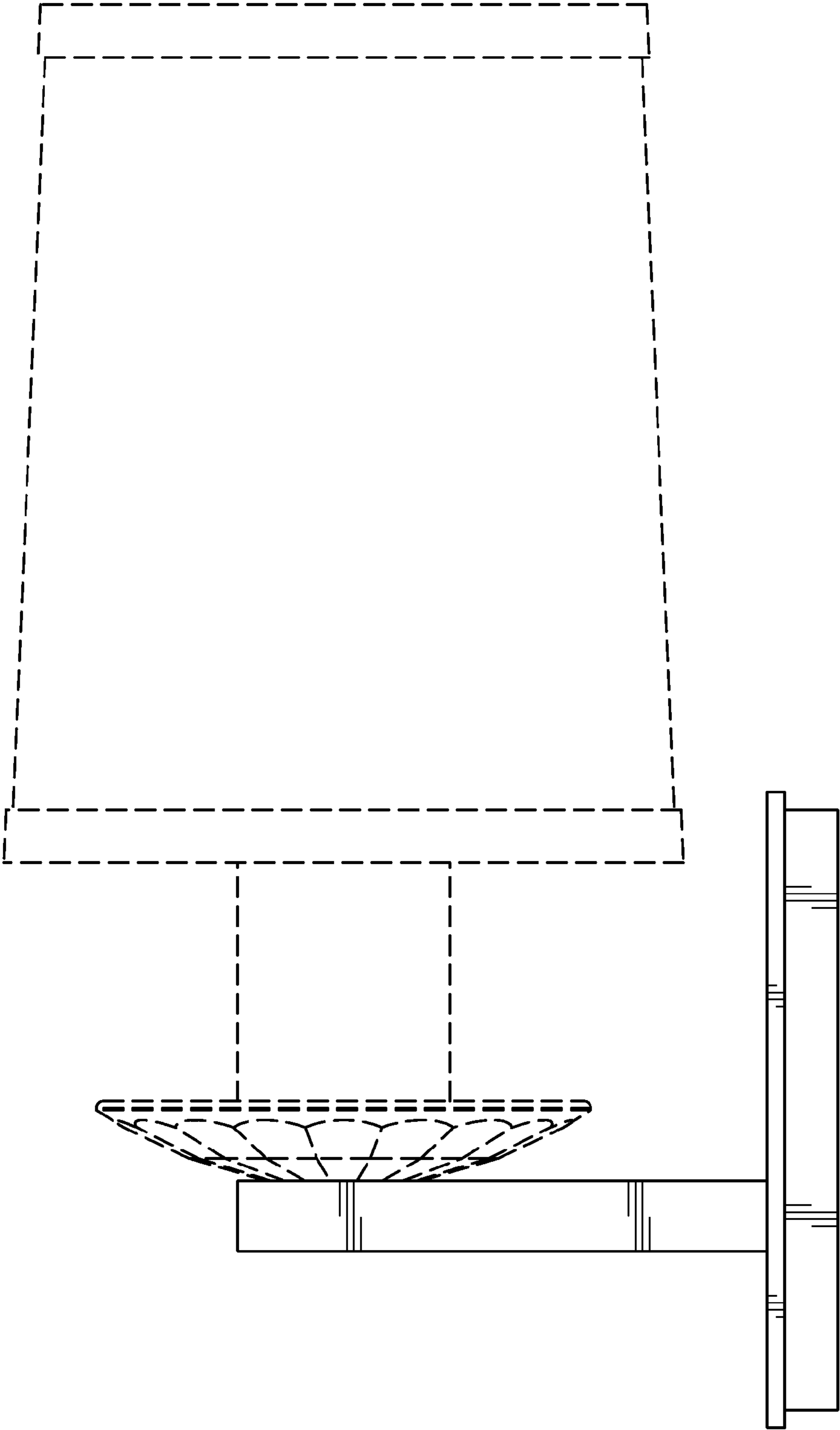




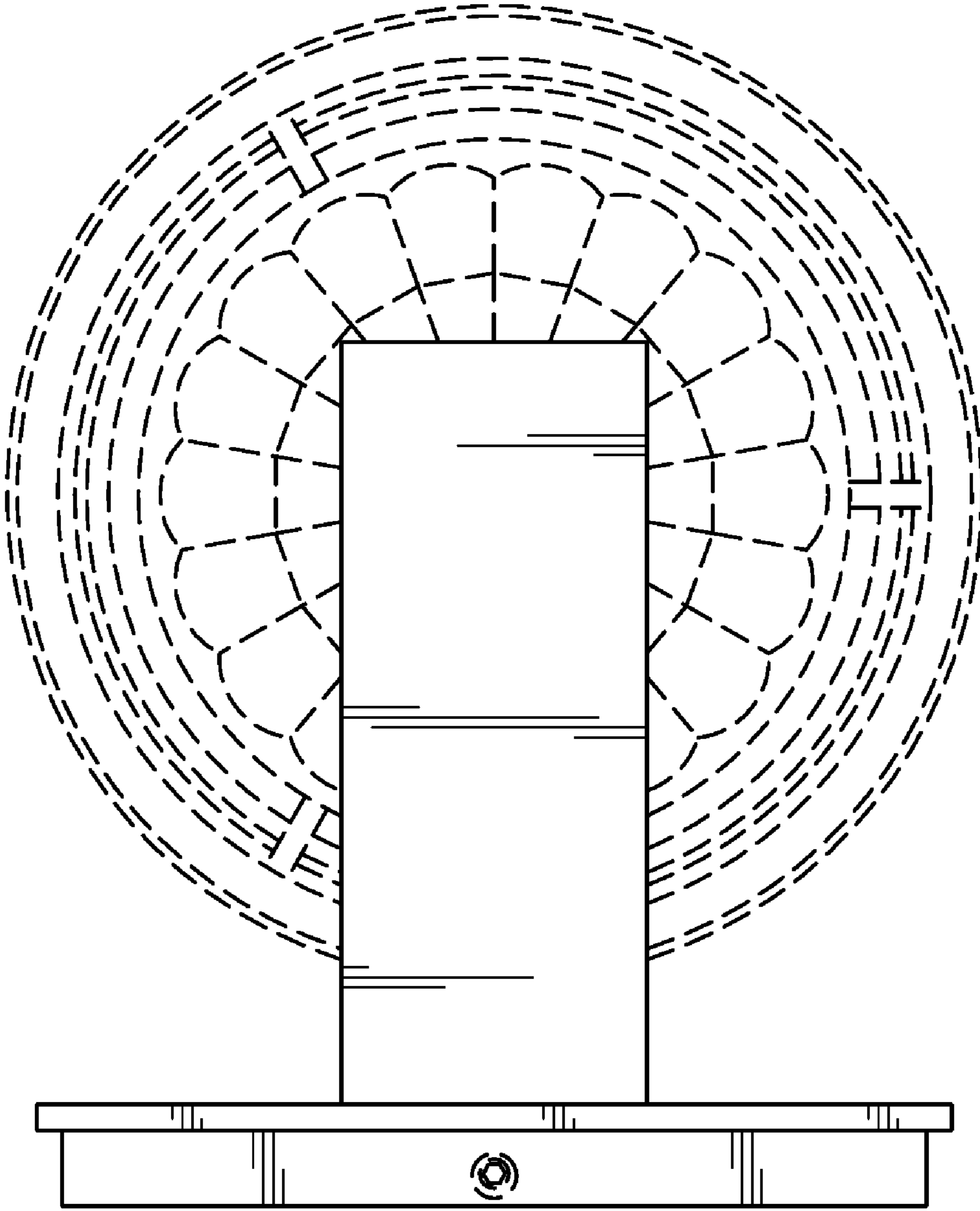
**FIG. 1**



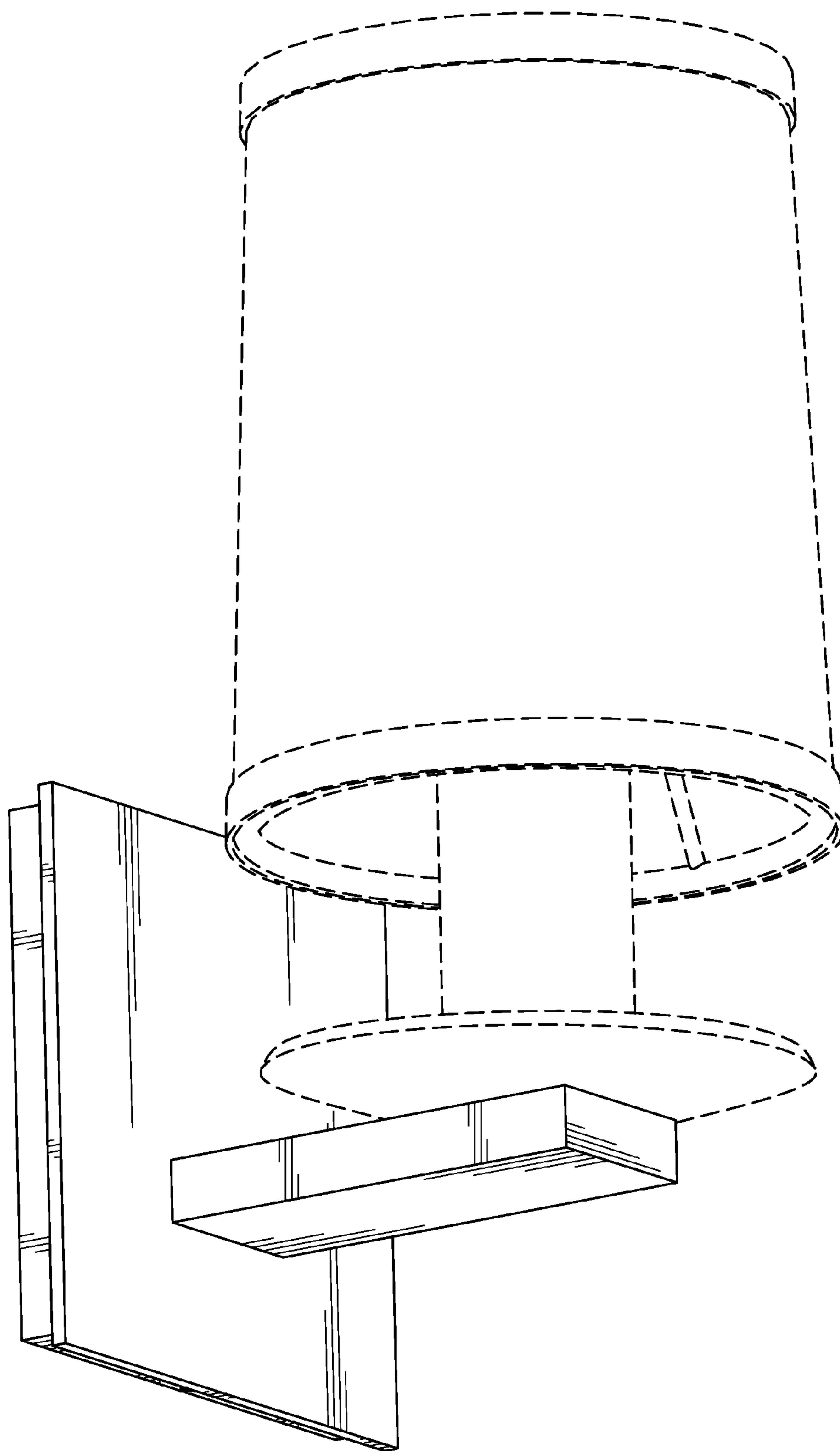
**FIG. 2**



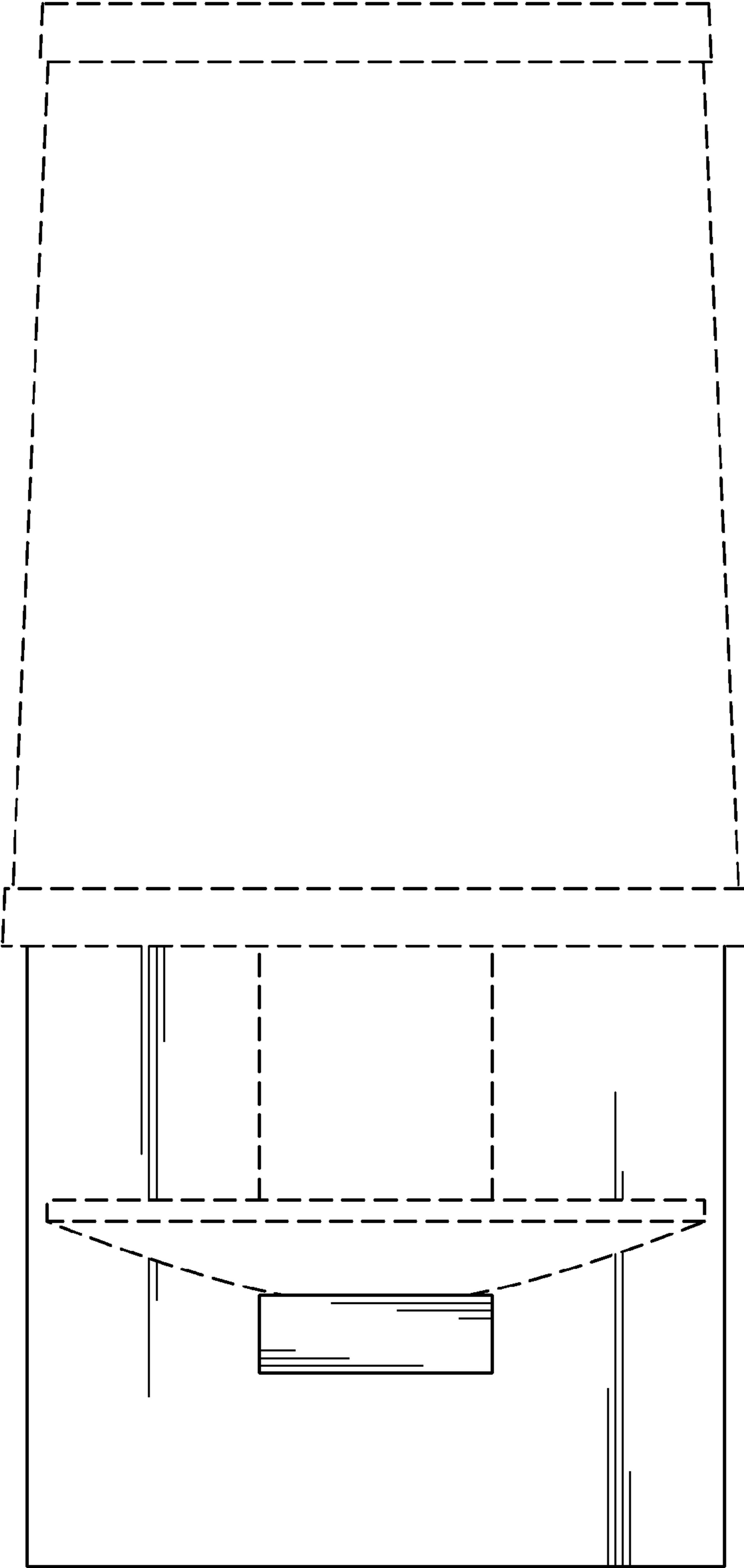
**FIG. 3**



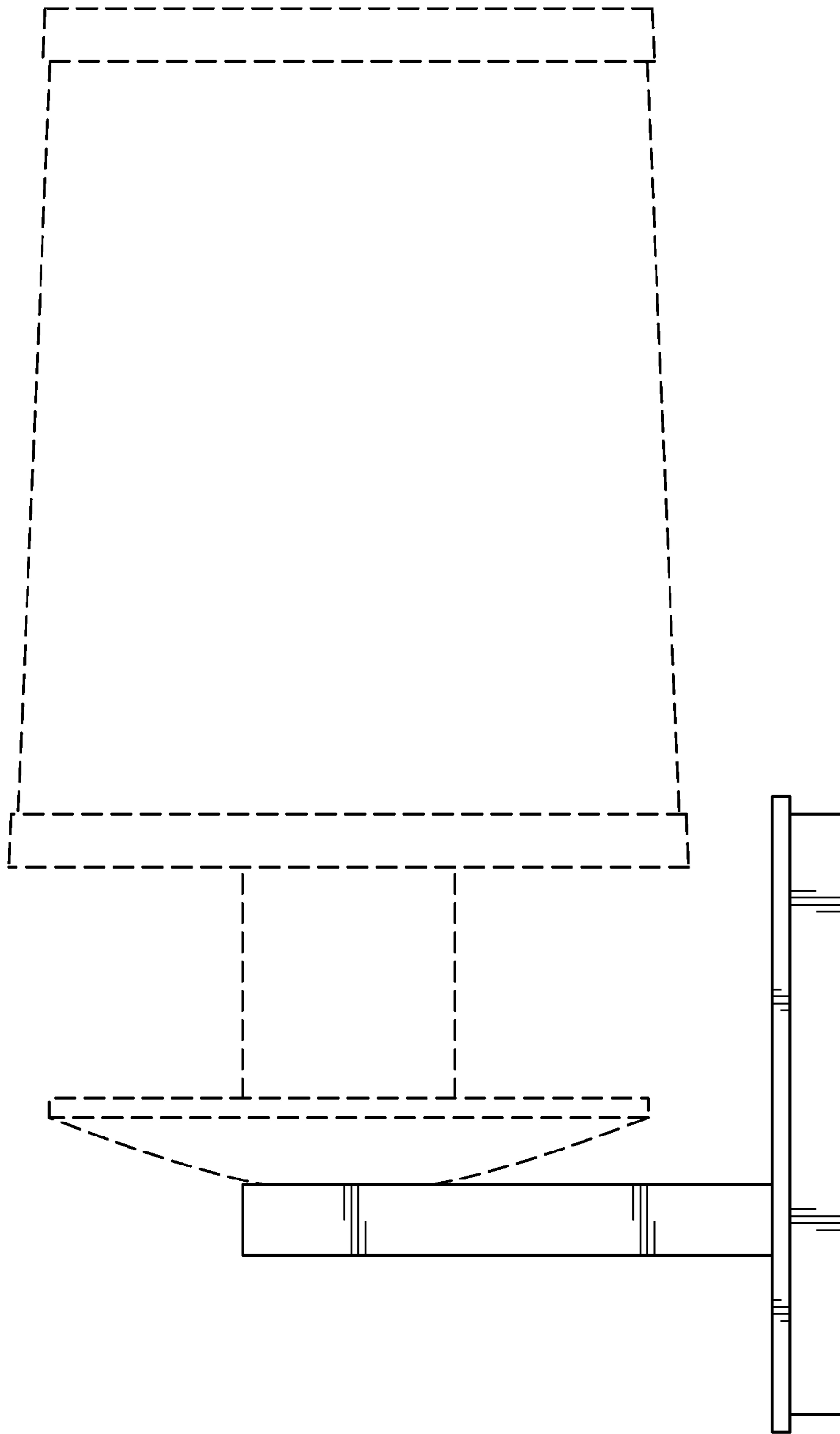
**FIG. 4**



**FIG. 5**

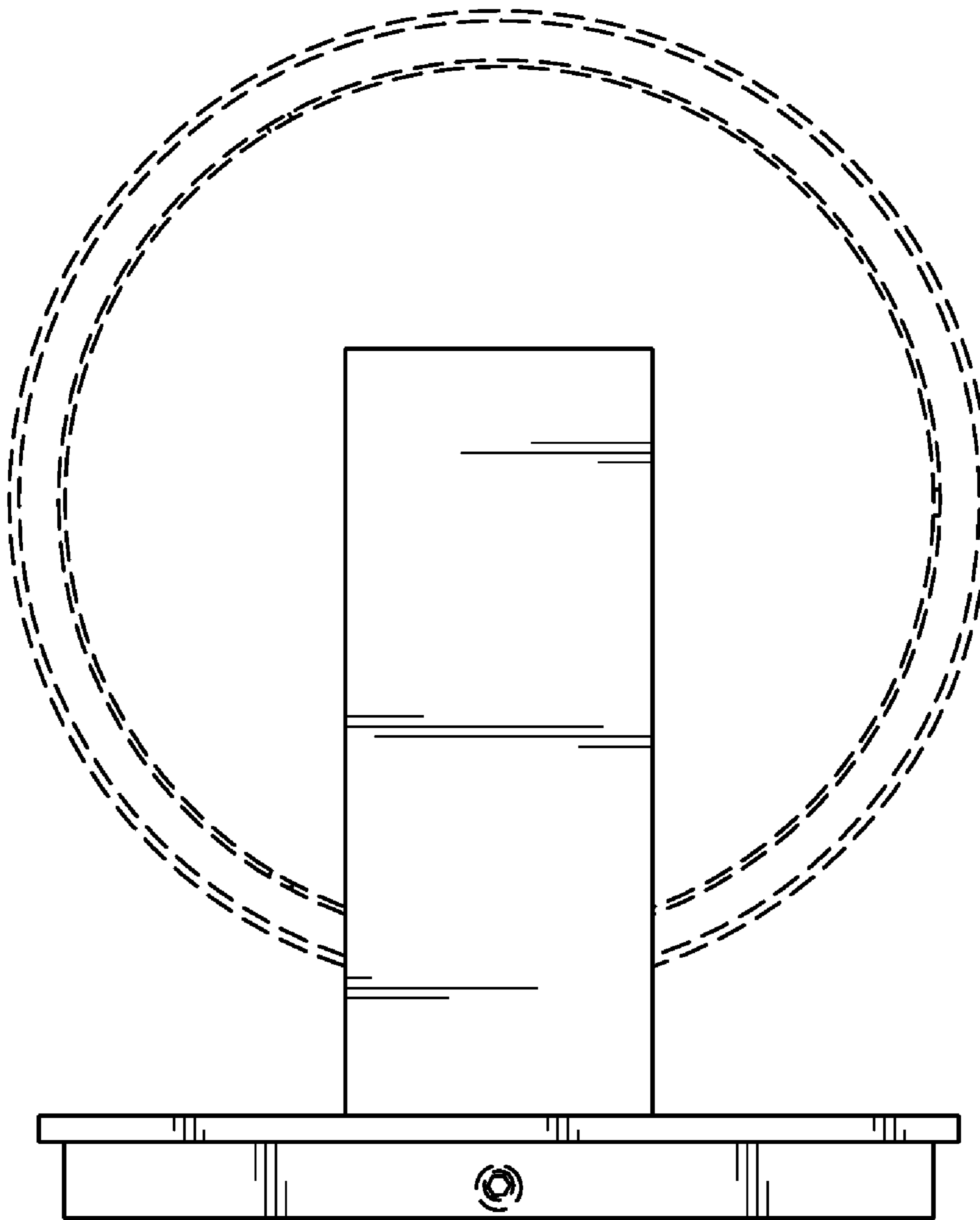


**FIG. 6**



**FIG. 7**





**FIG. 8**