



US00D576762S

(12) **United States Design Patent**
Conroy

(10) **Patent No.:** **US D576,762 S**
(45) **Date of Patent:** **** Sep. 9, 2008**

(54) **BASE FOR LAMP HEAD**

(75) Inventor: **David Conroy**, Brooklyn, NY (US)

(73) Assignee: **Lowel-Light Manufacturing, Inc.**,
Brooklyn, NY (US)

(**) Term: **14 Years**

(21) Appl. No.: **29/263,967**

(22) Filed: **Aug. 1, 2006**

(51) **LOC (8) Cl.** **26-99**

(52) **U.S. Cl.** **D26/138**

(58) **Field of Classification Search** D26/22,
D26/24, 27, 61, 72, 75, 78, 92, 93, 81, 113,
D26/118, 120, 121, 123, 124, 138, 140, 141,
D26/142, 143, 144, 145, 149, 150, 151, 152,
D26/153, 155; D10/69, 66, 70, 74; D13/133;
439/315, 314, 681; 372/109, 107; 33/286,
33/290, 227; 362/147, 172, 257, 259, 270,
362/277, 362, 216, 370, 382, 391, 404, 405,
362/434, 440, 441, 442, 551, 553, 615, 647,
362/648

See application file for complete search history.

(56) **References Cited**

U.S. PATENT DOCUMENTS

3,701,965 A * 10/1972 DuRocher et al. 439/86
4,229,064 A * 10/1980 Vetter et al. 439/680
4,284,313 A * 8/1981 Anhalt 439/350
5,389,014 A * 2/1995 Kumpel et al. 439/752
5,662,488 A * 9/1997 Alden 439/314

6,010,348 A * 1/2000 Alden 439/274
6,226,068 B1 * 5/2001 Arcykiewicz et al. 439/314
6,336,822 B1 * 1/2002 Luzzoli 439/315
6,364,681 B1 * 4/2002 Watanabe 439/335
6,394,856 B1 * 5/2002 Wertz 439/681
6,634,897 B2 * 10/2003 Cykon et al. 439/320
7,033,193 B2 * 4/2006 Higgins et al. 439/277

* cited by examiner

Primary Examiner—Freda S. Nunn

Assistant Examiner—Kevin K Rudzinski

(74) *Attorney, Agent, or Firm*—Notaro & Michalos P.C.

(57) **CLAIM**

The ornamental design for a base for lamp head, as shown and described.

DESCRIPTION

FIG. 1 is a perspective view of a base for lamp head showing my new design therefor;

FIG. 2 is a left side elevational view thereof;

FIG. 3 is a right side elevational view thereof;

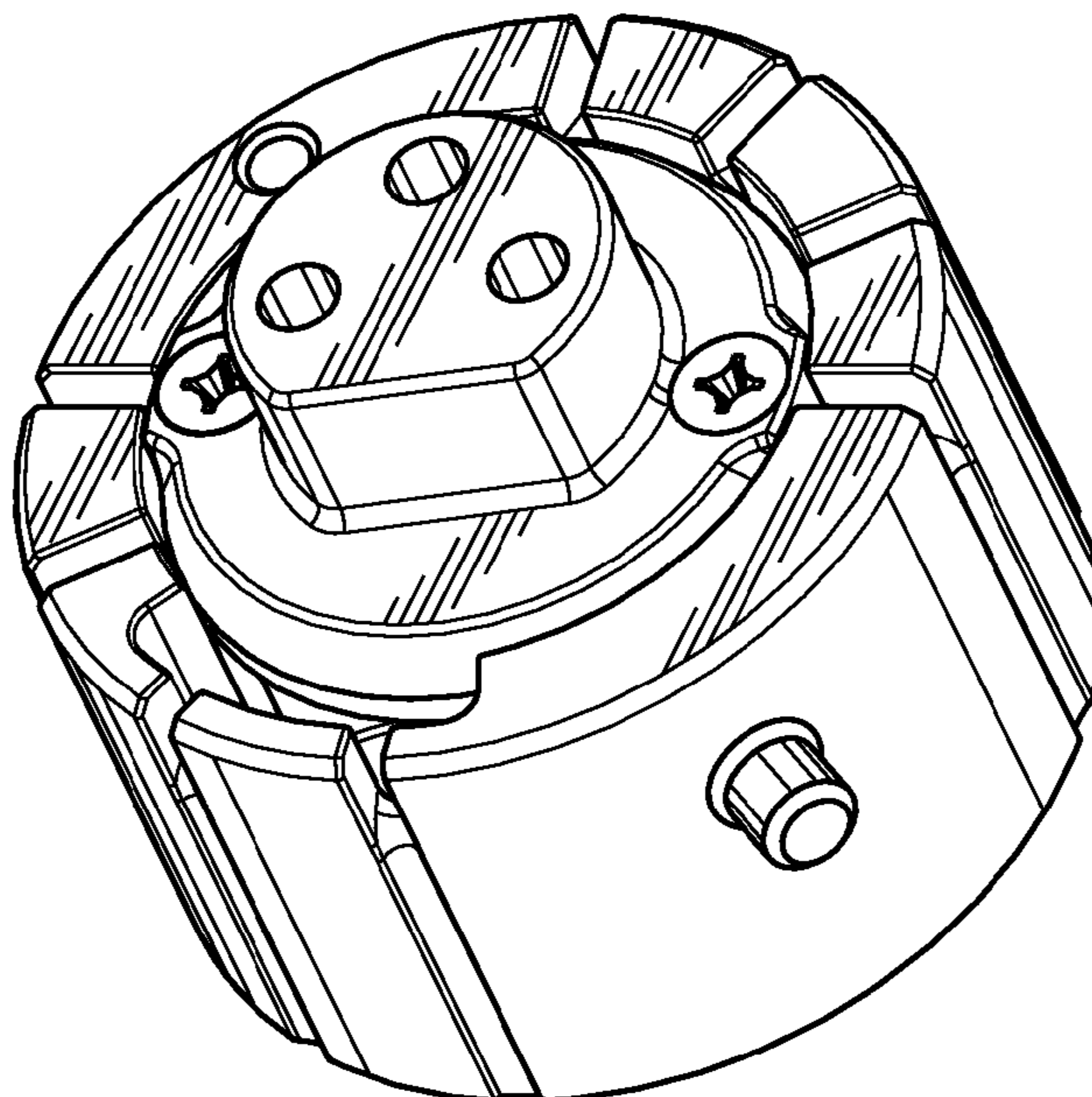
FIG. 4 is a front elevational view thereof;

FIG. 5 is a rear elevational view thereof;

FIG. 6 is a top plan view thereof; and,

FIG. 7 is a bottom plan view thereof, the broken line showing of the internal elements and the circular broken line in the bottom view is included for the purpose of illustrating unclaimed structure and forms no part of the claimed design.

1 Claim, 7 Drawing Sheets



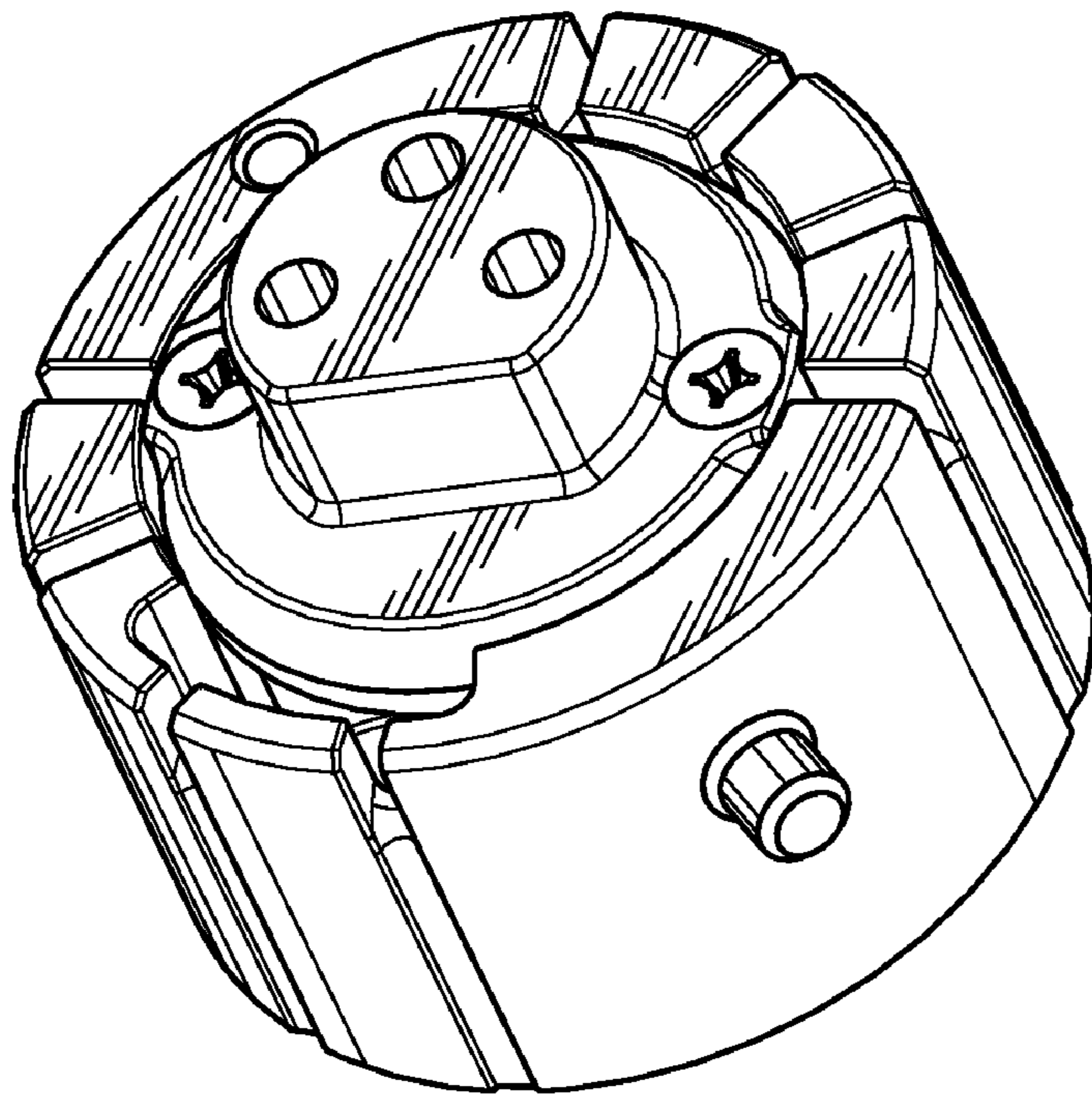


FIG. 1

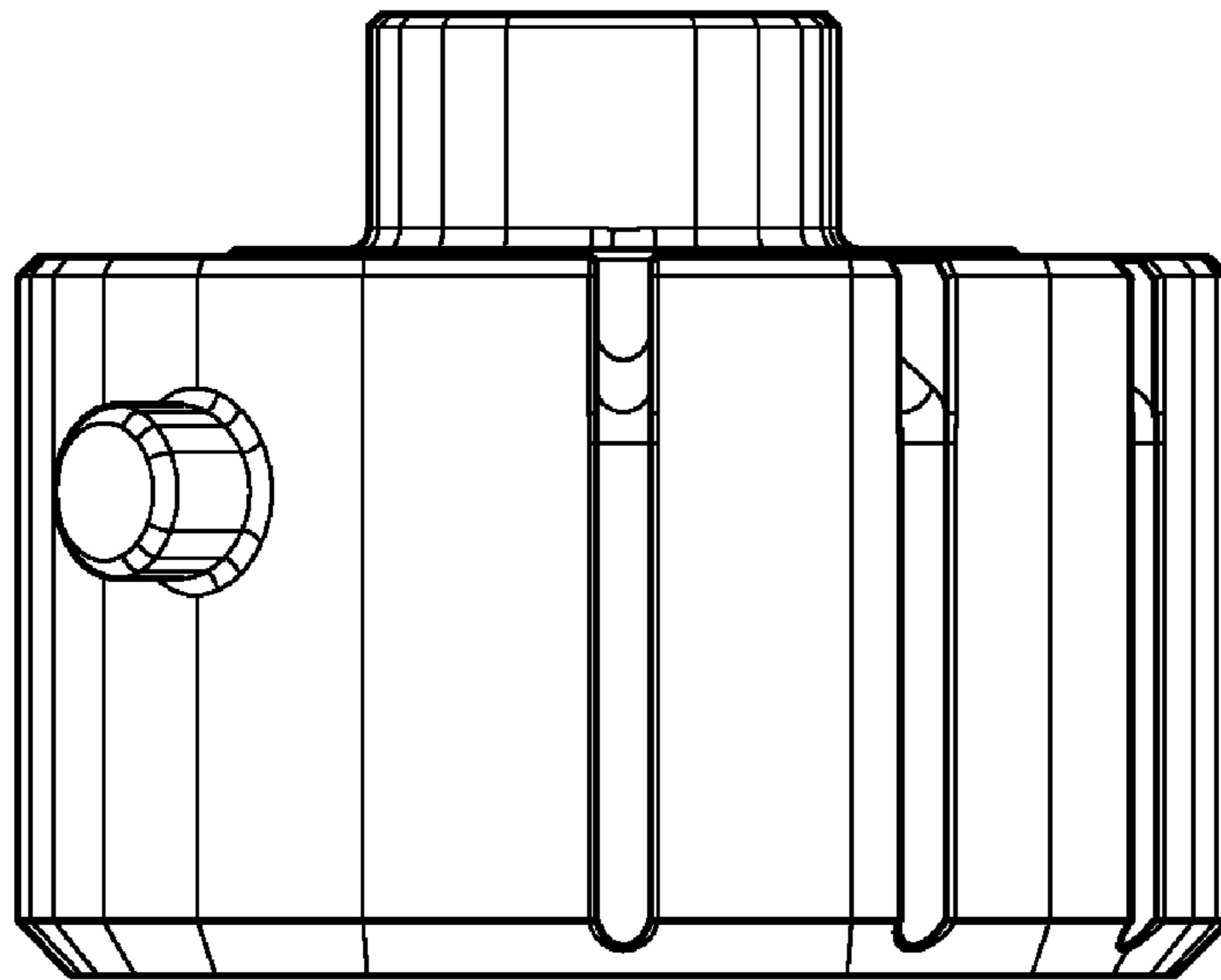


FIG. 2

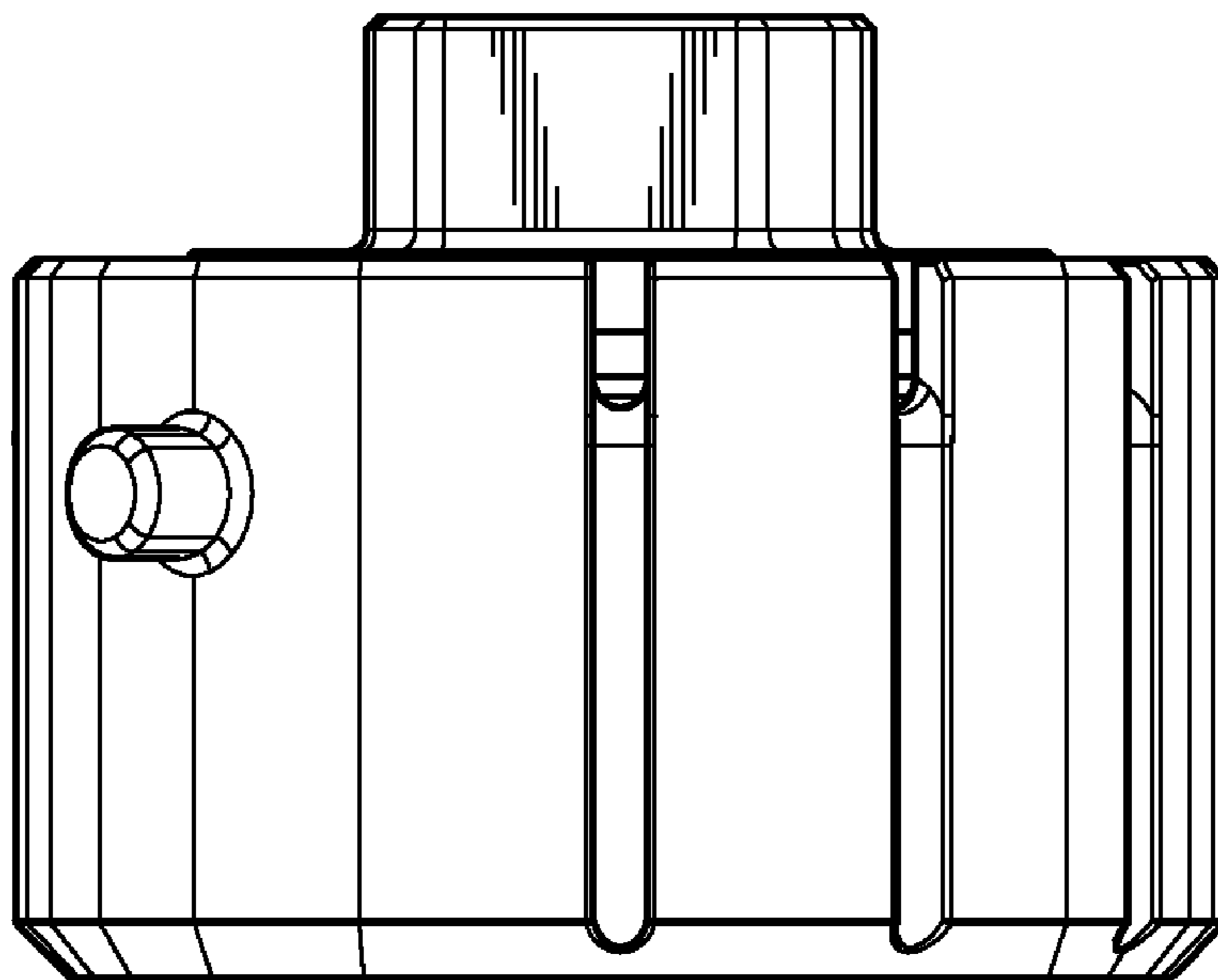


FIG. 3

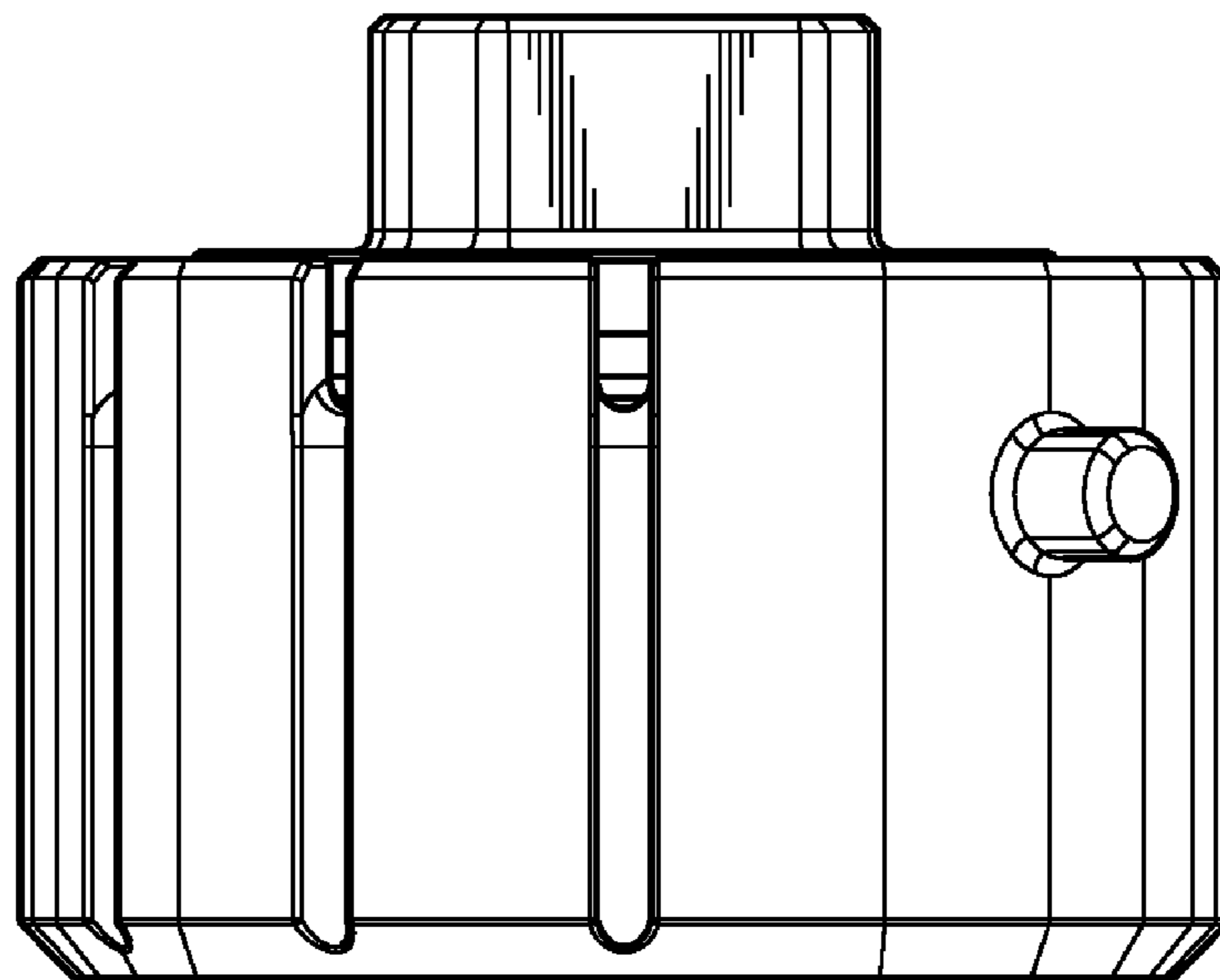


FIG. 4

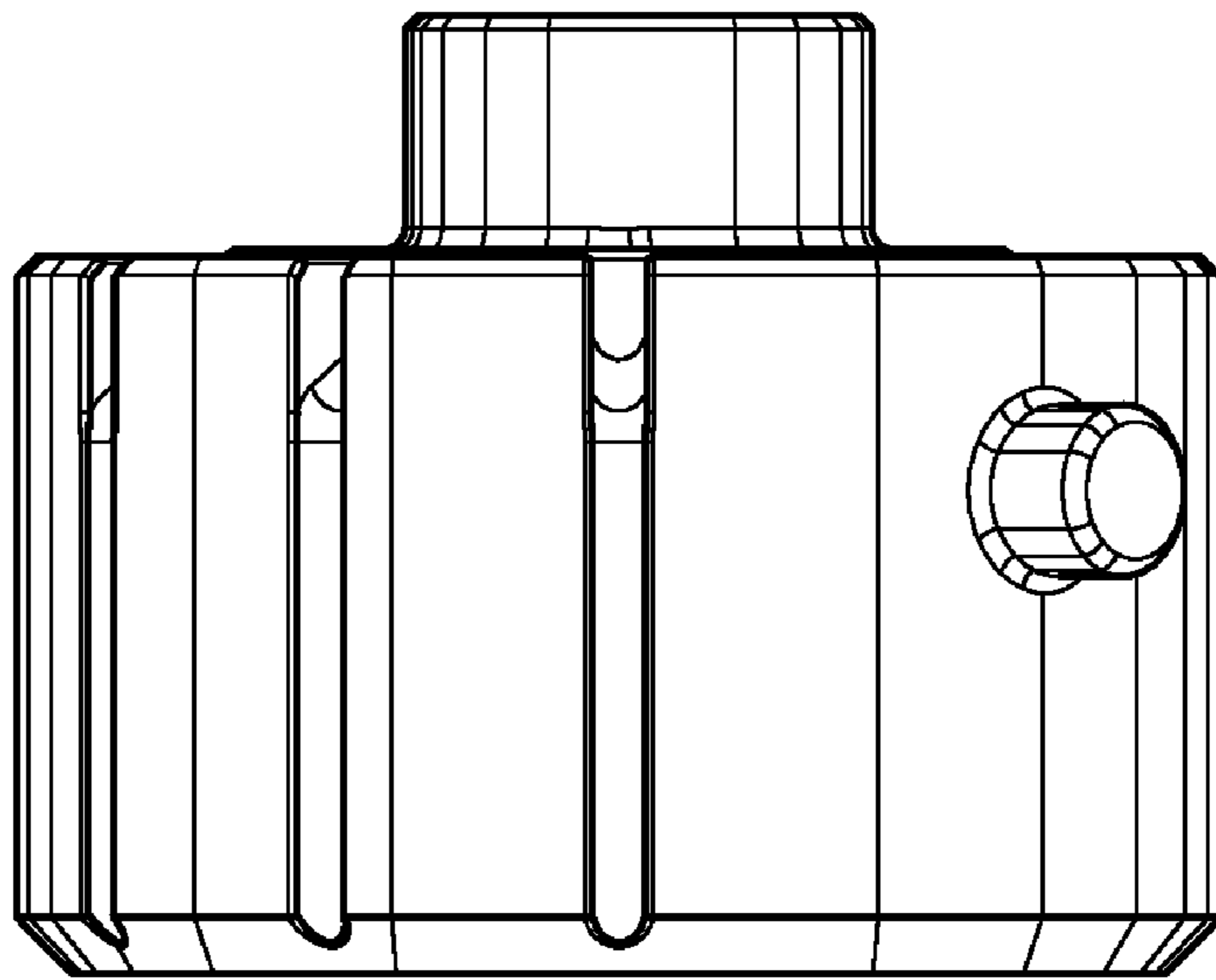


FIG. 5

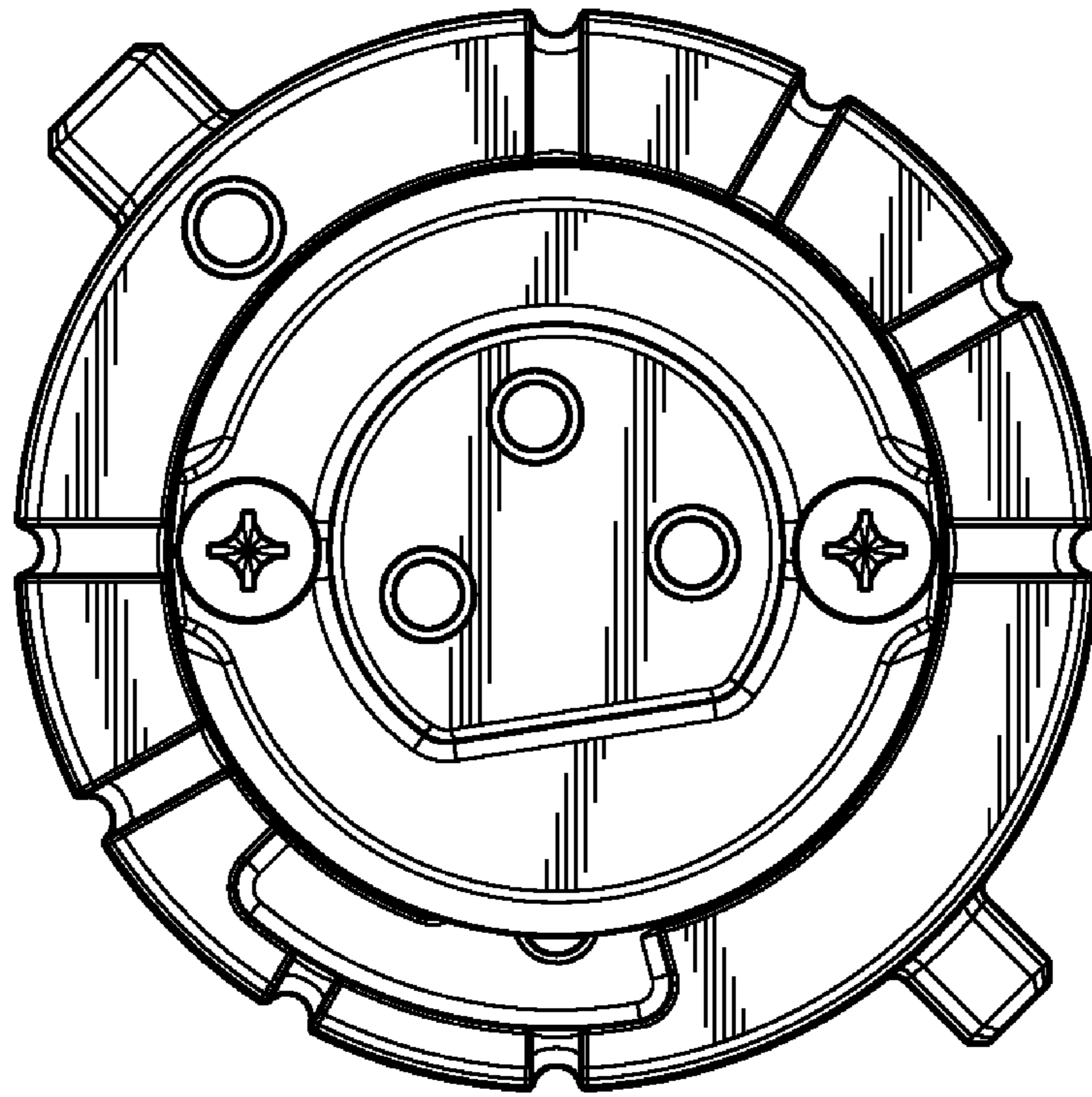


FIG. 6

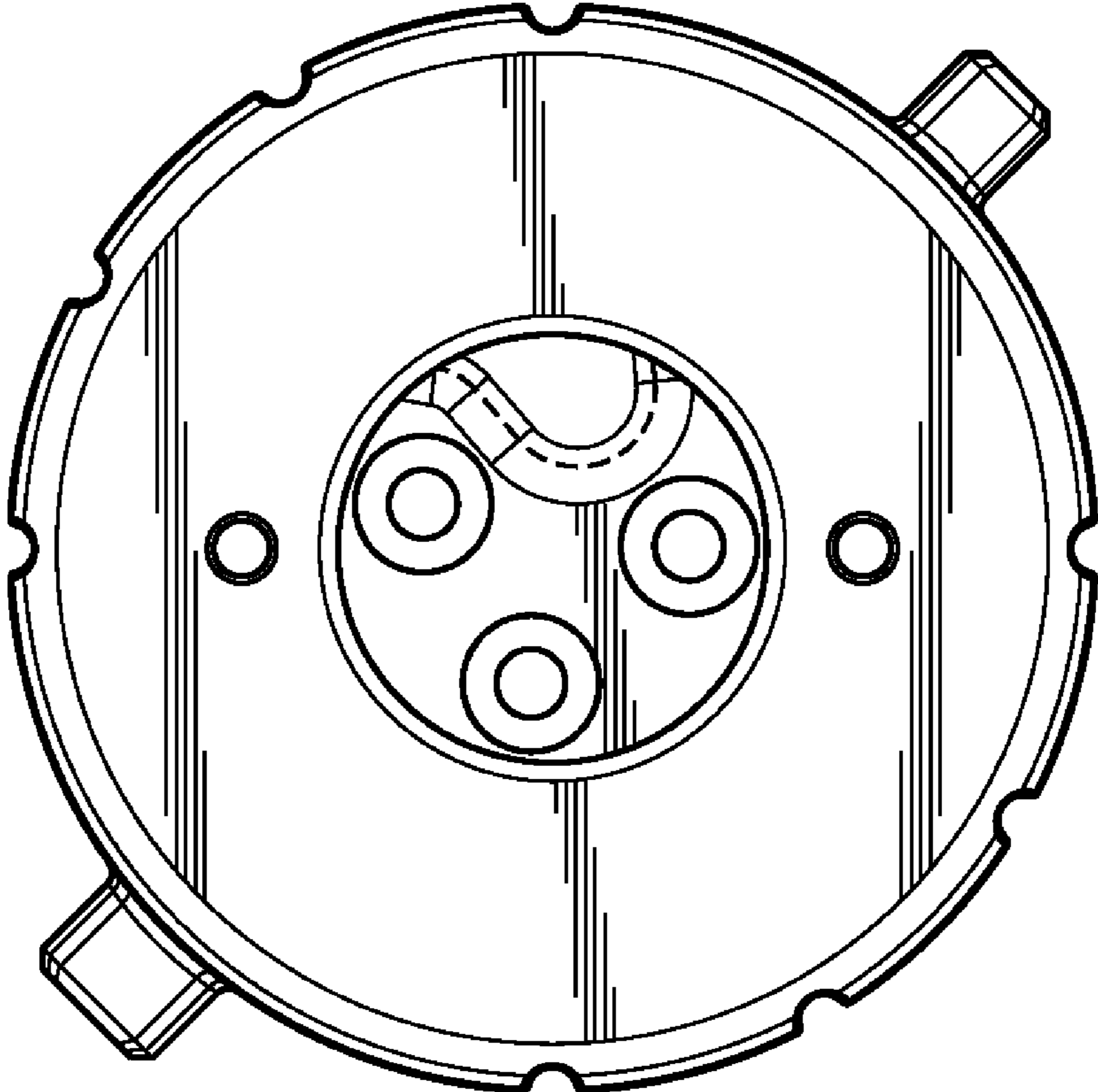


FIG. 7