



US00D576761S

(12) **United States Design Patent**  
**Porter**

(10) **Patent No.:** **US D576,761 S**  
(45) **Date of Patent:** **\*\* Sep. 9, 2008**

(54) **LIGHTING FIXTURE**

(75) Inventor: **David H. Porter**, Monticello, WI (US)

(73) Assignee: **The L.D. Kichler Co.**, Cleveland, OH (US)

(\*\*) Term: **14 Years**

(21) Appl. No.: **29/291,739**

(22) Filed: **Sep. 12, 2007**

**Related U.S. Application Data**

(60) Division of application No. 29/214,487, filed on Oct. 4, 2004, now Pat. No. Des. 559,425, which is a continuation of application No. 29/143,920, filed on Jun. 21, 2001, now Pat. No. Des. 510,452.

(51) **LOC (8) Cl.** ..... **26-99**

(52) **U.S. Cl.** ..... **D26/135; D26/128**

(58) **Field of Classification Search** ..... D26/72, D26/80-92, 128, 135; 362/147, 237, 404-408, 362/432, 806, 150, 430, 418  
See application file for complete search history.

(56) **References Cited**

**U.S. PATENT DOCUMENTS**

D37,835 S *	2/1906	Mygatt	.....	D26/135
D41,378 S	5/1911	Guth		
1,724,726 A *	8/1929	Rolph	.....	362/331
D86,453 S *	3/1932	Gunnison	.....	D26/88
D109,617 S *	5/1938	Orth	.....	D26/131
D189,313 S *	11/1960	Rambusch et al.	.....	D26/88
3,042,742 A *	7/1962	Foster	.....	D26/63
D343,250 S *	1/1994	Fouke et al.	.....	D26/88
D343,251 S *	1/1994	Fouke et al.	.....	D26/88
D399,331 S *	10/1998	Greene et al.	.....	D26/88
D493,568 S	7/2004	Parres		
D499,507 S	12/2004	Parres		
D501,058 S	1/2005	Parres		

D501,269 S	1/2005	Parres		
D501,270 S	1/2005	Lee		
D510,452 S *	10/2005	Porter	.....	D26/80
D511,858 S	11/2005	Porter		
D512,177 S	11/2005	Porter		
D537,555 S *	2/2007	Summerford et al.	.....	D26/128
D557,441 S *	12/2007	Hsu	.....	D26/83

**OTHER PUBLICATIONS**

Lamps Plus fixtures #01564 and #57989, first found at lampsplus.com on Jan. 23, 2003.\*

(Continued)

*Primary Examiner*—Clare E Heflin

(74) *Attorney, Agent, or Firm*—Calfee, Halter & Griswold LLP

(57) **CLAIM**

I claim the ornamental design for a lighting fixture, as shown and described.

**DESCRIPTION**

FIGS. 1-6 are views of a lighting fixture.

FIG. 1 is a front view of the lighting fixture.

FIG. 2 is a back view of the lighting fixture, taken slightly off-center.

FIG. 3 is a right side view of the lighting fixture, taken slightly off-center, for which the left side view of the lighting fixture would be a mirror image thereof.

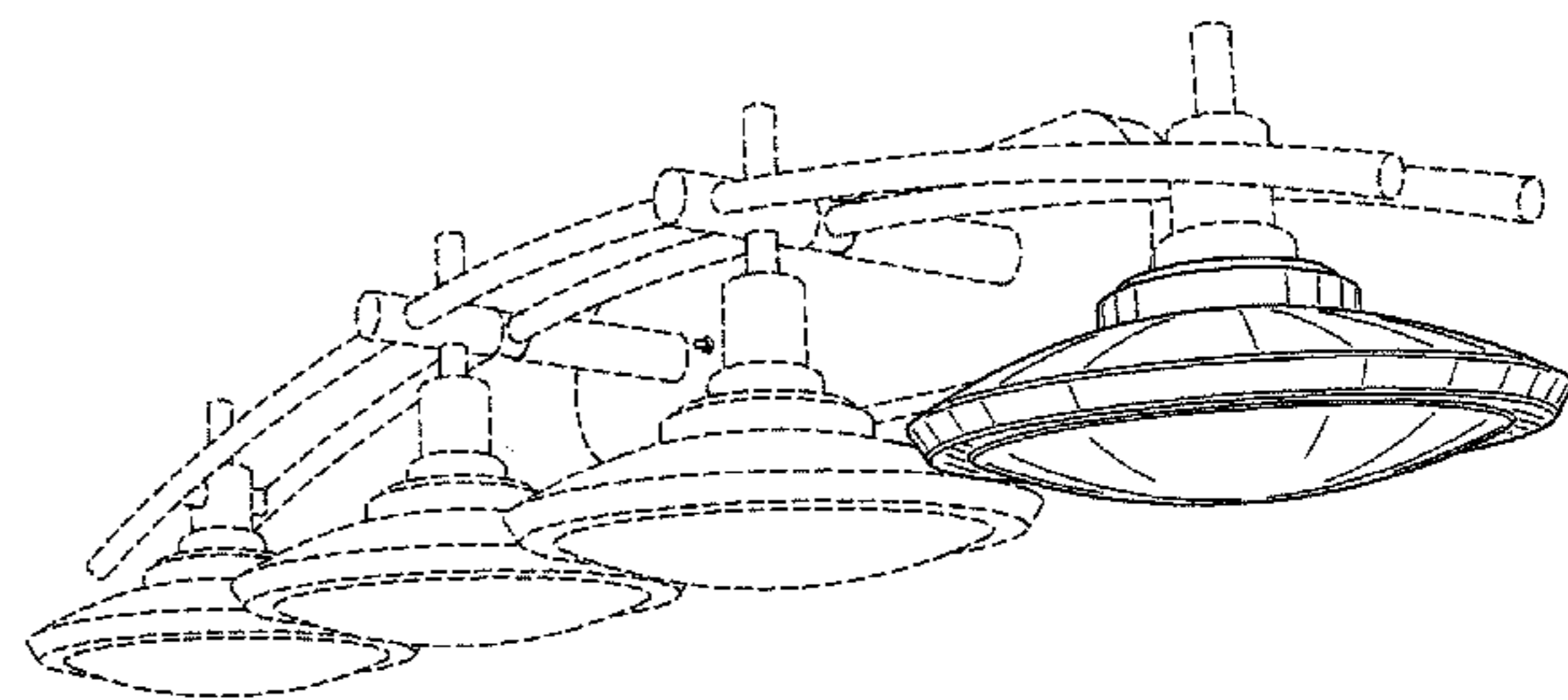
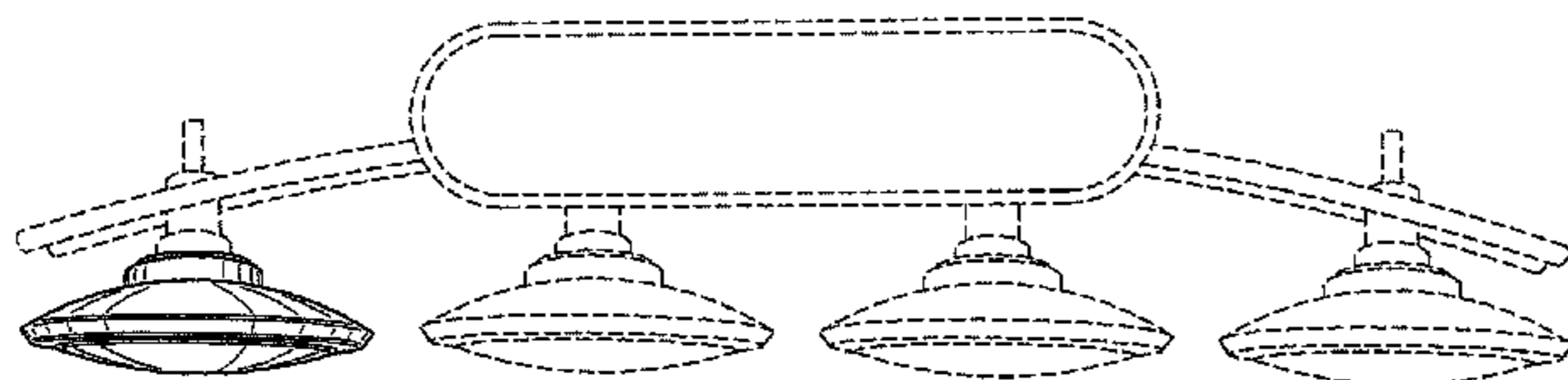
FIG. 4 is a top view of the lighting fixture, taken slightly off-axis.

FIG. 5 is a bottom view of the lighting fixture, taken slightly off-axis; and,

FIG. 6 is a perspective view of the lighting fixture.

The broken lines shown on the drawings are for illustrative purposes only and form no part of the claimed design.

**1 Claim, 6 Drawing Sheets**



OTHER PUBLICATIONS

Taiwan Lighting, Nov. 2001, pp. 82, item #BT-ML01.  
Home Lighting and Accessoris, Jun. 2001, pp. 13, lighting fixture in center photograph.  
Taiwan Lighting, Jan. 2002, pp. 124, item #ML-107 and item #ML-103.  
Notice of Allowance from U.S. Appl. No. 29/143,920, mailed Aug. 4, 2004.  
Office action from U.S. Appl. No. 29/143,920, mailed Mar. 30, 2004.  
Office action from U.S. Appl. No. 29/143,920, mailed Mar. 10, 2003.

Office action from U.S. Appl. No. 29/143,920, mailed Oct. 3, 2002.  
Notice of Allowance from U.S. Appl. No. 29/214,747, mailed Apr. 25, 2005.  
Notice of Allowance from U.S. Appl. No. 29/214,748, mailed Apr. 25, 2005.  
Office action from U.S. Appl. No. 29/284,024, mailed Jan. 11, 2008.  
<http://lampsplus.com>, 30" contemporary bathbar #57989 and 9"W Contemporary Pool Table Chandelier #57986 dated Jan. 23, 2003.

\* cited by examiner

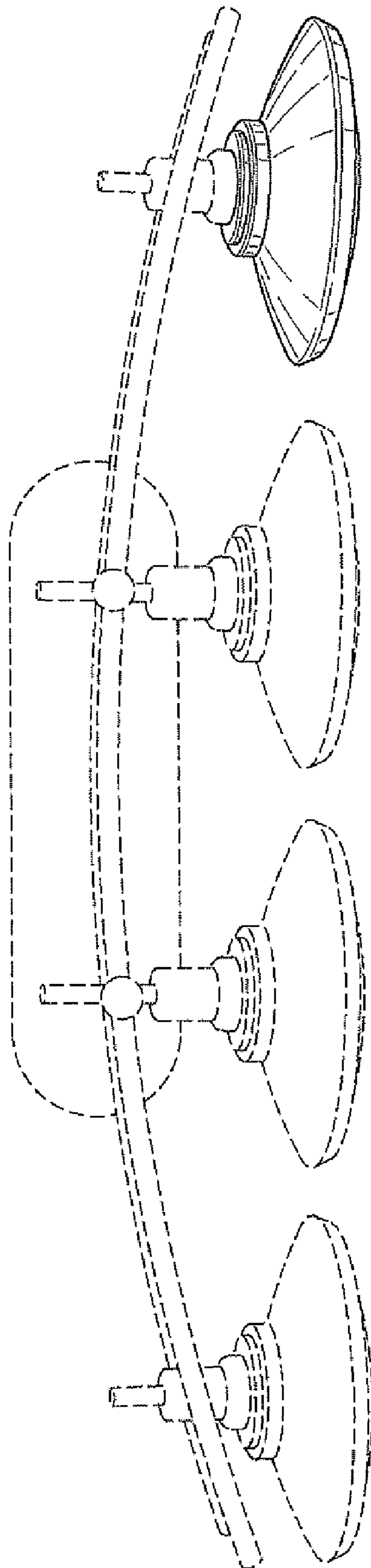


FIG. 1

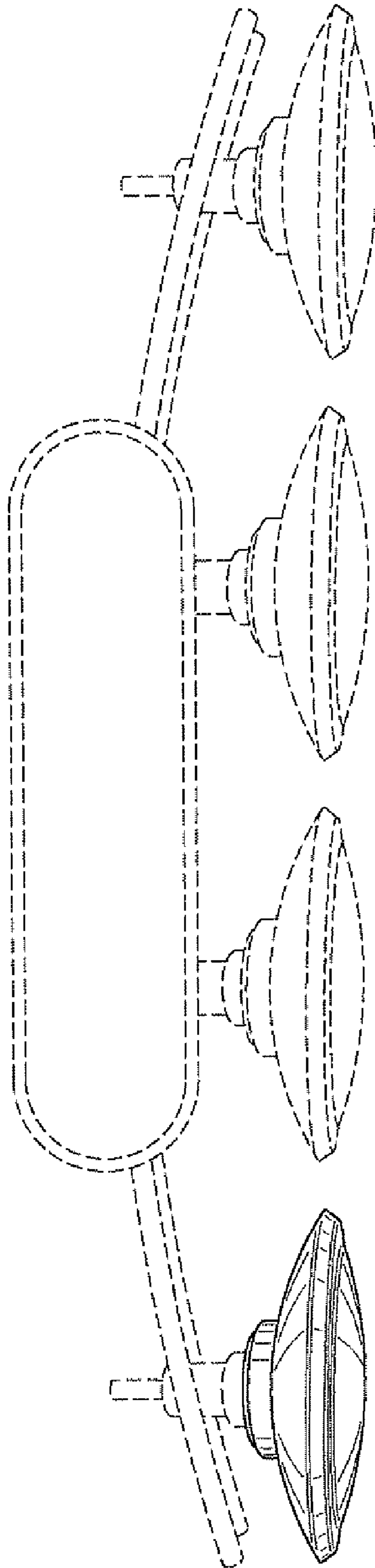


FIG. 2

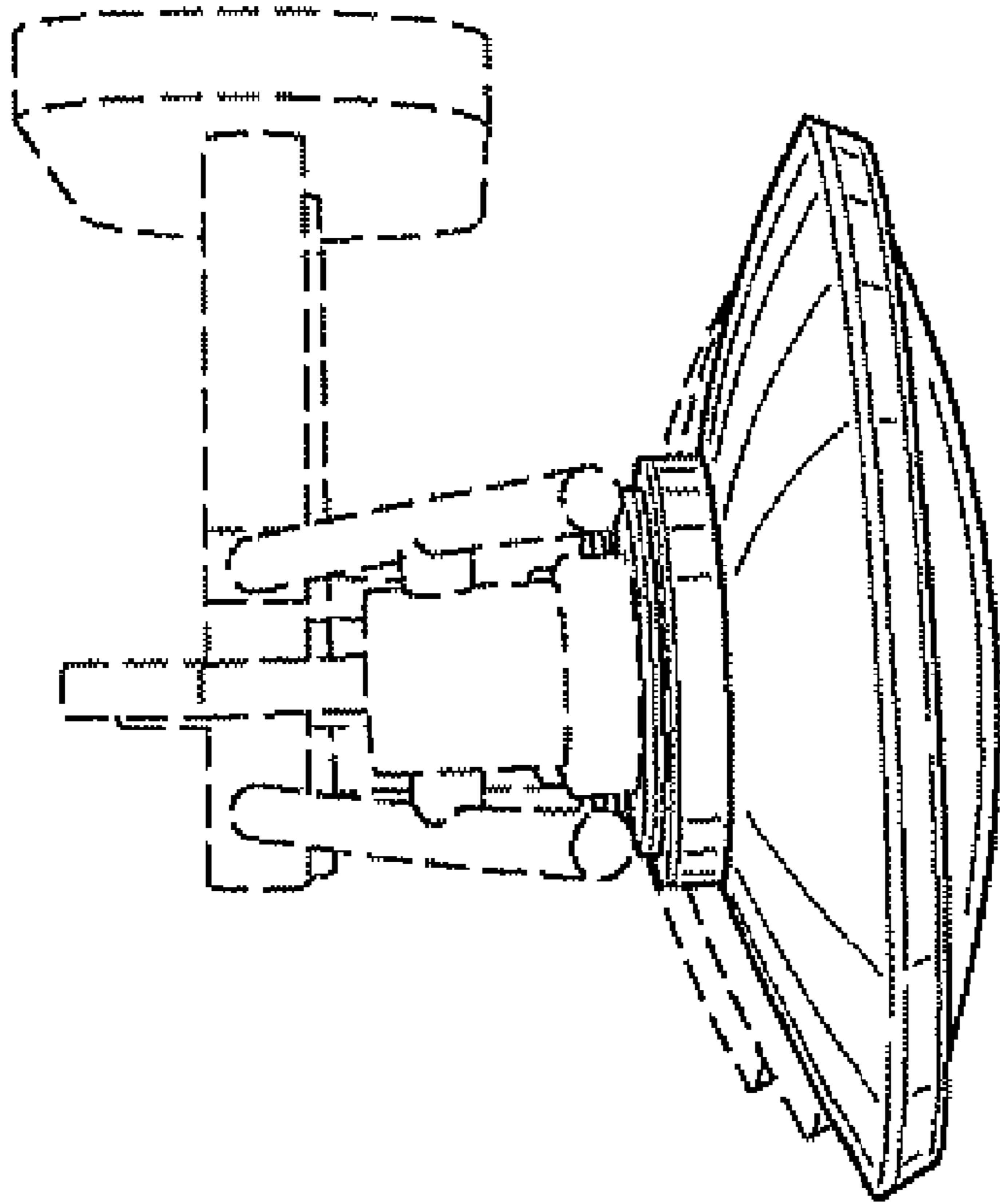


FIG. 3

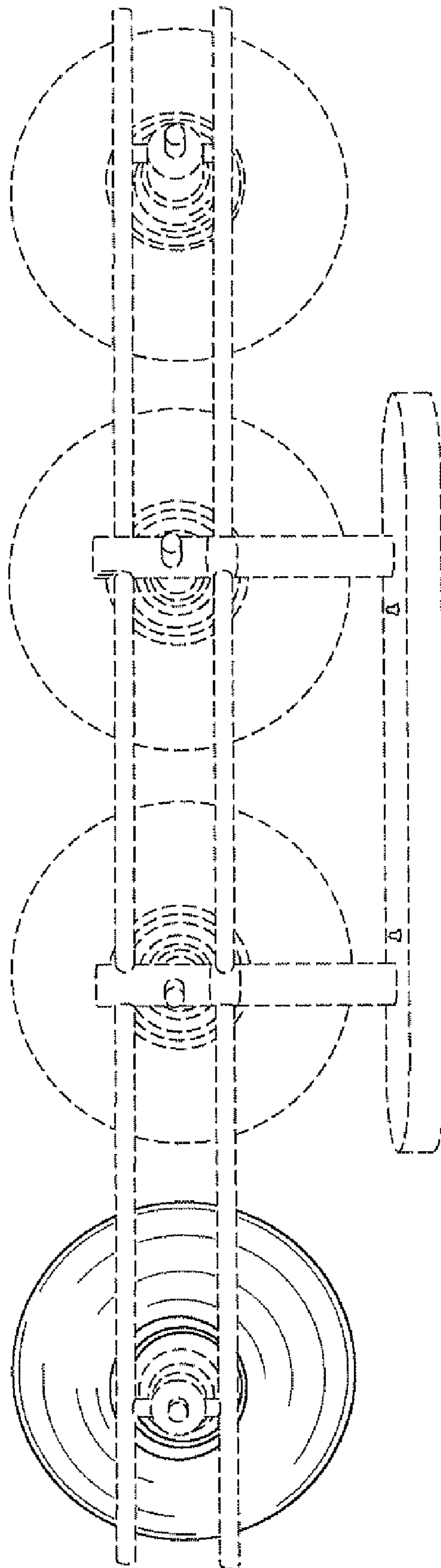


FIG. 4

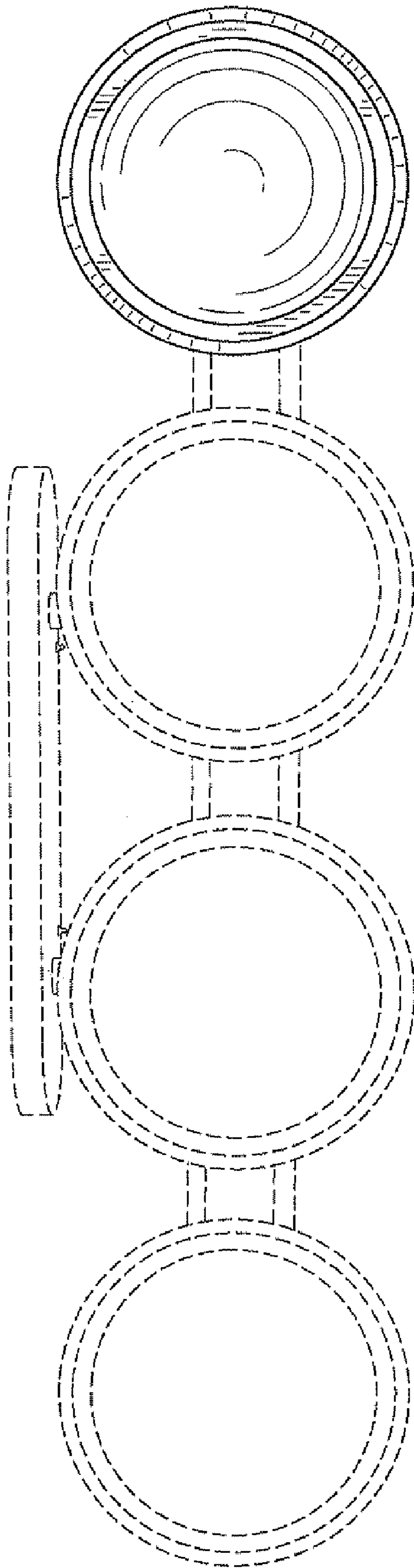


FIG. 5

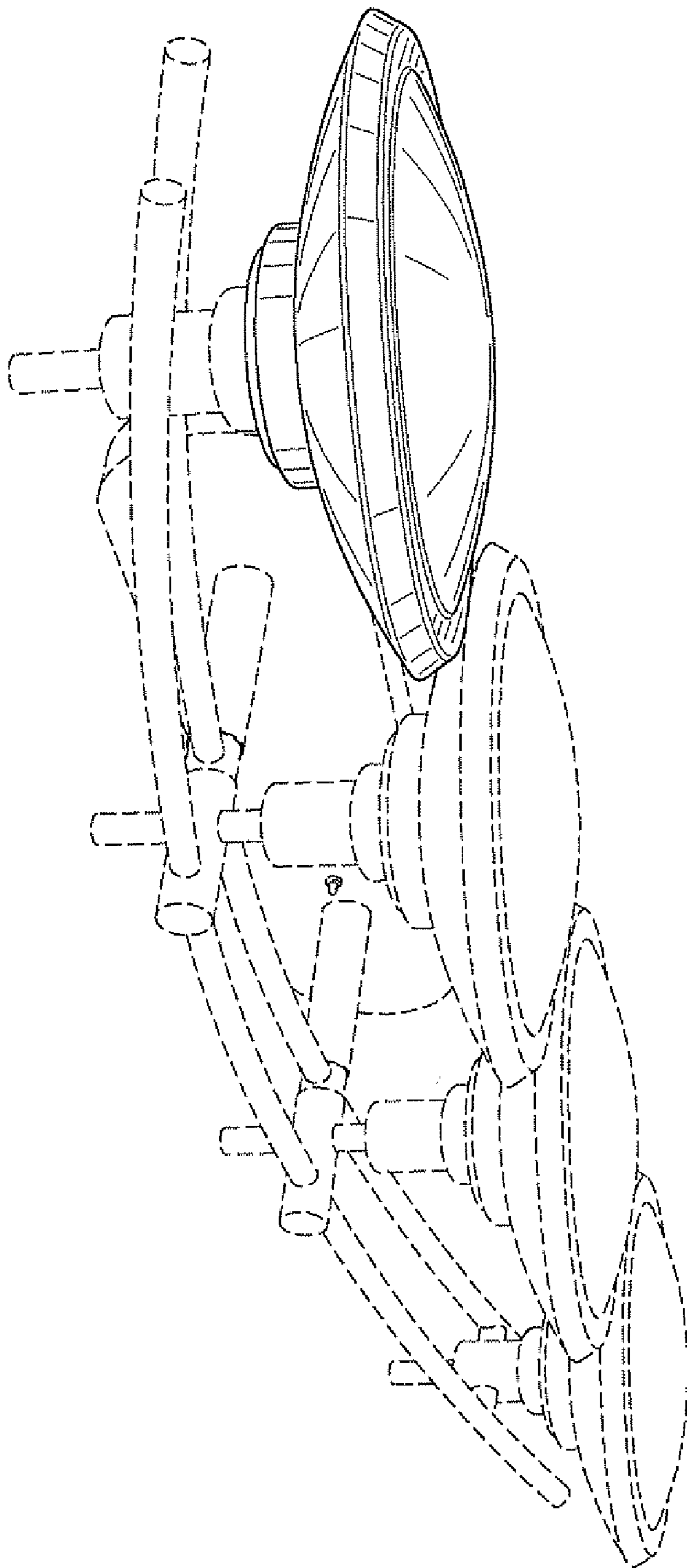


FIG. 6