



US00D576760S

(12) **United States Design Patent**
Ottobre

(10) **Patent No.:** **US D576,760 S**

(45) **Date of Patent:** **** Sep. 9, 2008**

(54) **LIGHTING ASSEMBLY**

(75) Inventor: **Tony Ottobre**, Thomastown (AU)

(73) Assignee: **LED Technologies Pty Ltd**,
Thomastown, Victoria (AU)

(**) Term: **14 Years**

(21) Appl. No.: **29/256,637**

(22) Filed: **Mar. 23, 2006**

(51) **LOC (8) Cl.** **26-99**

(52) **U.S. Cl.** **D26/118**

(58) **Field of Classification Search** D26/124,
D26/123, 120, 122, 119, 118, 128, 76, 80,
D26/75, 109; D13/180, 183, 182; 362/555,
362/545, 373, 294, 249, 244, 612, 611, 558,
362/800

See application file for complete search history.

(56) **References Cited**

U.S. PATENT DOCUMENTS

D22,391	S	*	5/1893	Jacobs	D25/106
D79,366	S	*	9/1929	Henderson	D26/28
D163,220	S	*	5/1951	Pryne	D26/122
D192,607	S	*	4/1962	Cooke	D26/76
4,549,250	A	*	10/1985	Spector	362/96
5,331,512	A	*	7/1994	Orton	361/760
5,779,353	A	*	7/1998	Kacheria	362/293
D427,343	S	*	6/2000	Reinbach	D26/28
D432,095	S	*	10/2000	Seeger et al.	D13/182
D452,904	S	*	1/2002	Peng	D23/370
6,386,733	B1	*	5/2002	Ohkohdo et al.	362/249

D470,969	S	*	2/2003	Paffrath	D26/122
D491,899	S	*	6/2004	Yagi	D13/180
6,774,401	B2	*	8/2004	Nakada et al.	257/82
D503,930	S	*	4/2005	Asakawa	D13/180
D505,120	S	*	5/2005	Suenaga	D13/180
D508,233	S	*	8/2005	Kasae et al.	D13/180
D512,029	S	*	11/2005	Kim et al.	D13/180
D512,694	S	*	12/2005	Kim et al.	D13/180

* cited by examiner

Primary Examiner—Freda S. Nunn

Assistant Examiner—Kevin K Rudzinski

(74) *Attorney, Agent, or Firm*—Wegman, Hessler & Vanderburg

(57) **CLAIM**

The ornamental design for a lighting assembly, as shown and described herein.

DESCRIPTION

FIG. 1 is a top perspective view of the lighting assembly of the present invention;

FIG. 2 is a bottom perspective view thereof;

FIG. 3 is a top plan view thereof;

FIG. 4 is a bottom view thereof;

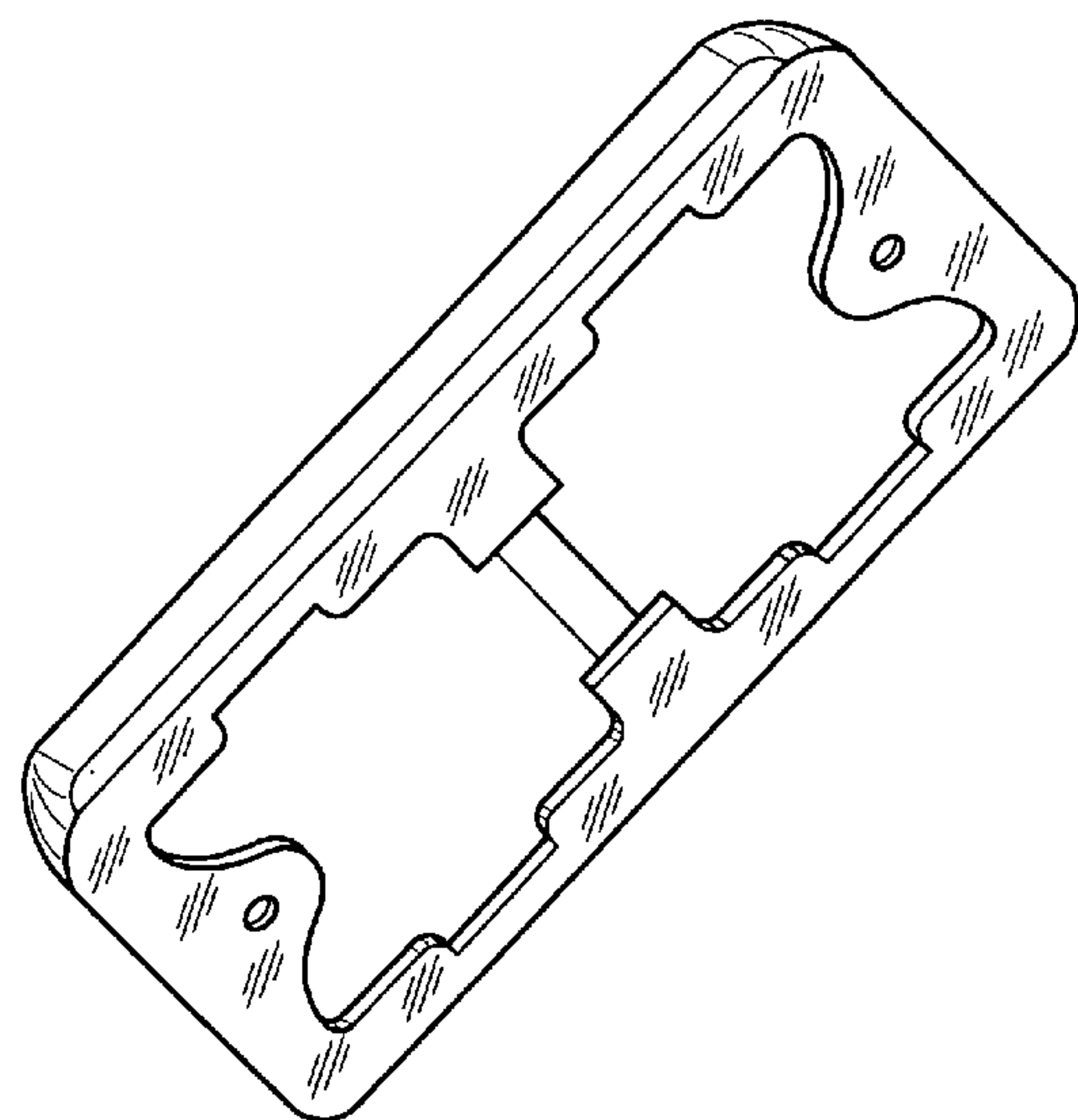
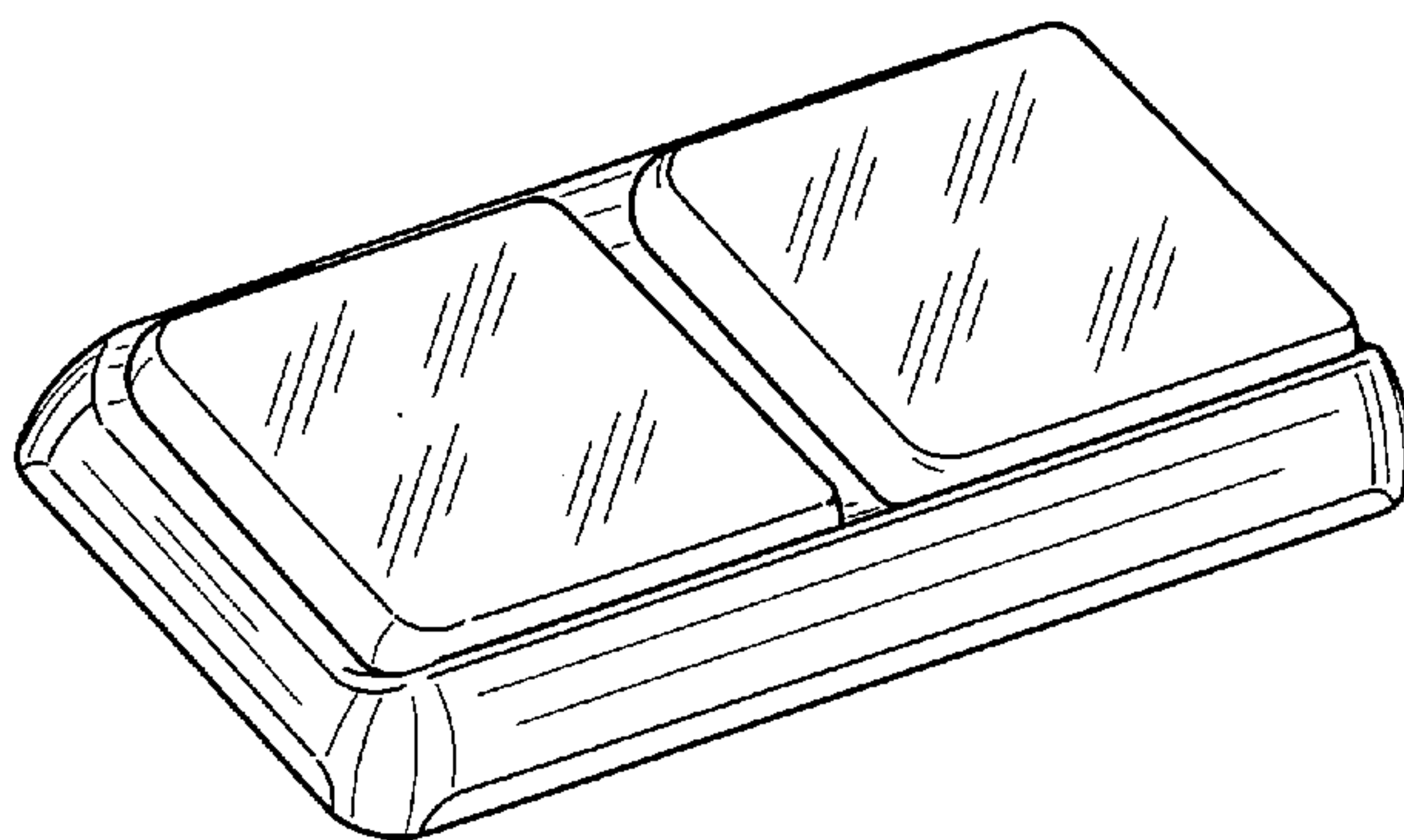
FIG. 5 is a front view thereof;

FIG. 6 is a back side view thereof;

FIG. 7 is a left side view thereof; and,

FIG. 8 is a right side view thereof.

1 Claim, 3 Drawing Sheets



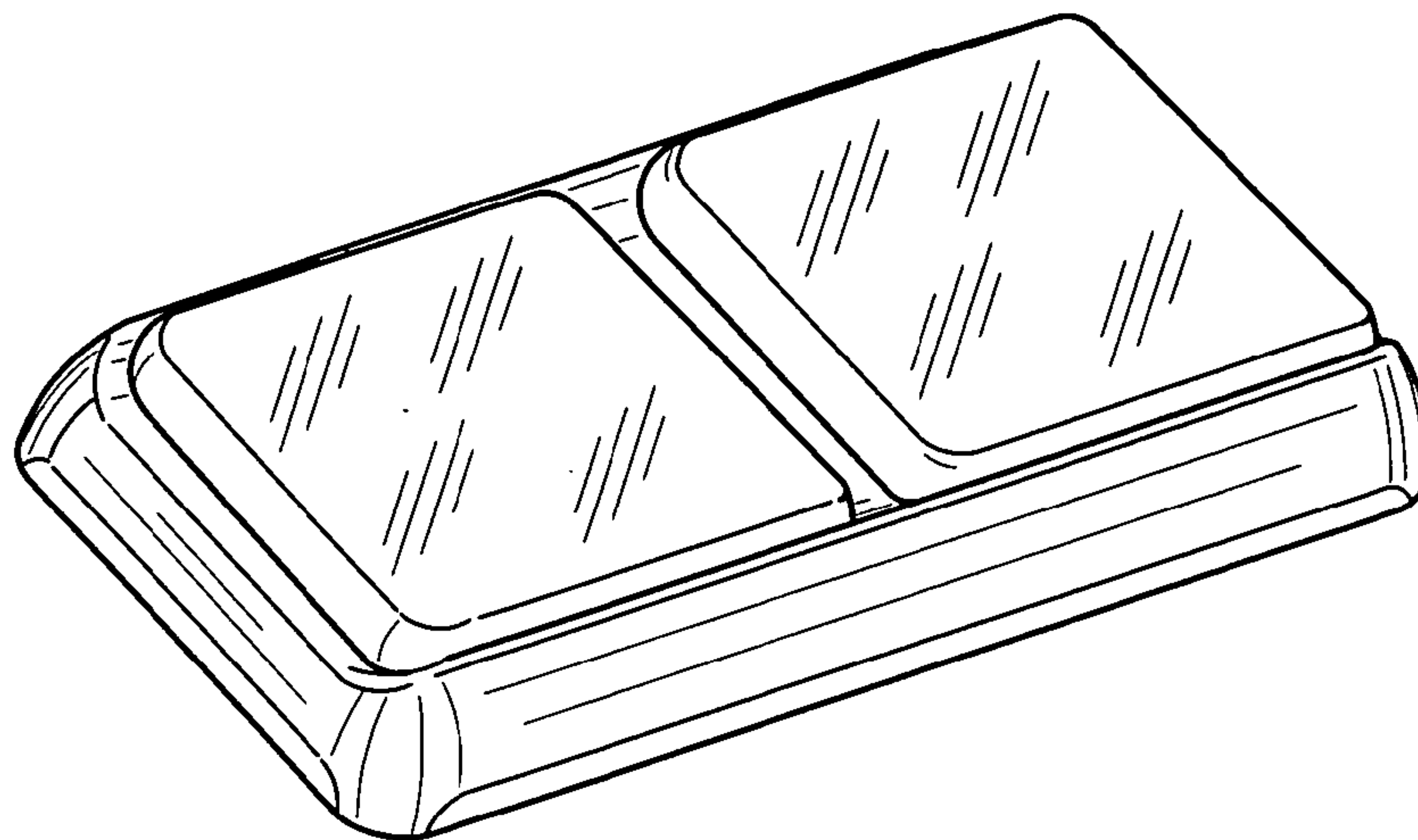


FIGURE 1

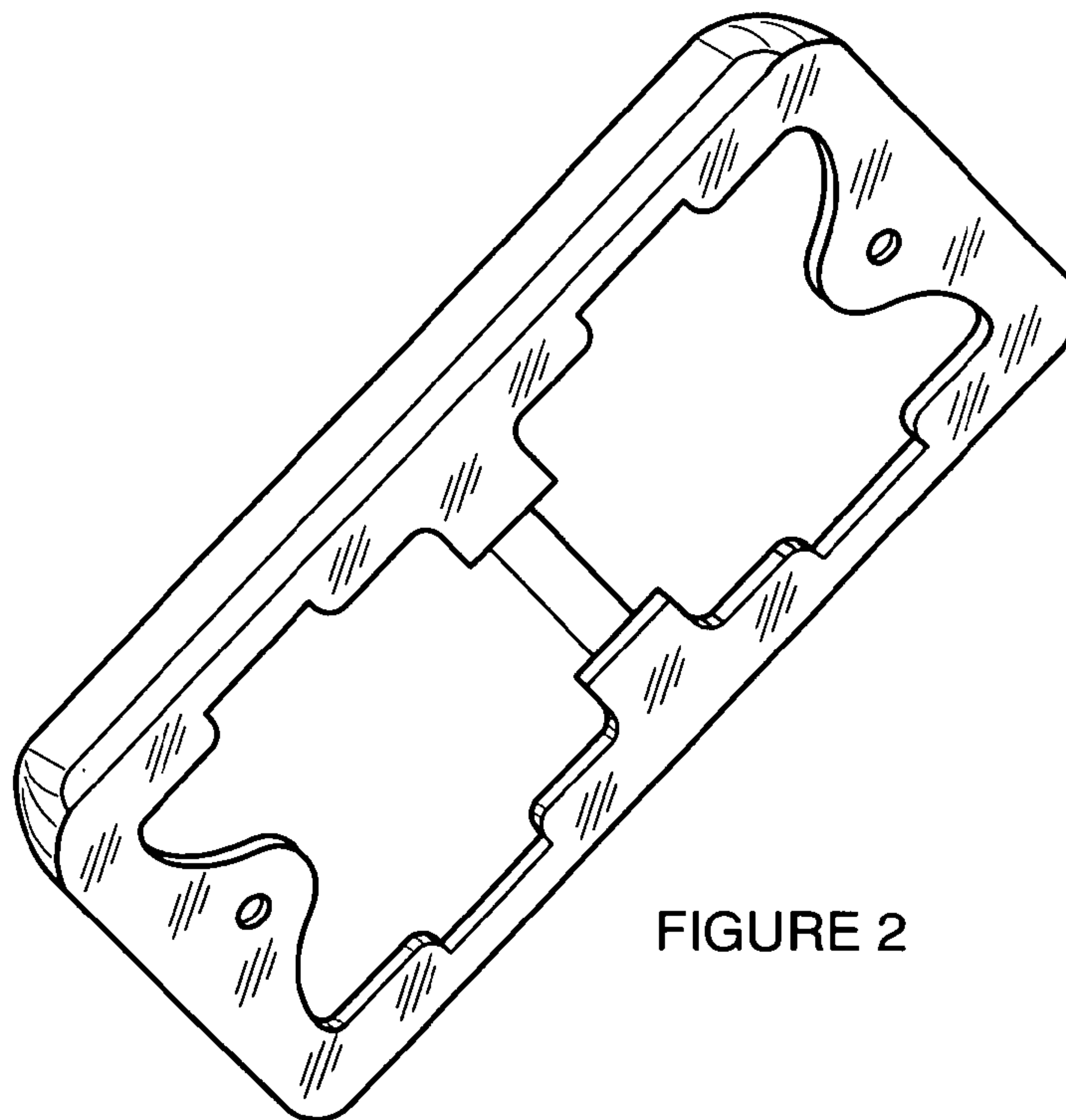


FIGURE 2

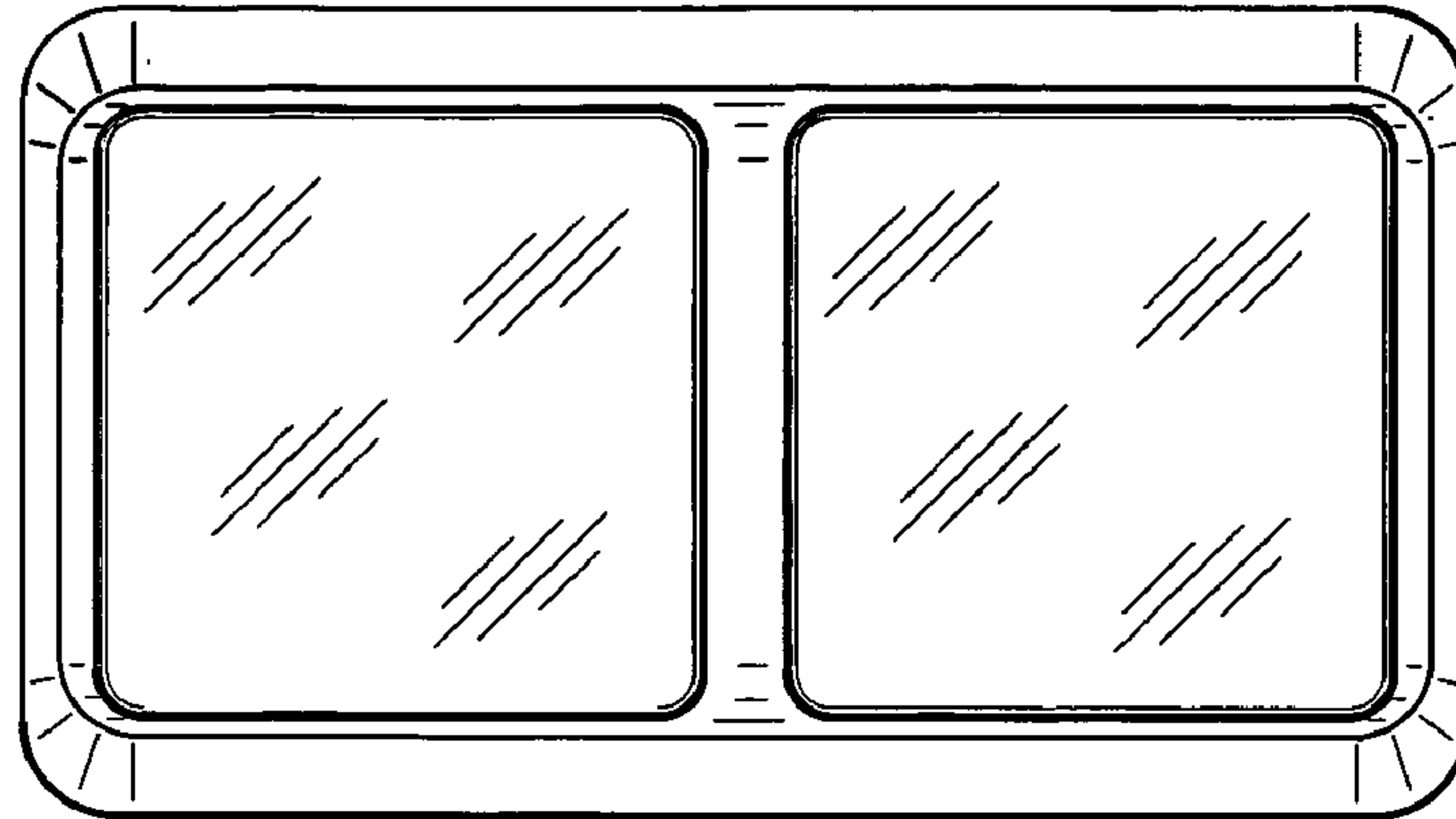


FIGURE 3

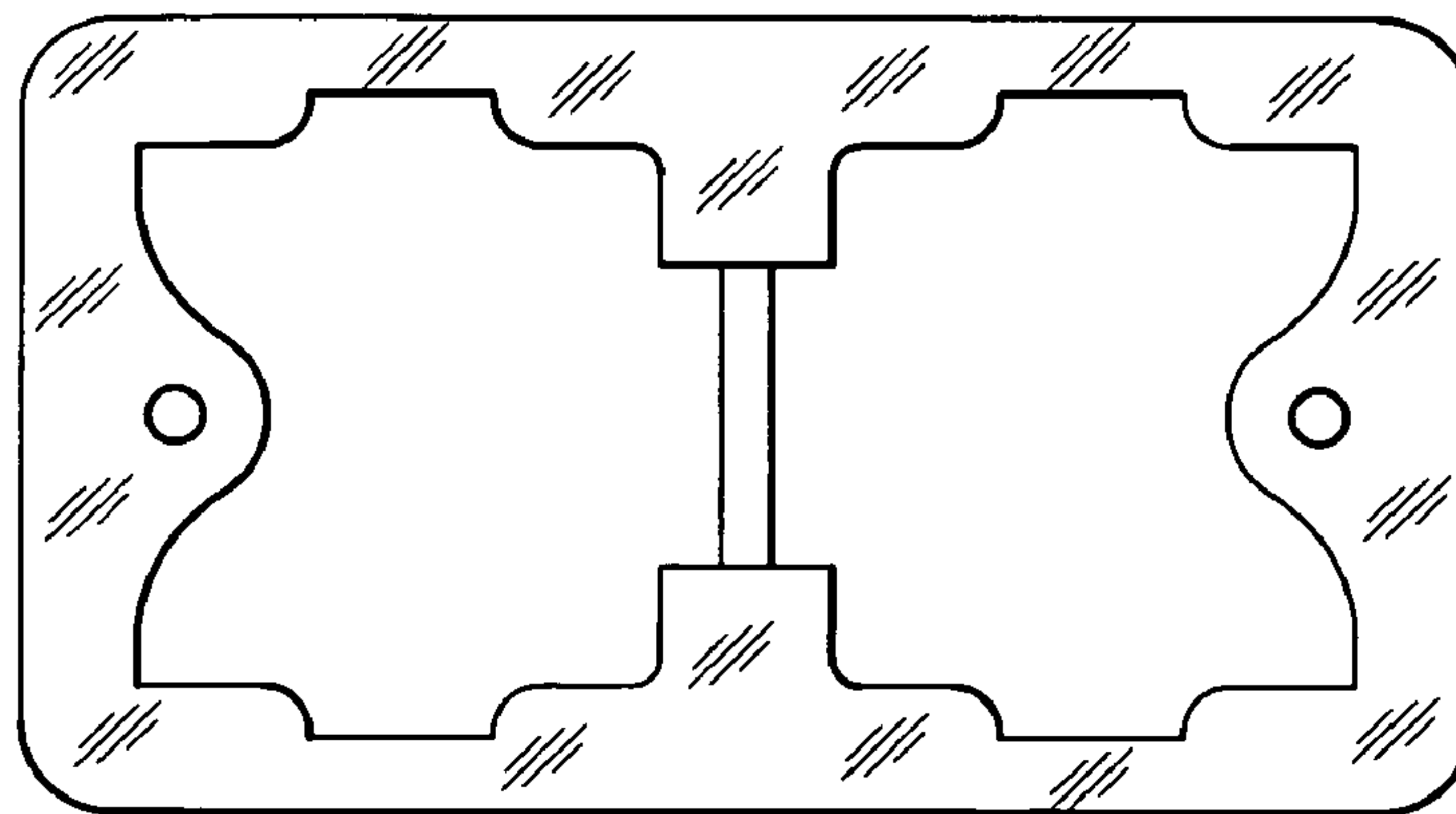


FIGURE 4

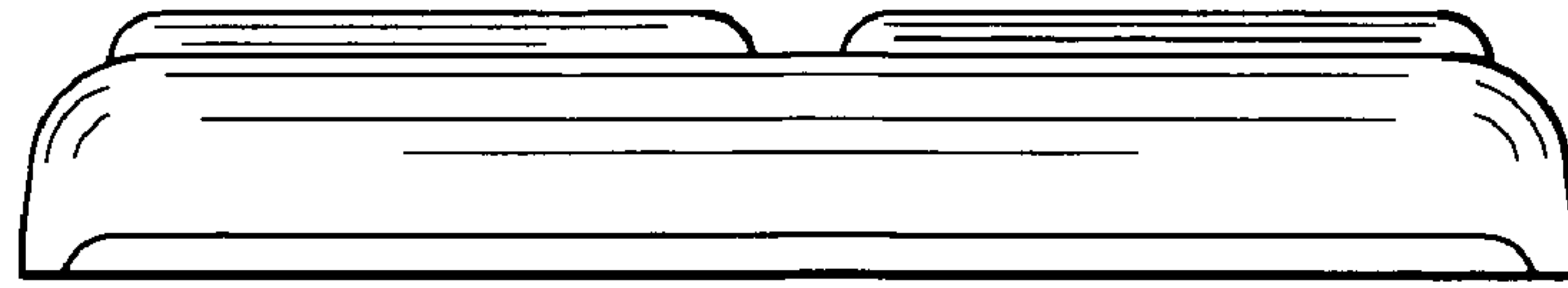


FIGURE 5

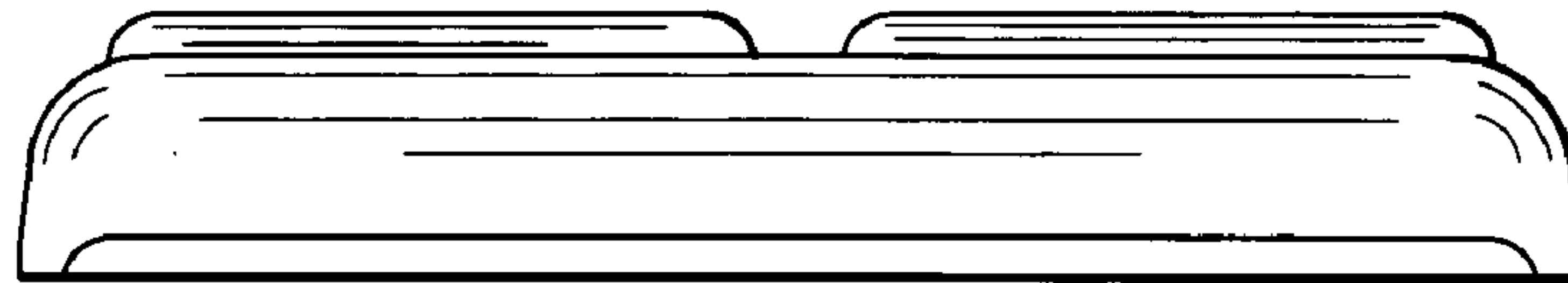


FIGURE 6

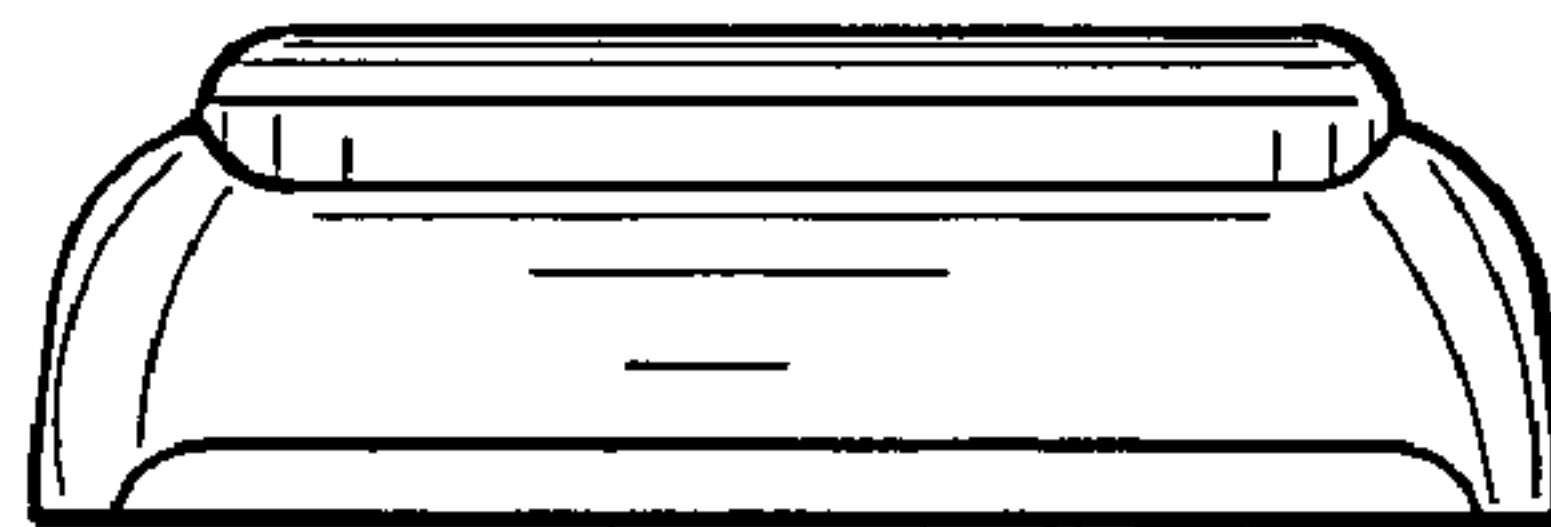


FIGURE 7

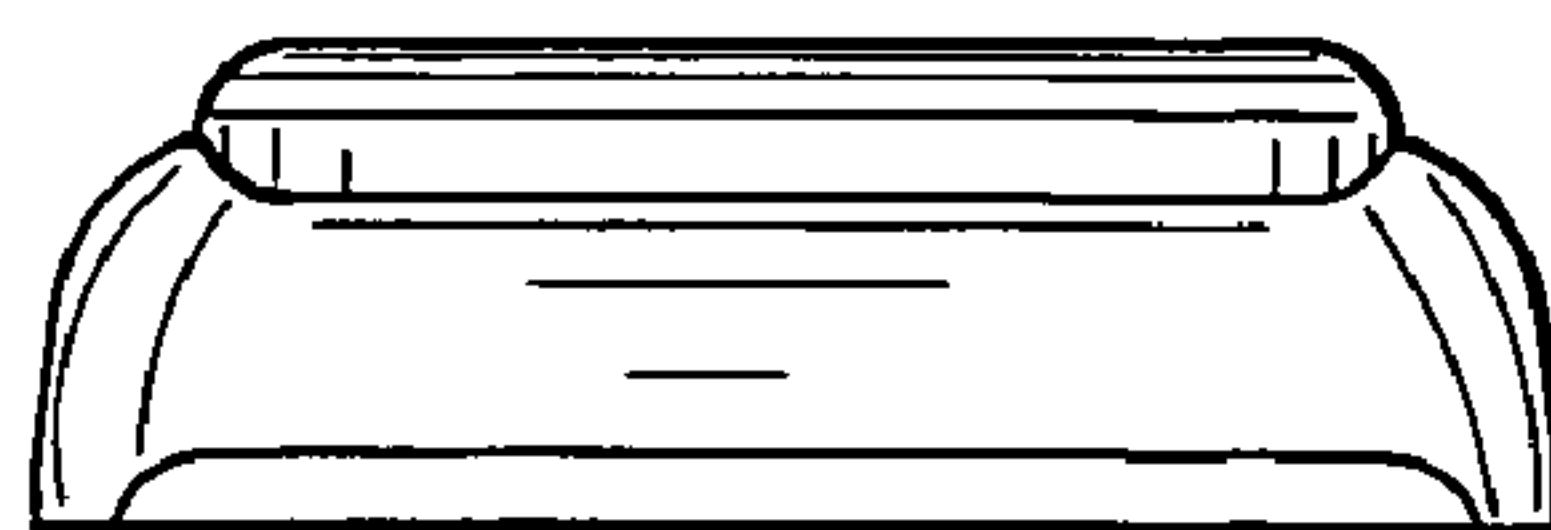


FIGURE 8