



US00D576757S

(12) **United States Design Patent**  
**Hesse et al.**

(10) **Patent No.:** **US D576,757 S**  
(45) **Date of Patent:** **\*\* Sep. 9, 2008**

(54) **FLASHLIGHT**

D537,970 S \* 3/2007 Shiu ..... D26/49  
D546,988 S \* 7/2007 Shiu ..... D26/37  
D557,836 S \* 12/2007 Shiu ..... D26/37

(75) Inventors: **Bryan Hesse**, Madison, CT (US);  
**Michael Bray**, Bentonville, AR (US);  
**James Sener**, Glastonbury, CT (US)

\* cited by examiner

(73) Assignee: **Garrity Industries, Inc.**, Madison, CT (US)

*Primary Examiner*—Marcus A. Jackson  
(74) *Attorney, Agent, or Firm*—Fitzpatrick, Cella, Harper & Scinto

(\*\*) Term: **14 Years**

(57) **CLAIM**

(21) Appl. No.: **29/302,345**

The ornamental design for a flashlight, as shown and described.

(22) Filed: **Jan. 15, 2008**

(51) **LOC (8) Cl.** ..... **26-02**

(52) **U.S. Cl.** ..... **D26/49**

(58) **Field of Classification Search** ..... D26/37-50;  
362/157, 158, 171-174, 183-208  
See application file for complete search history.

**DESCRIPTION**

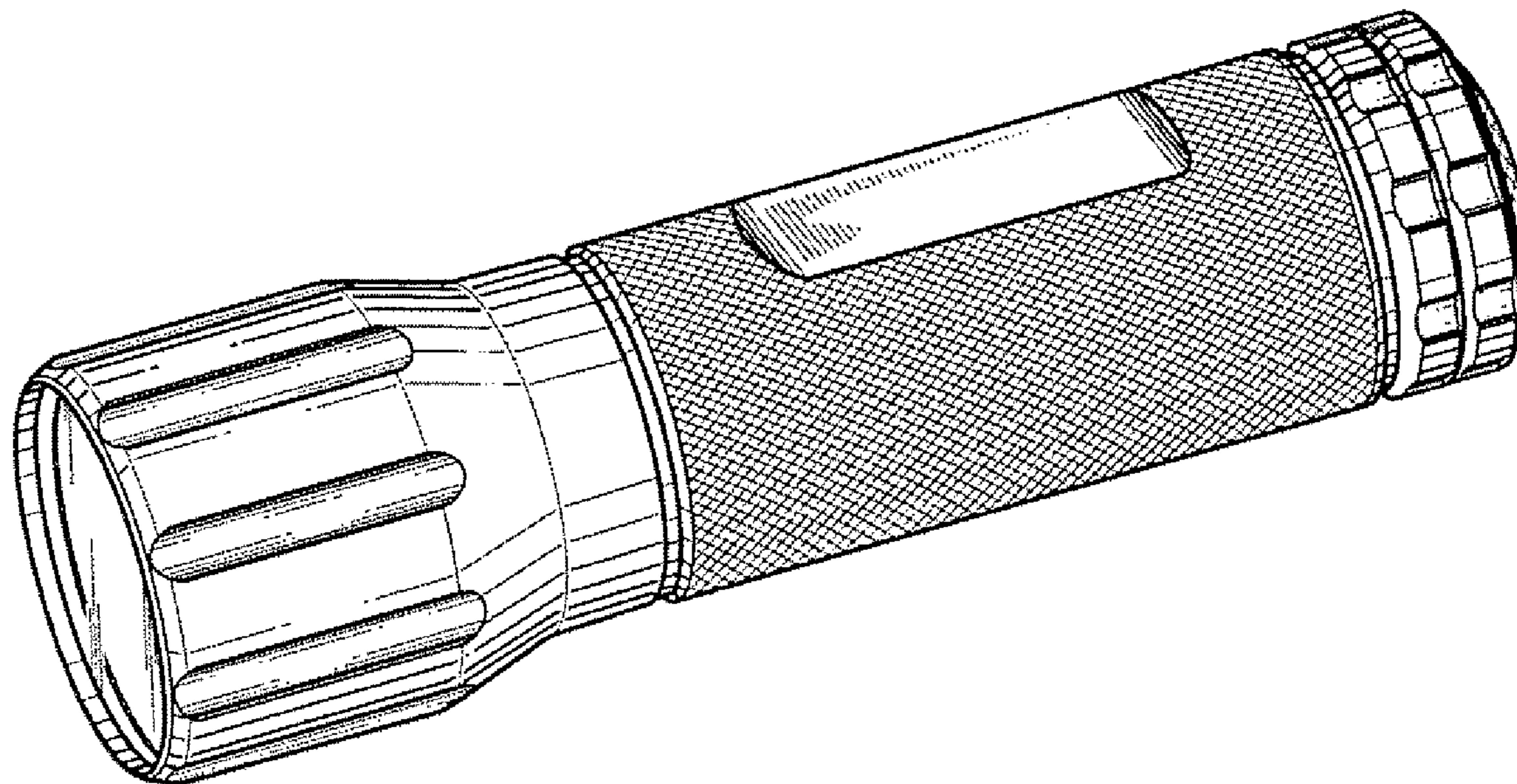
FIG. 1 is a perspective view thereof,  
FIG. 2 is a top view thereof;  
FIG. 3 is a right side view thereof;  
FIG. 4 is a bottom view thereof;  
FIG. 5 is a left side view thereof;  
FIG. 6 is a rear end view thereof; and,  
FIG. 7 is a front end view thereof.

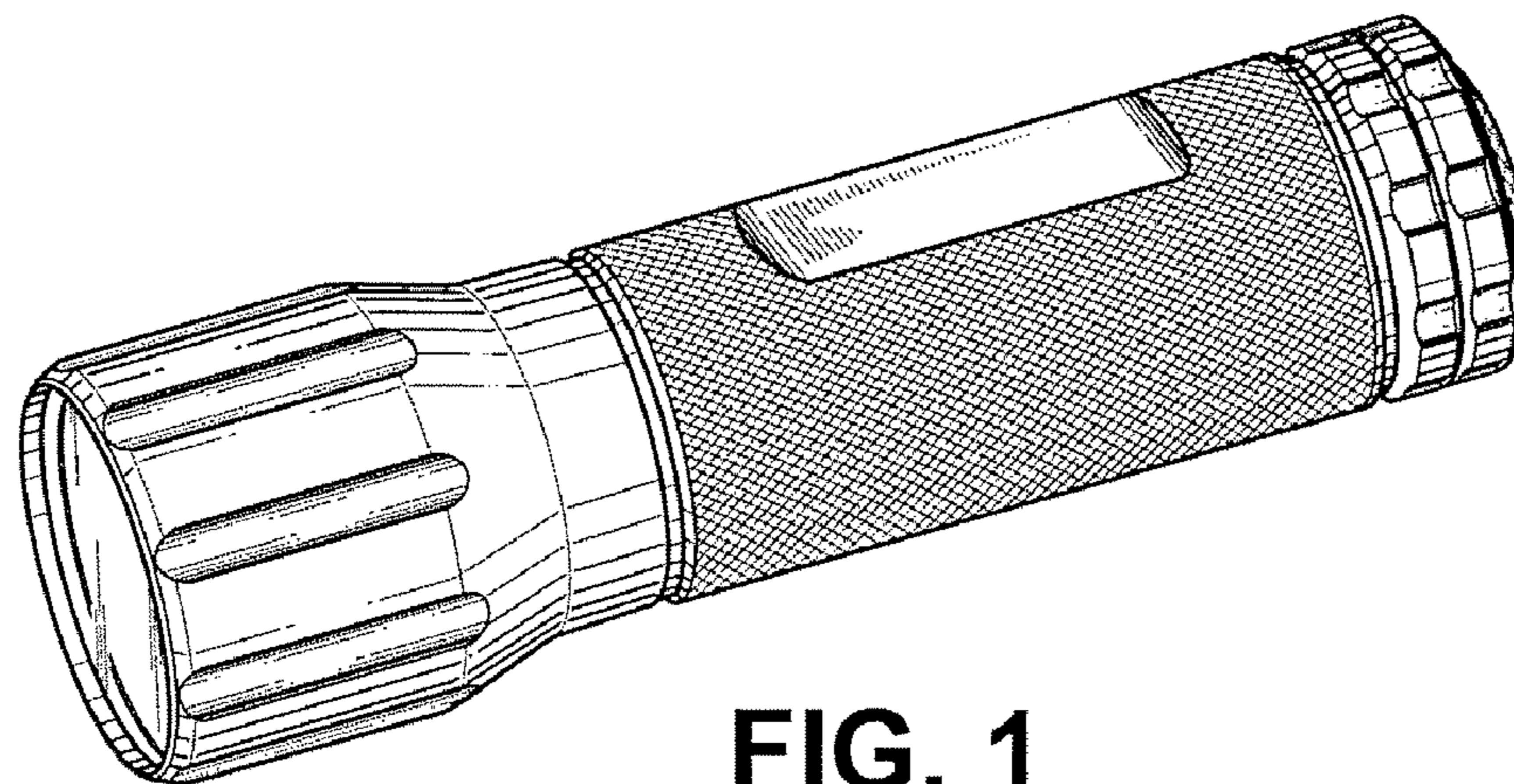
(56) **References Cited**

**U.S. PATENT DOCUMENTS**

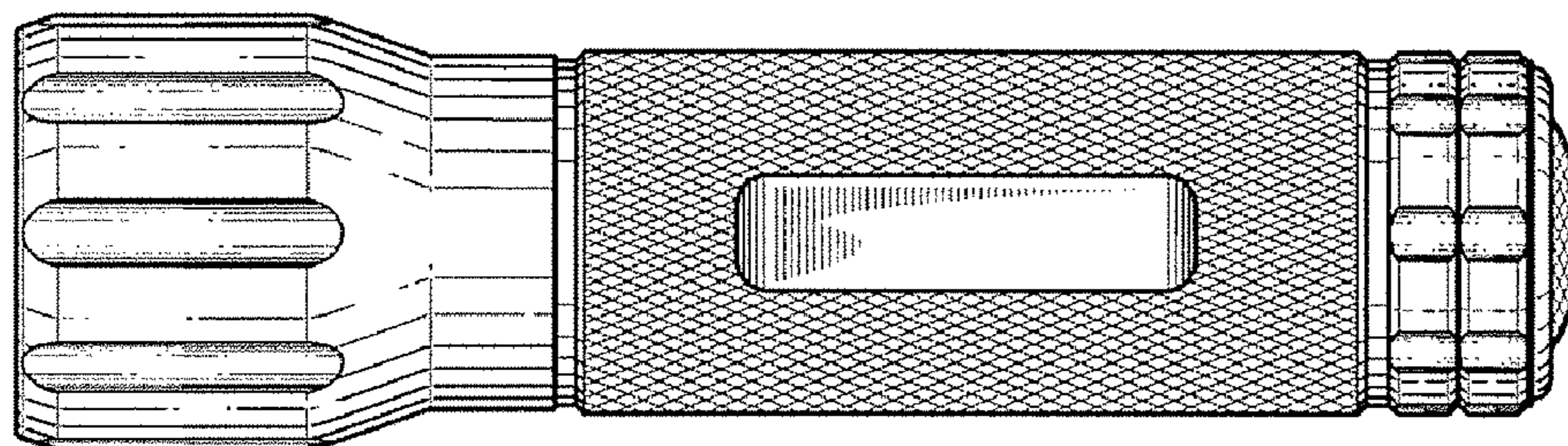
D520,661 S \* 5/2006 Chien ..... D26/49  
D532,138 S \* 11/2006 Wang et al. .... D26/49  
D536,465 S \* 2/2007 Krieger et al. .... D26/49

**1 Claim, 2 Drawing Sheets**

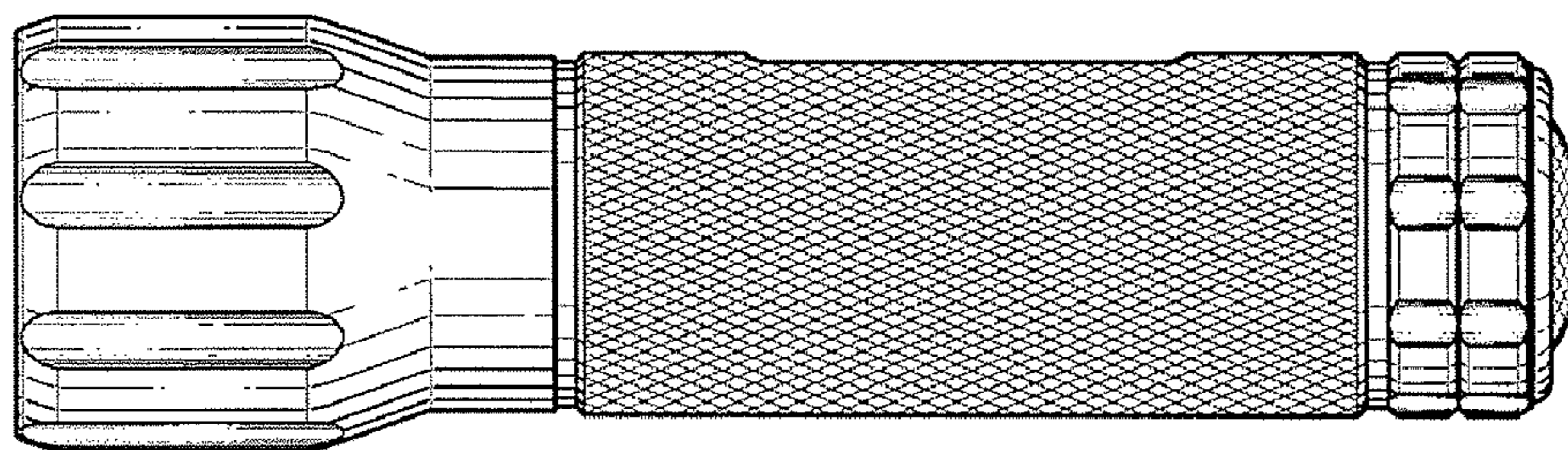




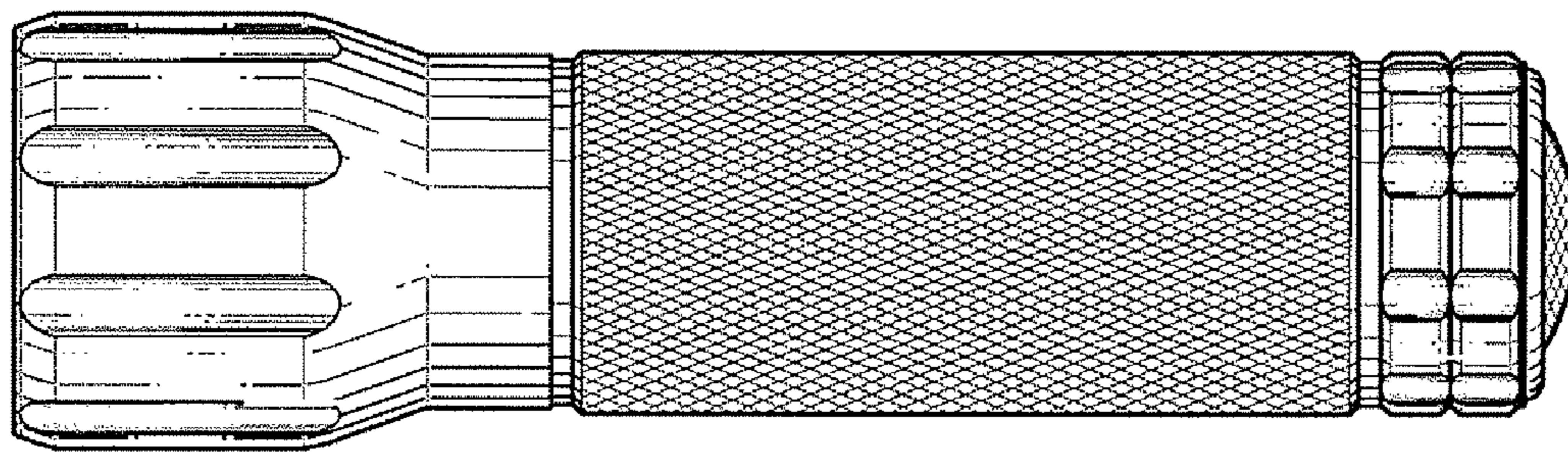
**FIG. 1**



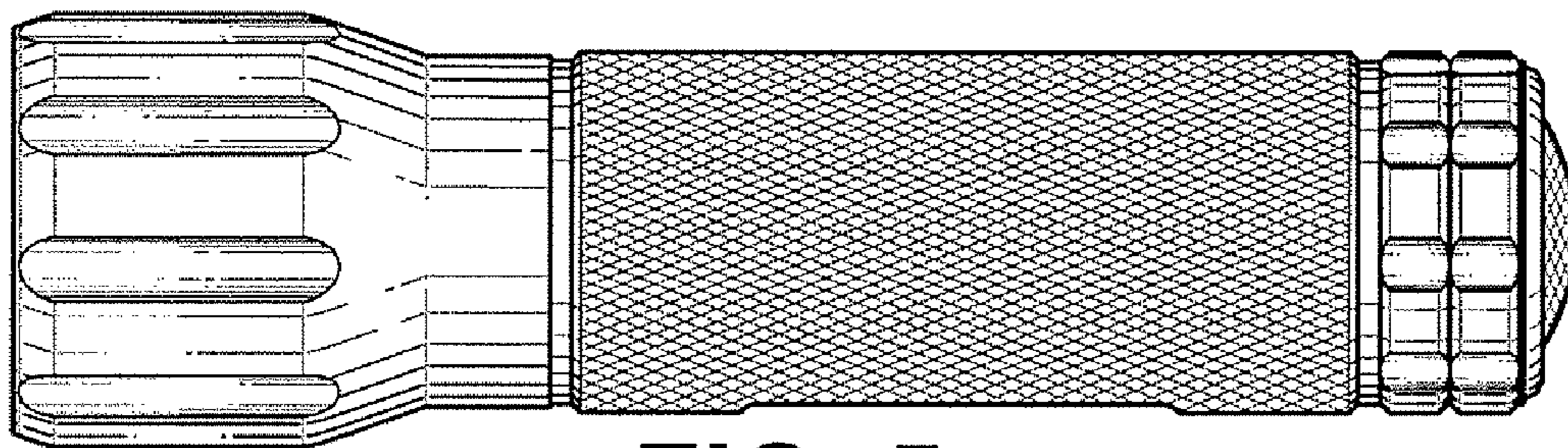
**FIG. 2**



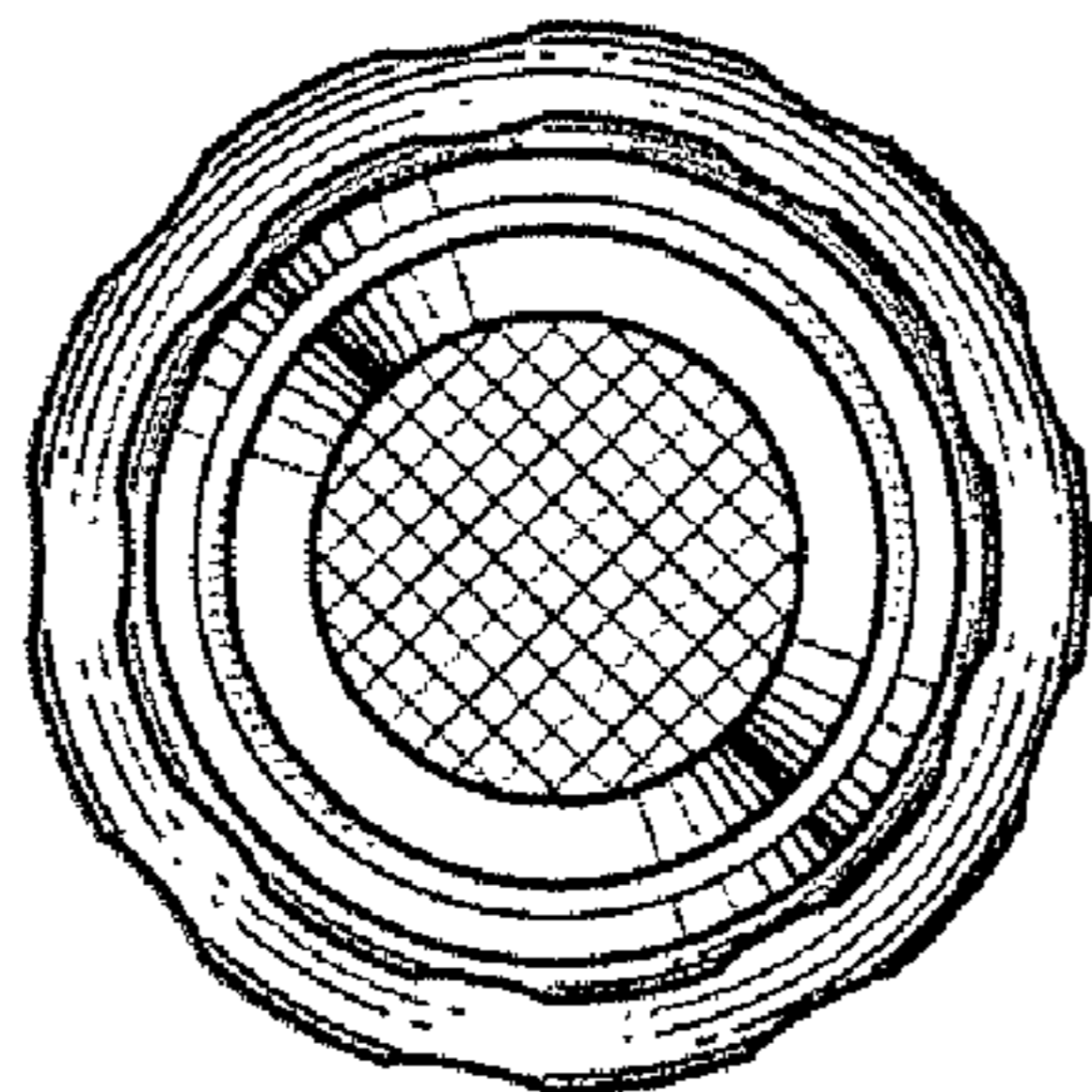
**FIG. 3**



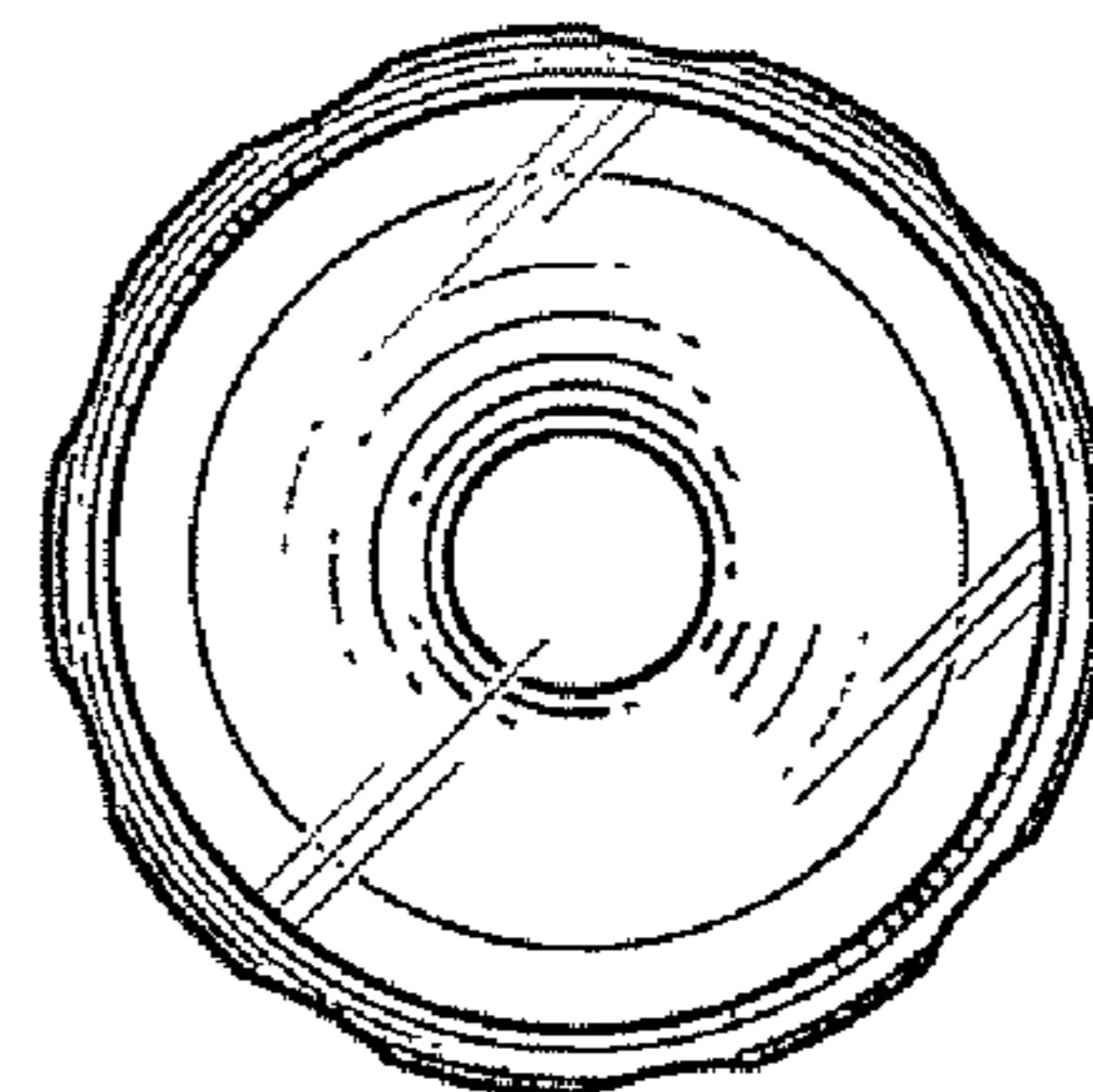
**FIG. 4**



**FIG. 5**



**FIG. 6**



**FIG. 7**