



US00D576754S

(12) **United States Design Patent**  
**Wang**

(10) **Patent No.:** **US D576,754 S**

(45) **Date of Patent:** **\*\* Sep. 9, 2008**

(54) **IDENTIFICATION LIGHT BAR**

D534,669 S \* 1/2007 Seward et al. .... D26/31

(75) Inventor: **Jun-Ren Wang**, Tainan (TW)

\* cited by examiner

(73) Assignee: **Lucidity Enterprise Co., Ltd.**, An-Nan District, Tainan (TW)

*Primary Examiner*—Marcus A. Jackson

(\*\*) Term: **14 Years**

(57) **CLAIM**

(21) Appl. No.: **29/302,077**

The ornamental design for an identification light bar, as shown and described.

(22) Filed: **Jan. 10, 2008**

**DESCRIPTION**

(51) **LOC (8) Cl.** ..... **26-06**

FIG. 1 is a perspective view of an identification light bar showing my design;

(52) **U.S. Cl.** ..... **D26/31**

FIG. 2 is a front elevational view thereof;

(58) **Field of Classification Search** ..... D26/28-36;  
362/459-468, 475-478, 485-487

FIG. 3 is a rear elevational view thereof;

See application file for complete search history.

FIG. 4 is a left side elevational view thereof;

FIG. 5 is a right side elevational view thereof;

(56) **References Cited**

**U.S. PATENT DOCUMENTS**

D434,161 S \* 11/2000 Fritzinger ..... D26/35

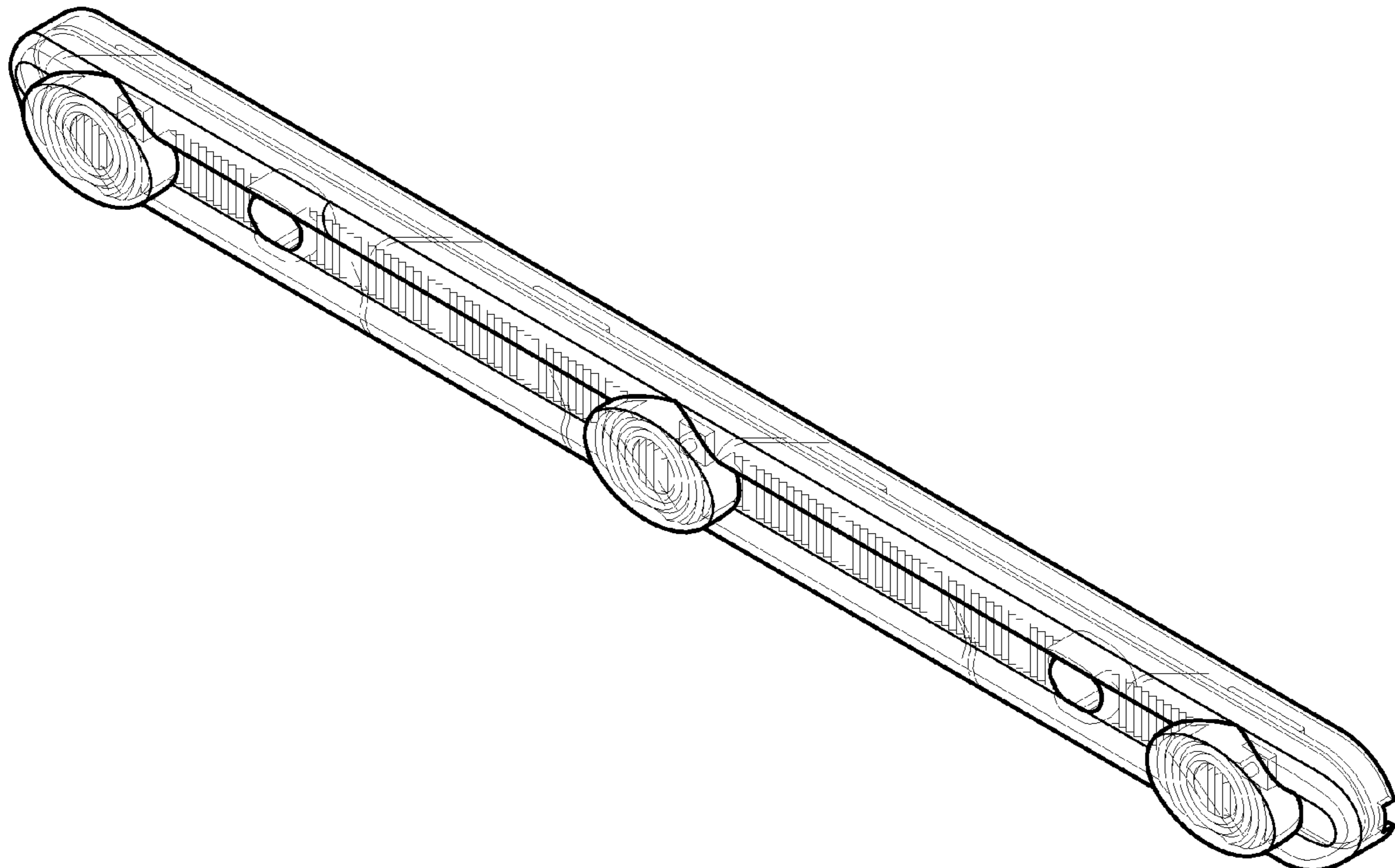
D524,467 S \* 7/2006 Branstetter et al. .... D26/31

D530,029 S \* 10/2006 Neufeglise et al. .... D26/28

FIG. 6 is a top plan view thereof; and,

FIG. 7 is a bottom plan view thereof.

**1 Claim, 4 Drawing Sheets**



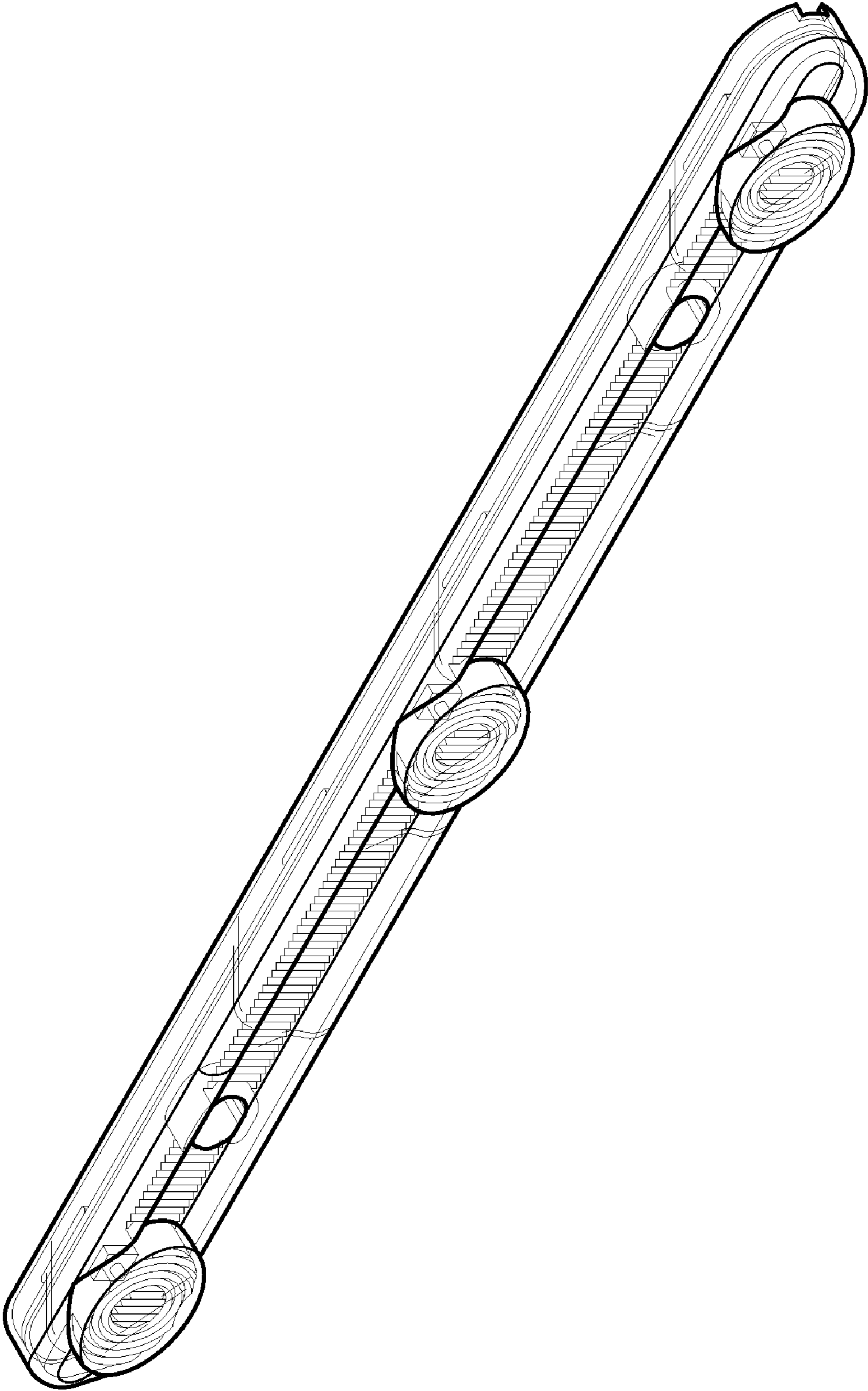


FIG. 1

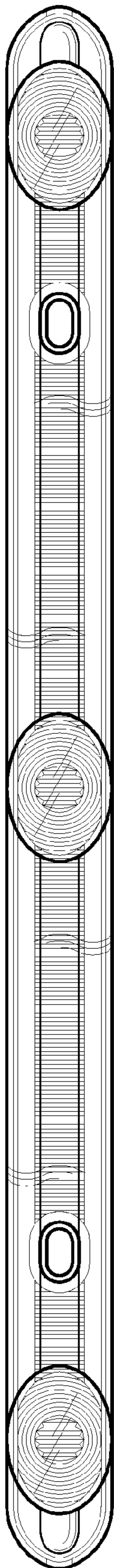


FIG. 2

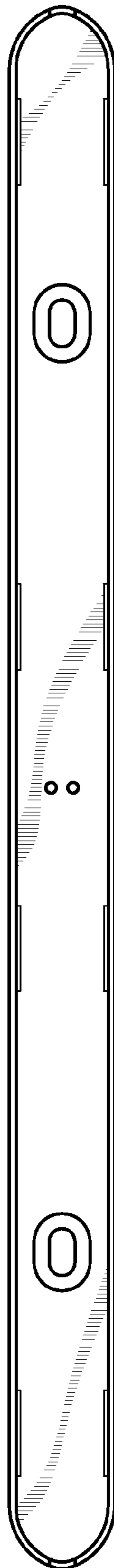
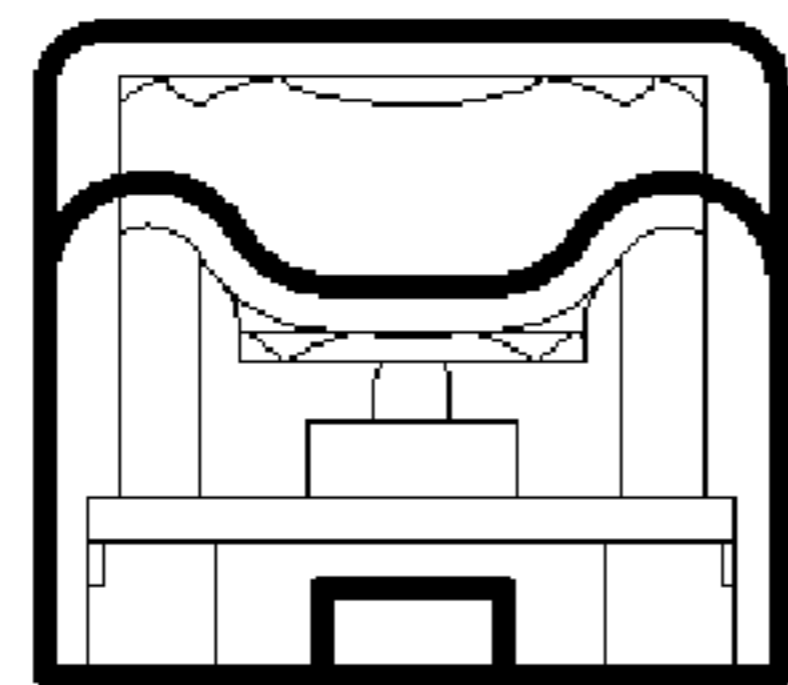
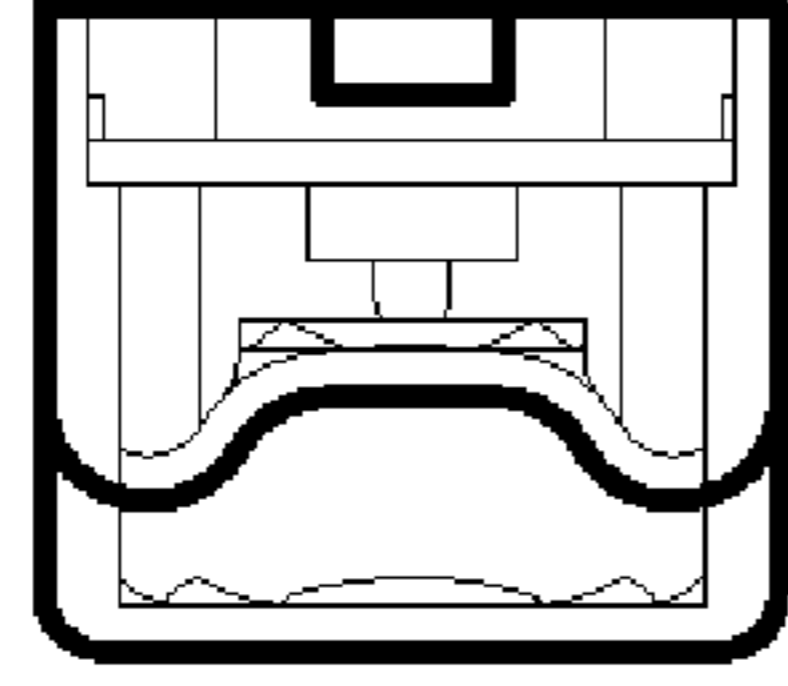


FIG. 3



**FIG. 4**

**FIG. 5**

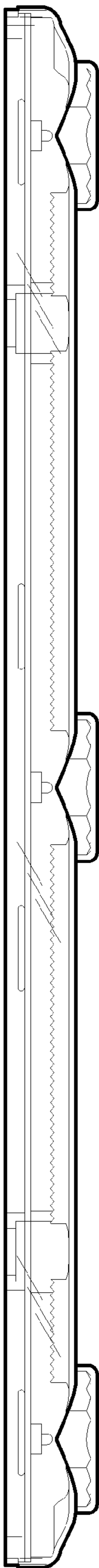


FIG. 6

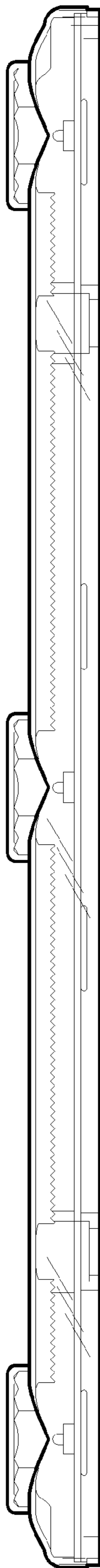


FIG. 7