



US00D576750S

(12) **United States Design Patent**
Adams et al.

(10) **Patent No.:** **US D576,750 S**
(45) **Date of Patent:** **** Sep. 9, 2008**

- (54) **DECORATIVE CANDLEHOLDER**
- (75) Inventors: **Mary Beth Adams**, Antioch, IL (US);
Chris A. Kubicek, East Troy, WI (US);
Romuald Marie, Paris (FR)

1,320,109 A 10/1919 Wooster
 1,336,635 A 4/1920 Knapp
 1,448,558 A 3/1923 Maggi
 1,484,964 A 2/1924 Benneville

- (73) Assignee: **S.C. Johnson & Son, Inc.**, Racine, WI (US)

(Continued)

FOREIGN PATENT DOCUMENTS

- (**) Term: **14 Years**

DE 3403604 8/1985

- (21) Appl. No.: **29/234,476**

(Continued)

- (22) Filed: **Jul. 19, 2005**

OTHER PUBLICATIONS

International Candle House catalog (1966-67); Bobeshes pp. 54-55.

(Continued)

Related U.S. Application Data

- (63) Continuation-in-part of application No. 11/123,461, filed on May 6, 2005, and a continuation-in-part of application No. 11/123,809, filed on May 6, 2005, now Pat. No. 7,287,978.

Primary Examiner—Robert M. Spear
Assistant Examiner—Ania K Dworzecka
 (74) *Attorney, Agent, or Firm*—McCracken & Frank LLP

- (51) **LOC (8) Cl.** **26-01**
- (52) **U.S. Cl.** **D26/9**
- (58) **Field of Classification Search** D26/6-23;
431/288, 125, 126, 292, 289; D11/131, 131.1,
D11/157; D7/585

(57) **CLAIM**

The ornamental design for a decorative candleholder, as shown and described.

See application file for complete search history.

DESCRIPTION

- (56) **References Cited**

U.S. PATENT DOCUMENTS

- 213,184 A 3/1879 Frick
- 405,786 A 6/1889 Ludde
- 407,051 A 7/1889 Baumer
- 408,973 A 8/1889 Heller
- 484,210 A 10/1892 Ludde
- 779,644 A 1/1905 Ferrier
- 837,240 A 11/1906 Mulkerins
- 874,241 A 12/1907 Reischer
- 1,044,256 A 11/1912 Satter
- D43,845 S 4/1913 Hirschfeld
- 1,195,657 A 8/1916 Chersky
- D49,902 S 11/1916 Labaree et al.
- 1,229,140 A 6/1917 Ritter
- 1,316,624 A 9/1919 Lucas

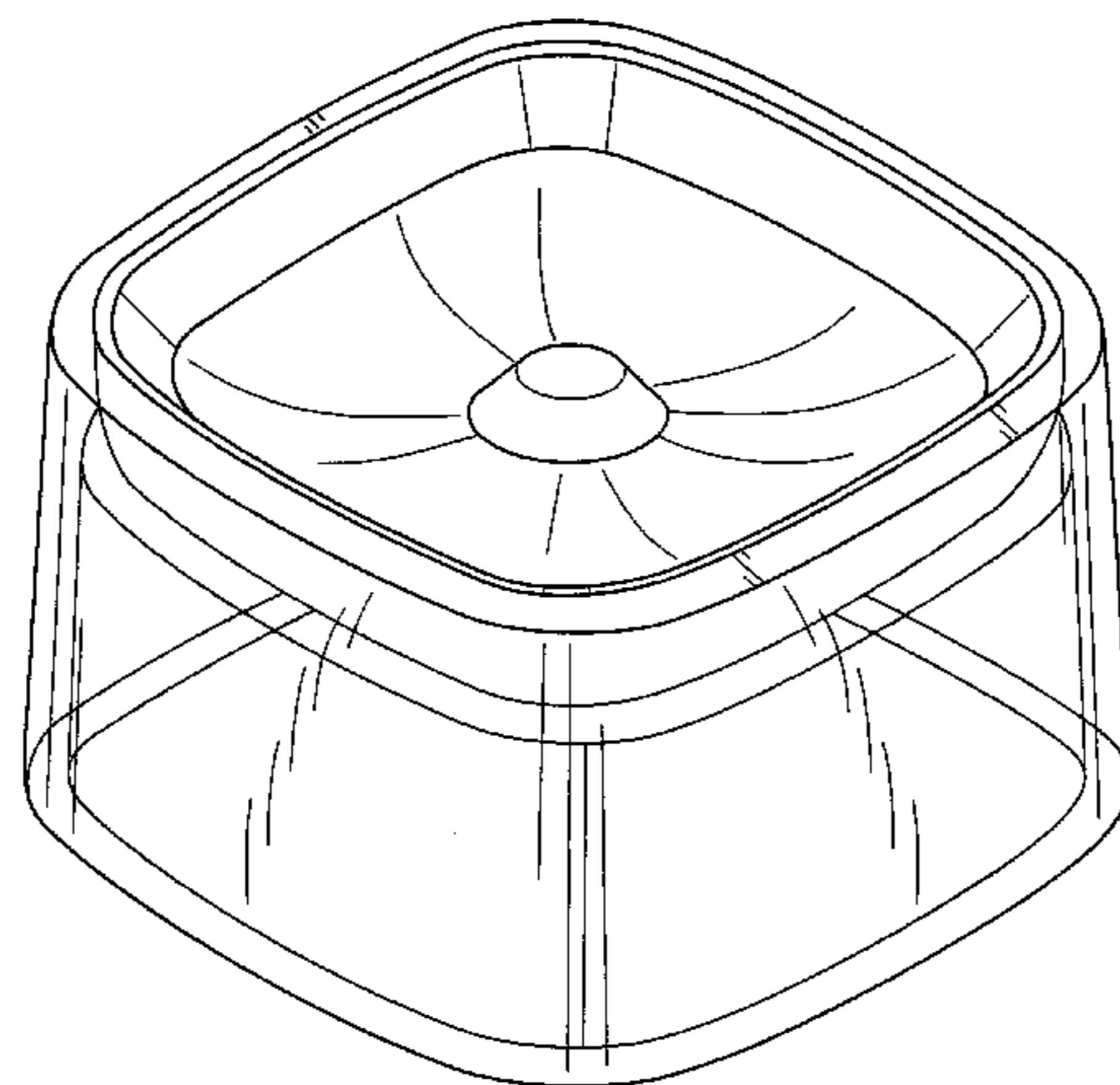
FIG. 1 is an isometric view of a decorative candleholder showing our new design;

FIG. 2 is a front elevational view of the decorative candleholder shown in FIG. 1, the rear side, left side, and right side elevational views being identical thereto; and,

FIG. 3 is a top plan view of the decorative candleholder shown in FIG. 1.

In FIG. 2, a bottom curved line illustrates a lower surface that defines a hollow bottom portion of the decorative candleholder. The lower surface is also illustrated in FIG. 1. Further, a horizontal line in a top portion of the decorative candleholder shown in FIG. 2 illustrates a top portion of a melting plate of the decorative candleholder.

1 Claim, 2 Drawing Sheets



US D576,750 S

Page 2

U.S. PATENT DOCUMENTS					
			4,588,618 A	5/1986	Wolfe
D66,972 S	4/1925	Farber	D285,396 S	9/1986	Odate
D67,108 S	4/1925	Steeple	D292,525 S	10/1987	Van Deelen
1,640,734 A	8/1927	Smith	4,755,135 A	7/1988	Kwok
D75,463 S	6/1928	Bach	4,781,895 A	11/1988	Spector
D80,971 S	4/1930	Sakier	4,804,323 A	2/1989	Kim
D83,100 S	1/1931	Gisolfi	D312,507 S	11/1990	Thoreson
D105,118 S	6/1937	Mackelfresh, Jr.	4,983,119 A	1/1991	Lin
D110,902 S	8/1938	Loesch	5,015,175 A	5/1991	Lee
D119,587 S	3/1940	Fuerst	D320,266 S	9/1991	Kunze
D120,220 S	4/1940	Guild	5,069,617 A	12/1991	Lin
2,234,903 A	3/1941	Muench	5,078,591 A	1/1992	Despres
2,237,523 A	4/1941	Damon	5,078,945 A	1/1992	Byron
2,246,346 A	6/1941	Wells	5,086,380 A	2/1992	Hedner, Jr.
2,254,906 A	9/1941	Petrulis	D325,077 S	3/1992	Kearnes
2,324,753 A	7/1943	Alexiade	5,101,328 A	3/1992	Hai
2,354,343 A	7/1944	Webber et al.	D329,942 S	10/1992	Carr
2,393,767 A	1/1946	Gould	5,174,645 A	12/1992	Chung
2,462,440 A	2/1949	Tierney	5,193,995 A	3/1993	Keller et al.
2,494,995 A	1/1950	Gardner	5,338,187 A	8/1994	Elharar
2,713,256 A	7/1955	Oesterle	5,363,590 A	11/1994	Lee
2,758,460 A	8/1956	Ciano	D355,266 S	2/1995	Caplette et al.
2,775,006 A	12/1956	Kranc	D356,472 S	3/1995	Jaworski
2,809,512 A	10/1957	Hartnett	5,425,633 A	6/1995	Cole
RE24,423 E	2/1958	Oesterle et al.	D360,461 S	7/1995	Gillespie
3,121,316 A	2/1964	Wilson	D369,221 S	4/1996	Linderman
D206,946 S	2/1967	Knodt	D369,871 S	5/1996	Lui
D208,064 S	7/1967	Quistgaard et al.	D371,212 S	6/1996	Hardy et al.
D208,097 S	7/1967	Henn	D376,002 S	11/1996	Upson
D216,142 S *	11/1969	Gribbens D7/523	D377,402 S	1/1997	Perkins
3,565,281 A	2/1971	Collie	D383,555 S	9/1997	Hardy
D226,240 S	1/1973	Twedt	D383,944 S	9/1997	Lillelund et al.
3,730,674 A	5/1973	Gross	5,690,484 A	11/1997	Leonard et al.
3,741,711 A	6/1973	Bryant	D390,676 S	2/1998	Hollington
3,749,904 A	7/1973	Graff	D391,119 S	2/1998	Rapaz
3,762,857 A	10/1973	Andeweg	D393,910 S	4/1998	Chambers et al.
D229,852 S	1/1974	Lindblad	D394,513 S	5/1998	Davis
3,890,523 A	6/1975	Poirier	D395,529 S	6/1998	Yuen
D236,064 S	7/1975	Balbo	5,807,096 A	9/1998	Shin et al.
3,898,039 A	8/1975	Lin	D399,298 S	10/1998	Whitehead
3,910,753 A	10/1975	Lee	5,840,246 A	11/1998	Hammons et al.
3,932,113 A	1/1976	Thrush	5,842,850 A	12/1998	Pappas
3,994,502 A	11/1976	Lombardi	5,843,194 A	12/1998	Spaulding
4,013,397 A	3/1977	Neugart	5,871,553 A	2/1999	Spaulding
4,019,856 A	4/1977	Lacroix	D410,756 S	6/1999	Kleinberg
D247,635 S	3/1978	Maxwell	5,921,767 A	7/1999	Song
D248,499 S	7/1978	Ulrich et al.	5,927,959 A	7/1999	Johnson
D248,500 S	7/1978	Ulrich et al.	5,951,278 A	9/1999	Young et al.
4,102,634 A	7/1978	Crisp	5,955,034 A	9/1999	Zaunbrecher et al.
D248,787 S	8/1978	Ulrich et al.	5,955,958 A	9/1999	Lu
D248,788 S	8/1978	Ulrich et al.	D415,295 S	10/1999	Kochis et al.
D248,789 S	8/1978	Ulrich et al.	5,961,967 A	10/1999	Powell et al.
D253,432 S	11/1979	Van Koert	D416,099 S	11/1999	Hardy
D253,732 S	12/1979	Van Koert	D416,341 S	11/1999	Allen
4,185,953 A	1/1980	Schirneker	5,980,241 A	11/1999	Schirneker
4,206,500 A	6/1980	Neil	6,019,804 A	2/2000	Requejo et al.
4,206,560 A	6/1980	Sefried, II	6,033,209 A	3/2000	Shin et al.
4,224,017 A	9/1980	Kayne	D422,180 S	4/2000	Sundberg
4,234,303 A	11/1980	Neugart	6,050,812 A	4/2000	Chuang
D257,641 S	12/1980	Taylor	D425,220 S	5/2000	Klett et al.
D264,385 S	5/1982	Meyer	D425,636 S	5/2000	Freeman
4,332,548 A	6/1982	Linton et al.	6,059,564 A	5/2000	Morris
4,381,914 A	5/1983	Ferguson	6,062,847 A	5/2000	Pappas
4,427,366 A	1/1984	Moore	6,068,472 A	5/2000	Freeman et al.
4,477,249 A	10/1984	Ruzek et al.	D426,902 S	6/2000	Hardy et al.
4,524,408 A	6/1985	Minera	6,074,199 A	6/2000	Song
D280,443 S	9/1985	Boss	6,079,975 A	6/2000	Conover
4,544,351 A	10/1985	Marsicano	6,099,877 A	8/2000	Schuppan
4,551,794 A	11/1985	Sandell	D430,943 S	9/2000	Zutler
4,557,687 A	12/1985	Schirneker	D433,168 S	10/2000	Cousins
4,568,269 A	2/1986	Lin	6,129,771 A	10/2000	Ficke et al.
4,568,270 A	2/1986	Marcus et al.	6,152,728 A	11/2000	Griffel
			D435,100 S	12/2000	Pesu et al.

US D576,750 S

D436,415 S	1/2001	Hardy	6,695,611 B2	2/2004	Lee
D436,416 S	1/2001	Iu	D487,687 S	3/2004	Shields, Jr.
6,214,063 B1	4/2001	DeStefano et al.	6,709,266 B2	3/2004	Jensen
D442,709 S	5/2001	Klett et al.	6,730,137 B2	5/2004	Pesu et al.
D443,080 S	5/2001	Klett et al.	6,733,279 B2	5/2004	Thigpen et al.
D443,081 S	5/2001	Klett et al.	D491,288 S	6/2004	Young
D443,082 S	5/2001	Klett et al.	D493,548 S	7/2004	Goldman
D443,101 S	5/2001	Williamson	D495,437 S	8/2004	Barbera
6,231,336 B1	5/2001	Chen	D495,438 S	8/2004	Barbera et al.
6,241,362 B1	6/2001	Morrison	6,769,905 B2	8/2004	Gray et al.
6,241,513 B1	6/2001	Jeneral	6,780,382 B2	8/2004	Furner
D445,030 S	7/2001	Croft et al.	D496,474 S	9/2004	Murdick
D445,337 S	7/2001	Croft et al.	D497,680 S	10/2004	McMinn
6,267,584 B1	7/2001	Zou	6,802,707 B2	10/2004	Furner
6,270,339 B1	8/2001	Zou	6,808,388 B2	10/2004	Lee
6,273,710 B1	8/2001	Zou	D497,986 S	11/2004	Morillas
6,276,925 B1	8/2001	Varga	D498,525 S	11/2004	Harbutt et al.
D447,418 S	9/2001	Bezek et al.	6,849,240 B2	2/2005	Nakatsu et al.
6,290,489 B1	9/2001	Seidler	D508,291 S	8/2005	Janssen
D448,867 S	10/2001	Manocheo et al.	6,923,639 B2	8/2005	Pesu et al.
6,296,477 B1	10/2001	Lin	D510,032 S	9/2005	Ames
6,299,435 B1	10/2001	Freeman et al.	D518,159 S	3/2006	Chen
D450,395 S	11/2001	Bellenger	D523,693 S *	6/2006	Bodum D7/523
D450,865 S	11/2001	Bellenger et al.	D527,120 S	8/2006	Konkle, Jr.
6,361,311 B1	3/2002	Smith	D531,082 S	10/2006	Belokin
D455,486 S	4/2002	Makino	D533,952 S *	12/2006	Adams et al. D26/9
D455,846 S	4/2002	Araujo	D537,753 S	3/2007	Belokin
D456,536 S	4/2002	Araujo	D543,784 S	6/2007	Assez
D456,539 S	4/2002	Leeds	D544,613 S	6/2007	Timmann et al.
6,371,756 B1	4/2002	Toohey	7,318,724 B2 *	1/2008	Kubicek et al. 431/289
D459,498 S	6/2002	Araujo	2001/0031438 A1	10/2001	Hannington et al.
6,398,544 B2	6/2002	Wright et al.	2002/0066789 A1	6/2002	Yen
D461,916 S	8/2002	Araujo	2002/0068009 A1	6/2002	Laudamiel-Pellet
D462,132 S	8/2002	Papai	2002/0068010 A1	6/2002	Laudamiel-Pellet
6,428,311 B1	8/2002	Bernardo	2002/0093834 A1	7/2002	Yu
6,439,471 B2	8/2002	Ehrlich et al.	2002/0102187 A1	8/2002	Bellenger et al.
D462,793 S	9/2002	Freeman et al.	2002/0119413 A1	8/2002	Cheng
6,450,802 B1	9/2002	Steck	2002/0127507 A1	9/2002	Long
6,454,561 B1	9/2002	Colthar et al.	2003/0064336 A1	4/2003	Welch
D464,745 S	10/2002	Mangini et al.	2003/0134246 A1	7/2003	Gray et al.
6,468,071 B2	10/2002	Zou	2003/0162142 A1	8/2003	Bennetts et al.
D465,587 S	11/2002	Papai	2003/0175148 A1	9/2003	Kvietok
D466,236 S	11/2002	Papai	2004/0007787 A1	1/2004	Kvietok
6,488,494 B2	12/2002	Lee	2004/0009103 A1	1/2004	Westring
6,491,516 B1	12/2002	Tal et al.	2004/0009447 A1	1/2004	Decker
D469,550 S	1/2003	Moeller	2004/0016818 A1	1/2004	Murdell
D469,893 S	2/2003	Shen	2004/0028551 A1	2/2004	Kvietok
6,520,770 B2	2/2003	Zou	2004/0029061 A1	2/2004	Dibnah et al.
D471,299 S	3/2003	Papai	2004/0033171 A1	2/2004	Kvietok
6,531,063 B1	3/2003	Rose	2004/0033463 A1	2/2004	Pesu et al.
6,537,063 B1	3/2003	Pecoskie	2004/0128879 A1	7/2004	Lu
6,543,268 B2	4/2003	Wright et al.	2004/0160764 A1	8/2004	Lee
6,544,302 B2	4/2003	Berger et al.	2004/0223871 A1	11/2004	Woo
6,551,365 B2	4/2003	Berger et al.	2004/0223943 A1	11/2004	Woo
6,554,448 B2	4/2003	Carpenter et al.	2004/0229180 A1	11/2004	Furner
D474,854 S	5/2003	Lam	2004/0241053 A1	12/2004	Thompson
6,568,934 B1	5/2003	Butler	2004/0265164 A1	12/2004	Woo
6,575,613 B2	6/2003	Brown et al.	2005/0019238 A1	1/2005	Hart et al.
6,579,089 B1	6/2003	Iu	2005/0037306 A1	2/2005	Nakatsu
D477,065 S	7/2003	Lonczak et al.	2005/0079463 A1	4/2005	Yu
6,585,510 B2	7/2003	Papai	2005/0227190 A1	10/2005	Pappas
6,589,047 B1	7/2003	Papai	2007/0020573 A1 *	1/2007	Furner et al. 431/289
6,592,637 B2	7/2003	McGee et al.			
6,595,771 B2	7/2003	Chu			
D478,180 S	8/2003	Boss			
6,616,308 B2	9/2003	Jensen et al.			
D481,143 S	10/2003	McMinn			
D481,473 S	10/2003	Walsh			
6,630,110 B2	10/2003	Urfig			
6,648,631 B2	11/2003	Wright et al.			
D485,341 S	1/2004	Wu			
D485,624 S	1/2004	Kitamura			
6,688,880 B1	2/2004	Pangle			

FOREIGN PATENT DOCUMENTS

DE	4203644	8/1993
DE	4241292	5/1994
DE	4314122	11/1994
DE	44 25 179	1/1996
DE	195 48 958	5/1996
DE	195 08 962	9/1996
EP	0146247	6/1985
EP	1054054	11/2000

US D576,750 S

Page 4

FR	2628825	9/1989
GB	1514338	6/1978
GB	2 239 942	7/1991
JP	362220594	9/1987
JP	406212189	8/1994
JP	408185710	7/1996
JP	2003-213292	7/2003
WO	WO 89/06141	7/1989
WO	WO 95/12783	5/1995
WO	WO 96/02794	2/1996
WO	WO 99/17055	4/1999
WO	WO 99/45322	9/1999
WO	WO 04/008026	1/2004
WO	WO 04/083349	9/2004
WO	WO 04/083718	9/2004
WO	WO 2004/083349	9/2004

WO WO 04/090417 10/2004

OTHER PUBLICATIONS

Pourette Catalog 1998; p. 12.

Prices London Candlemakers; <http://www.prices-candles.co.uk/mainpage.htm>; 1 page, printed Apr. 21, 2005.

Prices London Candlemakers; <http://www.prices-candles.co.uk/catalogue/Accessories/Accessories%20Page%2008.jpg>; 1 page; printed Apr. 21, 2005.

Two (2) photos of Price's "Coral Bay Fragranced Bathroom" product taken Jan. 1, 1999.

Stephanie Reiser Wrought Iron—"Welcome to CourtingCandle.com?" <http://www.courtingcandle.com/>; 1 page printed on May 12, 2004.

* cited by examiner

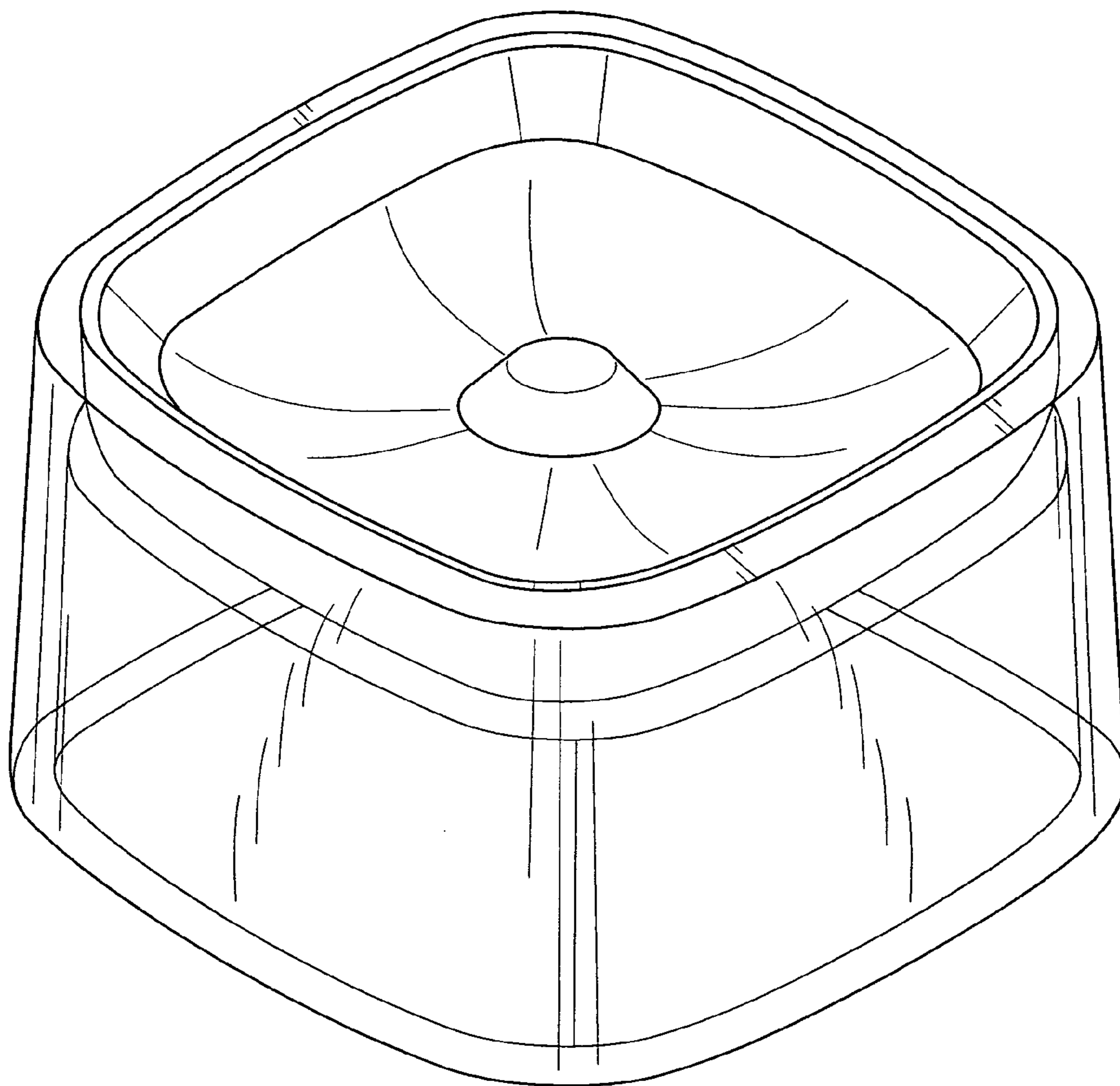


FIG. 1

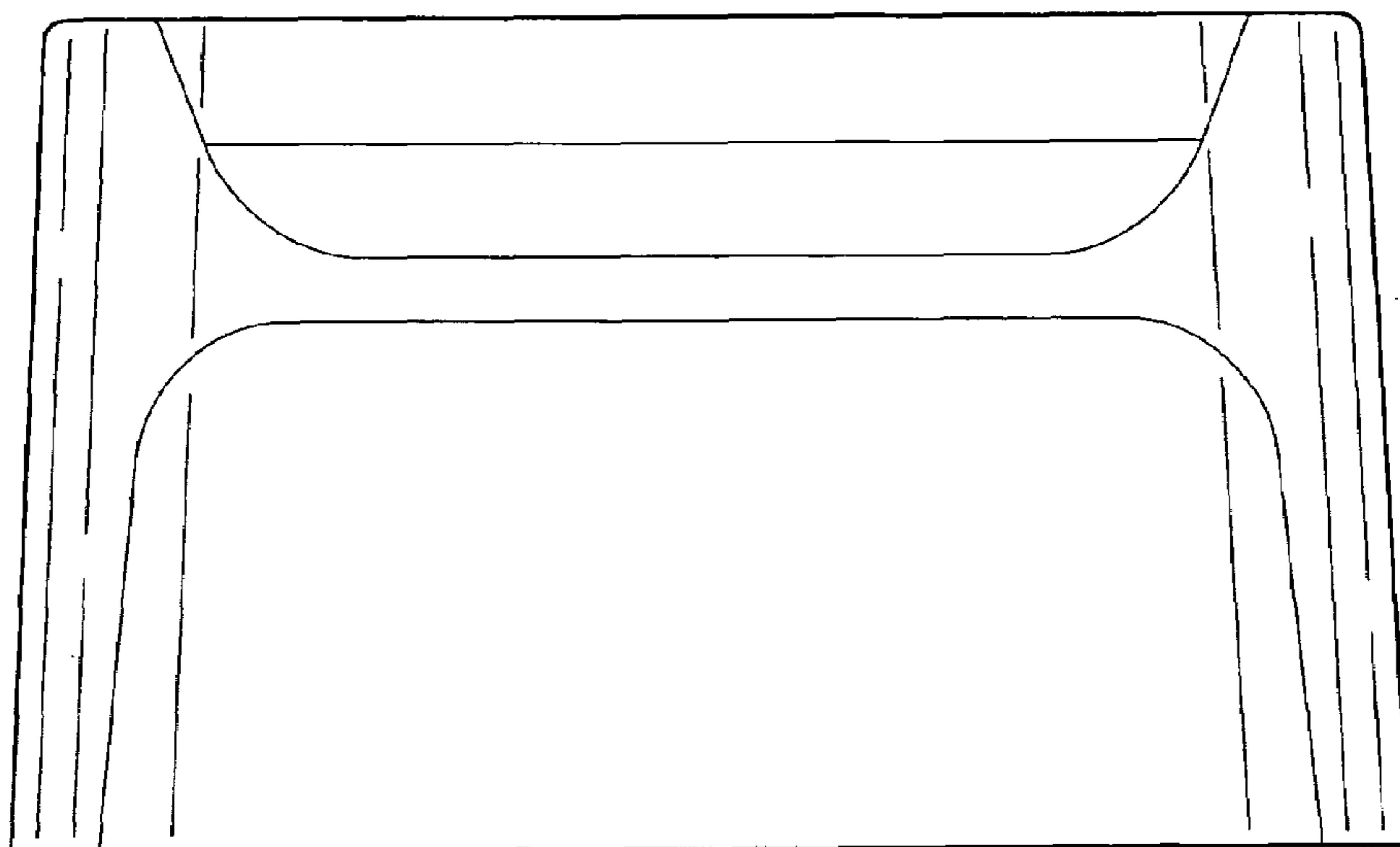


FIG. 2

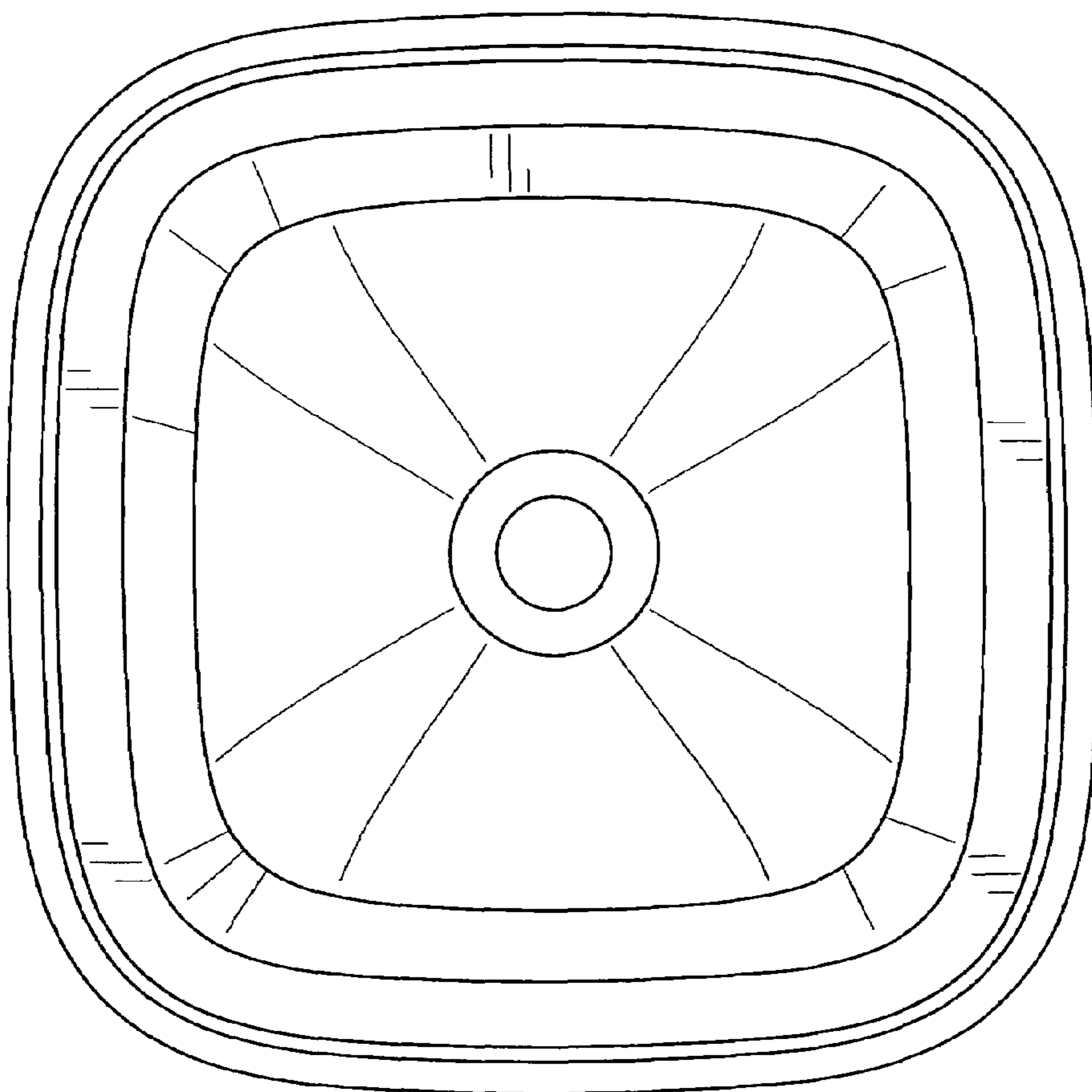


FIG. 3