



US00D576748S

(12) **United States Design Patent**
Schrader

(10) **Patent No.:** **US D576,748 S**

(45) **Date of Patent:** **** Sep. 9, 2008**

(54) **WINDOW COMPONENT EXTRUSION**

(75) Inventor: **Robert A. Schrader**, Puyallup, WA (US)

(73) Assignee: **Mikron Industries, Inc.**, Kent, WA (US)

(**) Term: **14 Years**

(21) Appl. No.: **29/285,203**

(22) Filed: **Mar. 22, 2007**

(51) **LOC (8) Cl.** **25-01**

(52) **U.S. Cl.** **D25/125**

(58) **Field of Classification Search** D25/124,
D25/125; 52/656.6, 204.5, 204.55, 204.61,
52/730.3, 204.51, 204.595, 204.71, 656.2,
52/204.1, 204.2, 204.593; 49/504, DIG. 2
See application file for complete search history.

(56) **References Cited**

U.S. PATENT DOCUMENTS

D285,612 S * 9/1986 Slocomb, Jr. D25/124

D353,472 S 12/1994 Schrader
D369,419 S * 4/1996 Franson D25/125
5,522,196 A * 6/1996 Conroy et al. 52/738.1
5,557,894 A * 9/1996 Card 52/204.595
D379,240 S 5/1997 Jarrell
D470,251 S * 2/2003 Cole D25/125

* cited by examiner

Primary Examiner—Doris Clark

(74) *Attorney, Agent, or Firm*—Black Lowe & Graham PLLC

(57) **CLAIM**

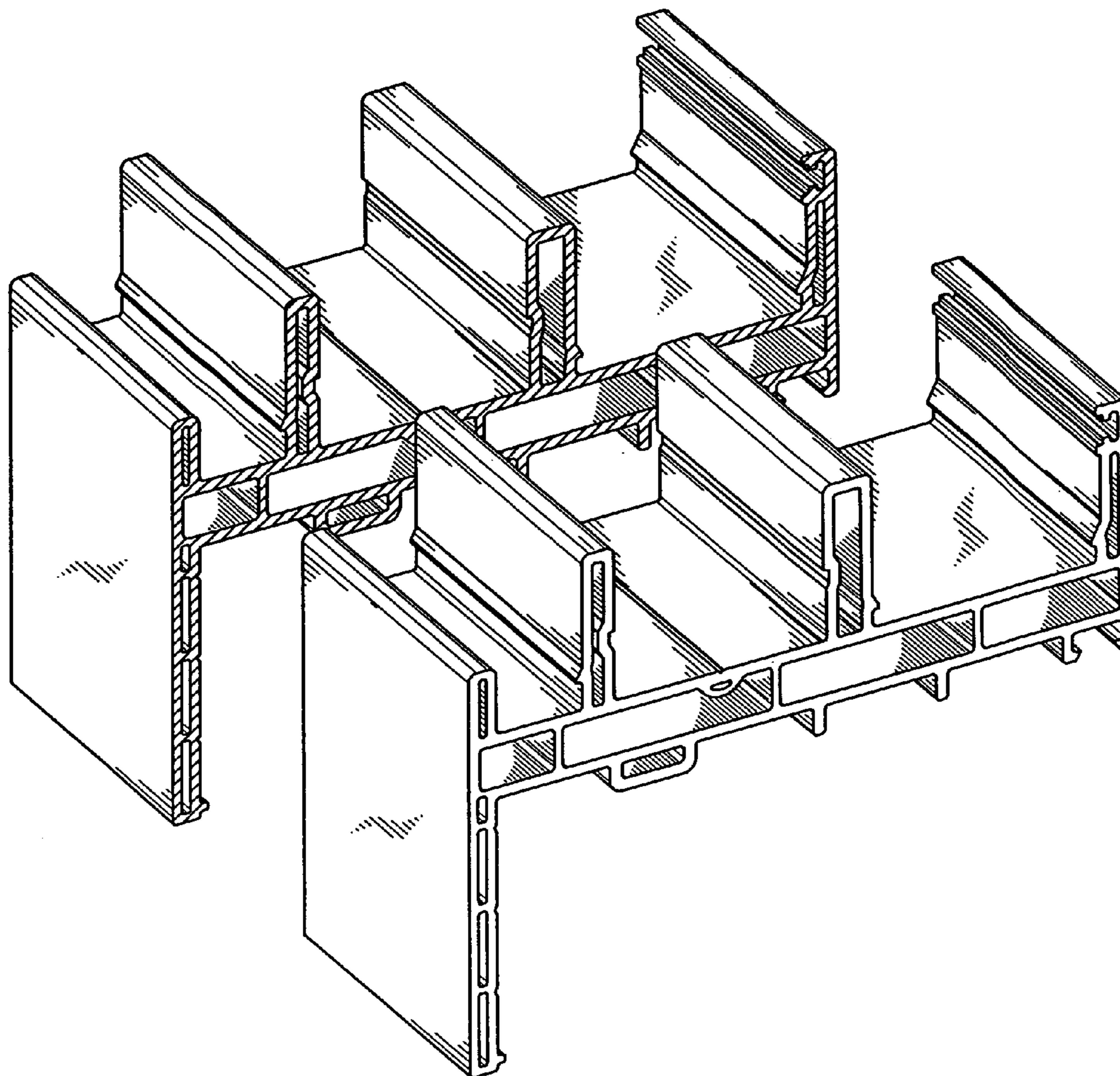
The ornamental design for a window component extrusion, as shown and described.

DESCRIPTION

FIG. 1 is a top left perspective view of a window component extrusion, which is broken in the center indicating indefinite length; and,

FIG. 2 is a bottom plan view thereof.

1 Claim, 2 Drawing Sheets



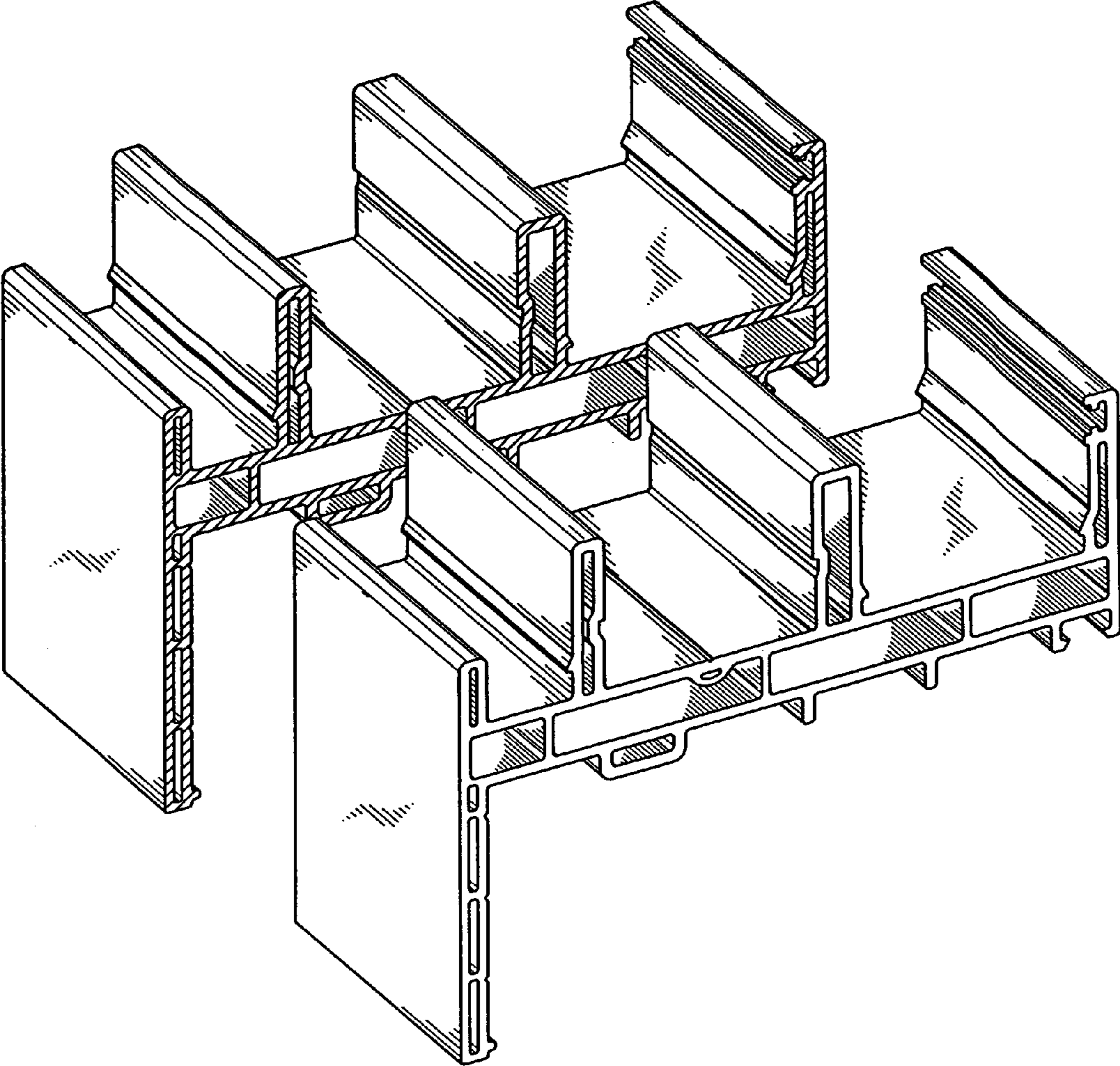


FIGURE 1

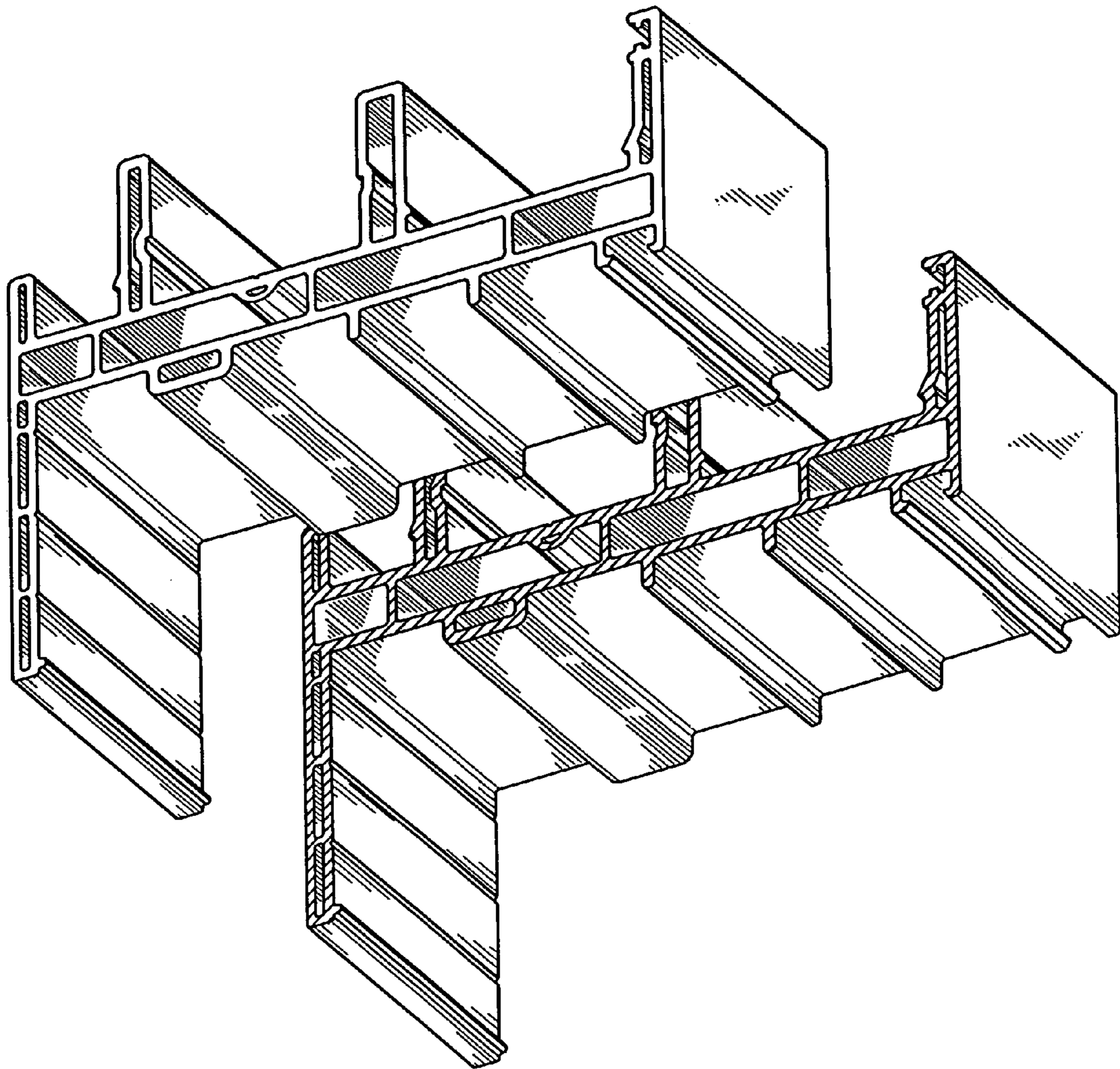


FIGURE 2