

US00D576745S

(12) **United States Design Patent**  
**Fannan**

(10) **Patent No.:** **US D576,745 S**  
(45) **Date of Patent:** **\*\* Sep. 9, 2008**

(54) **WINDOW COMPONENT EXTRUSION**

D499,191 S 11/2004 Franson  
D500,561 S 1/2005 Franson

(75) Inventor: **Michael R. Fannan**, Pecatonica, IL (US)

**OTHER PUBLICATIONS**

(73) Assignee: **Mikron Industries, Inc.**, Kent, WA (US)

Mikron Part No. 9397 conceived of on Nov. 19, 2004 by Tim Wickland and first sold on Apr. 27, 2005.

(\*\*) Term: **14 Years**

Mikron Part No. 9166 conceived of on Dec. 5, 2003 by Tim Wickland and first sold on Dec. 9, 2003.

(21) Appl. No.: **29/285,202**

\* cited by examiner

(22) Filed: **Mar. 22, 2007**

*Primary Examiner*—Doris Clark

(51) **LOC (8) Cl.** ..... **25-01**

(74) *Attorney, Agent, or Firm*—Black Lowe & Graham PLLC

(52) **U.S. Cl.** ..... **D25/124**

(57) **CLAIM**

(58) **Field of Classification Search** ..... D25/121,  
D25/122, 124, 125; 52/204.59, 204.1, 204.2,  
52/204.5, 204.51, 656.5, 656.6, 213, 215,  
52/208, 293.3, 204.97, 204.595, 204.71,  
52/730.3, 656.2; 49/209, 501, 504, DIG. 2

The ornamental design for a window component extrusion, as shown and described.

See application file for complete search history.

**DESCRIPTION**

(56) **References Cited**

FIG. 1 is a top left perspective view of a window component extrusion showing my new design, which is broken in the center indicating indefinite length.

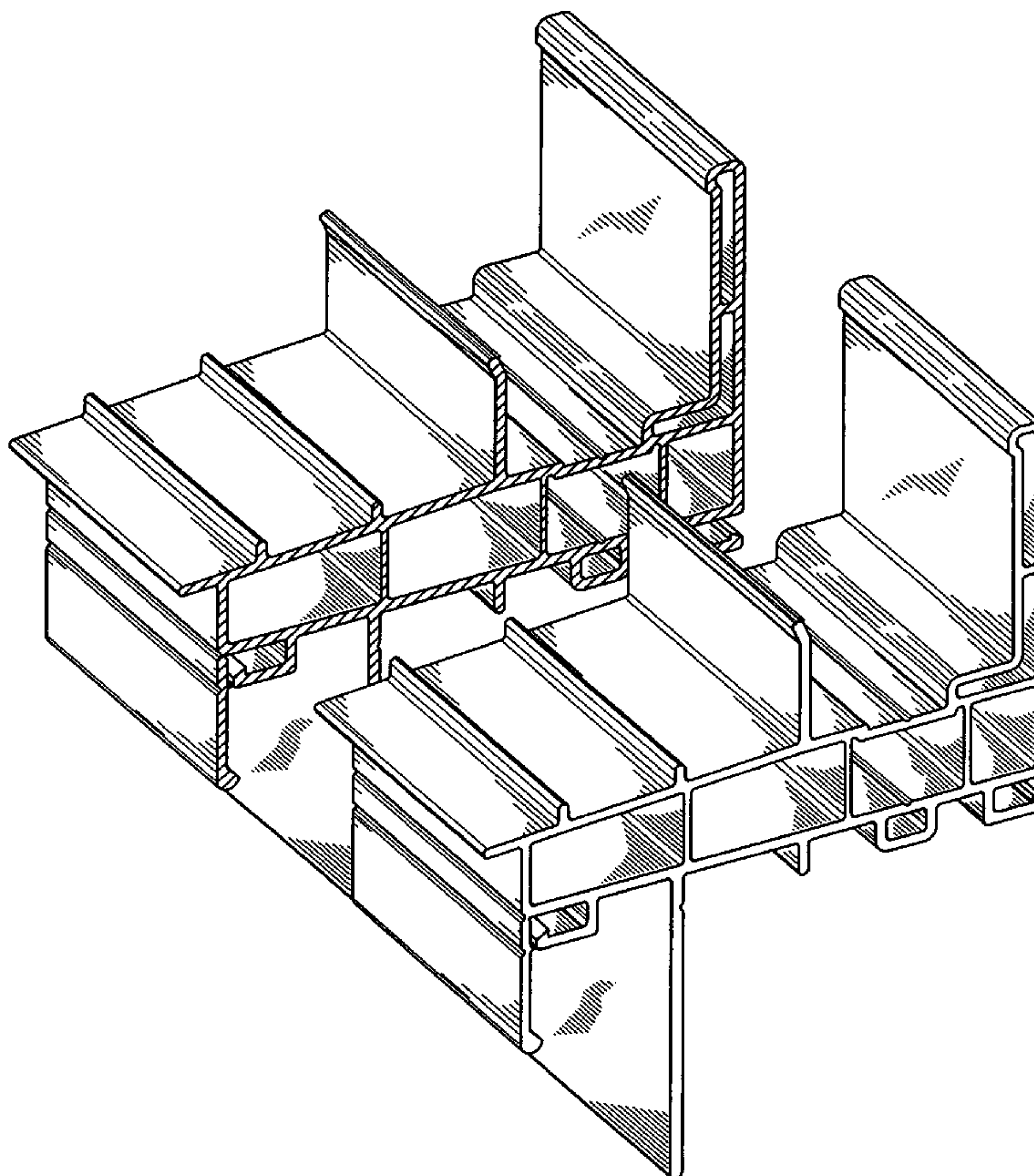
**U.S. PATENT DOCUMENTS**

FIG. 2 is a bottom right perspective view thereof.

|                |         |                |          |
|----------------|---------|----------------|----------|
| D364,691 S     | 11/1995 | Goss, Jr.      |          |
| 5,687,518 A *  | 11/1997 | Endo et al.    | 52/204.1 |
| 5,687,519 A *  | 11/1997 | Bruchu         | 52/213   |
| 6,055,782 A *  | 5/2000  | Morton et al.  | 52/204.1 |
| D436,673 S *   | 1/2001  | Hauberg et al. | D25/124  |
| 6,182,405 B1 * | 2/2001  | Lindahl        | 52/204.1 |
| D443,702 S *   | 6/2001  | Ballard et al. | D25/124  |

FIG. 3 is a top left perspective view of a second embodiment of a window component extrusion showing my new design, which is broken in the center indicating indefinite length; and, FIG. 4 is a bottom right perspective view thereof.

**1 Claim, 4 Drawing Sheets**



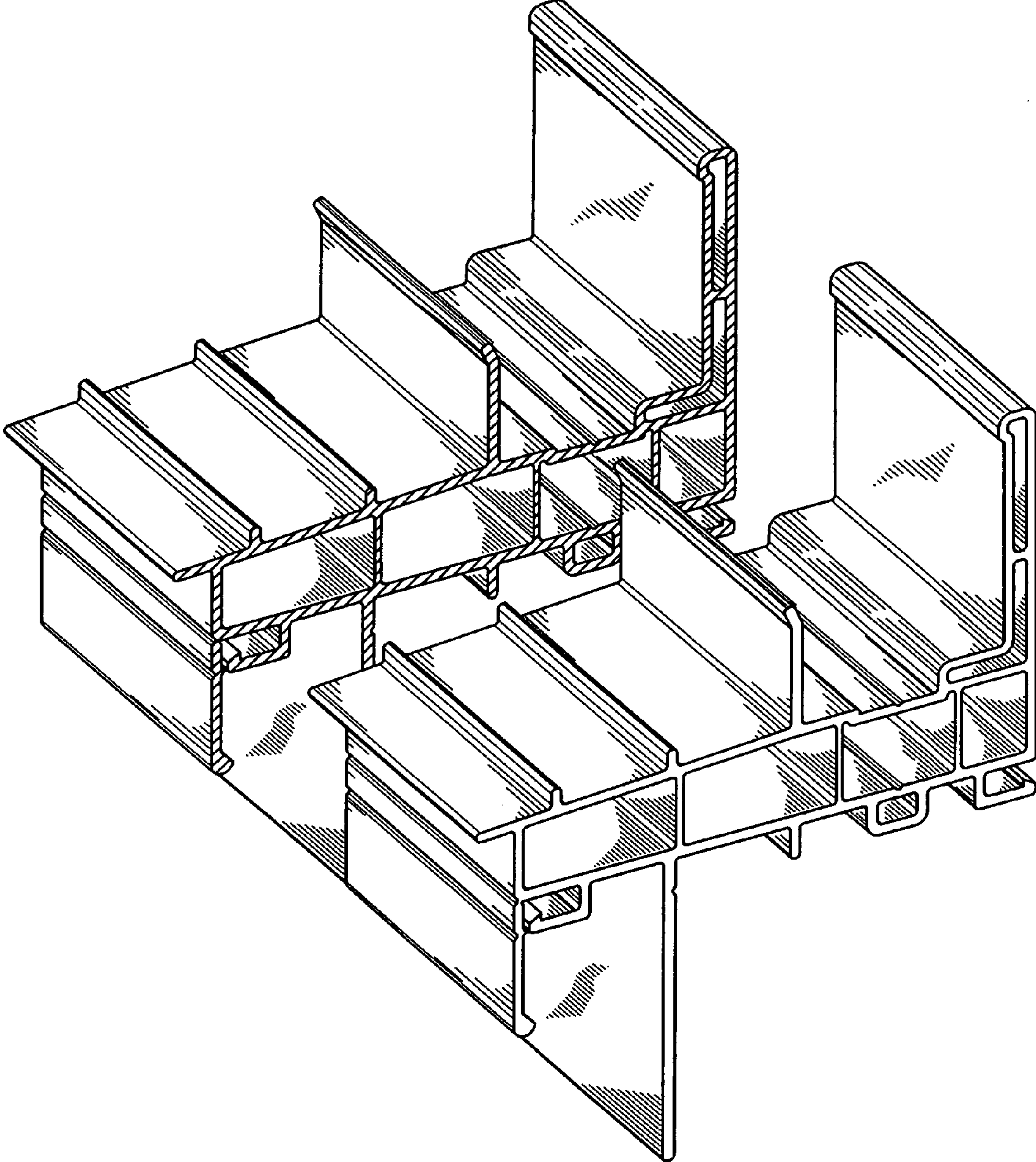


FIG.1



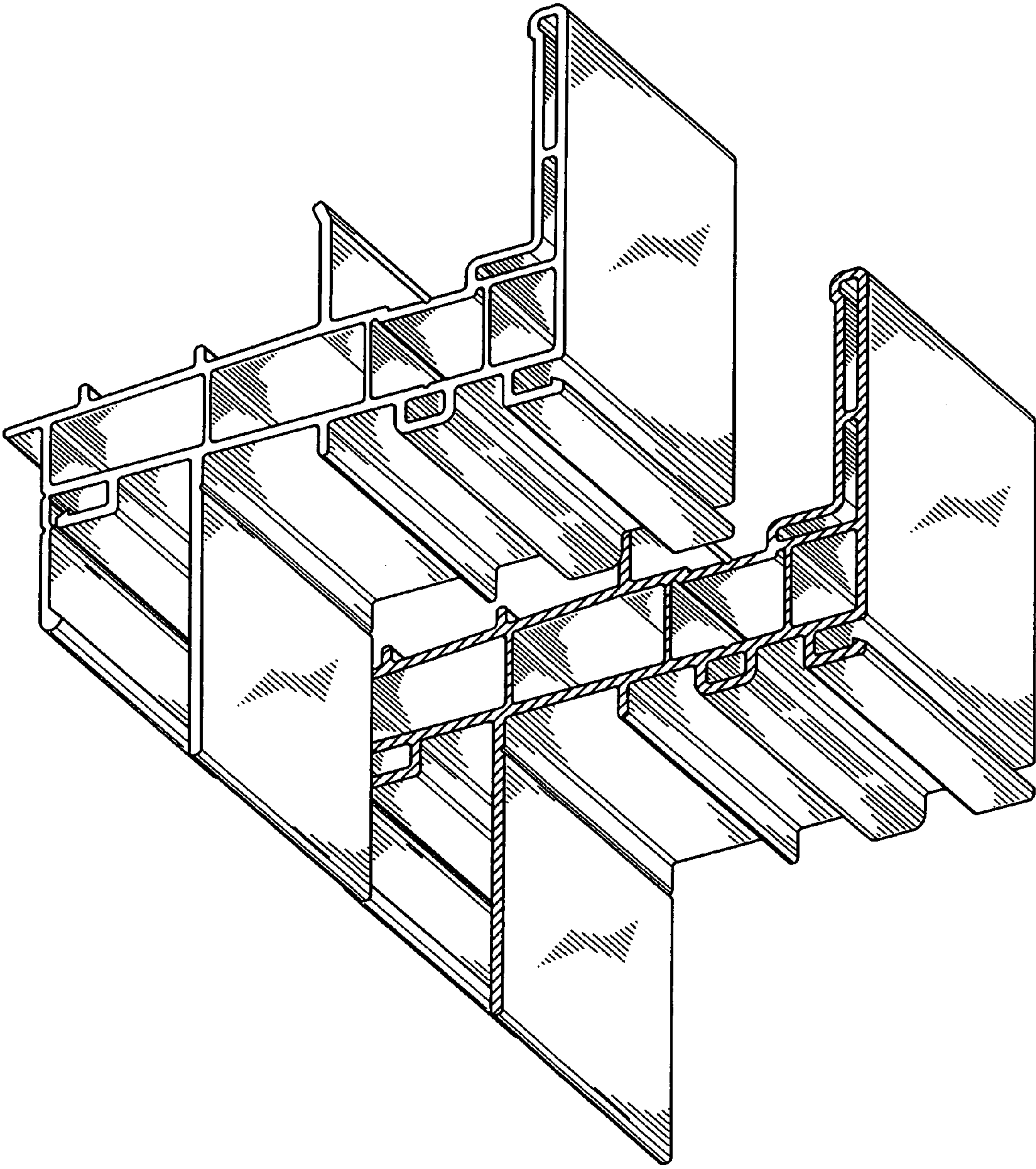


FIG.2

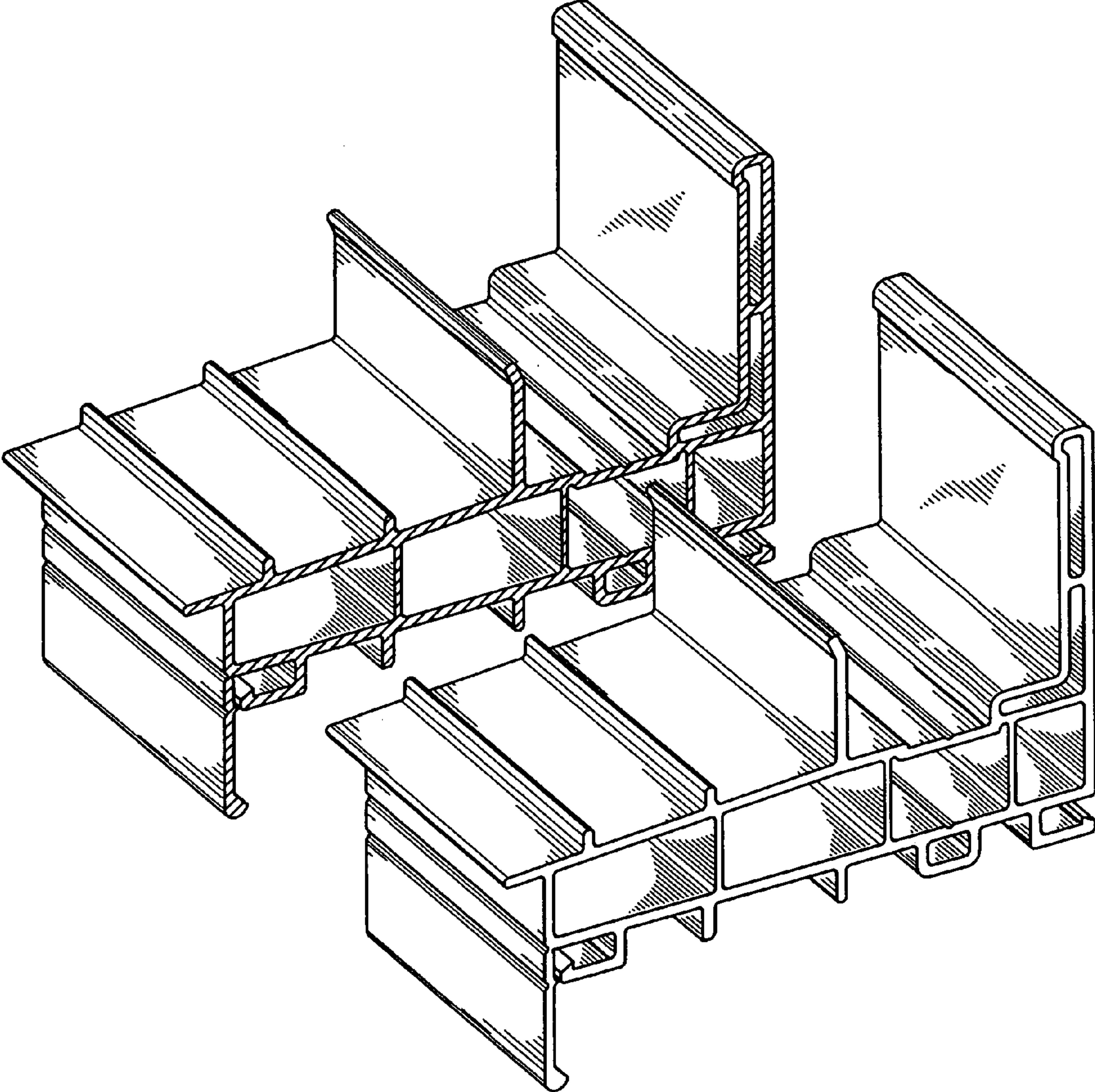


FIG.3



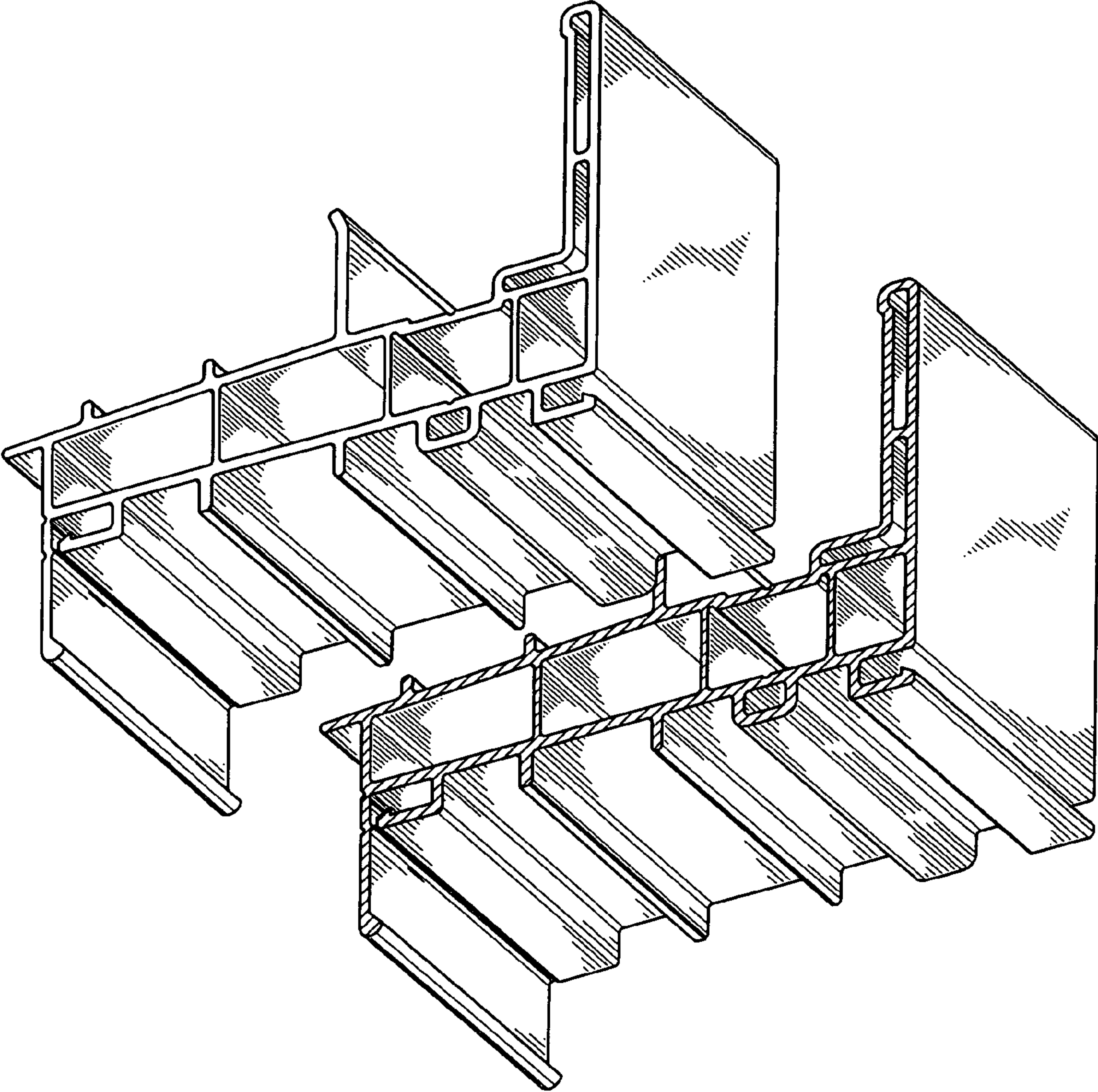


FIG. 4