



US00D576744S

(12) **United States Design Patent**  
**Wyse**

(10) **Patent No.:** **US D576,744 S**  
(45) **Date of Patent:** **\*\* Sep. 9, 2008**

(54) **SCAFFOLD FRAME SECTION WITH INTEGRAL GUARDRAIL POST**

(76) Inventor: **Steven J. Wyse**, 595 E. Lugbill Rd., Archbold, OH (US) 43502

(\*\*) Term: **14 Years**

(21) Appl. No.: **29/282,748**

(22) Filed: **Jul. 27, 2007**

**Related U.S. Application Data**

(62) Division of application No. 29/237,566, filed on Sep. 1, 2005, now Pat. No. Des. 561,351.

(51) **LOC (8) Cl.** ..... **25-04**

(52) **U.S. Cl.** ..... **D25/66**

(58) **Field of Classification Search** ..... D26/66;  
182/27, 115, 118, 130, 179.1, 113, 187, 651.1  
See application file for complete search history.

(56) **References Cited**

**U.S. PATENT DOCUMENTS**

3,221,837	A	12/1965	Fisher	
3,684,058	A	8/1972	Brown	
3,865,203	A	2/1975	Hibma	
5,810,114	A	9/1998	White	
D403,783	S *	1/1999	Takai	D25/66
6,732,836	B2 *	5/2004	Ono	182/113
D495,426	S *	8/2004	Yamaoka	D25/66
2004/0206576	A1 *	10/2004	So	182/179.1

**OTHER PUBLICATIONS**

Office Action dated May 14, 2008 from U.S. Appl. No. 11/162,223; Filed Sep. 1, 2005; Applicant Steven J. Wyse.

Office Action dated Dec. 17, 2007 from Canadian Application No. 2,531,461; Filed Dec. 22, 2005; Applicant Steven J. Wyse.

Notice of Allowance dated Mar. 11, 2008 from U.S. Appl. No. 29/282,746; Filed Jul. 27, 2007; Applicant Steven J. Wyse.

\* cited by examiner

*Primary Examiner*—Doris Clark

(74) *Attorney, Agent, or Firm*—Hovey Williams LLP

(57) **CLAIM**

The ornamental design for a scaffold frame section with integral guardrail post, as shown and described.

**DESCRIPTION**

FIG. 1 is a perspective view of a scaffold frame section with integral guardrail post embodying my design, with the frame locks, fasteners, insert pins, and accessory attachment holes being shown in broken lines for illustrative purposes only and forming no part of the claimed design;

FIG. 2 is a front elevation view of the scaffold frame section depicted in FIG. 1, with the rear elevation view being a mirror image thereof;

FIG. 3 is top plan view of the scaffold frame section depicted in FIGS. 1 and 2;

FIG. 4 is a bottom plan view of the scaffold frame section depicted in FIGS. 1–3;

FIG. 5 is a side elevation view of the scaffold frame section depicted in FIGS. 1–4, with the opposite side elevation view being a mirror image thereof;

FIG. 6 is a perspective view of a second embodiment of a scaffold frame section with integral guardrail post embodying my design, with the angular braces, frame locks, fasteners, insert pins, and accessory attachment holes being shown in broken lines for illustrative purposes only and forming no part of the claimed design;

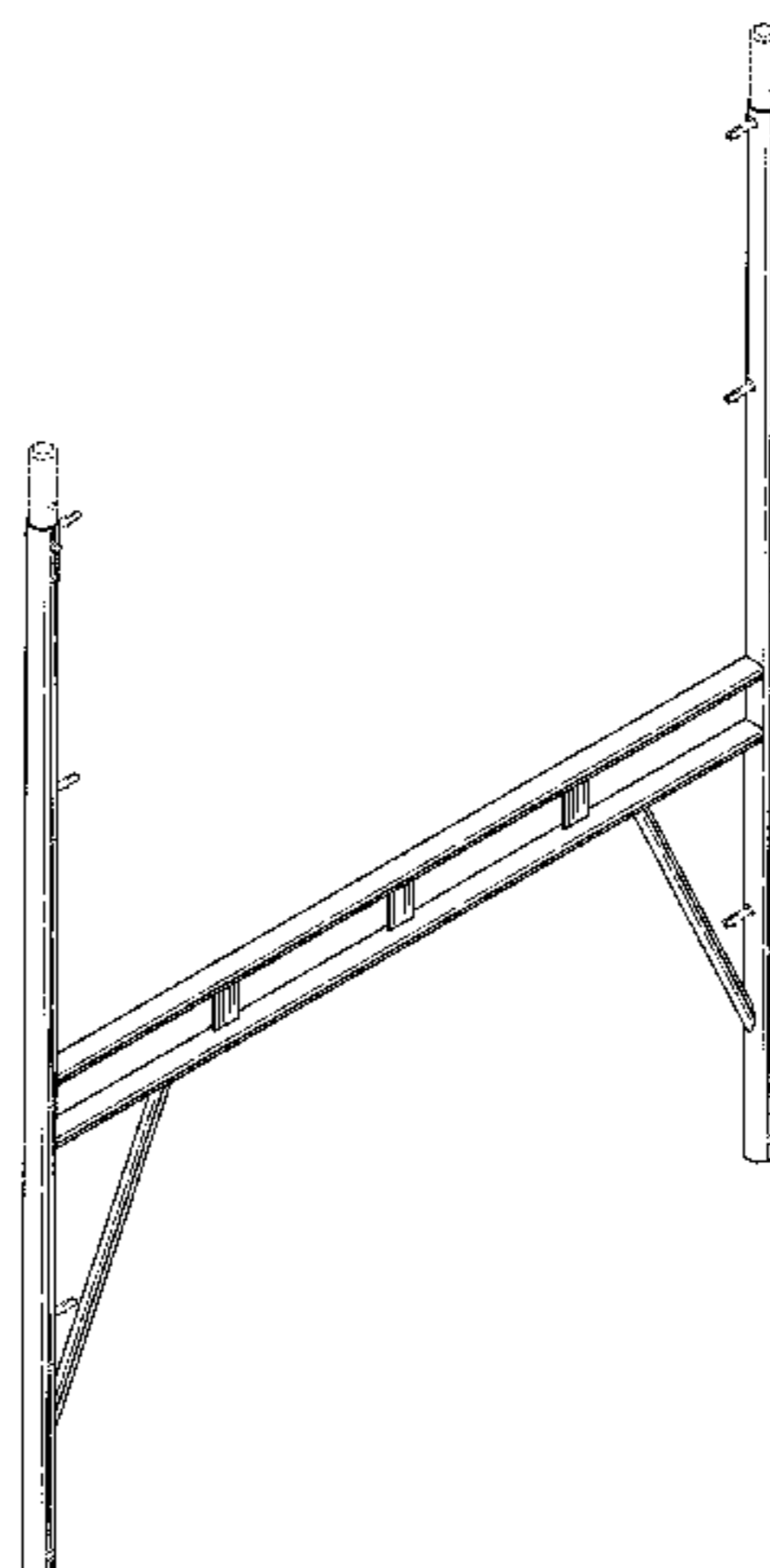
FIG. 7 is a front elevation view of the scaffold frame section depicted in FIG. 6, with the rear elevation view being a mirror image thereof;

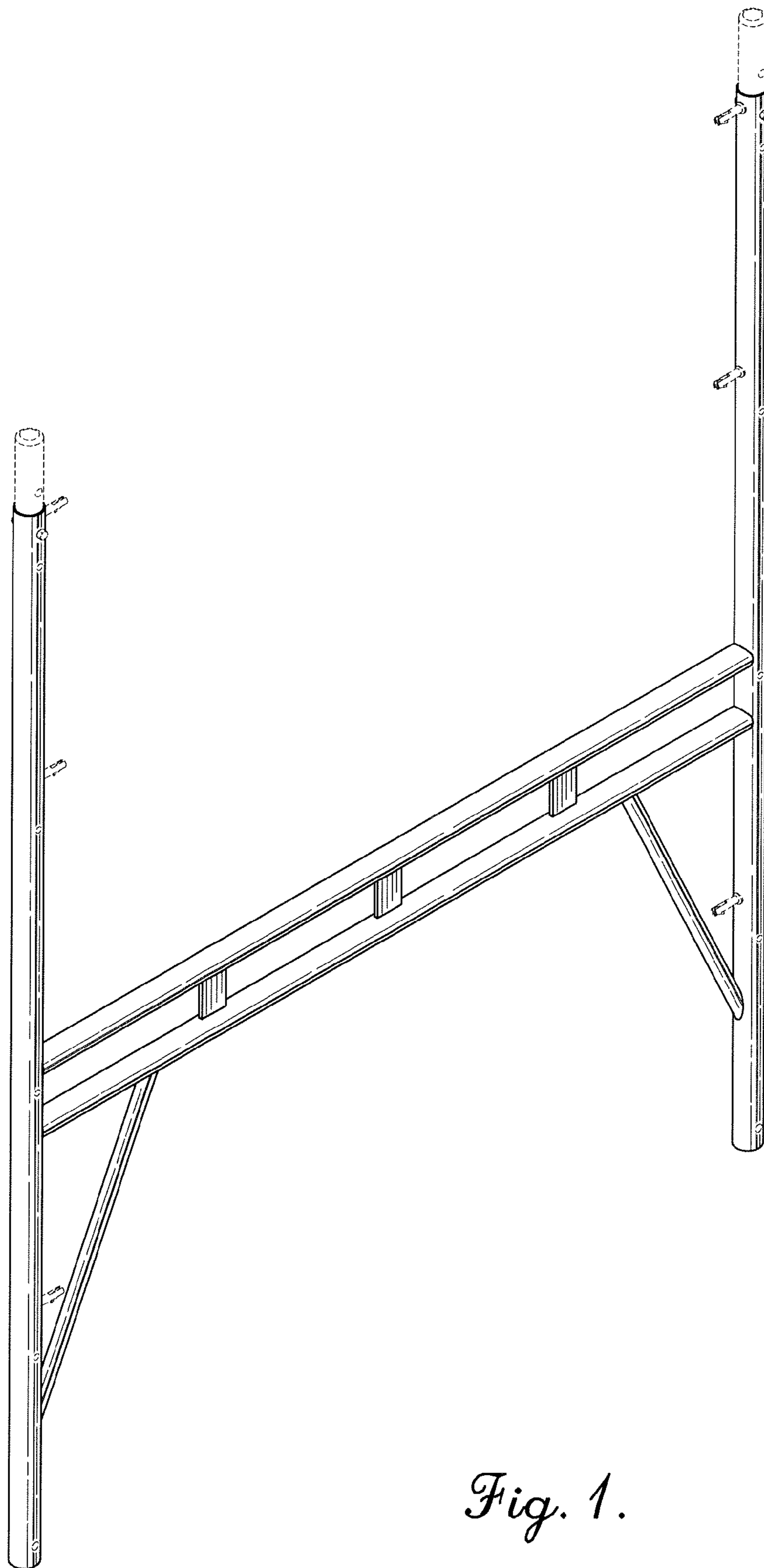
FIG. 8 is top plan view of the scaffold frame section depicted in FIGS. 6 and 7;

FIG. 9 is a bottom plan view of the scaffold frame section depicted in FIGS. 6–8; and,

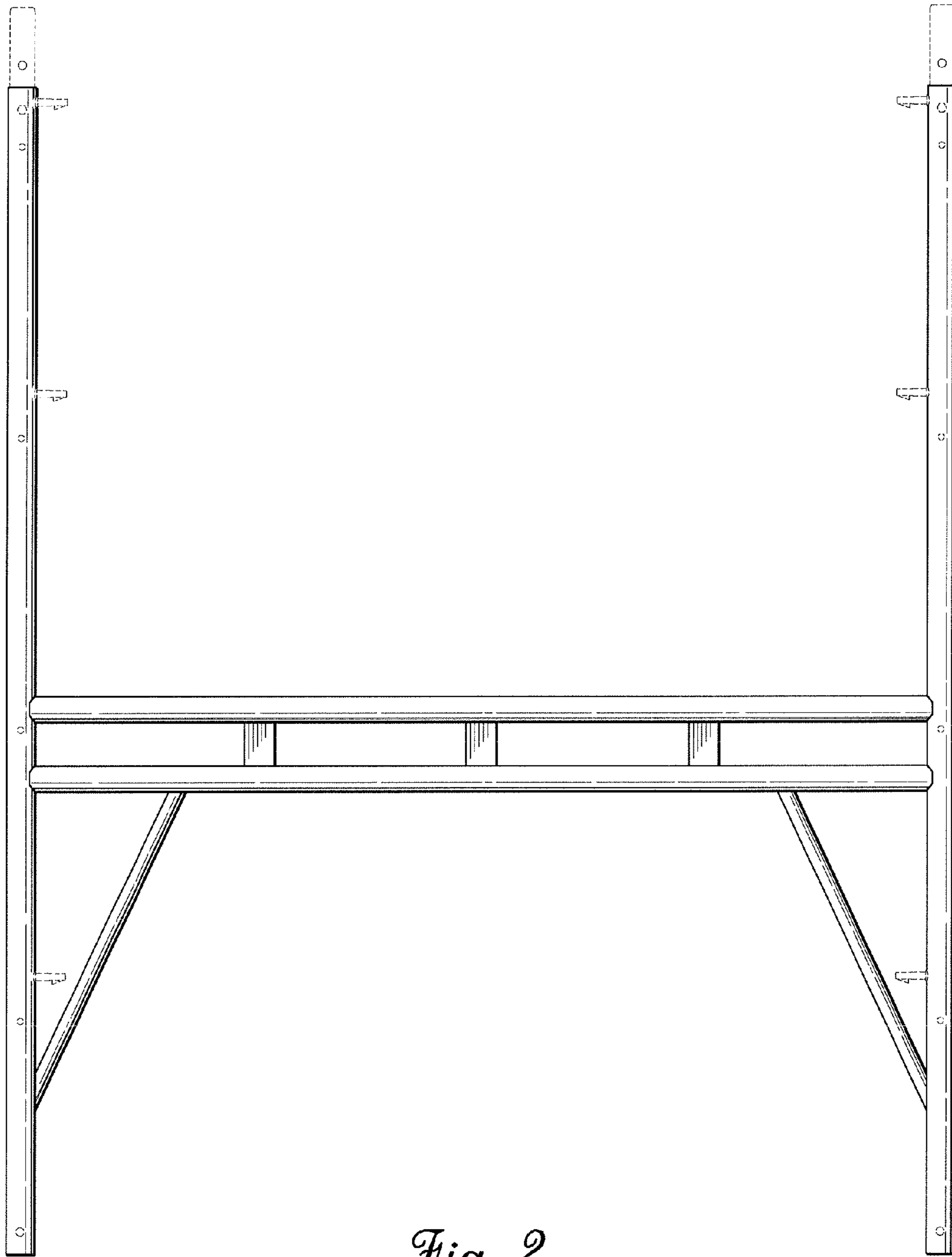
FIG. 10 is a side elevation view of the scaffold frame section depicted in FIGS. 6–9, with the opposite side elevation view being a mirror image thereof.

**1 Claim, 6 Drawing Sheets**

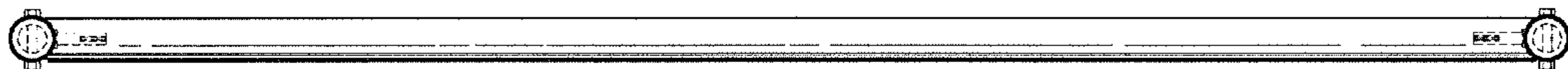




*Fig. 1.*



*Fig. 2.*



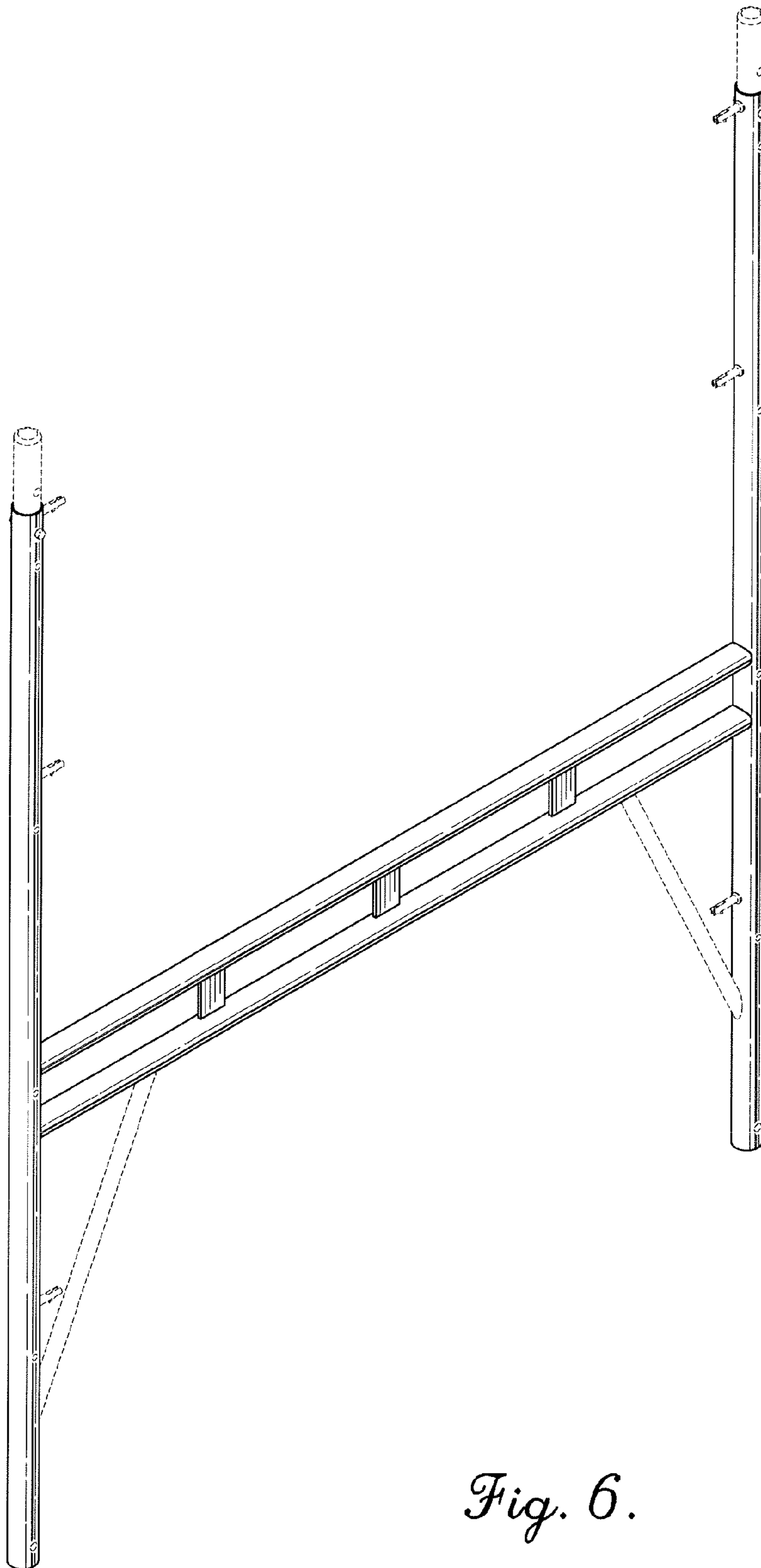
*Fig. 3.*



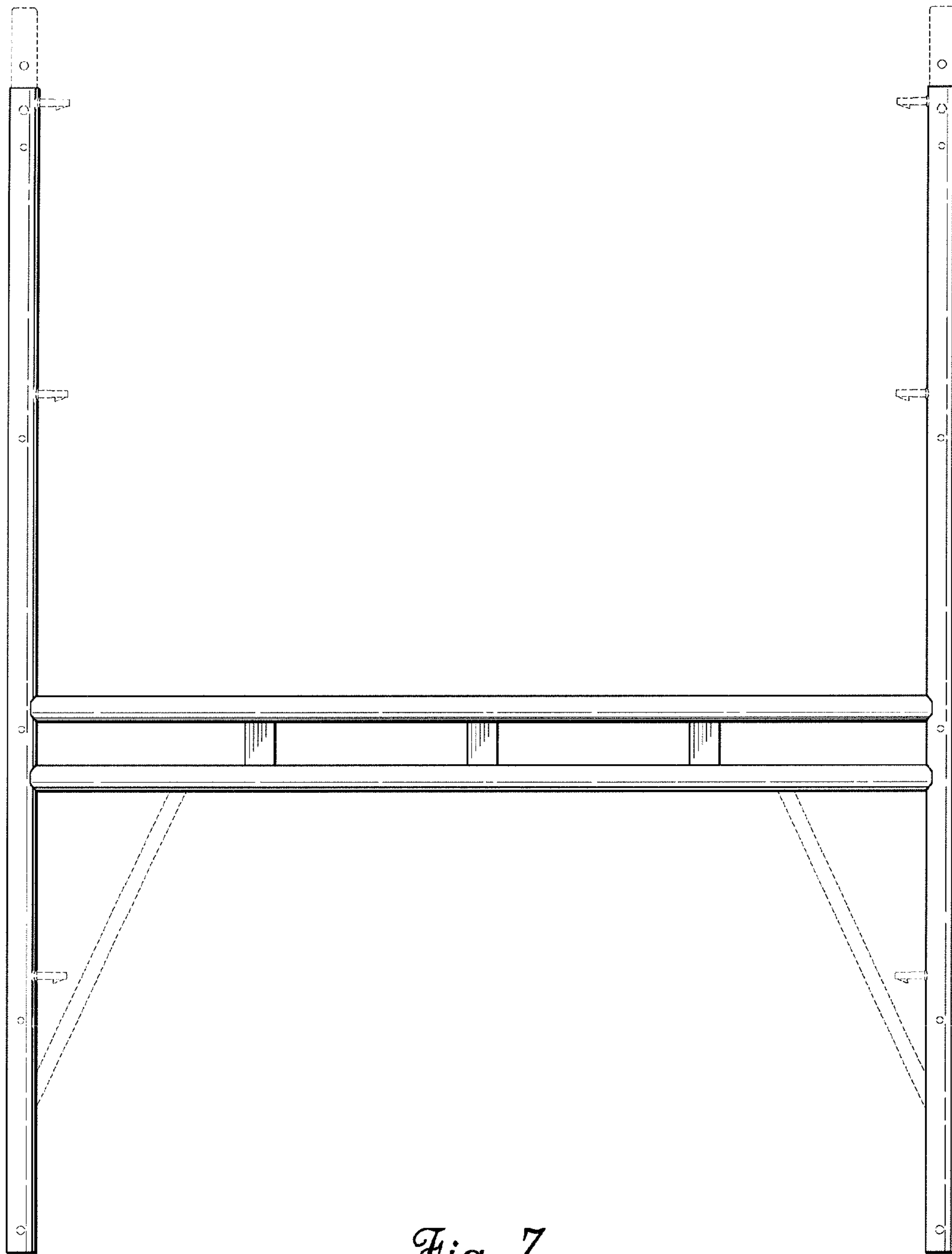
*Fig. 4.*



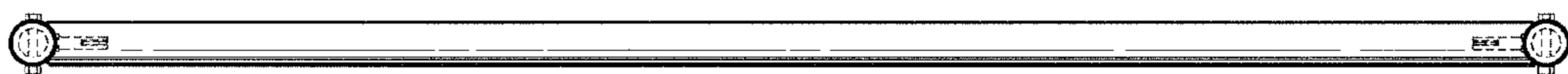
*Fig. 5.*



*Fig. 6.*



*Fig. 7.*



*Fig. 8.*



*Fig. 9.*



*Fig. 10.*