



US00D576742S

(12) **United States Design Patent**
Daniel et al.

(10) **Patent No.:** **US D576,742 S**
(45) **Date of Patent:** **** Sep. 9, 2008**

(54) **WINDOW CASEMENT**

(75) Inventors: **Peter Daniel**, Shipston-On-Stour (GB);
Paul Herbert, Chipping Norton (GB);
Peter King, Lechlade (GB); **Tim Muller**, Oxford (GB)

(73) Assignee: **The Metal Window Co., Ltd.**,
Gloucestershire (GB)

(**) Term: **14 Years**

(21) Appl. No.: **29/295,149**

(22) Filed: **Sep. 21, 2007**

(51) **LOC (8) Cl.** **25-02**

(52) **U.S. Cl.** **D25/52**

(58) **Field of Classification Search** D25/52,
D25/60; 49/381, 139, 140, 504; 160/33,
160/98; 52/204.5

See application file for complete search history.

(56) **References Cited**

U.S. PATENT DOCUMENTS

2,094,990 A * 10/1937 Lang 292/187
3,845,585 A * 11/1974 Cecil 49/139
4,392,330 A * 7/1983 Buhr 49/381
D363,557 S * 10/1995 Lindgren et al. D25/52

D394,714 S * 5/1998 Plummer D25/52
D416,626 S * 11/1999 Møller et al. D25/60
6,260,251 B1 * 7/2001 Guhl 29/416
6,427,415 B1 * 8/2002 Rosenkranz 52/656.5
2003/0079414 A1 * 5/2003 Rangabasyam et al. 49/395

* cited by examiner

Primary Examiner—Doris Clark

(74) *Attorney, Agent, or Firm*—Darby & Darby

(57) **CLAIM**

The ornamental design for a window casement, as shown and described.

DESCRIPTION

FIG. 1 is a front perspective view of a window casement. The broken lines illustrate that the window casement is uniformly continuous to all boundaries.

FIG. 2 is a rear perspective view of FIG. 1;

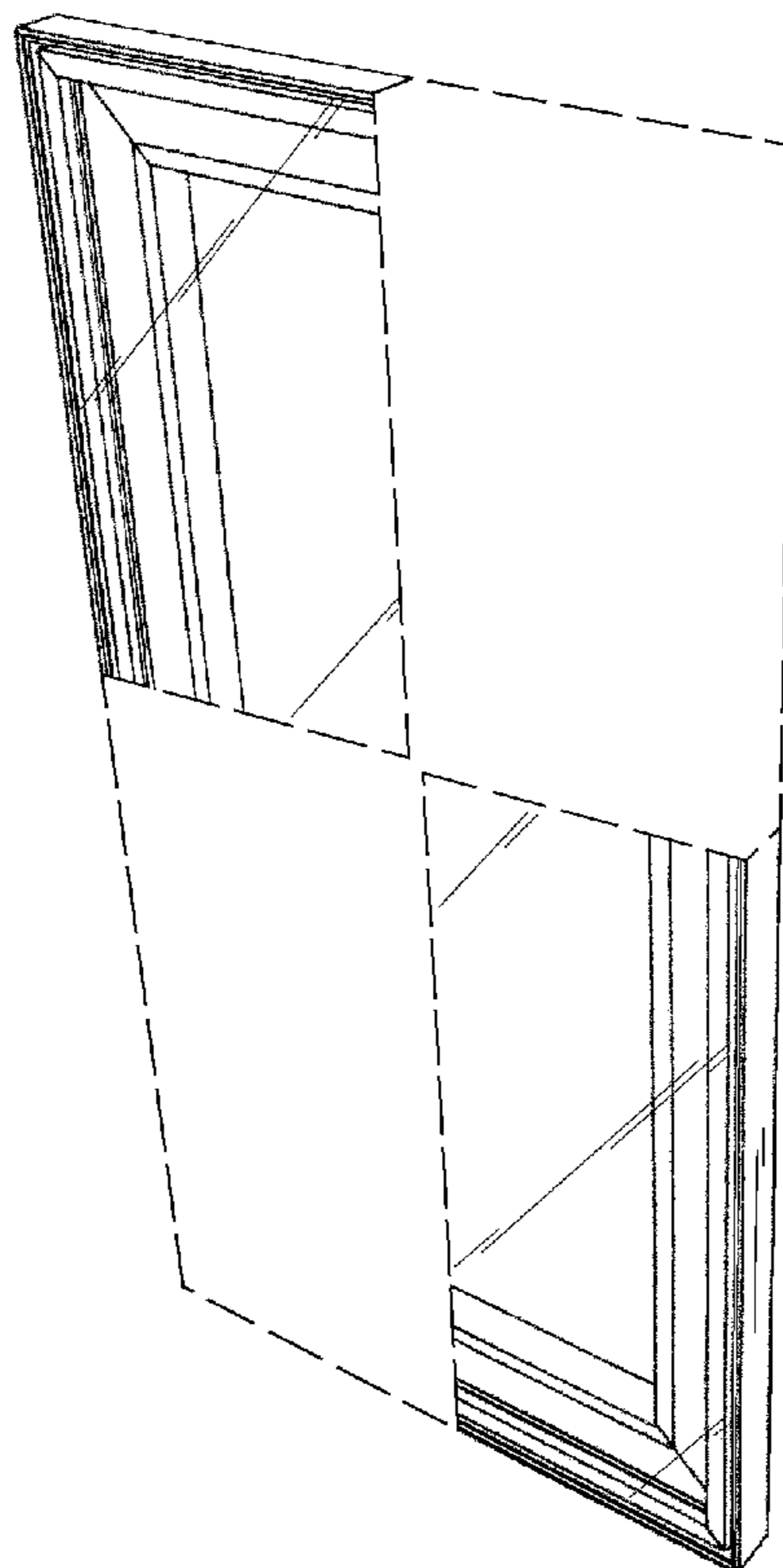
FIG. 3 is a front elevation view of FIG. 1;

FIG. 4 is a right side view of FIG. 1;

FIG. 5 is a top plan view of FIG. 1; and,

FIG. 6 is a sectional view taken along line 6—6 of FIG. 3 showing details of the rear surface of the window casement.

1 Claim, 2 Drawing Sheets



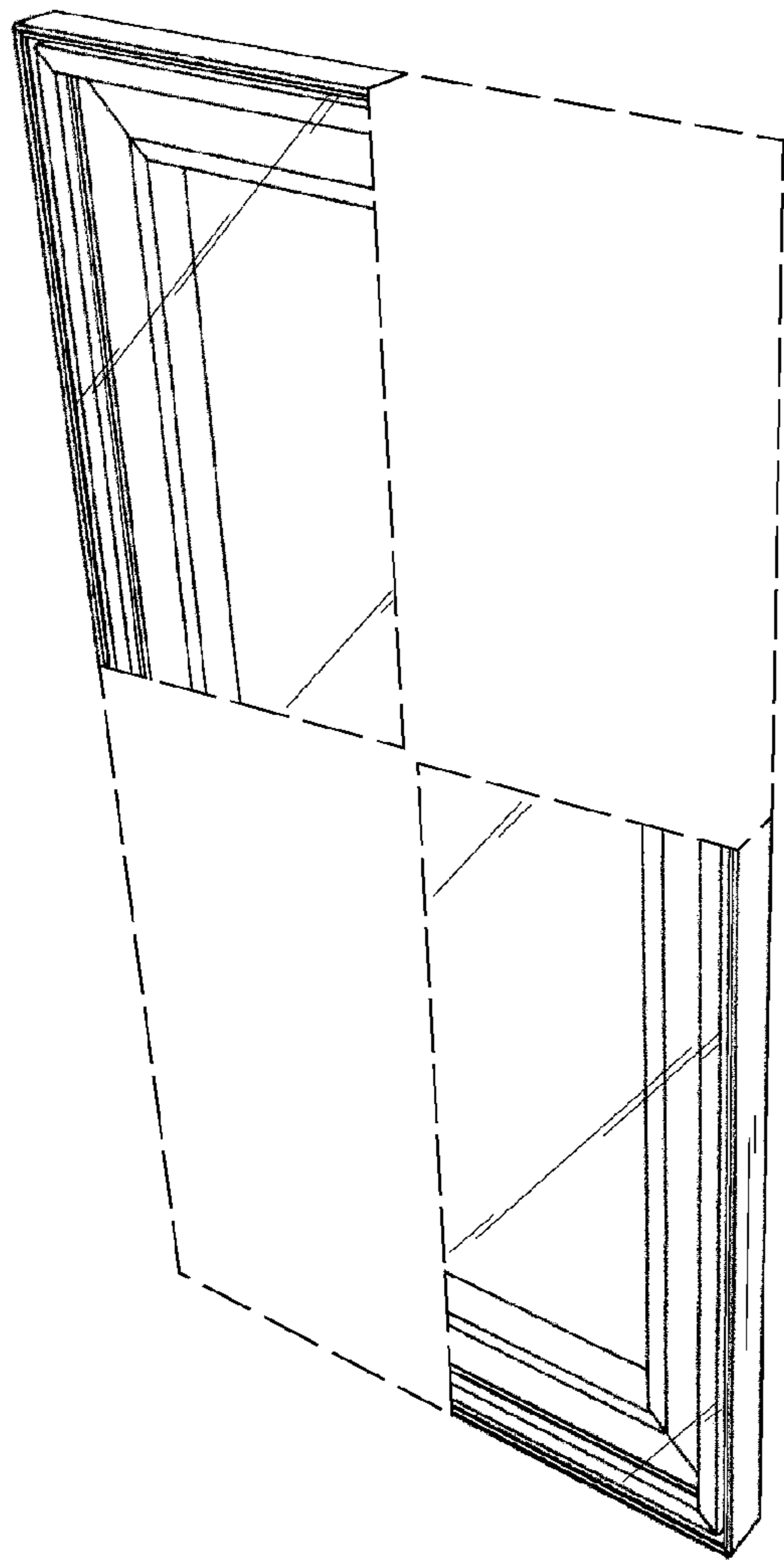


Fig.1.

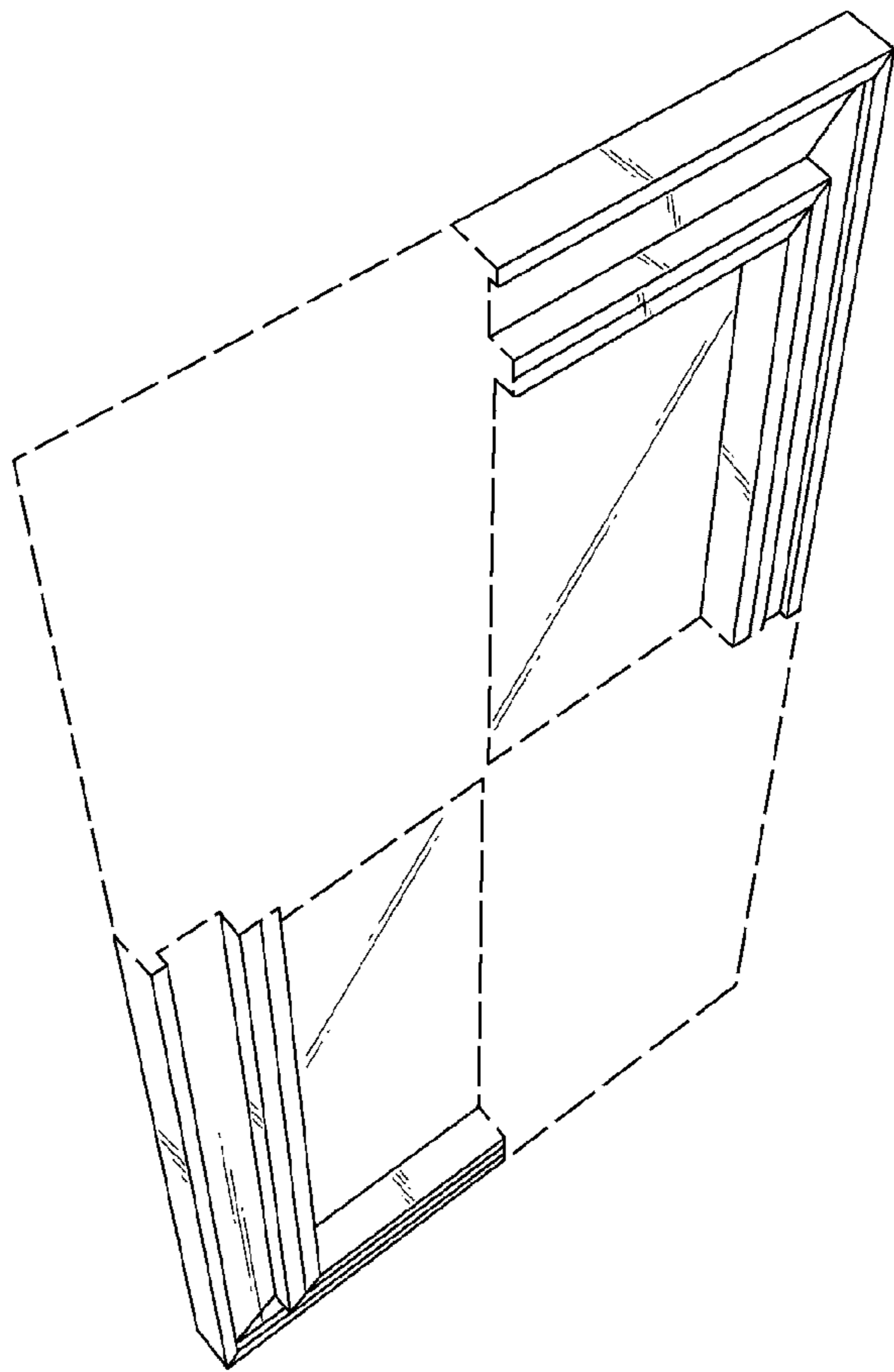


Fig.2.

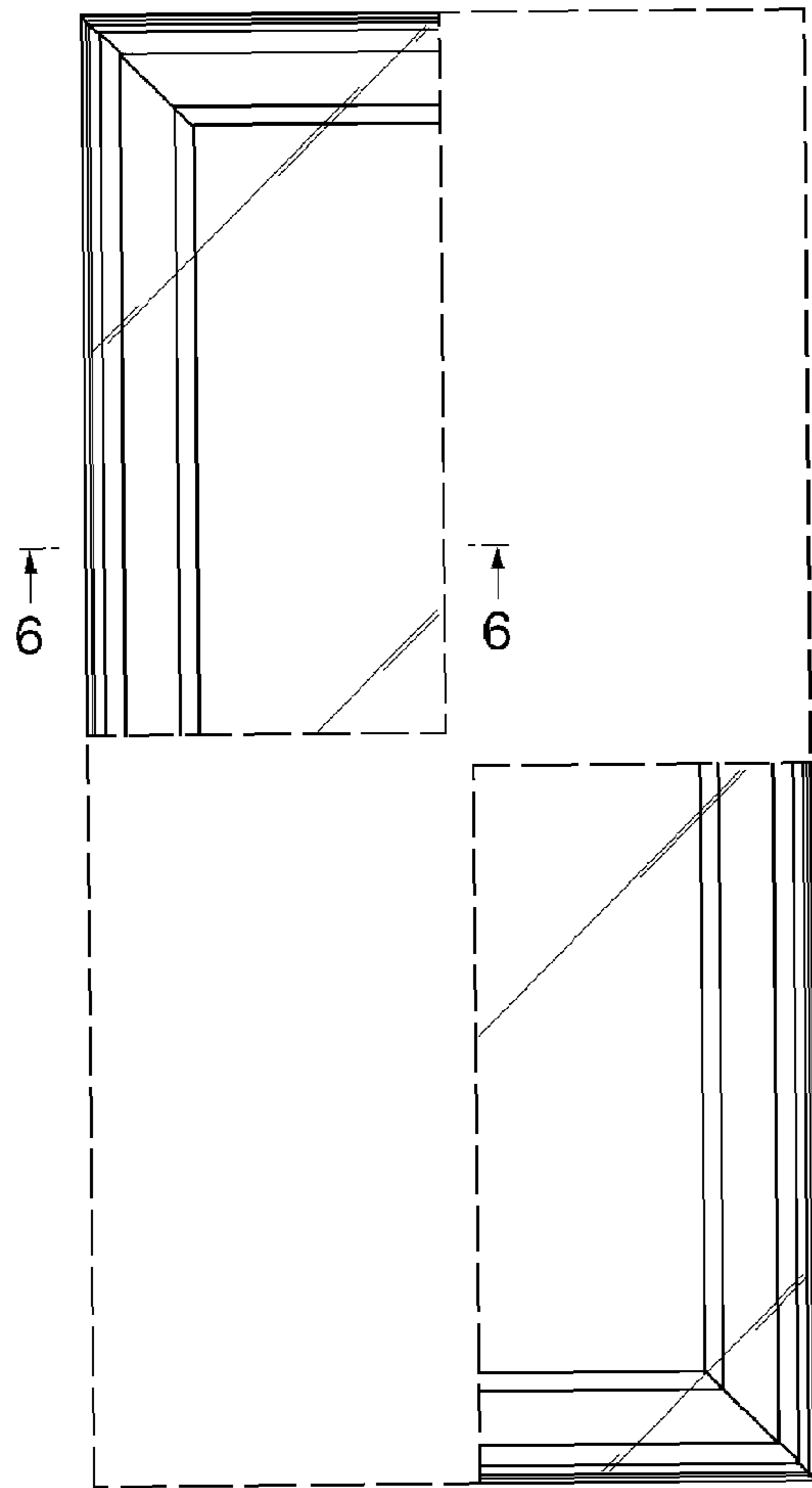


Fig.3.

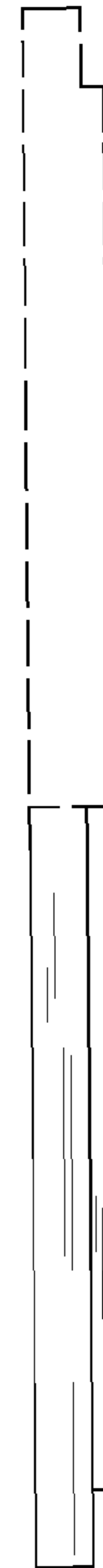


Fig.4.

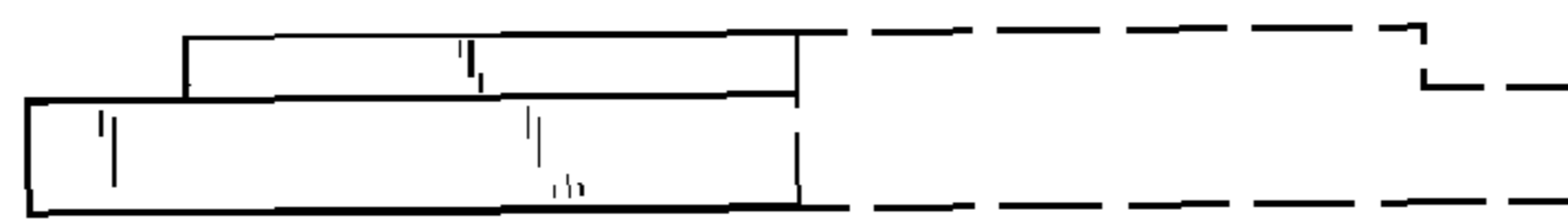


Fig.5.

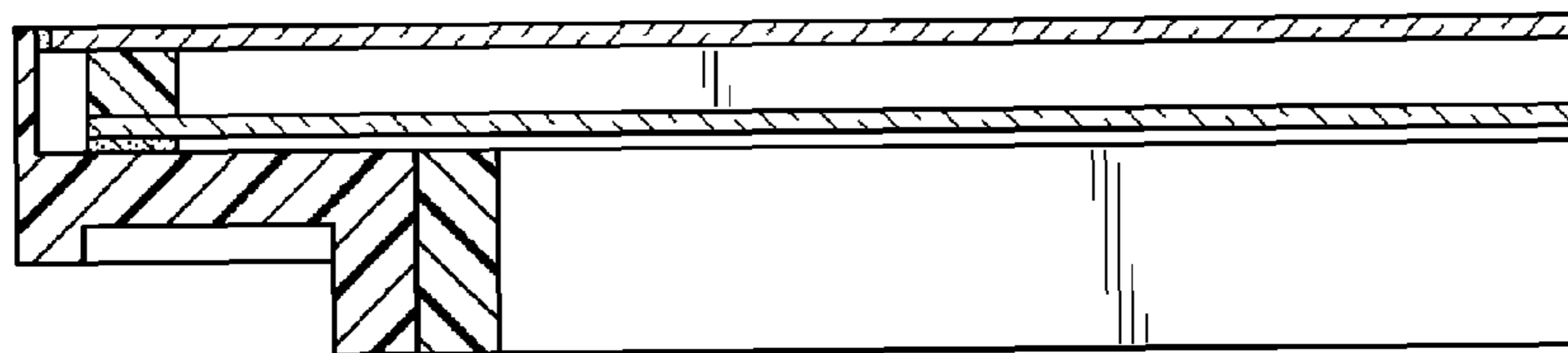


Fig.6.