



US00D576737S

(12) **United States Design Patent**  
**Lee et al.**

(10) **Patent No.:** **US D576,737 S**  
(45) **Date of Patent:** **\*\* Sep. 9, 2008**

(54) **HANDHELD MEDICAL TEST DEVICE WITH  
REMOVABLE CAP**

(75) Inventors: **Tony Lee**, Worcester (GB); **Mette  
Flakstad**, London (GB)

(73) Assignee: **Inverness Medical Switzerland GmbH**,  
Zug (CH)

(\*\*) Term: **14 Years**

(21) Appl. No.: **29/296,426**

(22) Filed: **Oct. 19, 2007**

**Related U.S. Application Data**

(63) Continuation of application No. 29/249,787, filed on  
Oct. 20, 2006, now Pat. No. Des. 557,815, which is a  
continuation of application No. 29/227,105, filed on  
Apr. 6, 2005, now Pat. No. Des. 530,825.

**Foreign Application Priority Data**

(30) Oct. 6, 2004 (GB) ..... 3018981

(51) **LOC (8) Cl.** ..... **24-01**

(52) **U.S. Cl.** ..... **D24/216**

(58) **Field of Classification Search** ..... D24/216-230;  
422/64, 102, 56, 58, 61, 63; 356/246; D10/81,  
D10/103

See application file for complete search history.

(56) **References Cited**

**U.S. PATENT DOCUMENTS**

D310,265 S 8/1990 Mochnal et al.  
D341,663 S 11/1993 Coulter  
D348,522 S \* 7/1994 Groothuizen ..... D24/223  
D353,889 S \* 12/1994 Erickson et al. .... D24/155  
D358,218 S \* 5/1995 Groothuizen et al. .... D24/223  
D369,868 S 5/1996 Nazareth et al.  
5,622,871 A 4/1997 May et al.  
D379,662 S 6/1997 Pearson et al.  
D379,663 S 6/1997 Pearson et al.  
D383,549 S 9/1997 Arnett et al.

D390,667 S 2/1998 Nazareth  
D394,317 S 5/1998 Carp et al.  
D412,990 S 8/1999 Woolston et al.  
D421,310 S 2/2000 Shantz  
6,046,057 A 4/2000 Nazareth et al.  
6,146,590 A 11/2000 Mazurek et al.  
6,303,081 B1 10/2001 Mink et al.  
6,372,516 B1 4/2002 Sun  
6,669,908 B2 12/2003 Weyker et al.  
6,740,293 B1 5/2004 Deng  
D491,274 S 6/2004 Dubniczki et al.

(Continued)

**OTHER PUBLICATIONS**

U.S. Appl. No. 29/249,787, Lee et al.

*Primary Examiner*—Louis S Zarfaz

*Assistant Examiner*—Anhdao Doan

(74) *Attorney, Agent, or Firm*—Foley Hoag LLP

(57) **CLAIM**

The ornamental design for a handheld medical test device  
with removable cap, as shown and described.

**DESCRIPTION**

FIG. 1 is a top plan view of a handheld medical test device  
with removable cap showing the design;

FIG. 2 is a bottom plan view thereof;

FIG. 3 is a left side elevation view thereof, the right side being  
a mirror image thereof;

FIG. 4 is a front elevation view of the design;

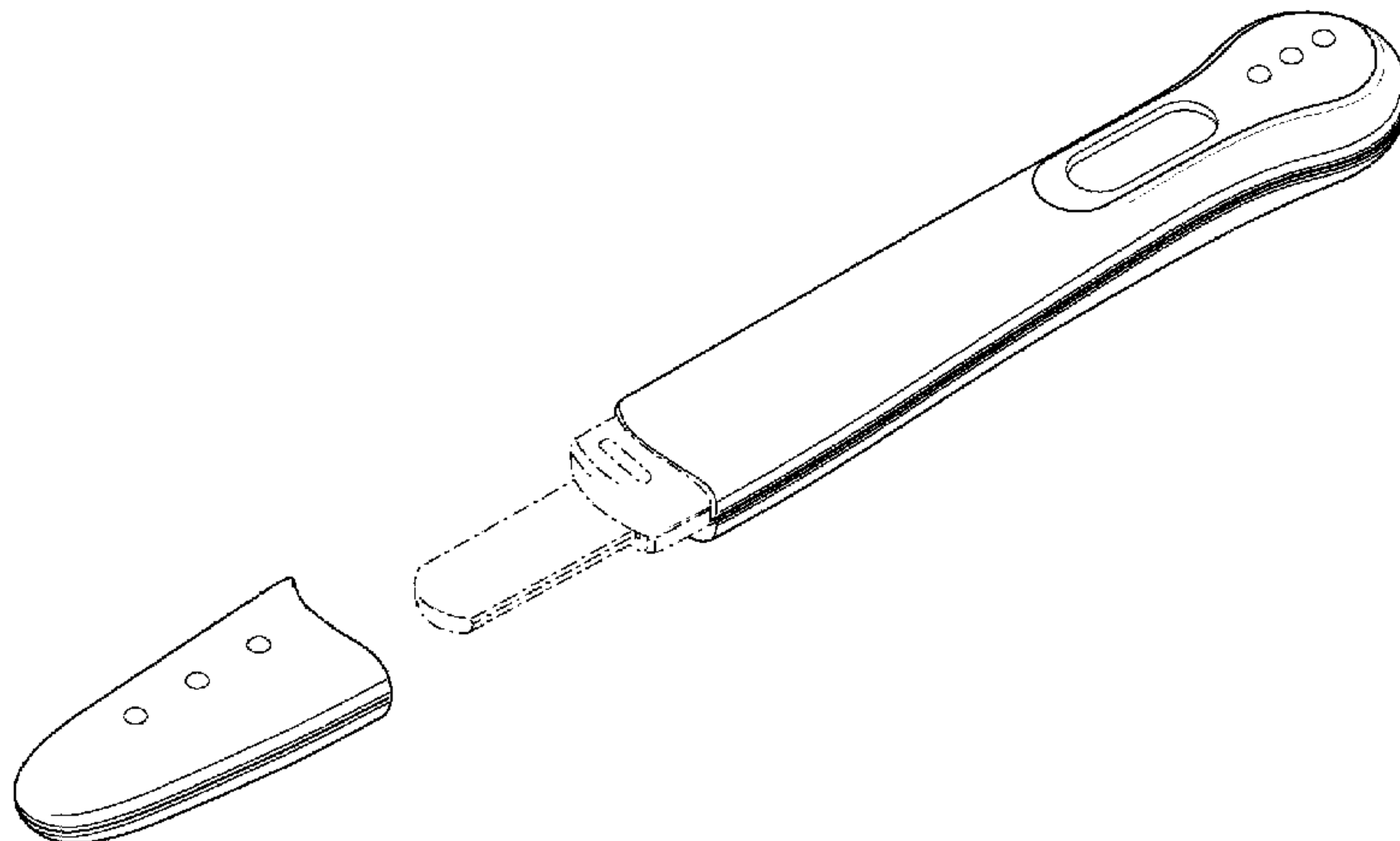
FIG. 5 is a rear elevation view thereof;

FIG. 6 is a perspective view of the top and left side thereof;  
and,

FIG. 7 is another perspective view of the handheld medical  
test device with its cap removed.

Broken lines shown in the drawings are for illustrative pur-  
poses only and do not form part of the claimed design.

**1 Claim, 2 Drawing Sheets**



# US D576,737 S

Page 2

---

## U.S. PATENT DOCUMENTS

6,767,714 B2	7/2004	Nazareth et al.	6,998,273 B1	2/2006	Fleming et al.	
D493,893 S	8/2004	Wang	7,045,342 B2	5/2006	Nazareth et al.	
D497,673 S	10/2004	Long et al.	D523,964 S	6/2006	Phelan et al.	
D497,999 S	11/2004	Long et al.	D530,825 S	10/2006	Lee et al.	
D499,812 S	12/2004	Wu et al.	D531,735 S	11/2006	Lee et al.	
6,855,561 B2	2/2005	Jerome et al.	D536,798 S	2/2007	Lee et al.	
6,867,051 B1	3/2005	Anderson et al.	D537,167 S	2/2007	Sigel et al.	
D509,901 S	9/2005	Phelan et al.	D537,168 S	2/2007	Sigel et al.	
6,951,631 B1	10/2005	Catt et al.	D537,169 S	2/2007	Sigel et al.	
D511,574 S	11/2005	Wendling	D537,531 S	2/2007	Sigel et al.	
D512,156 S	11/2005	Wendling	7,300,627 B1 *	11/2007	Sun .....	422/58

\* cited by examiner

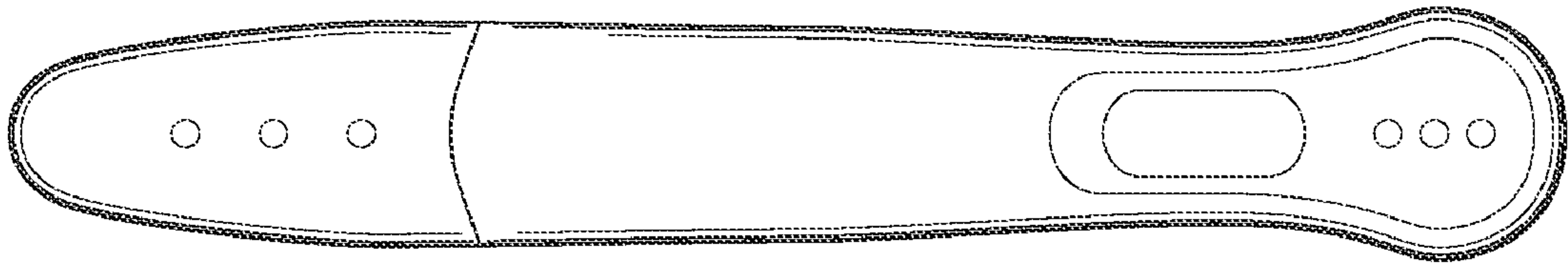


Fig. 1

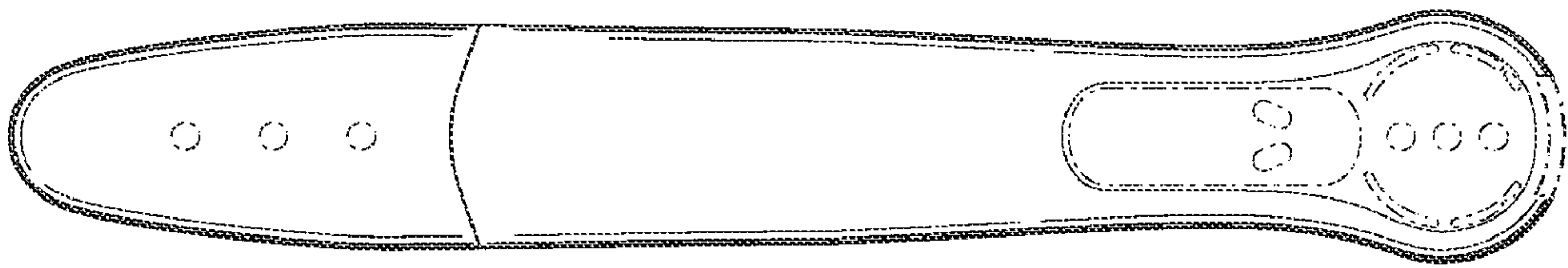


Fig. 2

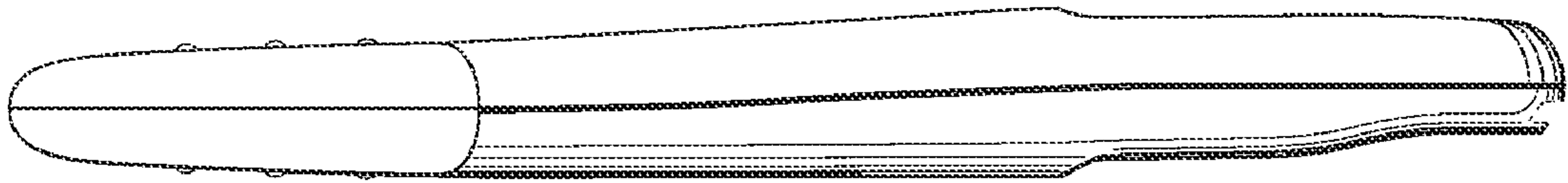


Fig. 3

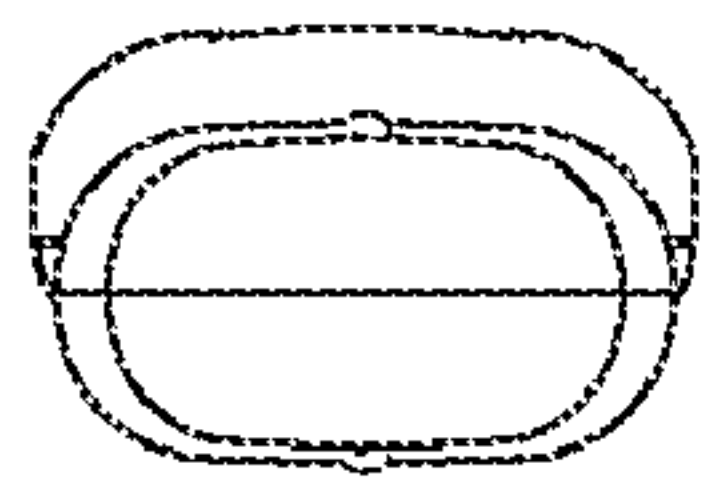


Fig. 4

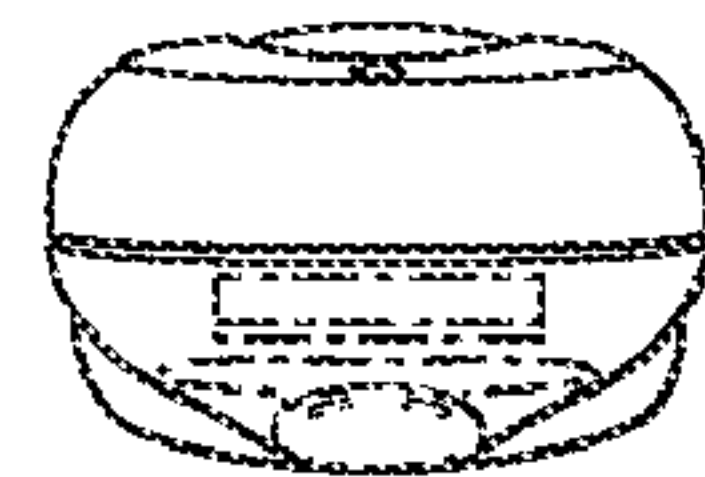


Fig. 5

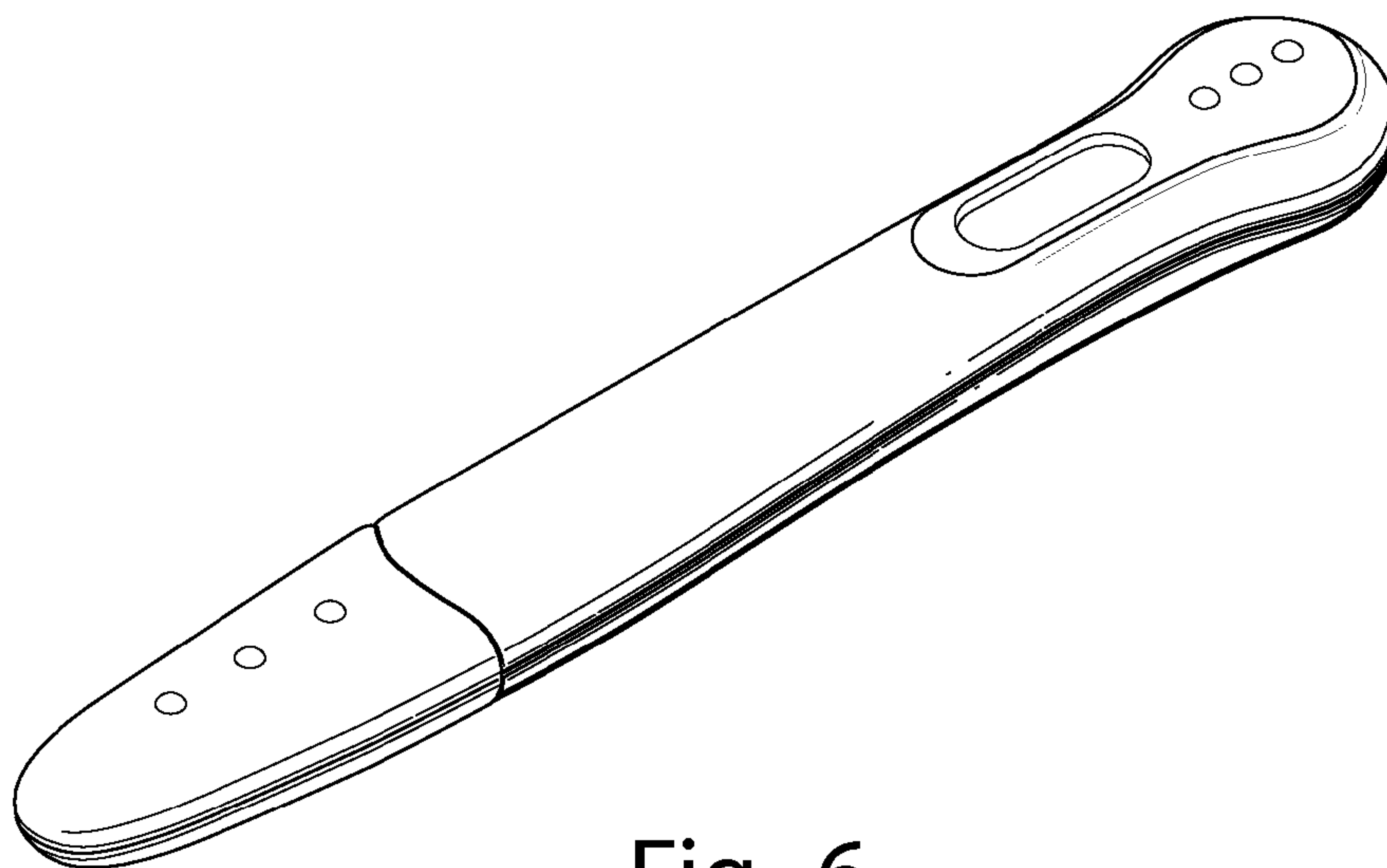


Fig. 6

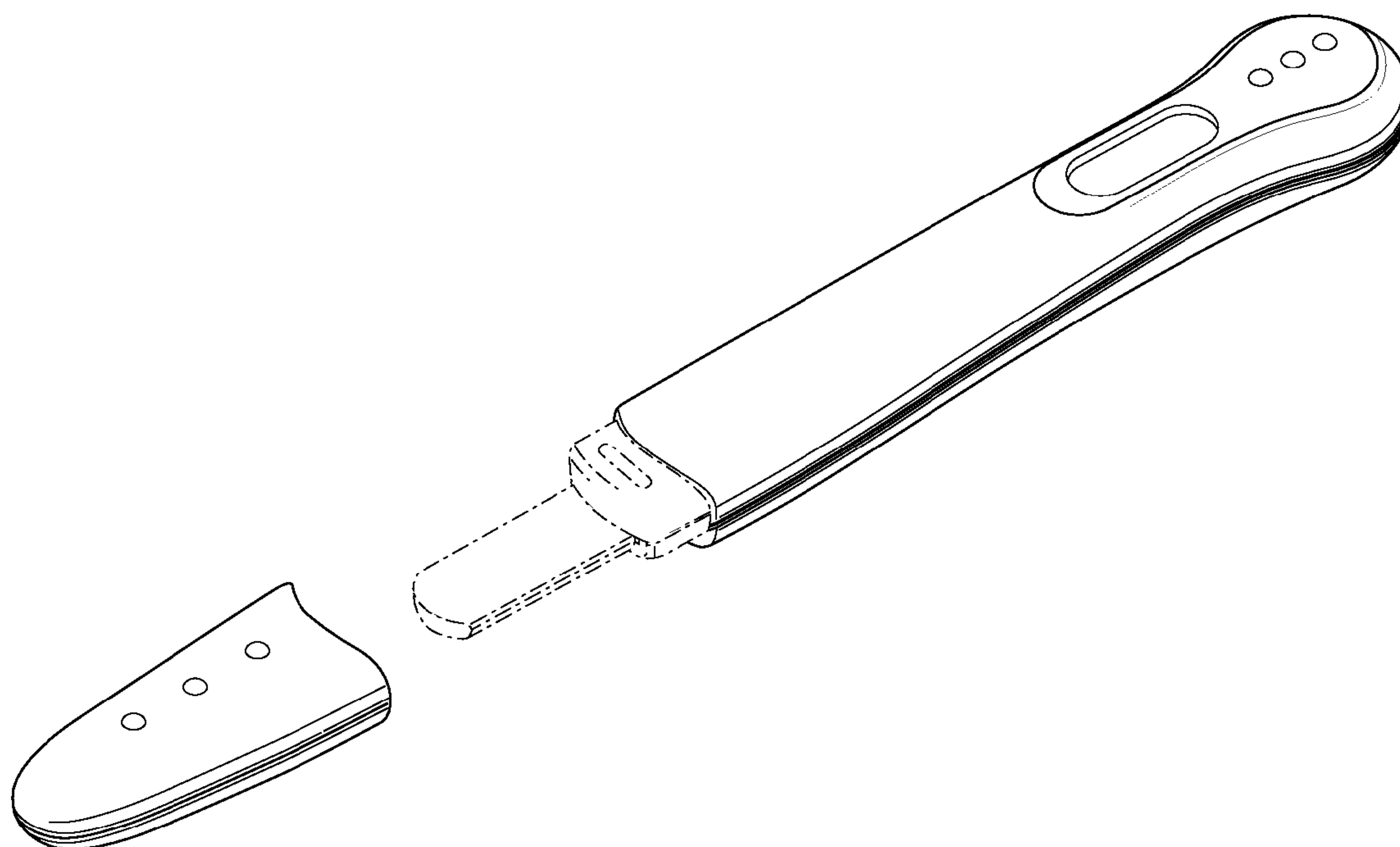


Fig. 7