



US00D576734S

(12) **United States Design Patent**
Huffman

(10) **Patent No.:** **US D576,734 S**

(45) **Date of Patent:** **** Sep. 9, 2008**

(54) **ARCH DENTAL ARTICULATOR BASE**

(57) **CLAIM**

(76) Inventor: **Ronald E. Huffman**, P.O. Box 68440,
Oro Valley, AZ (US) 85704

The ornamental design for an arch dental articulator base, as shown and described.

(**) Term: **14 Years**

(21) Appl. No.: **29/256,994**

DESCRIPTION

(22) Filed: **Mar. 28, 2006**

(51) **LOC (8) Cl.** **24-02**

(52) **U.S. Cl.** **D24/182**

(58) **Field of Classification Search** D24/155-157,
D24/133, 176, 181, 182; D29/108; 128/848,
128/859; 602/902; 623/1.13-1.17, 17.16,
623/44, 16.11, 17.11; 604/1.02; 433/34,
433/74, 37, 121; 81/119

See application file for complete search history.

FIG. 1 is a top and front top perspective view of an arch dental articulator base showing my new design;

FIG. 2 is a top and rear perspective view thereof;

FIG. 3 is a bottom and front perspective view thereof;

FIG. 4 is a bottom and rear perspective view thereof;

FIG. 5 is a front elevation view thereof;

FIG. 6 is a rear elevation view thereof;

FIG. 7 is a left side elevation thereof;

FIG. 8 is a right side elevation thereof;

FIG. 9 is a top plan view thereof;

FIG. 10 is a bottom plan view thereof;

FIG. 11 is a top and front top perspective view of a modified embodiment of the design shown in FIGS. 1 through 10;

FIG. 12 is a top and rear perspective view thereof;

FIG. 13 is a bottom and front perspective view thereof;

FIG. 14 is a bottom and rear perspective view thereof;

FIG. 15 is a front elevation thereof;

FIG. 16 is a rear elevation thereof;

FIG. 17 is a left side elevation view thereof;

FIG. 18 is a right side elevation view thereof;

FIG. 19 is a top plan view thereof; and,

FIG. 20 is a bottom plan thereof.

The broken lines showing of portions of the claimed design and the modified embodiment thereof are included for the purpose of illustrating environmental structures and form no part of the claimed design.

(56) **References Cited**

U.S. PATENT DOCUMENTS

603,803	A *	5/1898	White	433/37
921,791	A	5/1909	Benson		
967,086	A	8/1910	Tuttle		
1,013,028	A	12/1911	Lee		
1,314,223	A	8/1919	Sorensen		
1,745,570	A	2/1930	Dimelow		
1,772,027	A	8/1930	Baumgarten		

(Continued)

FOREIGN PATENT DOCUMENTS

DE 3 436 094 A1 3/1985

(Continued)

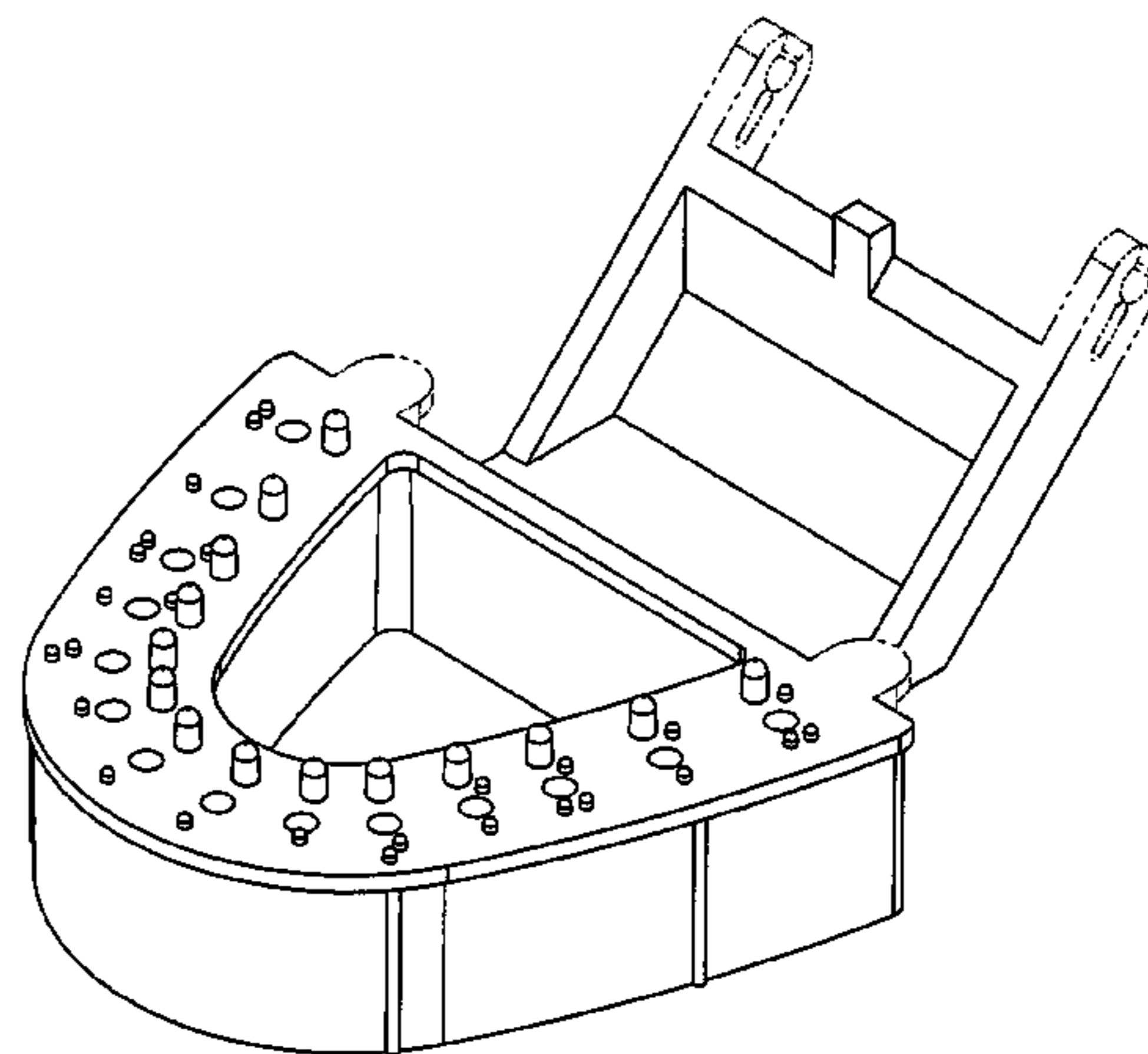
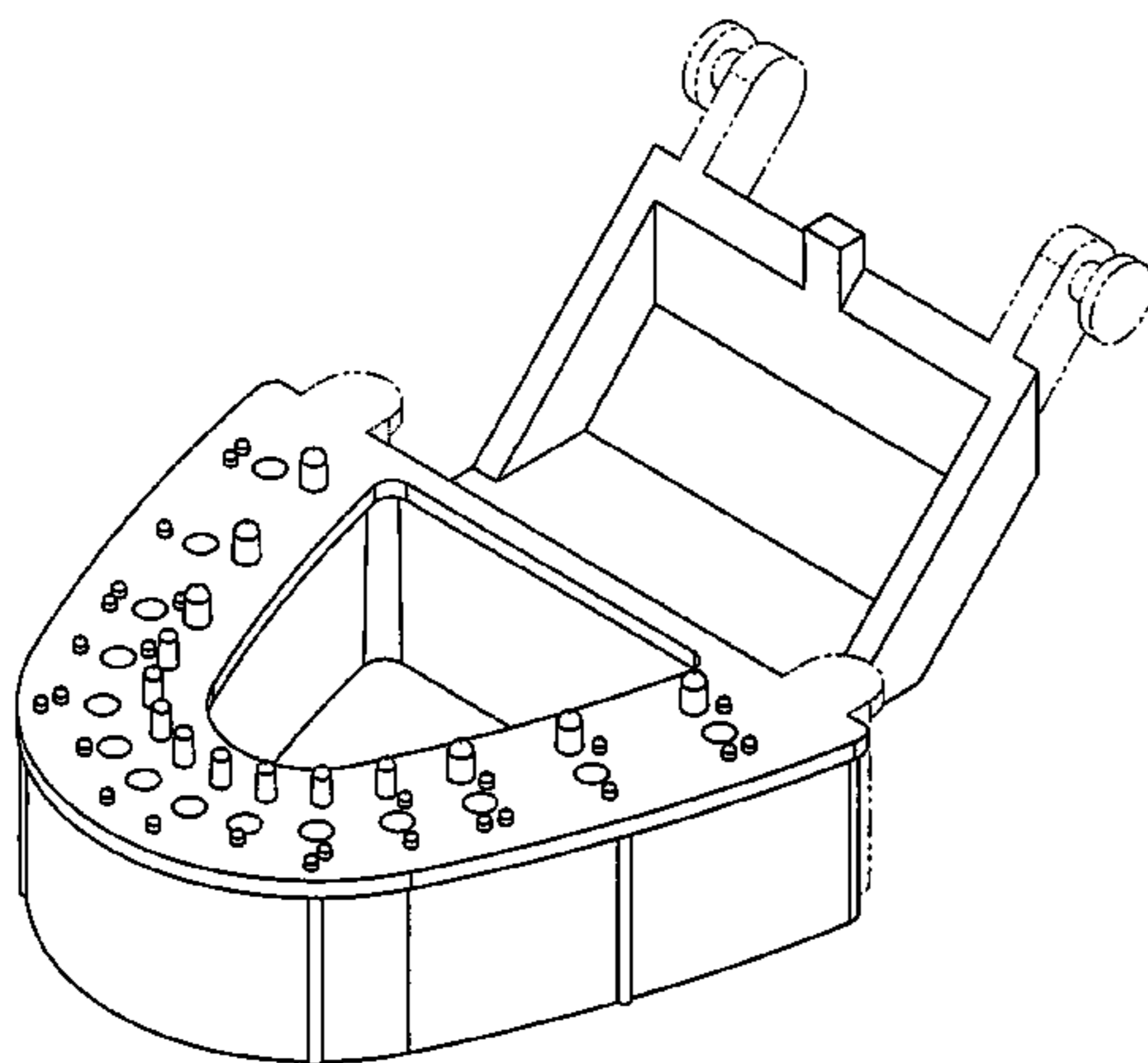
OTHER PUBLICATIONS

U.S. Appl. No. 29/216,696, filed Nov. 5, 2004.

(Continued)

Primary Examiner—Charles A Rademaker
(74) *Attorney, Agent, or Firm*—Merchant & Gould P.C.

1 Claim, 10 Drawing Sheets



US D576,734 S

U.S. PATENT DOCUMENTS					
1,780,117 A	10/1930	Craigo	4,645,454 A	2/1987	Amdur et al.
2,031,996 A	2/1936	Zelesnick	D289,924 S	5/1987	Huffman
2,037,344 A	4/1936	Schwartz	4,671,770 A	6/1987	Bell et al.
2,234,411 A	3/1941	McDonald	4,708,648 A	11/1987	Weissman
2,376,384 A	5/1945	Ringle et al.	4,708,835 A	11/1987	Kiefer
2,398,671 A	4/1946	Saffir	4,721,464 A	1/1988	Roden et al.
2,577,420 A	12/1951	Jablonski et al.	4,734,033 A	3/1988	Huffman
2,585,857 A	2/1952	Schwartz	D295,314 S	4/1988	Kwok
2,613,440 A	10/1952	Murray et al.	4,767,330 A	8/1988	Burger
2,621,407 A	12/1952	Schlesinger	4,767,331 A	8/1988	Hoe
2,669,780 A	2/1954	Mann	4,786,253 A	11/1988	Morais
2,758,374 A *	8/1956	Fisher et al. 433/37	4,834,651 A	5/1989	Fenick
2,842,845 A	7/1958	Carlson	4,842,242 A	6/1989	Huffman
2,963,786 A *	12/1960	Browning 433/37	D302,456 S	7/1989	Huffman
3,150,448 A	9/1964	Wozar	D302,587 S	8/1989	Huffman
D210,278 S *	2/1968	White D24/181	D302,724 S	8/1989	Huffman
3,453,736 A	7/1969	Waltke	D302,725 S	8/1989	Huffman
3,461,562 A	8/1969	Cooper	4,865,546 A	9/1989	Naylor
3,478,428 A	11/1969	Stengel	RE33,099 E	10/1989	Shoher et al.
3,510,947 A	5/1970	Tuccillo	4,886,453 A	12/1989	Ludwigs
3,518,761 A	7/1970	Susman et al.	D305,361 S	1/1990	Huffman
3,581,398 A	6/1971	Thomas	D305,362 S	1/1990	Huffman
3,650,032 A	3/1972	Kestler	D306,206 S	2/1990	Huffman
3,753,291 A	8/1973	Bocian et al.	4,898,359 A	2/1990	Gopon
3,832,777 A	9/1974	Tinder	4,917,347 A	4/1990	Fenick
3,913,230 A	10/1975	Weiss	RE33,271 E	7/1990	Shoher et al.
3,934,348 A	1/1976	Janjic	4,940,409 A	7/1990	Nordin
3,937,773 A	2/1976	Huffman	4,980,124 A	12/1990	Dimmer
3,947,964 A	4/1976	Lee	D315,209 S	3/1991	Mann
3,969,820 A	7/1976	Kulig et al.	D315,955 S	4/1991	Mann
4,021,916 A	5/1977	Spalten	5,015,182 A	5/1991	Newberry
4,022,419 A	5/1977	Haker	5,028,235 A	7/1991	Smith
4,116,416 A	9/1978	Segura	5,044,949 A	9/1991	Xanthopoulos
4,122,606 A	10/1978	Roman	5,049,075 A	9/1991	Barrut
4,127,939 A	12/1978	Samuel et al.	5,076,789 A	12/1991	Tanaka
4,174,570 A	11/1979	Schwartz	D323,559 S	1/1992	Shafer
4,203,219 A	5/1980	Wiener	5,098,290 A	3/1992	Honstein et al.
4,229,167 A	10/1980	Kikuchi et al.	5,100,317 A	3/1992	Darnand
4,240,605 A	12/1980	Waltke	5,197,874 A	3/1993	Silva et al.
4,242,812 A	1/1981	Randoll et al.	5,207,574 A	5/1993	Garland
4,265,619 A	5/1981	Lucki et al.	5,352,117 A	10/1994	Silva
4,283,173 A	8/1981	Browne et al.	5,393,227 A	2/1995	Nooning
4,301,357 A	11/1981	Huffman	5,403,185 A	4/1995	Presswood
4,319,875 A	3/1982	Beckwith	5,466,152 A	11/1995	Walter
4,359,464 A	11/1982	Weinstock	5,470,231 A	11/1995	Stern
4,371,339 A	2/1983	Zeiser	5,501,600 A	3/1996	Johnson
4,378,929 A	4/1983	Huffman	5,586,884 A	12/1996	Kraus
4,382,787 A	5/1983	Huffman	5,622,497 A	4/1997	Cho
4,398,884 A	8/1983	Huffman	5,722,828 A	3/1998	Halstrom
4,403,961 A	9/1983	Gurney	5,766,007 A	6/1998	Huffman
4,436,511 A	3/1984	Mitchell, Sr.	5,769,634 A	6/1998	Choi
4,439,151 A	3/1984	Whelan	5,775,899 A	7/1998	Huffman
4,443,192 A	4/1984	Blitz	5,788,489 A	8/1998	Huffman
4,449,930 A	5/1984	Huffman	5,788,490 A	8/1998	Huffman
4,449,931 A	5/1984	Saito	5,800,166 A	9/1998	Huffman
4,459,110 A	7/1984	Jackson	5,807,099 A	9/1998	Johnson
4,473,353 A	9/1984	Greggs	5,868,138 A	2/1999	Halstrom
4,481,162 A	11/1984	Huffman	5,868,569 A	2/1999	Huffman
4,494,934 A	1/1985	Huffman	D408,919 S	4/1999	Cooley
4,504,226 A	3/1985	Gordon	5,934,901 A	8/1999	Huffman
4,521,188 A	6/1985	Metzler	5,970,981 A	10/1999	Ochel
4,533,323 A	8/1985	Huffman	5,996,963 A	12/1999	Michael
4,538,987 A	9/1985	Weissman	6,033,221 A	3/2000	Tsubota et al.
4,548,581 A	10/1985	Huffman	D429,815 S	8/2000	Huffman
D283,541 S	4/1986	Huffman	D430,672 S	9/2000	Huffman
D283,542 S	4/1986	Huffman	D433,136 S	10/2000	Huffman
D283,639 S	4/1986	Huffman	D433,754 S	11/2000	Huffman
D283,730 S	5/1986	Huffman	6,149,428 A *	11/2000	Mogensen 433/74
4,608,016 A	8/1986	Zeiser	6,186,781 B1	2/2001	Iba
D286,179 S	10/1986	Huffman	6,234,794 B1	5/2001	Ozaki
D286,436 S	10/1986	Huffman	D443,363 S	6/2001	Huffman
			D444,559 S	7/2001	Huffman
			D452,009 S	12/2001	Huffman

US D576,734 S

Page 3

D452,010 S	12/2001	Huffman		2002/0102514 A1	8/2002	Huffman
D452,319 S	12/2001	Huffman		2004/0013998 A1	1/2004	Jung et al.
D452,320 S	12/2001	Huffman		2004/0029070 A1	2/2004	Huffman
D452,321 S	12/2001	Huffman		2004/0029071 A1	2/2004	Huffman
D452,322 S	12/2001	Huffman		2004/0096802 A1	5/2004	Gittleman
D452,566 S	12/2001	Huffman		2004/0197729 A1	10/2004	Honstein et al.
D452,567 S	12/2001	Huffman		2005/0064364 A1	3/2005	Huffman
D452,568 S	12/2001	Huffman		2005/0064365 A1	3/2005	Huffman
6,364,661 B1 *	4/2002	Brattesani 433/37	2005/0064366 A1	3/2005	Huffman
D456,902 S	5/2002	Huffman		2005/0106530 A1	5/2005	Huffman
D456,903 S	5/2002	Huffman				
D456,904 S	5/2002	Huffman				
D457,243 S	5/2002	Huffman				
D457,636 S	5/2002	Huffman				
D457,637 S	5/2002	Huffman				
D457,963 S	5/2002	Huffman				
D457,964 S	5/2002	Huffman				
6,425,759 B1 *	7/2002	Cronin 433/34			
D464,431 S	10/2002	Huffman				
D464,432 S	10/2002	Huffman				
D464,732 S	10/2002	Huffman				
D464,733 S	10/2002	Huffman				
D465,027 S	10/2002	Huffman				
6,471,513 B1	10/2002	Huffman				
D468,018 S	12/2002	Huffman				
D468,431 S	1/2003	Huffman				
D468,432 S	1/2003	Huffman				
D469,537 S	1/2003	Huffman				
6,511,318 B2	1/2003	Kim				
D481,797 S	11/2003	Huffman				
6,726,477 B2 *	4/2004	Gittleman 433/34			
D491,269 S *	6/2004	Tucker et al. D24/181			
6,884,068 B2	4/2005	Huffman				
6,886,566 B2	5/2005	Eubank				
7,044,734 B2	5/2006	Huffman				
D529,177 S	9/2006	Huffman				
7,108,507 B2	9/2006	Huffman				
D530,014 S	10/2006	Huffman				
7,156,660 B2	1/2007	Huffman				
D537,987 S	3/2007	Manzo et al.				
7,210,931 B1	5/2007	Huffman				
D547,452 S *	7/2007	Costello D24/182			
D551,767 S *	9/2007	Costello D24/182			
D559,986 S *	1/2008	Huffman D24/176			

FOREIGN PATENT DOCUMENTS

DE	3 505 680 A1	7/1985
DE	3 521 137 A1	12/1986
DE	3 825 014 A1	1/1990
DE	295 06 480 U1	8/1995
DE	296 13 916 U1	1/1998
DE	4 01 05 710.0	10/2001
EP	0 210 484 A2	2/1985
EP	0 151 086 A2	8/1985
EP	0 277 026 A2	8/1988
EP	0 291 821 A1	11/1988
EP	0 528 335 A1	2/1993
FR	2 750 851 A1	1/1998
FR	2 757 372 A1	6/1998
FR	2 770 994	5/1999
FR	653652TO653664	2/2002
GB	866118	4/1961
GB	886118	1/1962
GB	2102229 A	1/1983
GB	2105427	3/1983
GB	1014814	2/1984
GB	1053786	4/1989
GB	2075293	9/1998
JP	1175348	4/2003
JP	1178837	5/2003
WO	WO 88/10101	12/1988
WO	WO 97/16130	5/1997
WO	WO 01/01881 A2	1/2001

OTHER PUBLICATIONS

U.S. Appl. No. 29/216,697, filed Nov. 5, 2004.

* cited by examiner

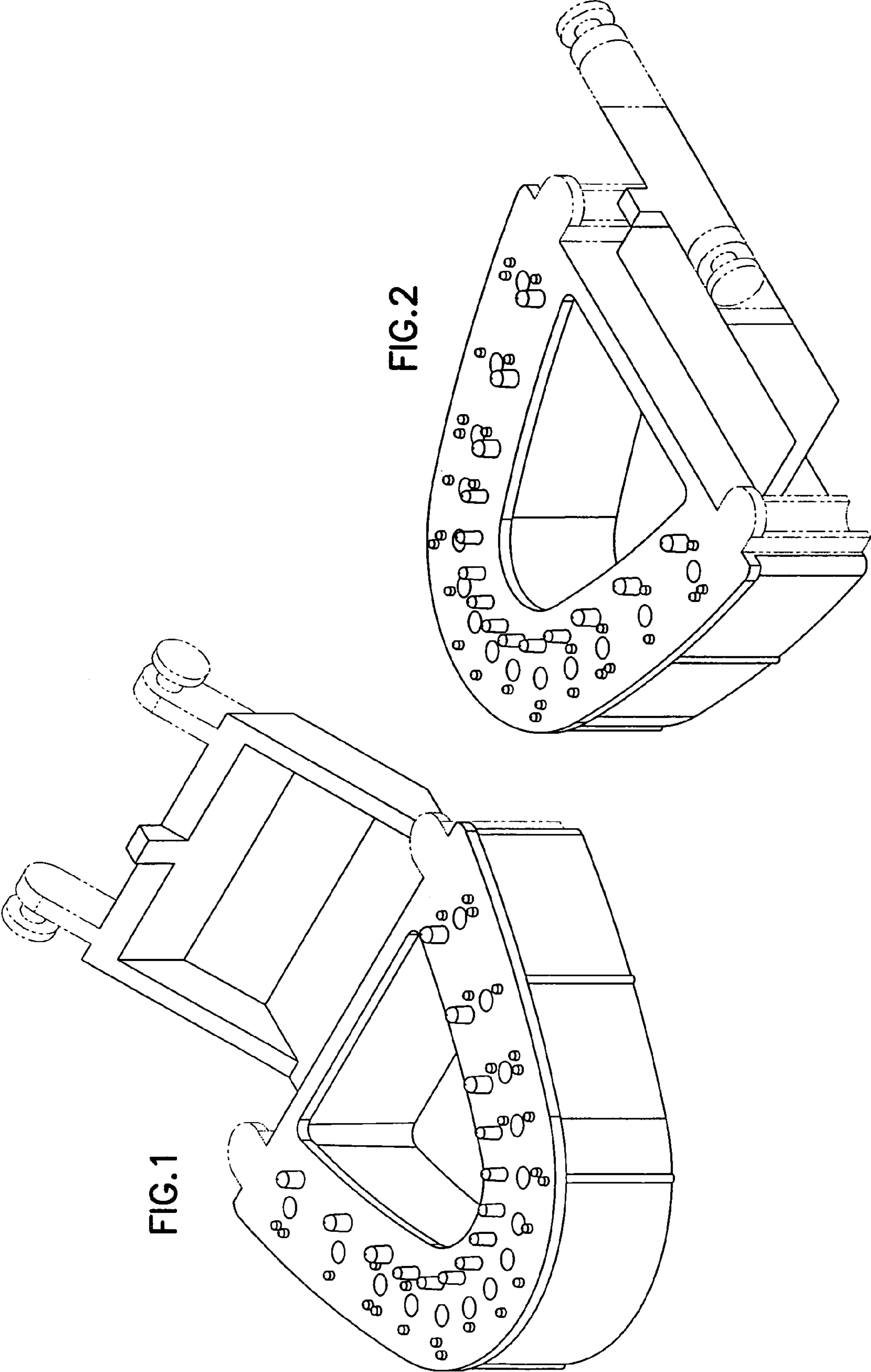


FIG.3

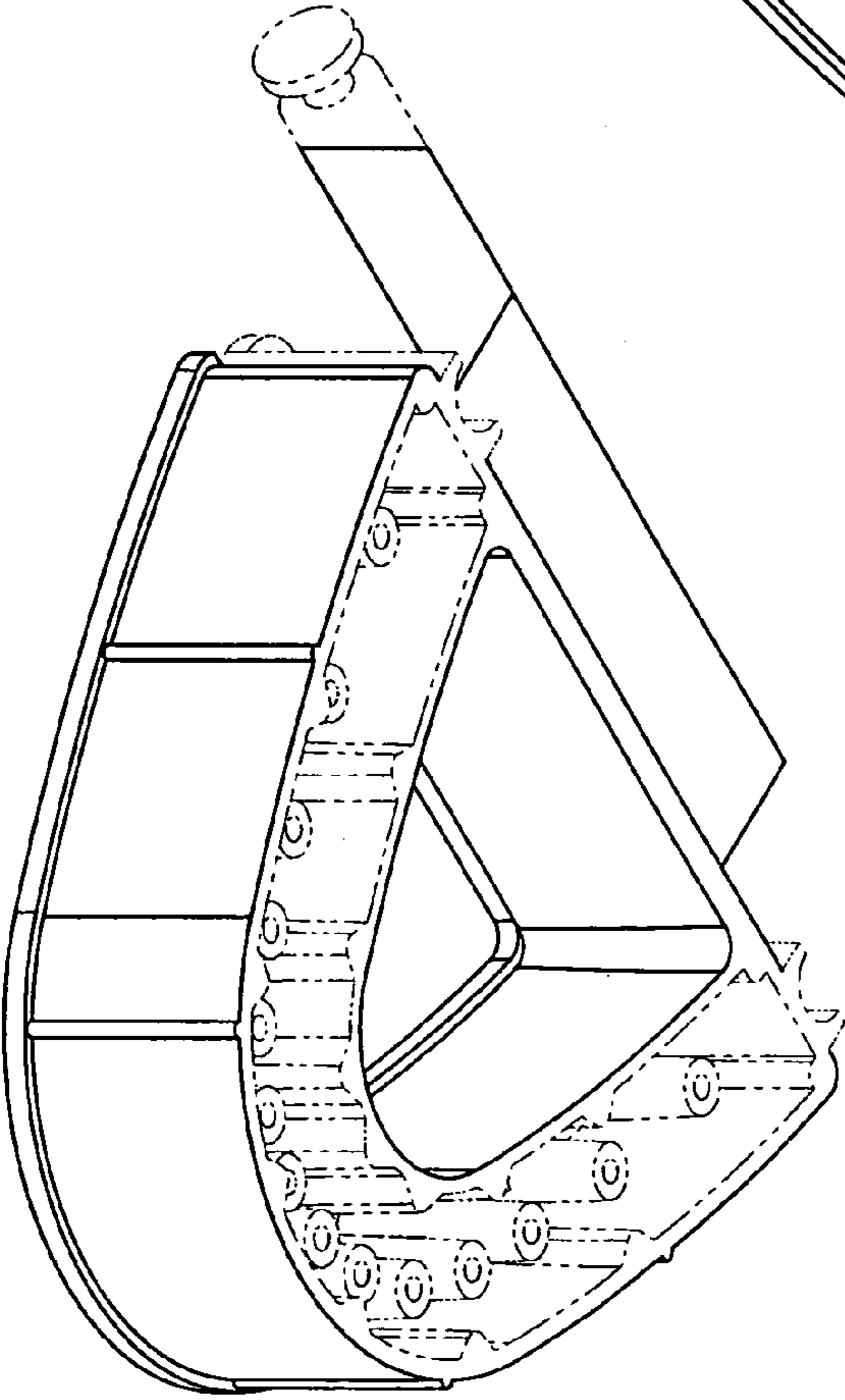
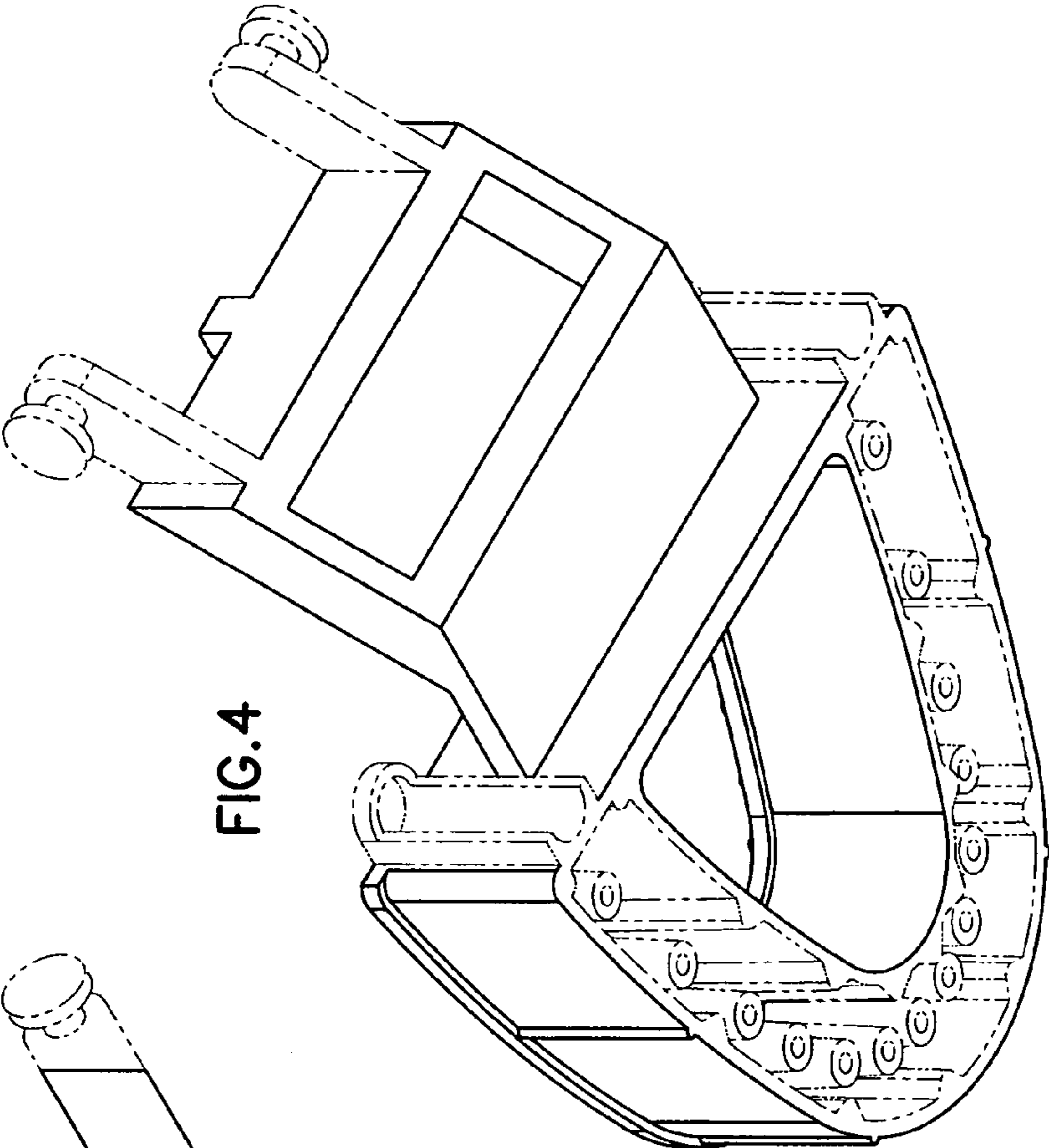


FIG.4



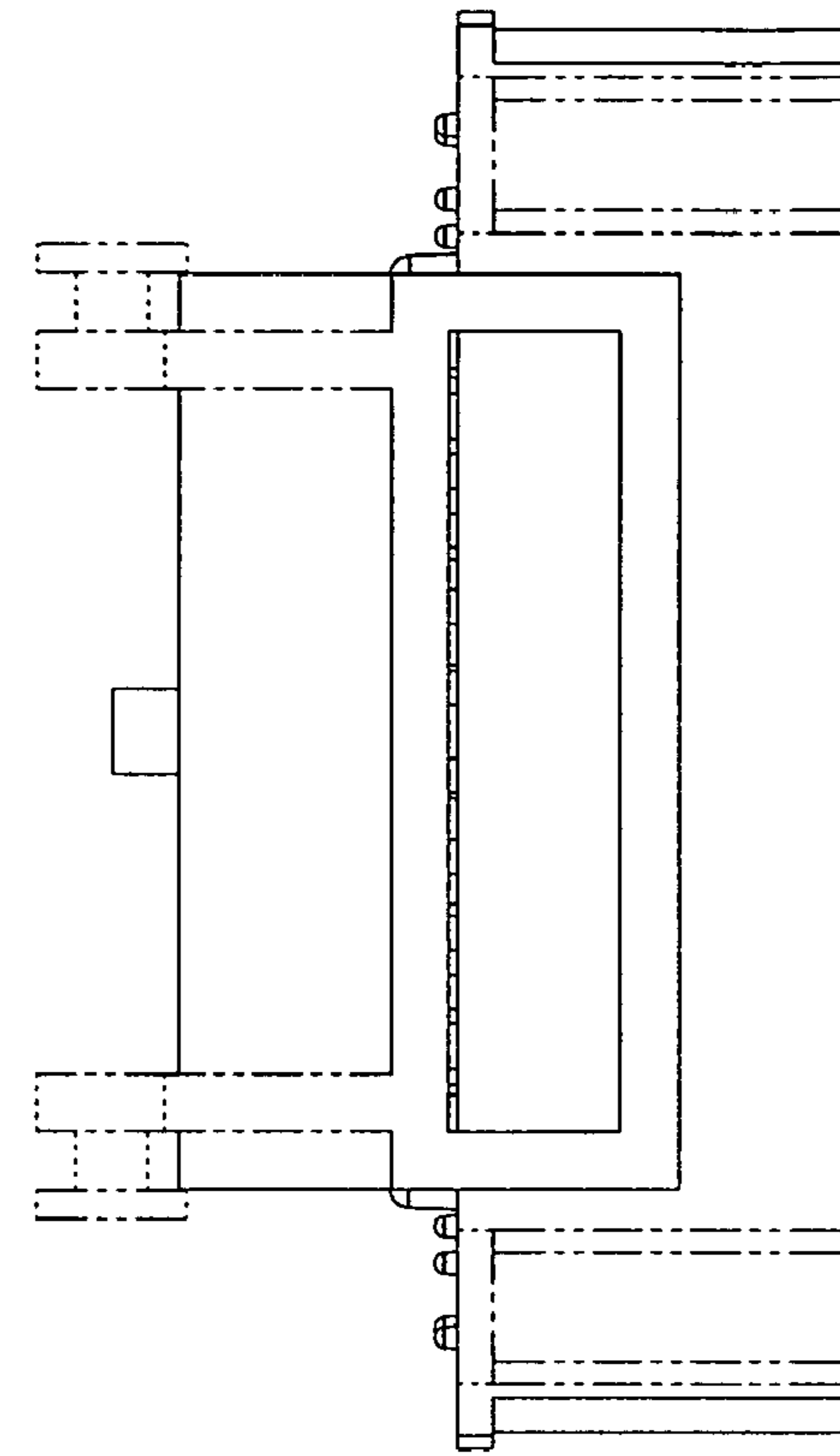


FIG. 5

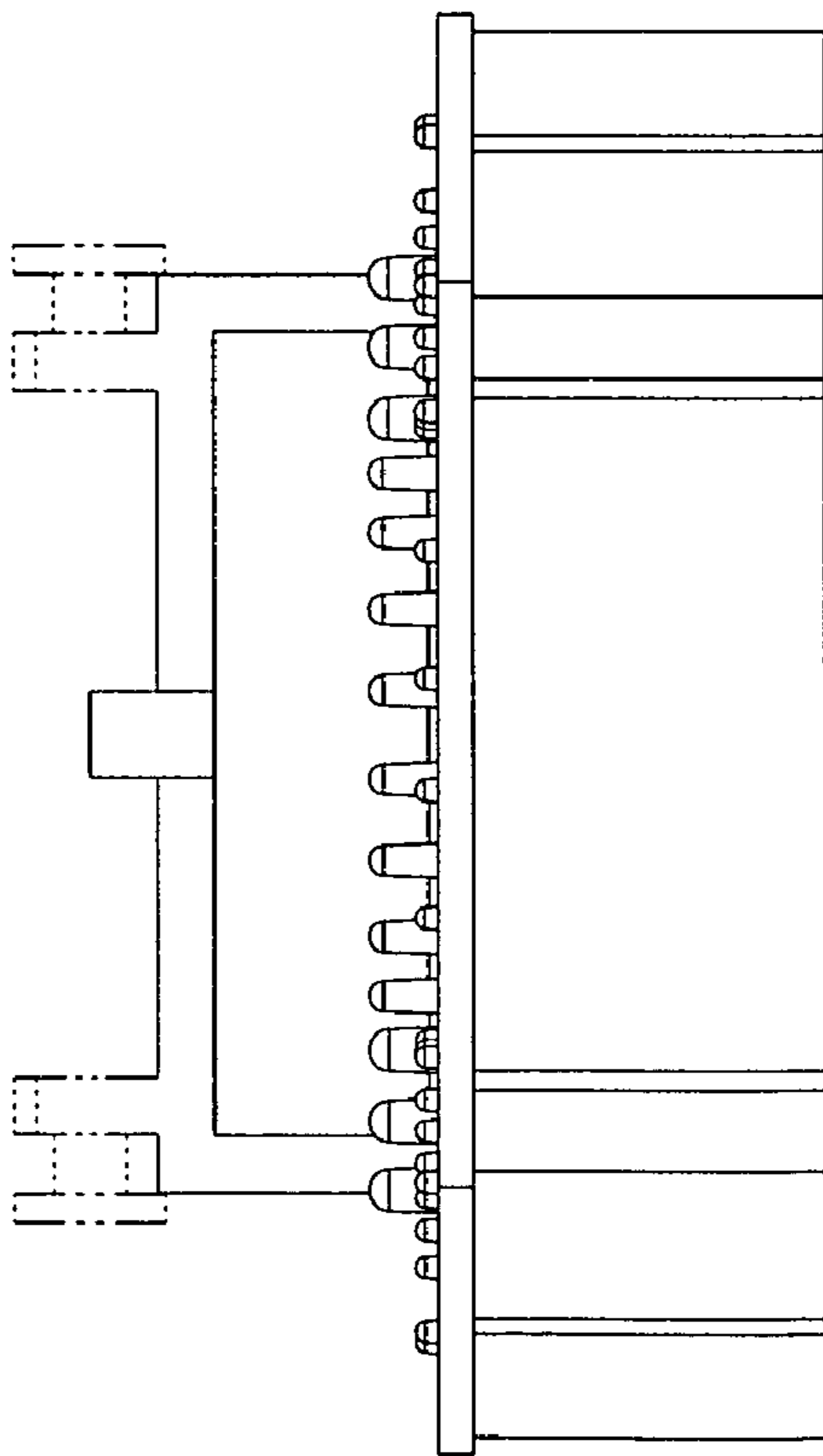


FIG. 6

FIG.7

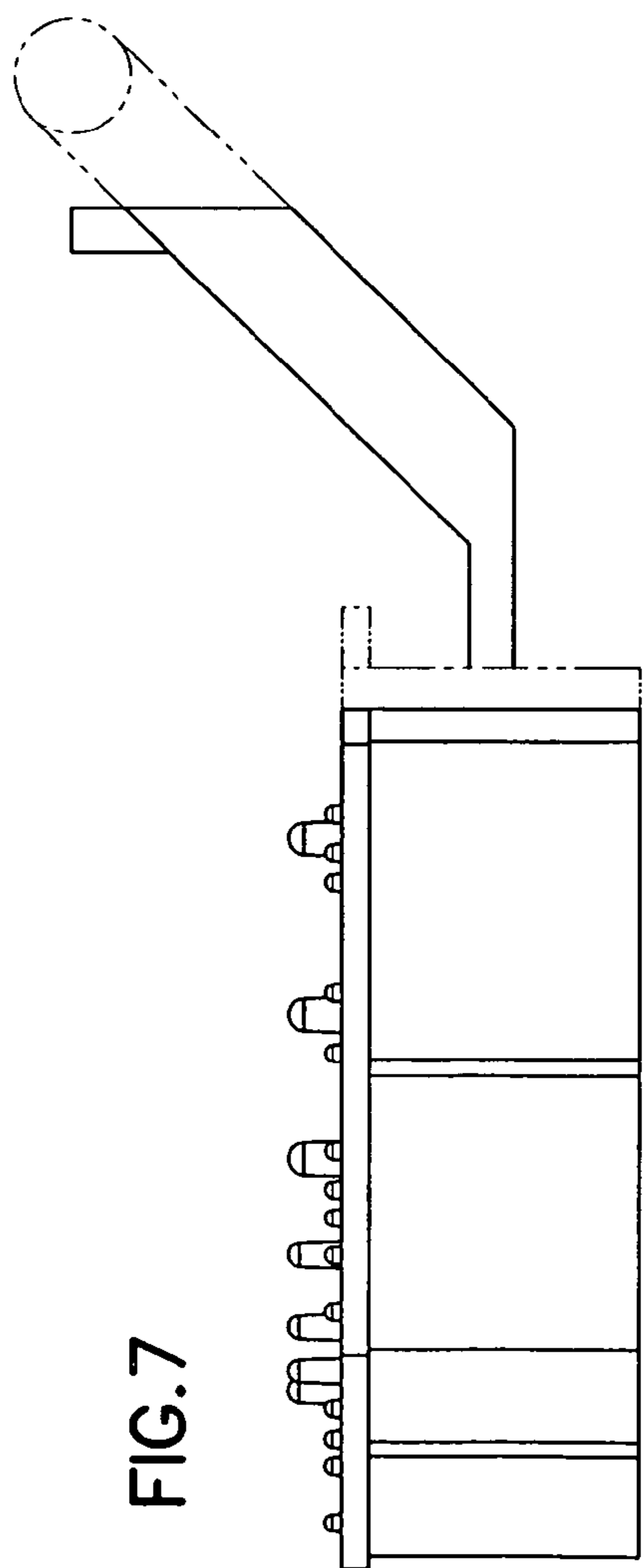
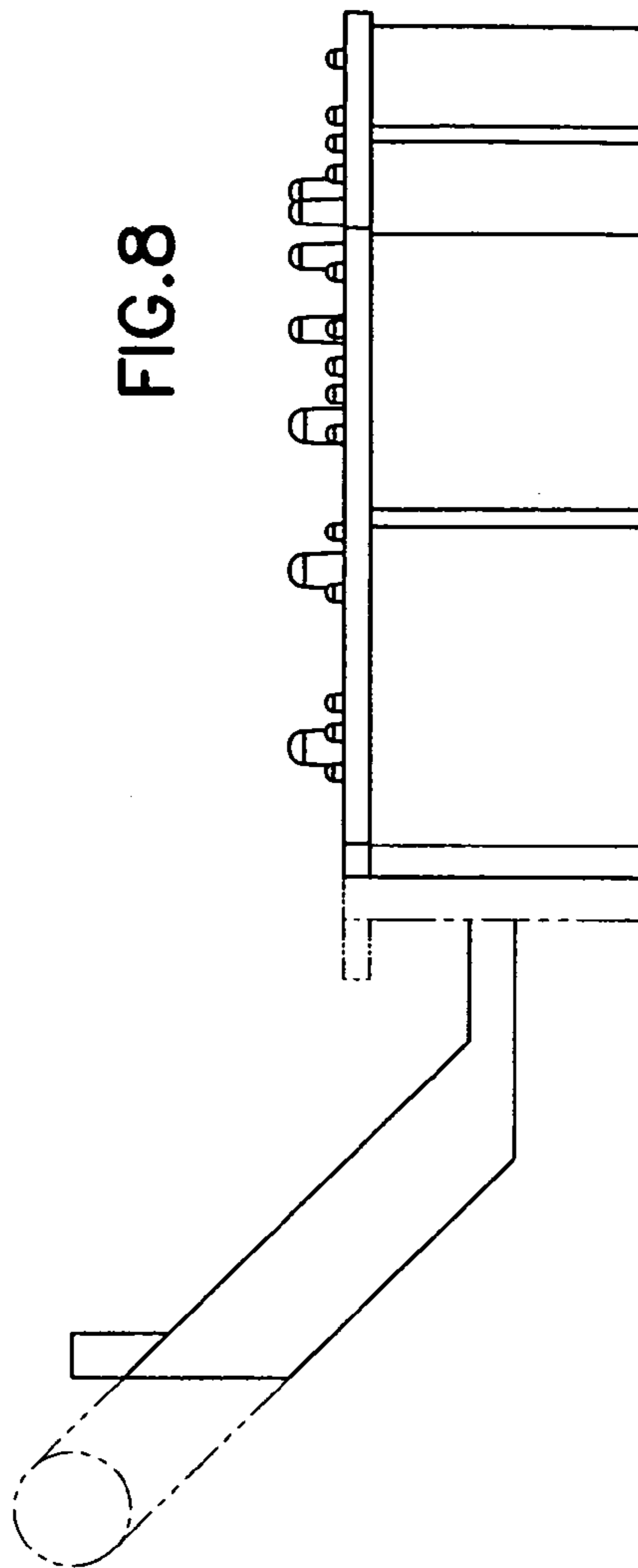


FIG.8



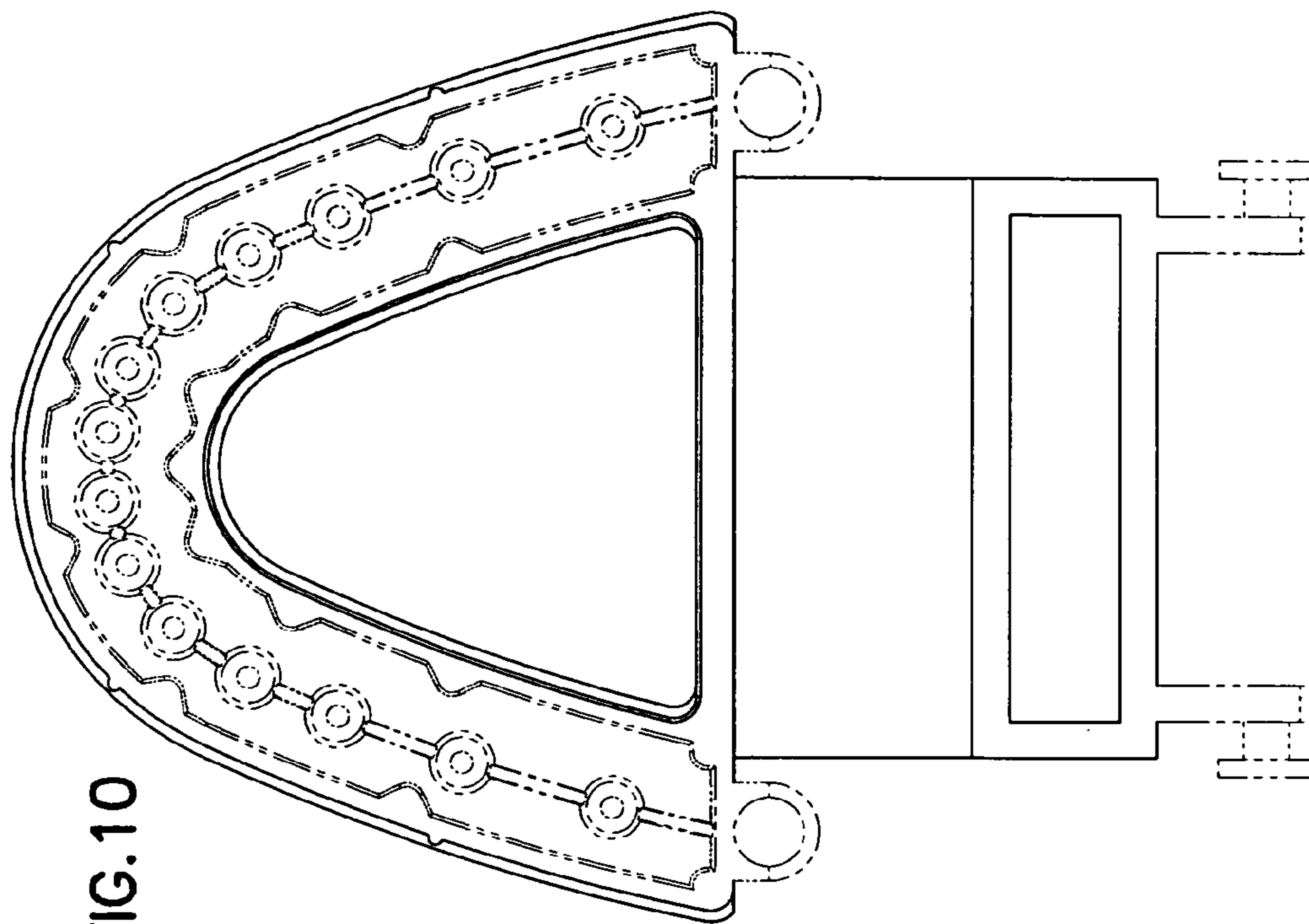


FIG. 10

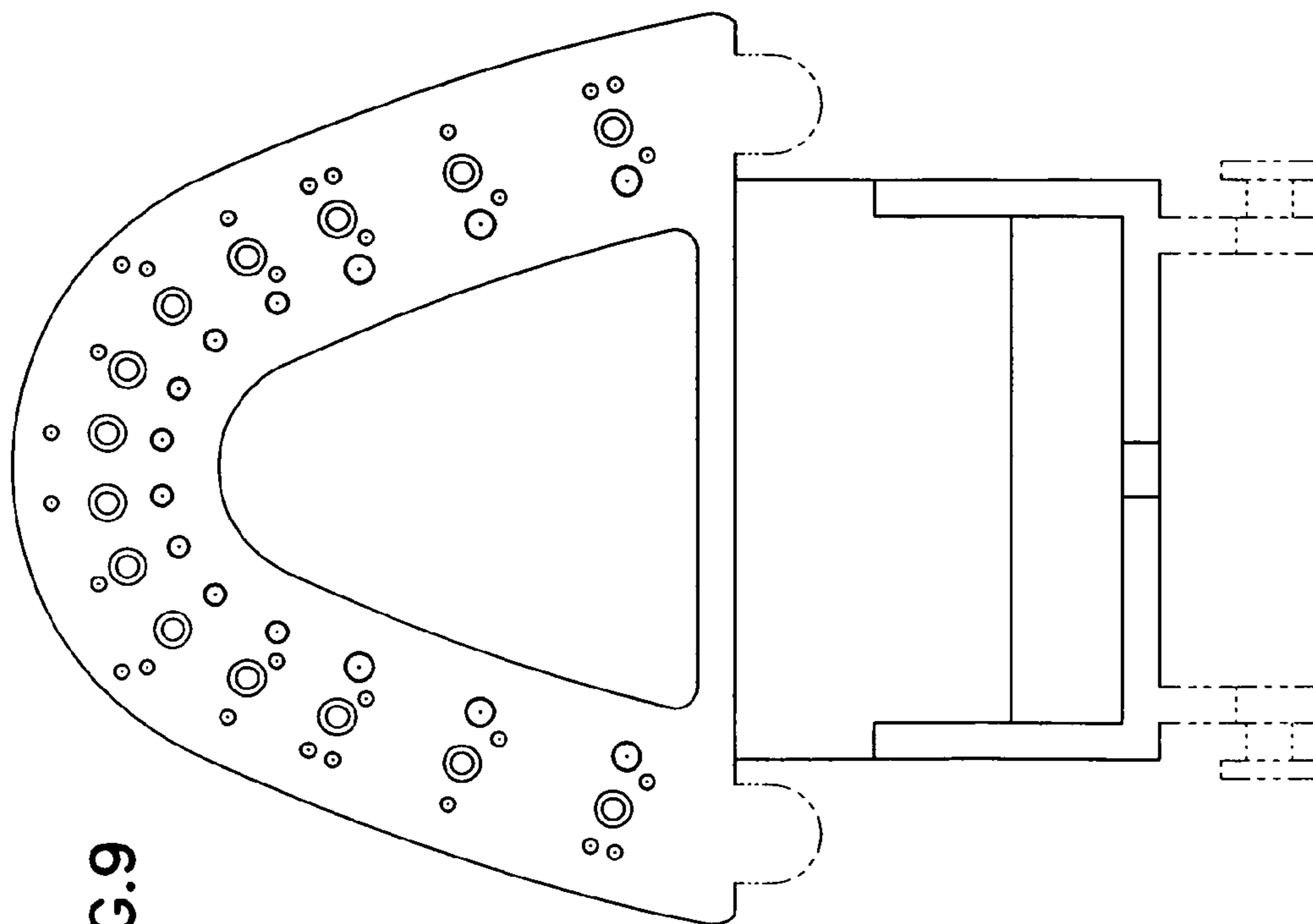


FIG. 9

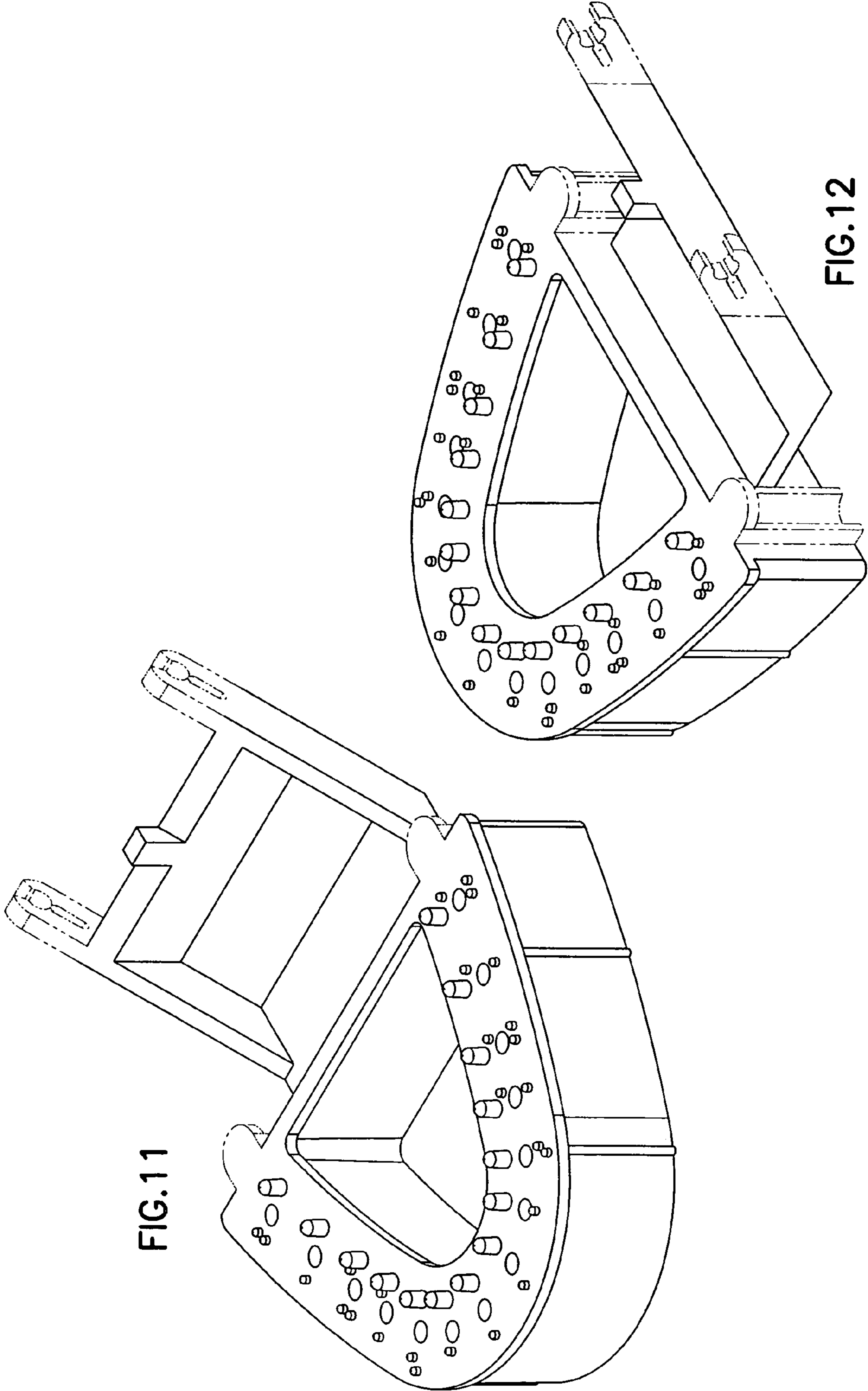


FIG.13

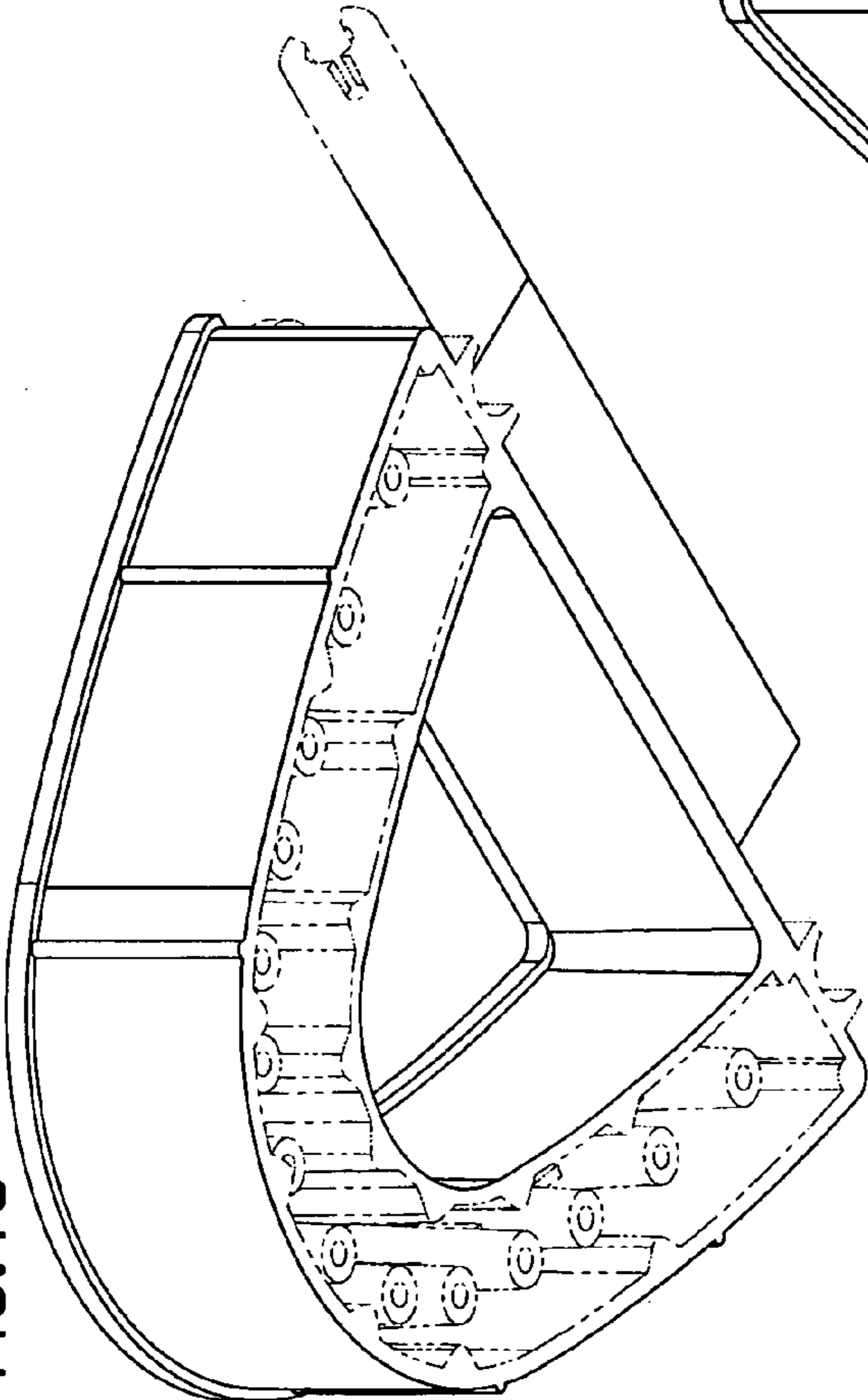
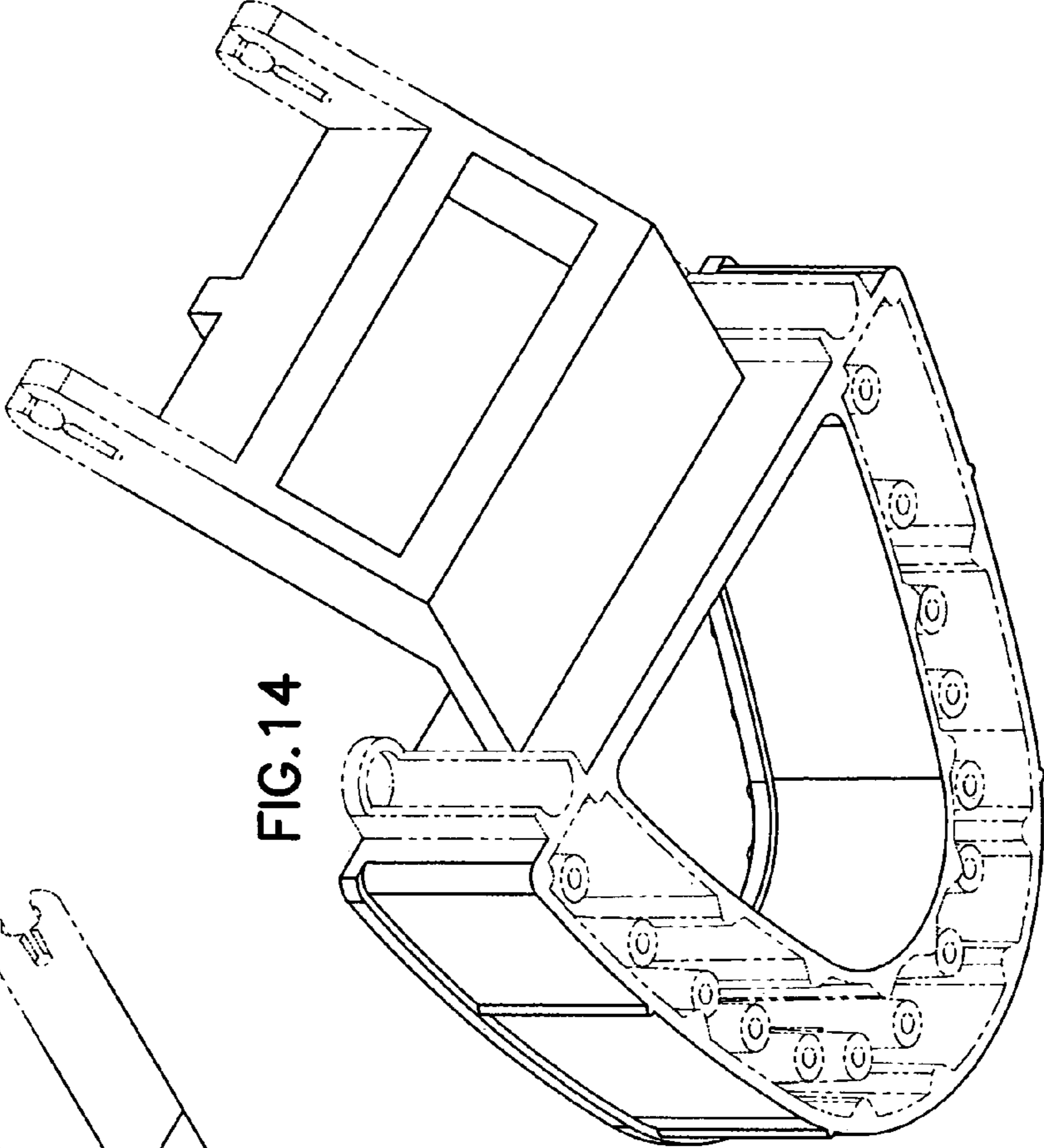


FIG.14



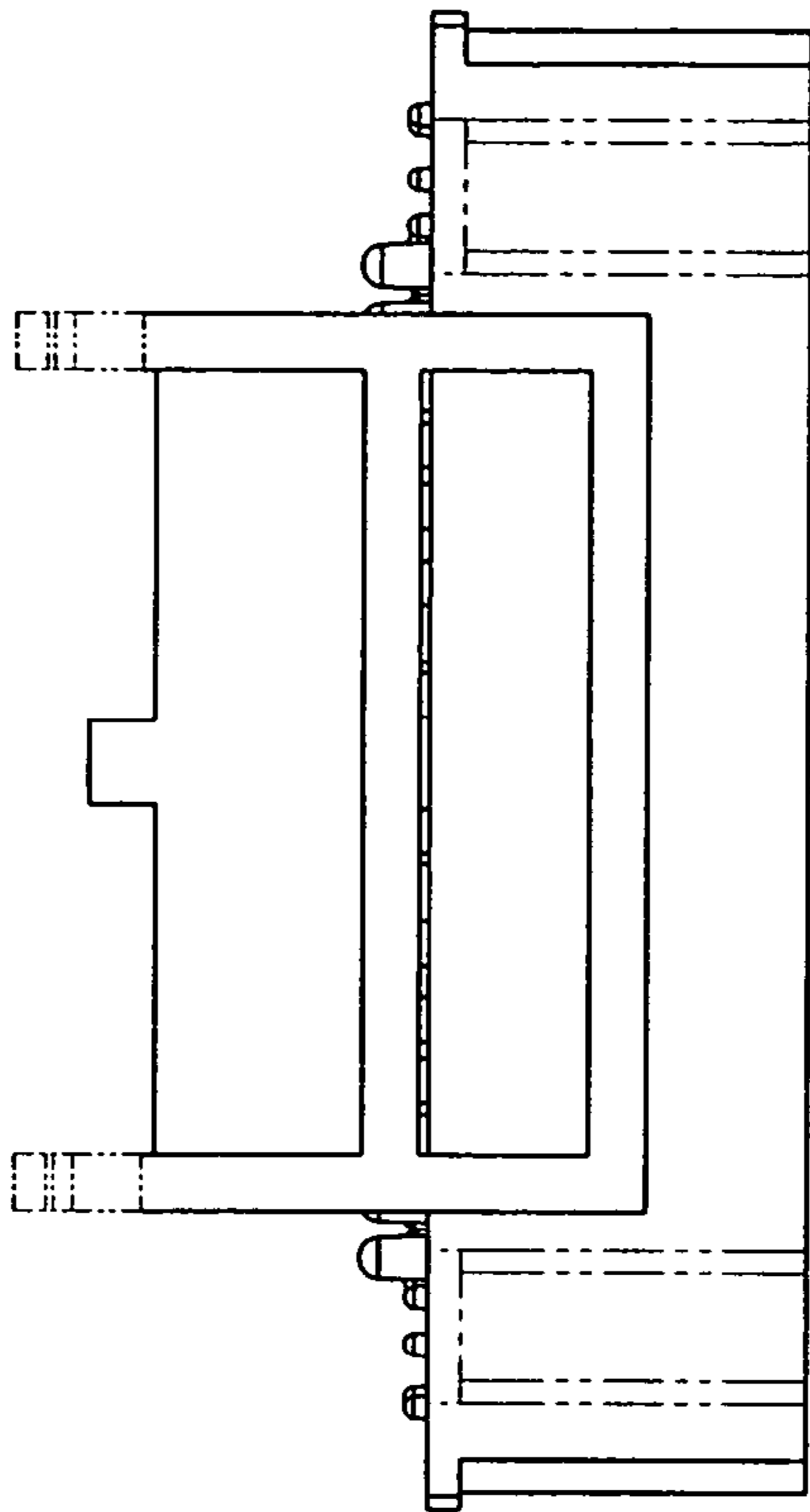


FIG. 15

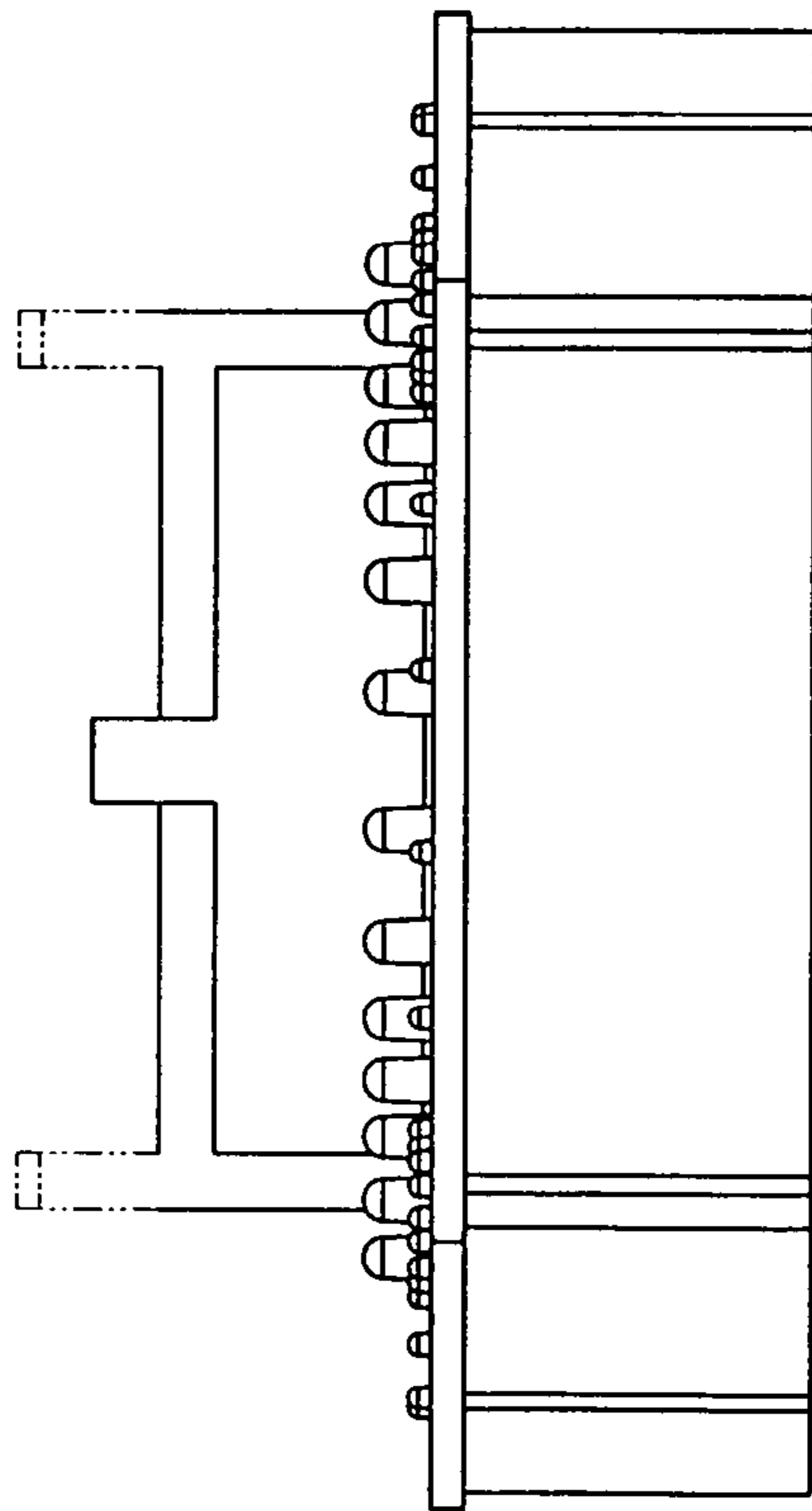


FIG. 16

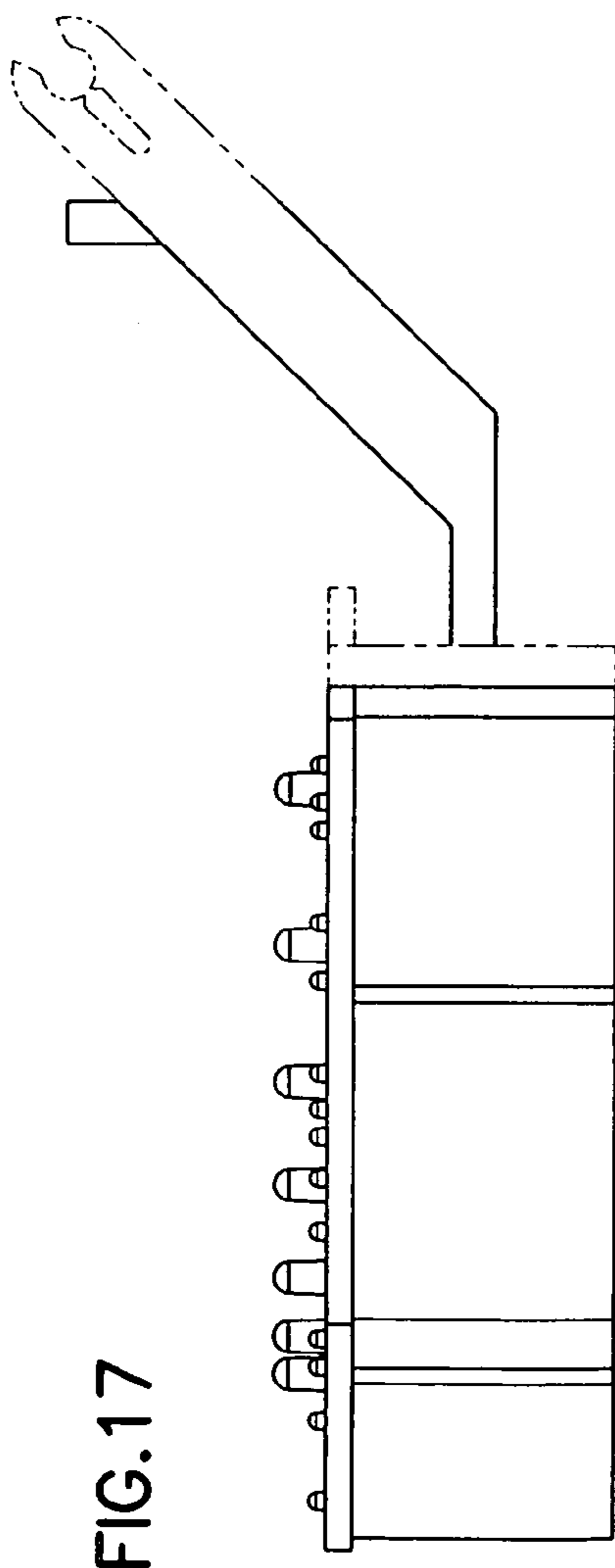


FIG. 17

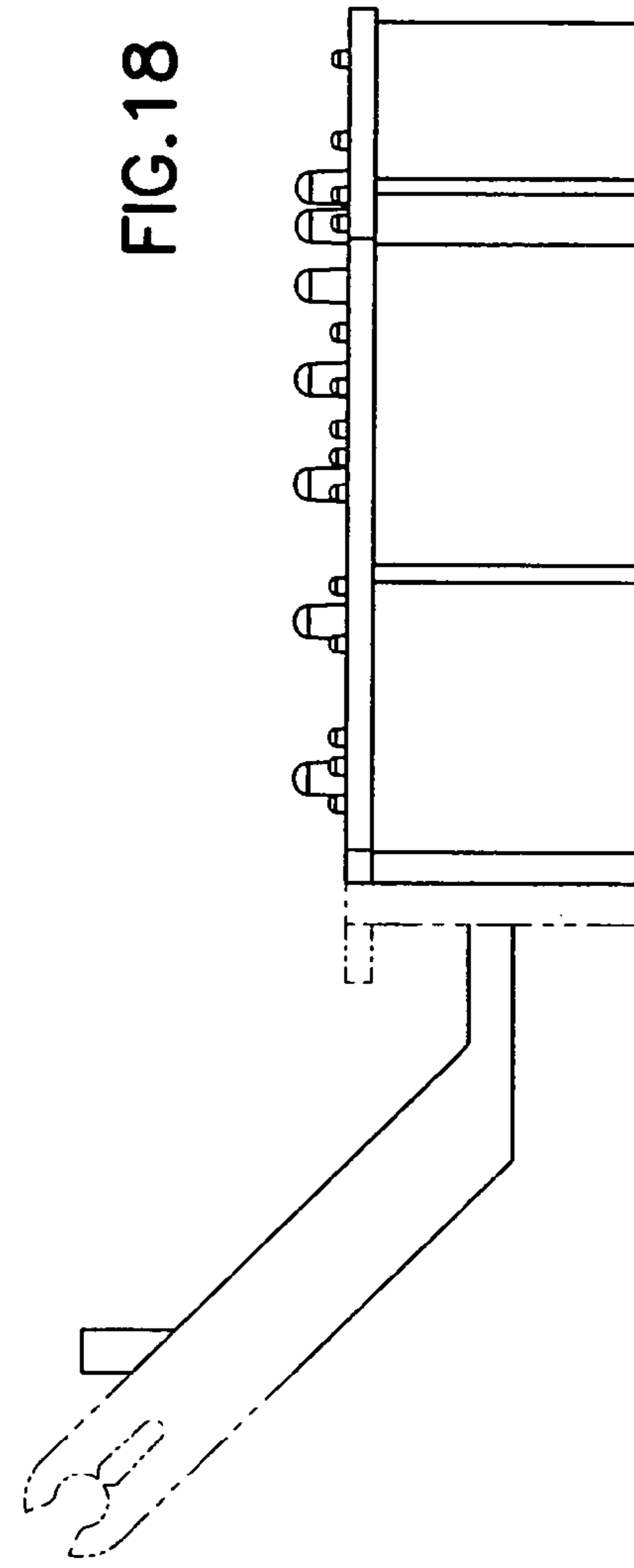


FIG. 18

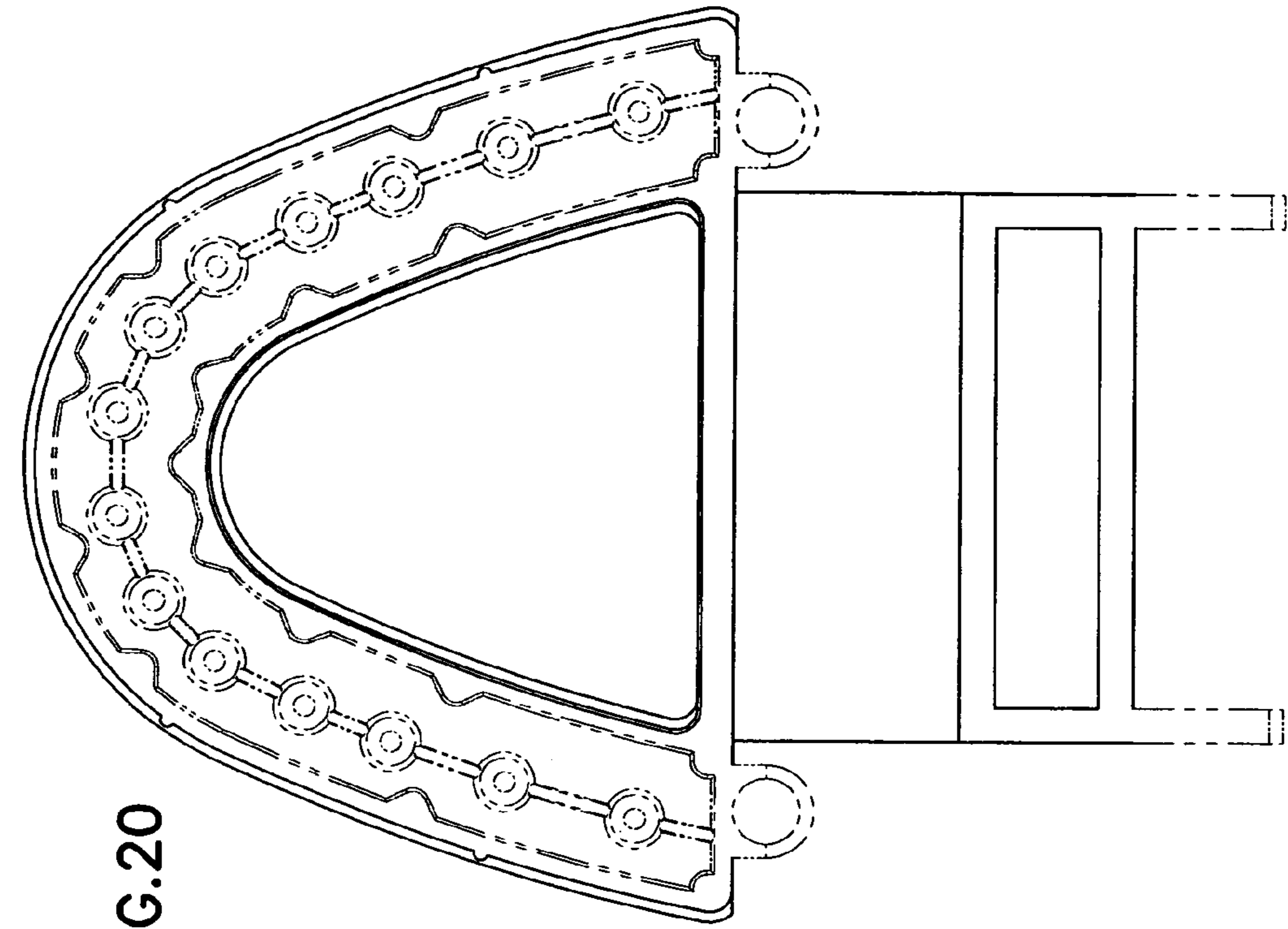


FIG. 20

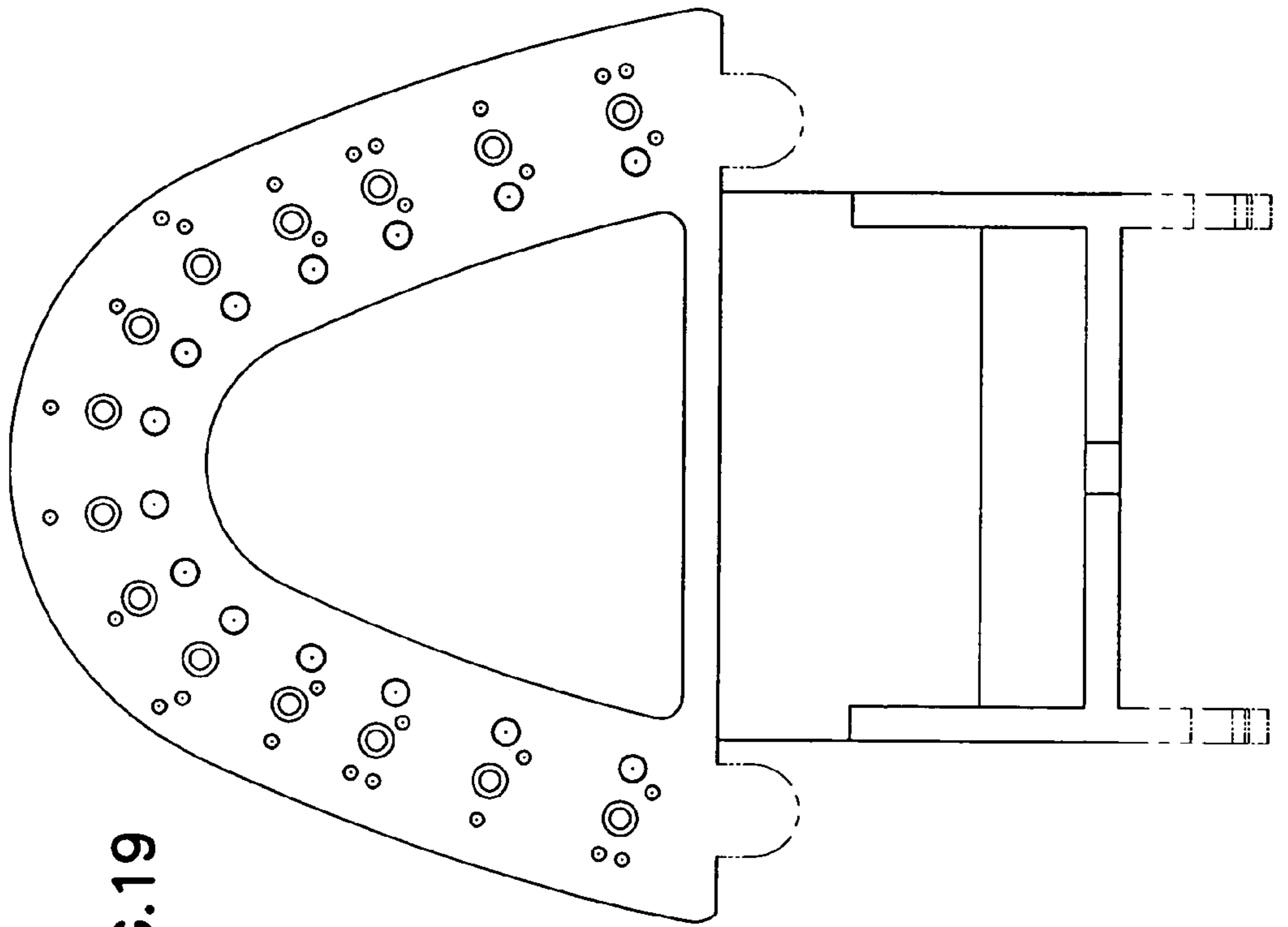


FIG. 19