



US00D576733S

(12) **United States Design Patent**
Huffman

(10) **Patent No.:** **US D576,733 S**
(45) **Date of Patent:** **** Sep. 9, 2008**

(54) **ARCH DENTAL ARTICULATOR PIN LOCATOR**

(76) Inventor: **Ronald E. Huffman**, P.O. Box 68440, Oro Valley, AZ (US) 85704

(**) Term: **14 Years**

(21) Appl. No.: **29/256,971**

(22) Filed: **Mar. 28, 2006**

(51) **LOC (8) Cl.** **24-02**

(52) **U.S. Cl.** **D24/182**

(58) **Field of Classification Search** D24/155-157, D24/133, 107, 181, 182; D29/108; 128/848, 128/859; 602/902; 623/1.13-1.17, 17.16, 623/44, 16.11, 17.11; 604/1.02; 433/141.2, 433/121; 81/119

See application file for complete search history.

(56) **References Cited**

U.S. PATENT DOCUMENTS

603,803	A	5/1898	White
921,791	A	5/1909	Benson
967,086	A	8/1910	Tuttle
1,013,028	A	12/1911	Lee
1,314,223	A	8/1919	Sorensen
1,745,570	A	2/1930	Dimelow
1,772,027	A	5/1930	Baumgarten
1,780,117	A	10/1930	Craigo

(Continued)

FOREIGN PATENT DOCUMENTS

DE 3 436 094 A1 3/1985

(Continued)

OTHER PUBLICATIONS

U.S. Appl. No. 29/216,696, filed on Nov. 5, 2004.

(Continued)

Primary Examiner—Charles A Rademaker
(74) *Attorney, Agent, or Firm*—Merchant & Gould P.C.

(57) **CLAIM**

The ornamental design for an arch dental articulator pin locator, as shown and described.

DESCRIPTION

FIG. 1 is a top and front top perspective view of an arch dental articulator pin locator showing my new design;

FIG. 2 is a top and rear perspective view thereof;

FIG. 3 is a bottom and front perspective view thereof;

FIG. 4 is a bottom and rear perspective view thereof;

FIG. 5 is a left side elevation thereof;

FIG. 6 is a right side elevation thereof;

FIG. 7 is a top plan view thereof;

FIG. 8 is a bottom plan view thereof;

FIG. 9 is a front elevation thereof;

FIG. 10 is a rear elevation thereof;

FIG. 11 is a top and front top perspective view of a modified embodiment of the design shown in FIGS. 1 through 10;

FIG. 12 is a top and rear perspective view thereof;

FIG. 13 is a bottom and front perspective view thereof;

FIG. 14 is a bottom and rear perspective view thereof;

FIG. 15 is a left side elevation thereof;

FIG. 16 is a right side elevation thereof;

FIG. 17 is a top plan view thereof;

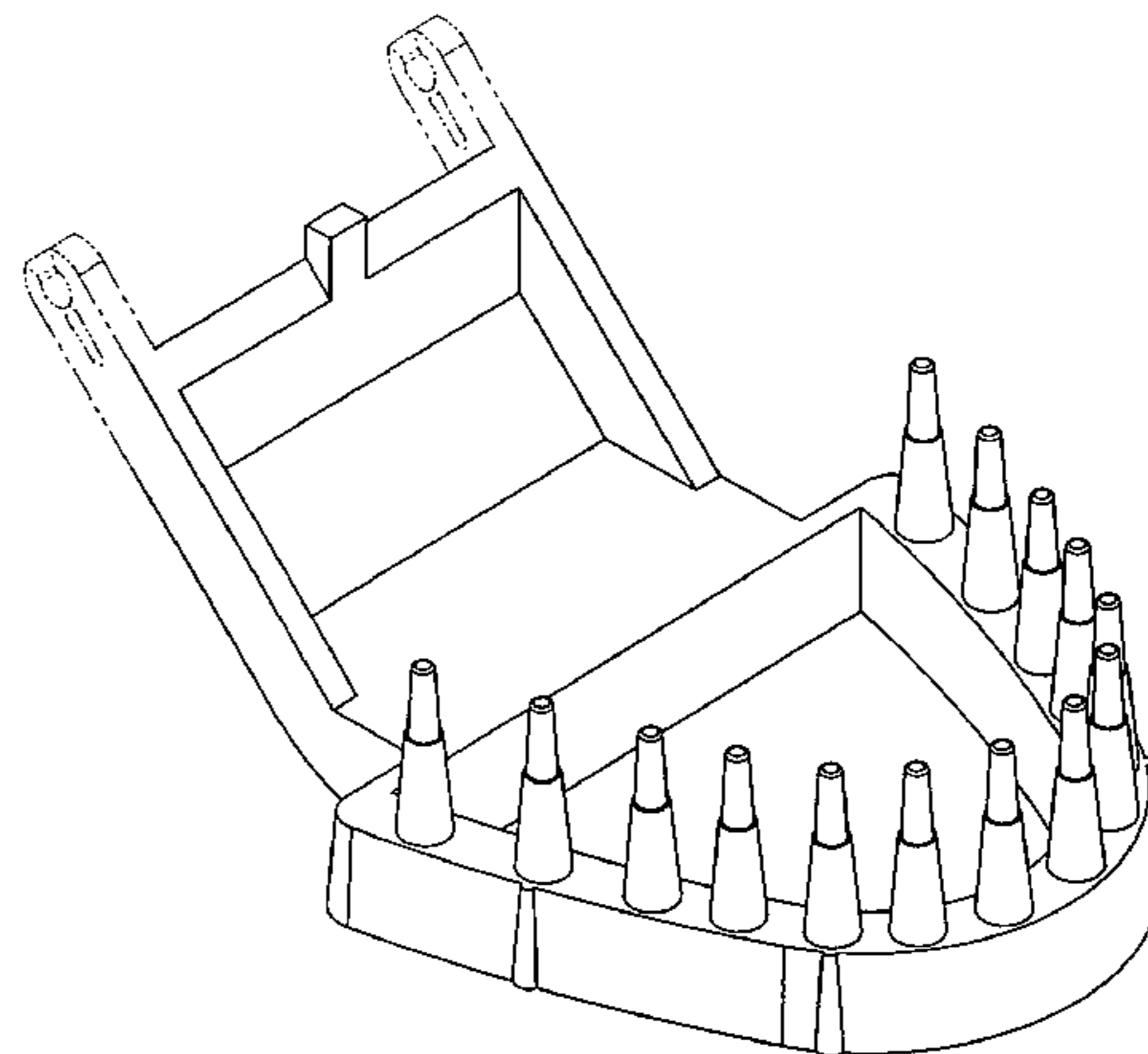
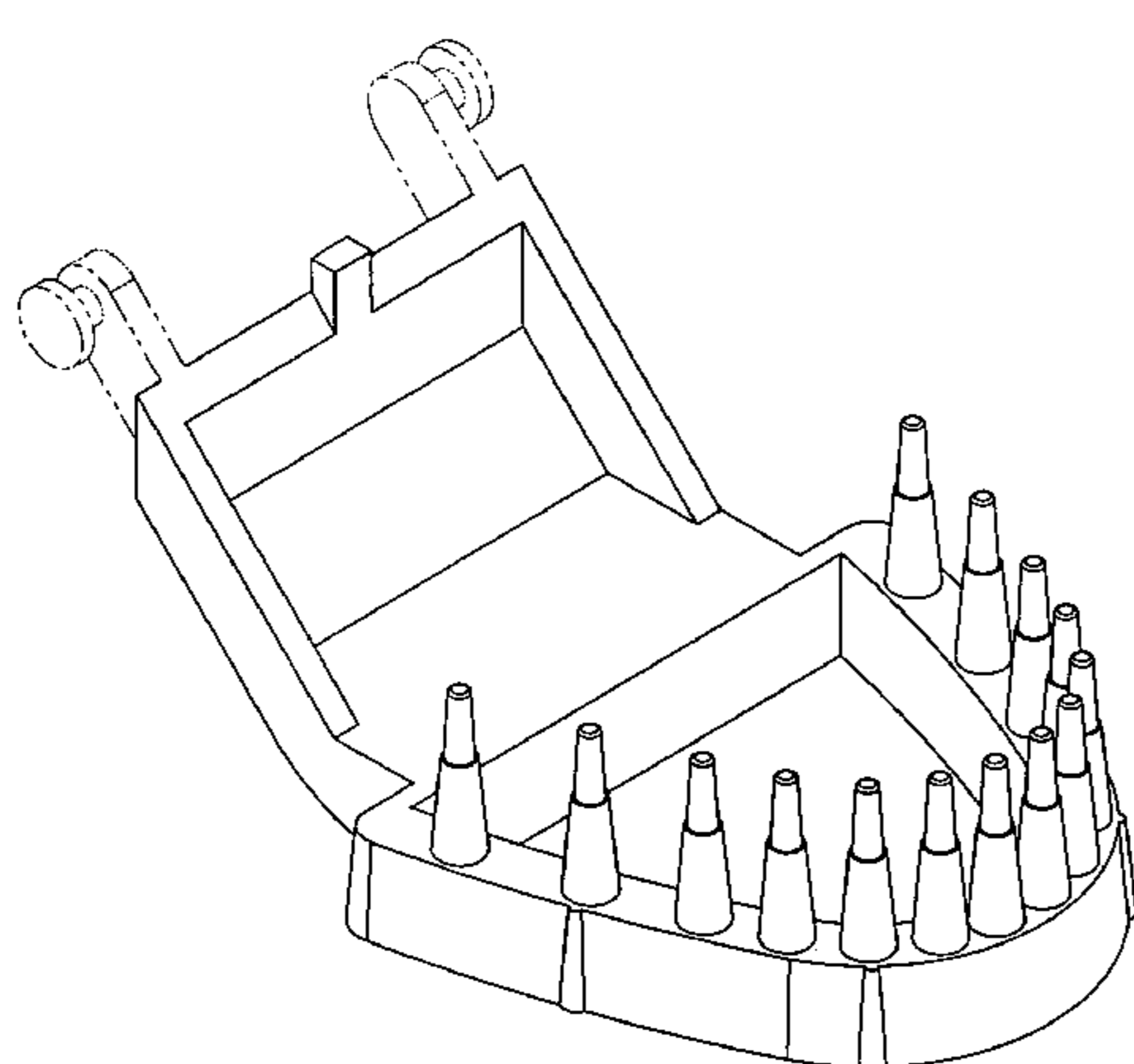
FIG. 18 is a bottom plan view thereof;

FIG. 19 is a front elevation thereof; and,

FIG. 20 is a rear elevation thereof.

The broken lines showing of portions of the claimed design and the modified embodiment thereof are included for the purpose of illustrating environmental structures and form no part of the claimed design.

1 Claim, 10 Drawing Sheets



US D576,733 S

U.S. PATENT DOCUMENTS				
		4,708,648 A	11/1987	Weissman
		4,708,835 A	11/1987	Kiefer
2,031,996 A	2/1936	4,721,464 A	1/1988	Roden et al.
2,037,344 A	4/1936	4,734,033 A	3/1988	Huffman
2,234,411 A	3/1941	D295,314 S	4/1988	Kwok
2,376,384 A	5/1945	4,767,330 A	8/1988	Burger
2,398,671 A	4/1946	4,767,331 A	8/1988	Hoe
2,577,420 A	12/1951	4,786,253 A	11/1988	Morais
2,585,857 A	2/1952	4,834,651 A	5/1989	Fenick
2,613,440 A	10/1952	4,842,242 A	6/1989	Huffman
2,621,407 A	12/1952	D302,456 S	7/1989	Huffman
2,669,780 A	2/1954	D302,587 S	8/1989	Huffman
2,842,845 A	7/1958	D302,724 S	8/1989	Huffman
2,963,786 A	12/1960	D302,725 S	8/1989	Huffman
3,150,448 A	9/1964	4,865,546 A	9/1989	Naylor
3,453,736 A	7/1969	RE33,099 E	10/1989	Shoher et al.
3,461,562 A	8/1969	4,886,453 A	12/1989	Ludwigs
3,478,428 A	11/1969	D305,361 S	1/1990	Huffman
3,510,947 A	5/1970	D305,362 S	1/1990	Huffman
3,518,761 A	7/1970	D306,206 S	2/1990	Huffman
3,581,398 A	6/1971	4,898,359 A	2/1990	Gopon
3,650,032 A	3/1972	4,917,347 A	4/1990	Fenick
3,753,291 A	8/1973	RE33,271 E	7/1990	Shoher et al.
3,832,777 A	9/1974	4,940,409 A	7/1990	Nordin
3,913,230 A	10/1975	4,980,124 A	12/1990	Dimmer
3,934,348 A	1/1976	D315,209 S	3/1991	Mann
3,937,773 A	2/1976	D315,955 S	4/1991	Mann
3,947,964 A *	4/1976	5,015,182 A	5/1991	Newberry
3,969,820 A	7/1976	5,028,235 A	7/1991	Smith
4,021,916 A	5/1977	5,044,949 A	9/1991	Xanthopoulos
4,022,419 A	5/1977	5,049,075 A	9/1991	Barrut
4,116,416 A	9/1978	5,076,789 A	12/1991	Tanaka
4,122,606 A	10/1978	D323,559 S	1/1992	Shafer
4,127,939 A	12/1978	5,098,290 A	3/1992	Honstein et al.
4,174,570 A	11/1979	5,100,317 A	3/1992	Darnand
4,203,219 A	5/1980	5,197,874 A	3/1993	Silva et al.
4,229,167 A	10/1980	5,207,574 A	5/1993	Garland
4,240,605 A	12/1980	5,352,117 A	10/1994	Silva
4,242,812 A	1/1981	5,393,227 A	2/1995	Nooning
4,265,619 A	5/1981	5,403,185 A	4/1995	Presswood
4,283,173 A	8/1981	5,466,152 A	11/1995	Walter
4,301,357 A	11/1981	5,470,231 A	11/1995	Stern
4,319,875 A	3/1982	5,501,600 A	3/1996	Johnson
4,359,464 A	11/1982	5,586,884 A	12/1996	Kraus
4,371,339 A	2/1983	5,622,497 A	4/1997	Cho
4,378,929 A	4/1983	5,722,828 A *	3/1998	Halstrom 433/69
4,382,787 A	5/1983	5,766,007 A	6/1998	Huffman
4,398,884 A	8/1983	5,769,634 A	6/1998	Choi
4,403,961 A	9/1983	5,775,899 A	7/1998	Huffman
4,436,511 A	3/1984	5,788,489 A	8/1998	Huffman
4,439,151 A	3/1984	5,788,490 A	8/1998	Huffman
4,443,192 A	4/1984	5,800,166 A	9/1998	Huffman
4,449,930 A	5/1984	5,807,099 A	9/1998	Johnson
4,449,931 A	5/1984	5,868,138 A *	2/1999	Halstrom 128/848
4,459,110 A	7/1984	5,868,569 A	2/1999	Huffman
4,473,353 A	9/1984	D408,919 S *	4/1999	Cooley D24/181
4,481,162 A	11/1984	5,934,901 A	8/1999	Huffman
4,494,934 A	1/1985	5,970,981 A *	10/1999	Ochel 128/859
4,504,226 A	3/1985	5,996,963 A	12/1999	Michael
4,521,188 A	6/1985	6,033,221 A	3/2000	Tsubota et al.
4,533,323 A	8/1985	D429,815 S	8/2000	Huffman
4,538,987 A	9/1985	D430,672 S	9/2000	Huffman
4,548,581 A	10/1985	D433,136 S	10/2000	Huffman
D283,541 S	4/1986	D433,754 S	11/2000	Huffman
D283,542 S	4/1986	6,186,781 B1	2/2001	Iba
D283,639 S	4/1986	6,234,794 B1	5/2001	Ozaki
D283,730 S	5/1986	D443,363 S	6/2001	Huffman
4,608,016 A	8/1986	D444,559 S	7/2001	Huffman
D286,179 S	10/1986	D452,009 S	12/2001	Huffman
D286,436 S	10/1986	D452,010 S	12/2001	Huffman
4,645,454 A	2/1987	D452,319 S	12/2001	Huffman
D289,924 S	5/1987	D452,320 S	12/2001	Huffman
4,671,770 A	6/1987	D452,321 S	12/2001	Huffman

US D576,733 S

Page 3

D452,322 S	12/2001	Huffman	
D452,566 S	12/2001	Huffman	
D452,567 S	12/2001	Huffman	
D452,568 S	12/2001	Huffman	
D456,902 S	5/2002	Huffman	
D456,903 S	5/2002	Huffman	
D456,904 S	5/2002	Huffman	
D457,243 S	5/2002	Huffman	
D457,636 S	5/2002	Huffman	
D457,637 S	5/2002	Huffman	
D457,963 S	5/2002	Huffman	
D457,964 S	5/2002	Huffman	
D464,431 S	10/2002	Huffman	
D464,432 S	10/2002	Huffman	
D464,732 S	10/2002	Huffman	
D464,733 S	10/2002	Huffman	
D465,027 S	10/2002	Huffman	
6,471,513 B1	10/2002	Huffman	
D468,018 S	12/2002	Huffman	
D468,431 S	1/2003	Huffman	
D468,432 S	1/2003	Huffman	
D469,537 S	1/2003	Huffman	
6,511,318 B2	1/2003	Kim	
D481,797 S	11/2003	Huffman	
6,726,477 B2	4/2004	Gittleman	
D491,269 S	6/2004	Tucker et al.	
6,884,068 B2	4/2005	Huffman	
6,886,566 B2 *	5/2005	Eubank	128/859
7,044,734 B2	5/2006	Huffman	
D529,177 S	9/2006	Huffman	
7,108,507 B2	9/2006	Huffman	
D530,014 S	10/2006	Huffman	
7,156,660 B2	1/2007	Huffman	
D537,987 S *	3/2007	Manzo et al.	D29/108
7,210,931 B1 *	5/2007	Huffman	433/60
D547,452 S	7/2007	Costello	
D559,986 S	1/2008	Huffman	
2002/0102514 A1	8/2002	Huffman	
2004/0013998 A1	1/2004	Jung et al.	
2004/0029070 A1	2/2004	Huffman	
2004/0029071 A1	2/2004	Huffman	

2004/0096802 A1	5/2004	Gittleman
2004/0197729 A1	10/2004	Honstein et al.
2005/0064364 A1	3/2005	Huffman
2005/0064365 A1	3/2005	Huffman
2005/0064366 A1	3/2005	Huffman
2005/0106530 A1	5/2005	Huffman

FOREIGN PATENT DOCUMENTS

DE	3 505 680 A1	7/1985
DE	3 521 137 A1	12/1986
DE	3 825 014 A1	1/1990
DE	295 06 480 U1	8/1995
DE	296 13 916 U1	1/1998
DE	4 01 05 710.0	10/2001
EP	0 210 484 A2	2/1985
EP	0 151 086 A2	8/1985
EP	0 277 026 A2	8/1988
EP	0 291 821 A1	11/1988
EP	0 528 335 A1	2/1993
FR	2 750 851 A1	1/1998
FR	2 757 372 A1	6/1998
FR	2 770 994	5/1999
FR	653652TO653664	2/2002
GB	866118	4/1961
GB	886118	1/1962
GB	2102229 A	1/1983
GB	2105427	3/1983
GB	1014814	* 2/1984
GB	1053786	* 4/1989
GB	2075293	* 9/1998
JP	1175348	4/2003
JP	1178837	5/2003
WO	WO 88/10101	12/1988
WO	WO 97/16130	5/1997
WO	WO 01/01881 A2	1/2001

OTHER PUBLICATIONS

U.S. Appl. No. 29/216,697, filed on Nov. 5, 2004.

* cited by examiner

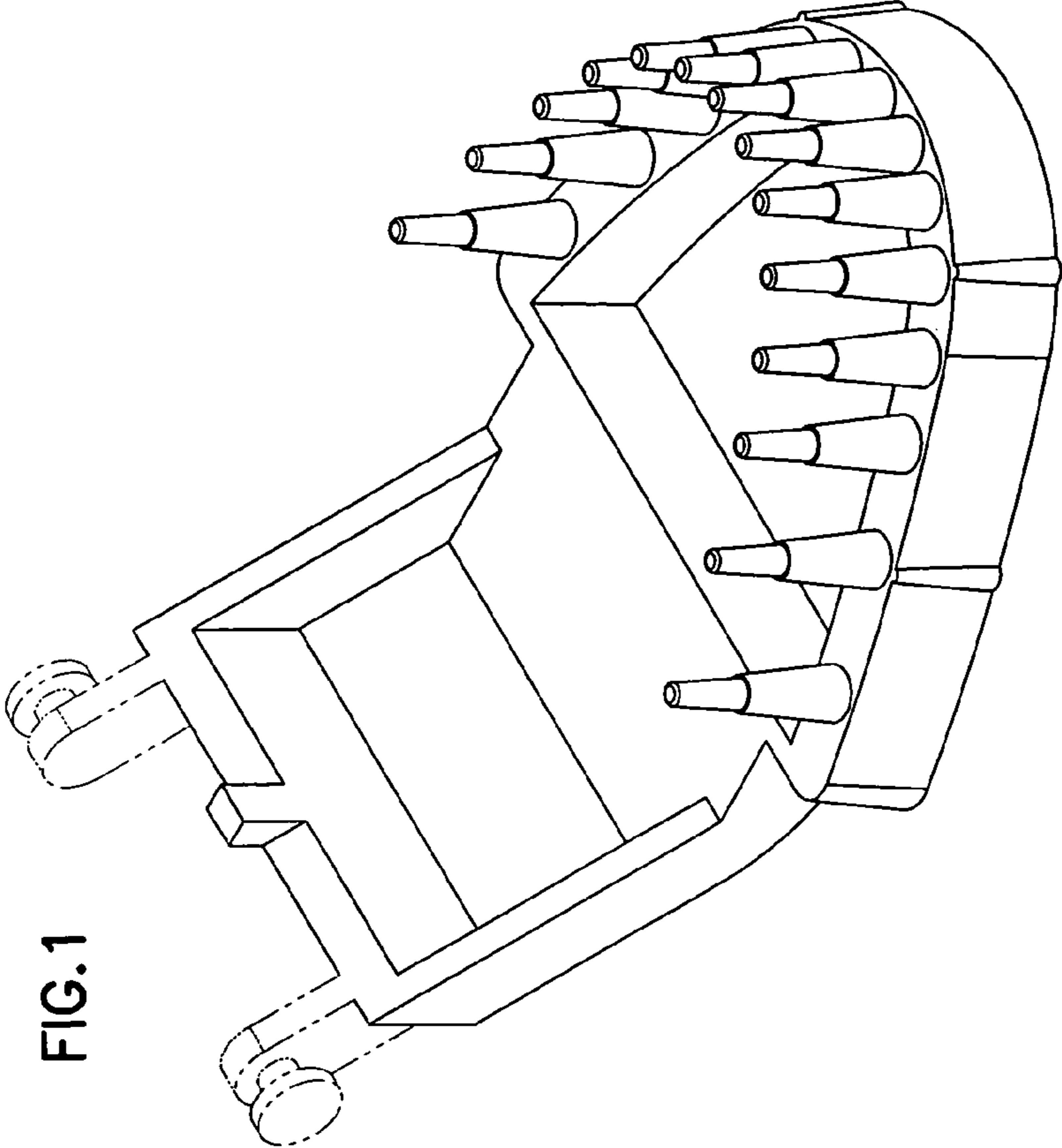


FIG. 1

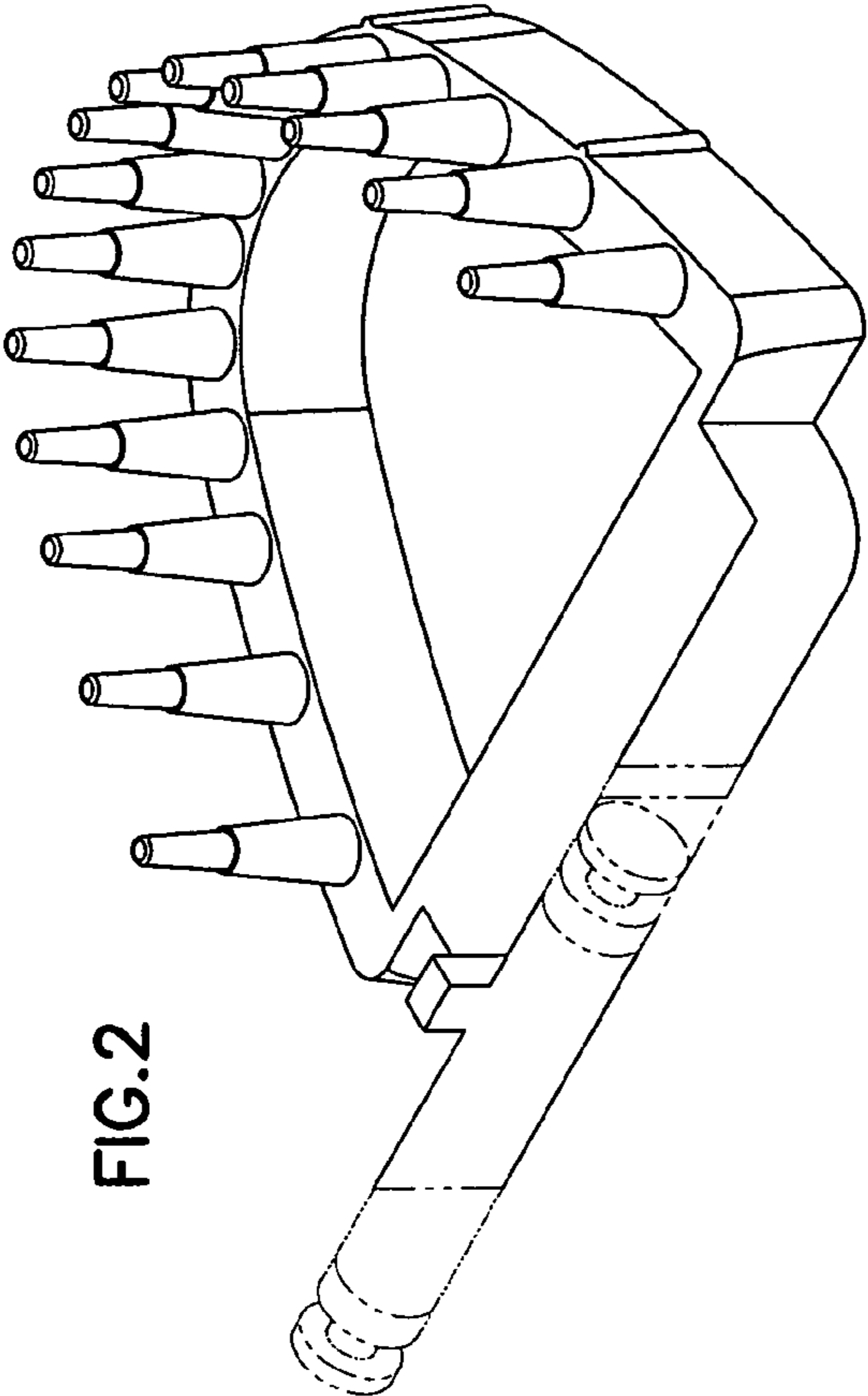


FIG. 2

FIG.4

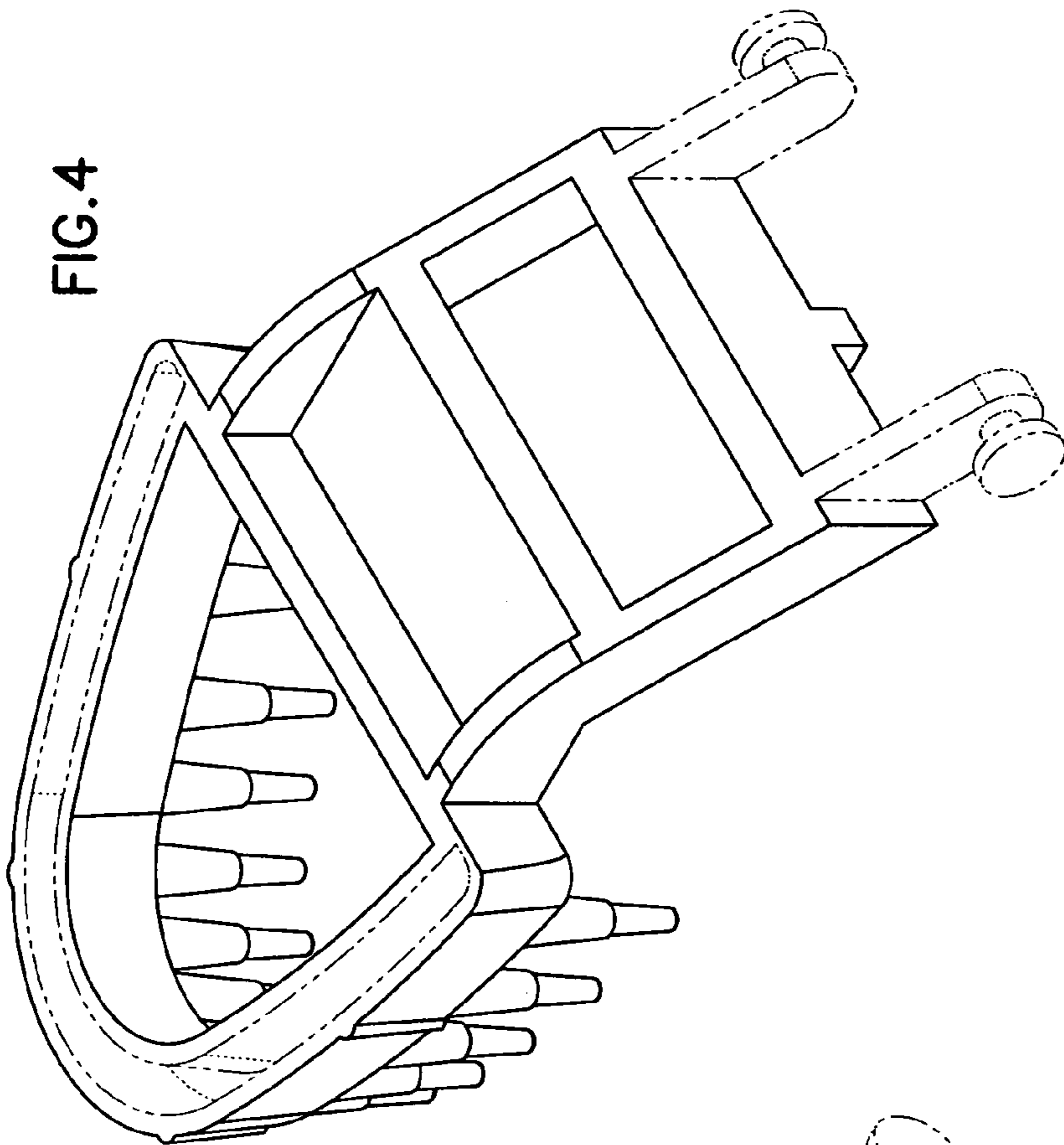
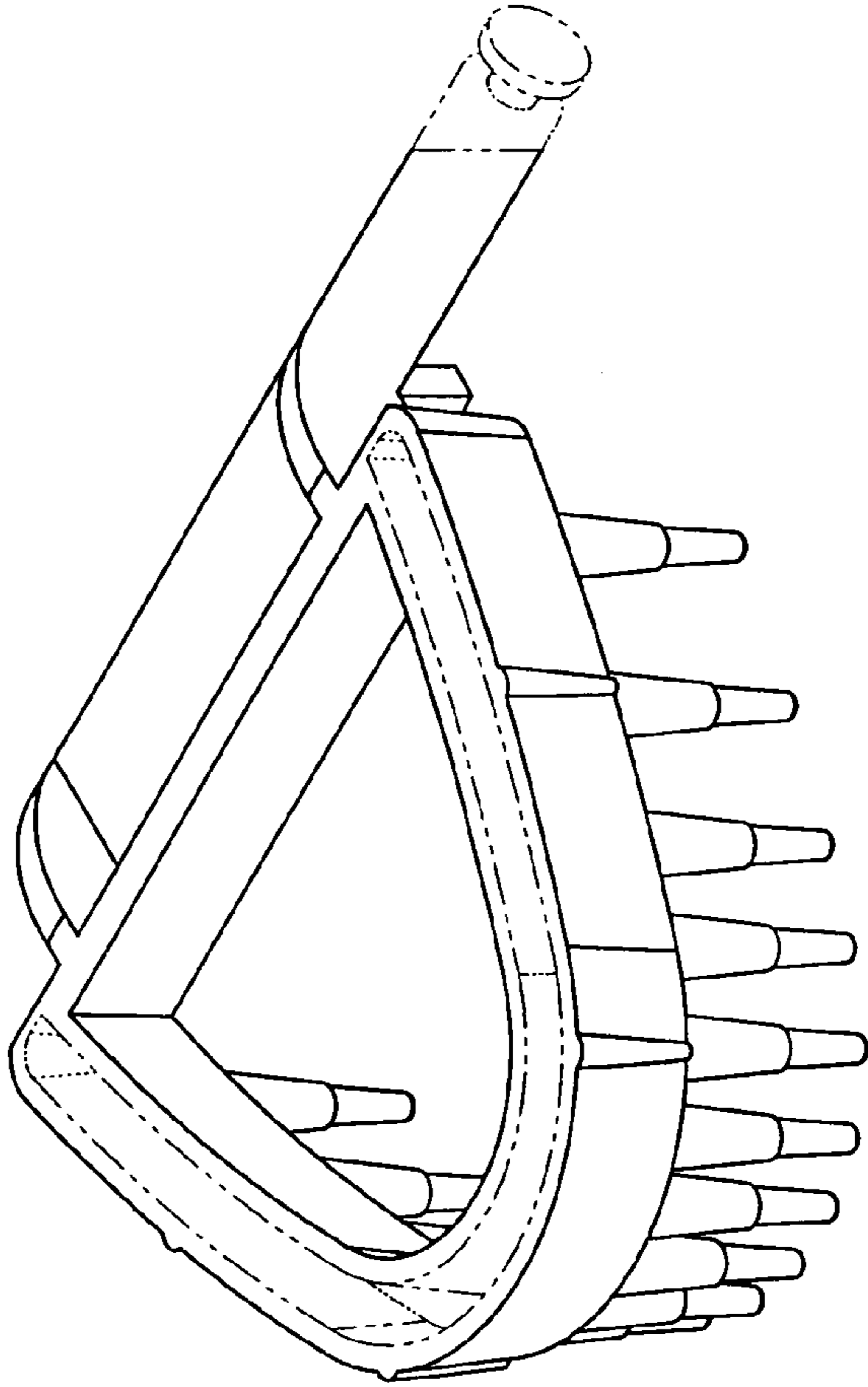


FIG.3



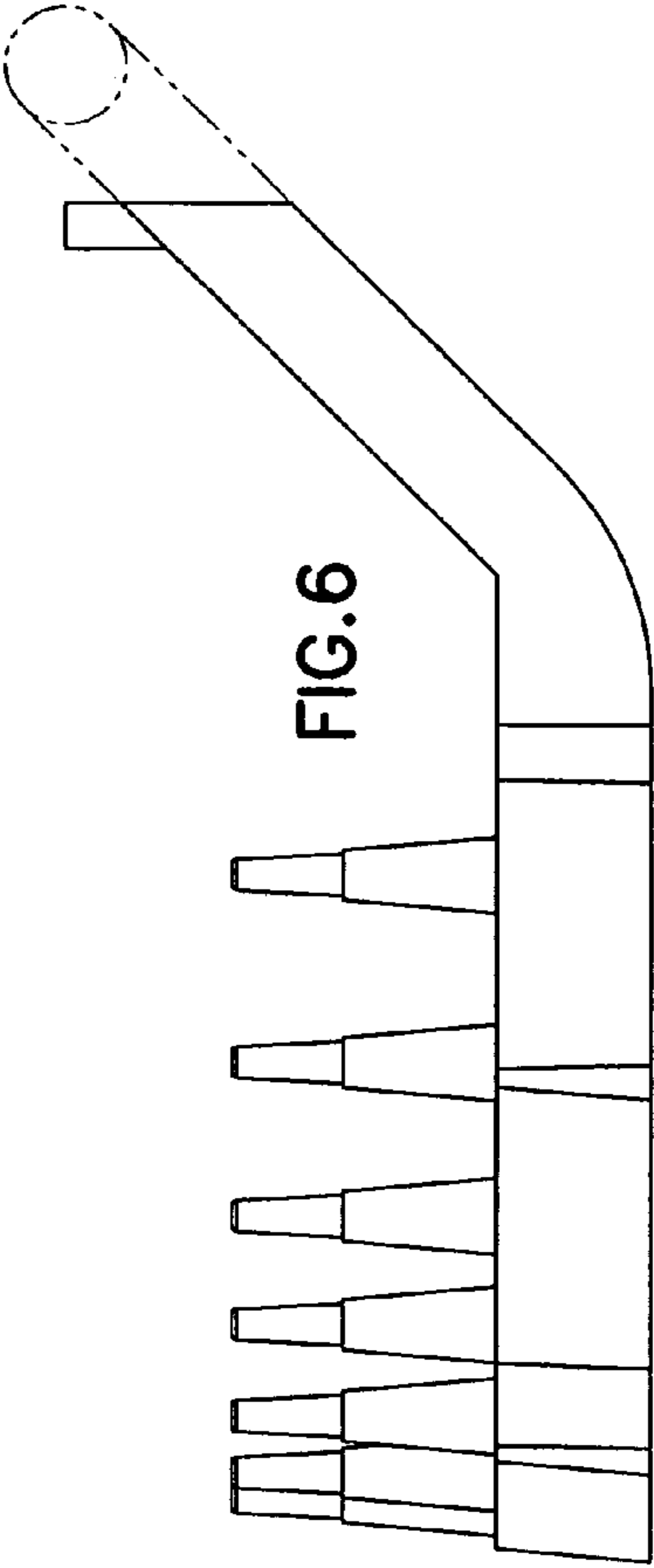
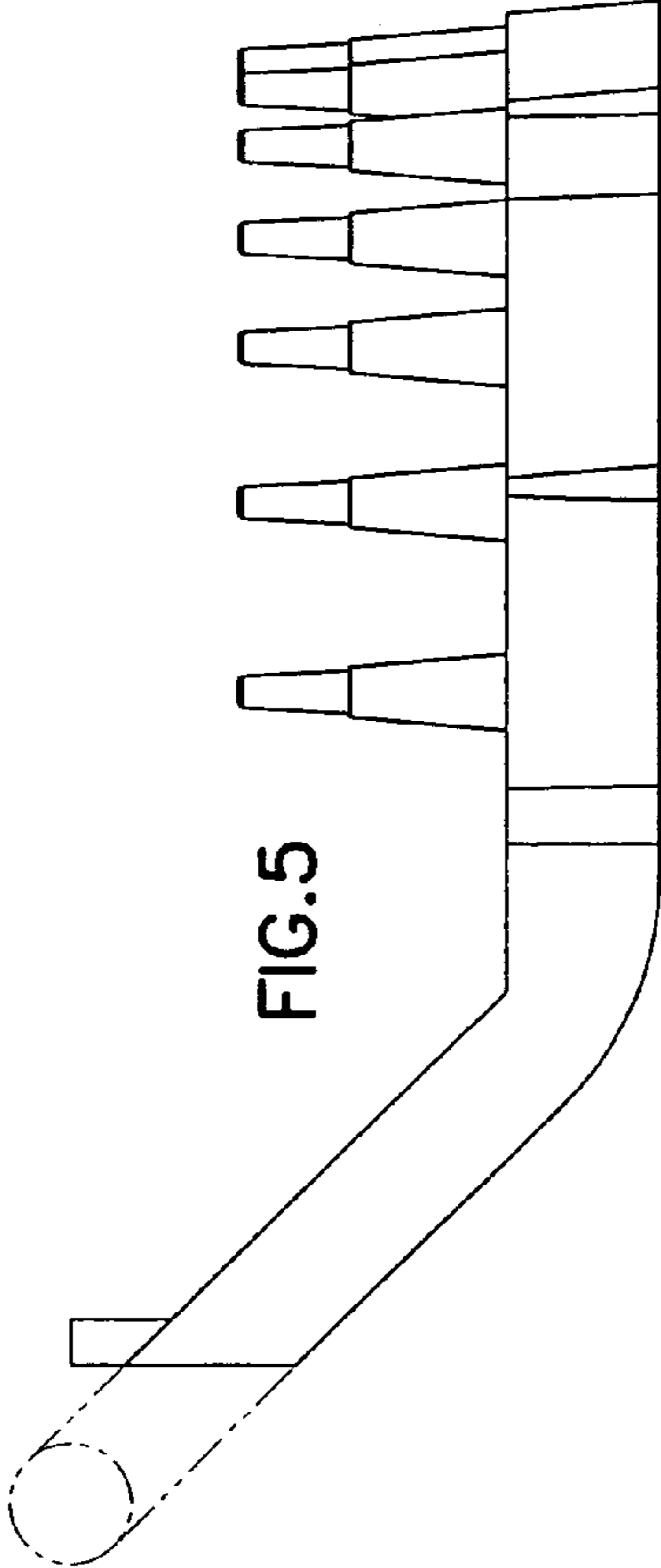


FIG.8

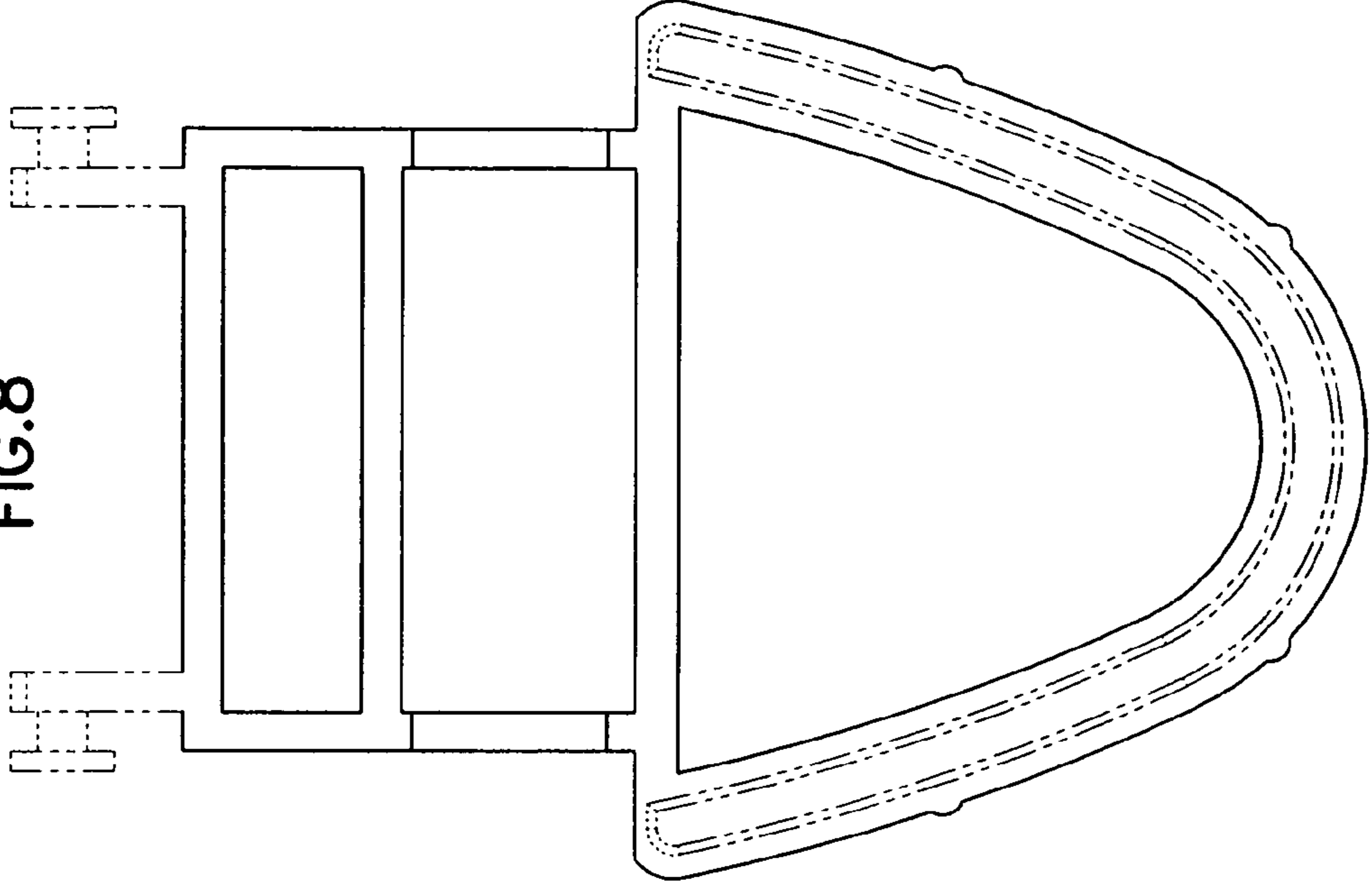
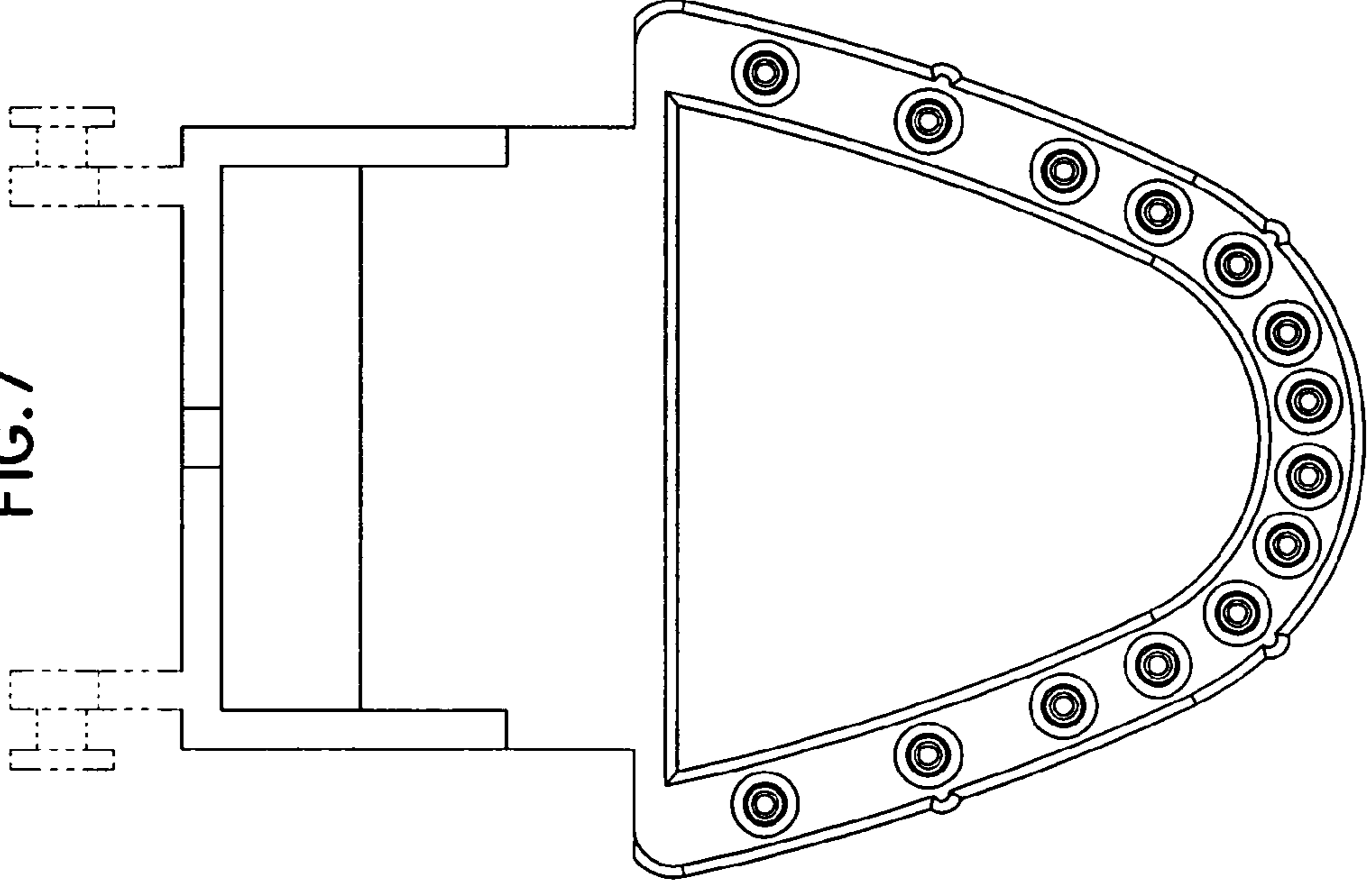


FIG.7



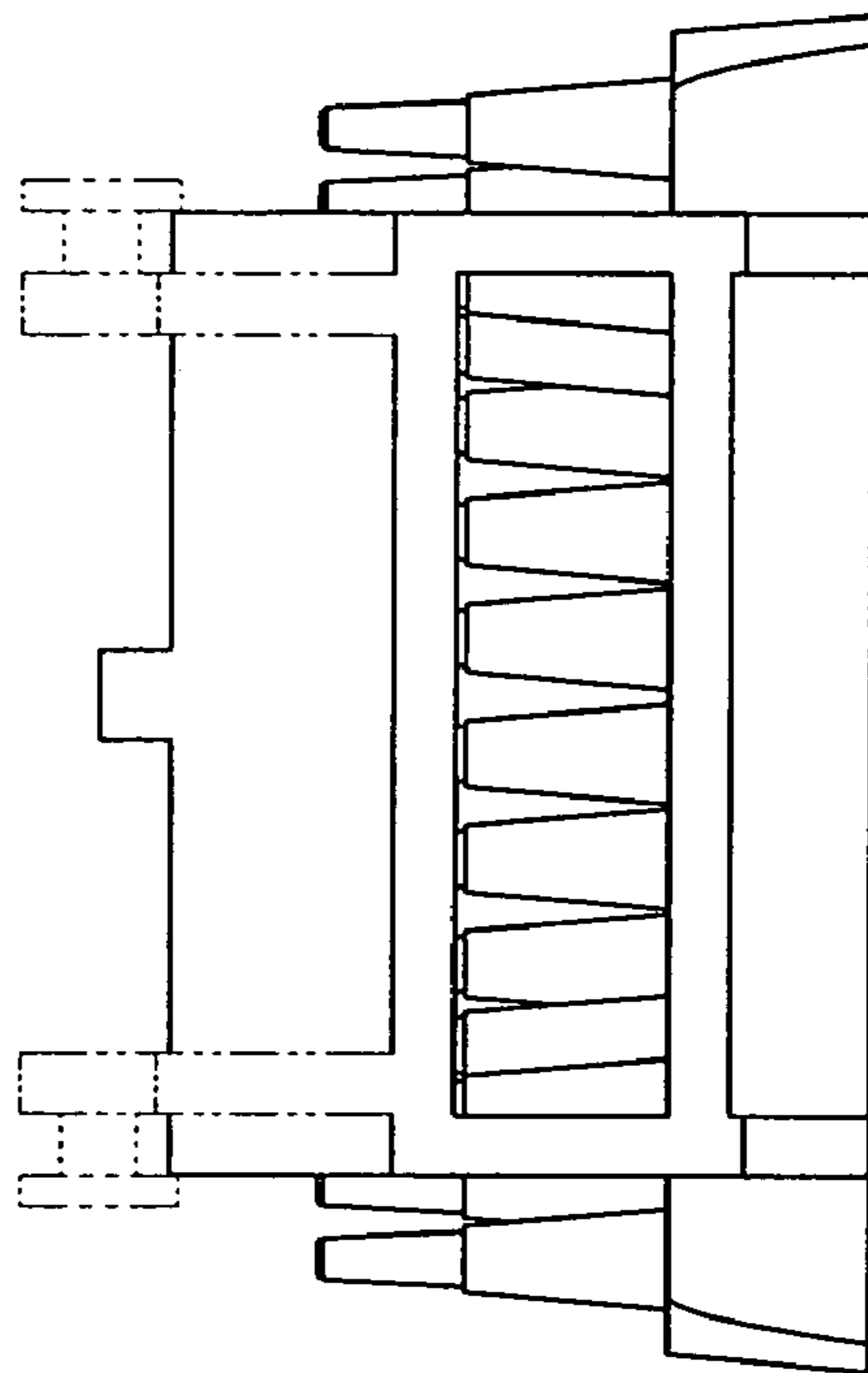


FIG.10

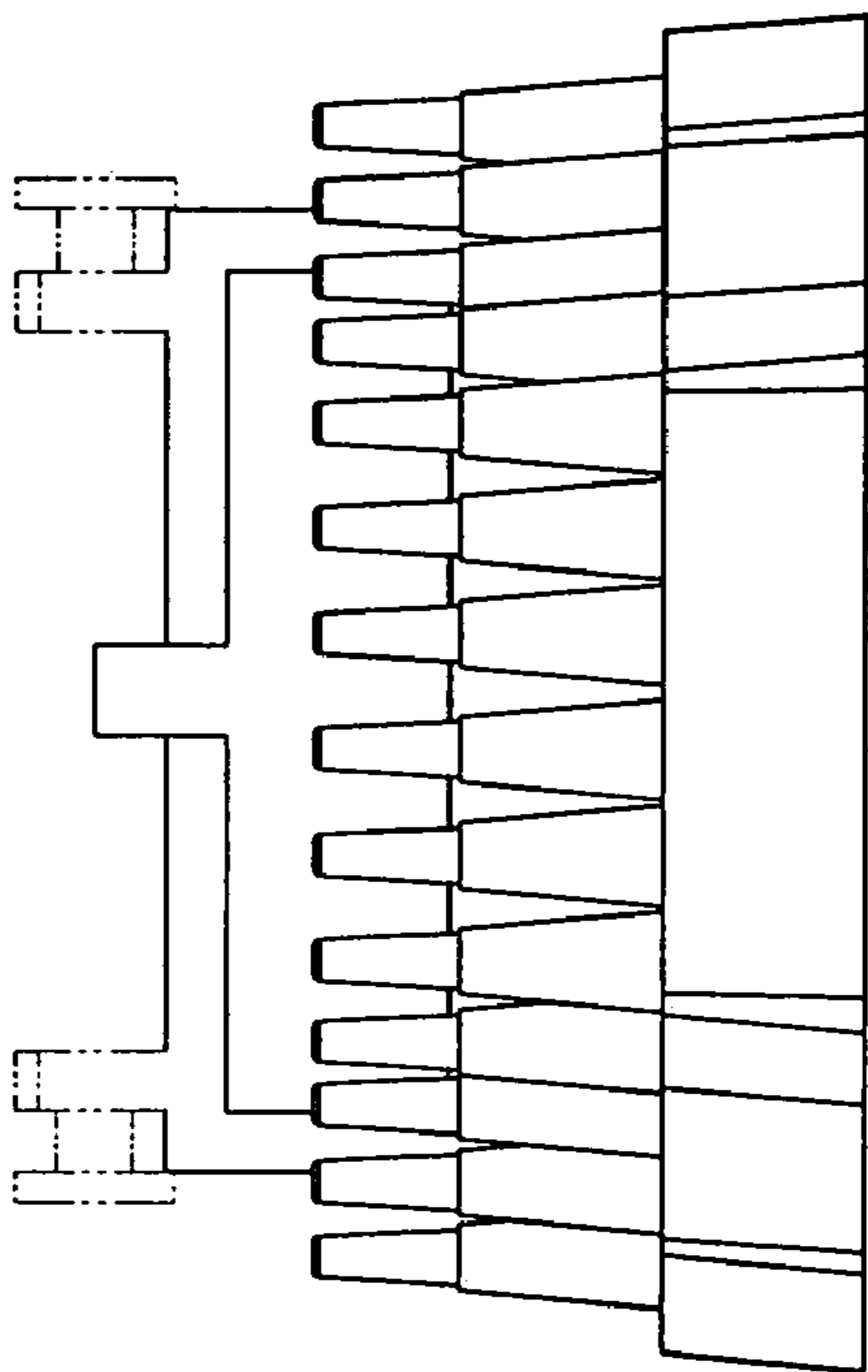


FIG.9

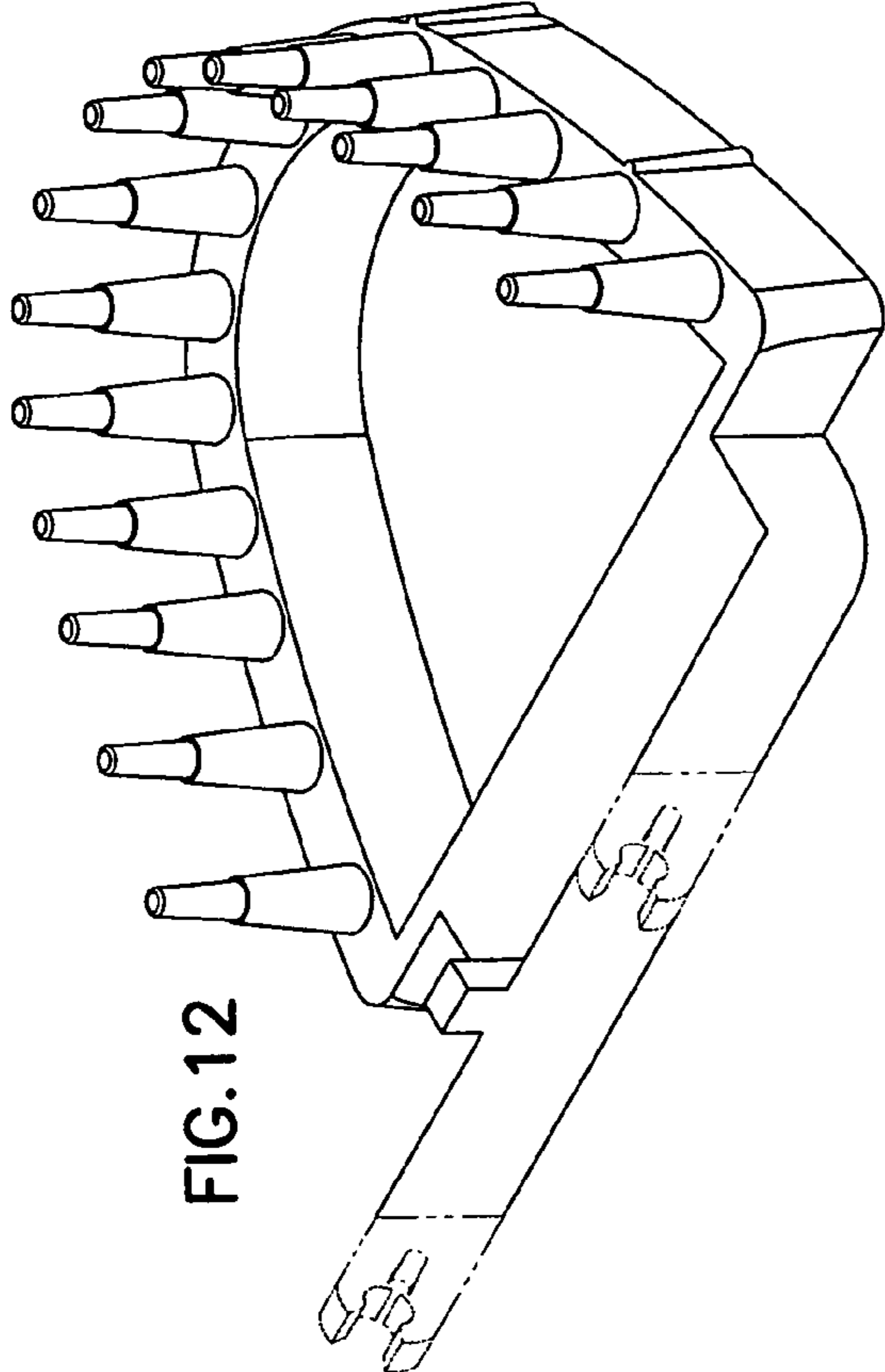


FIG. 12

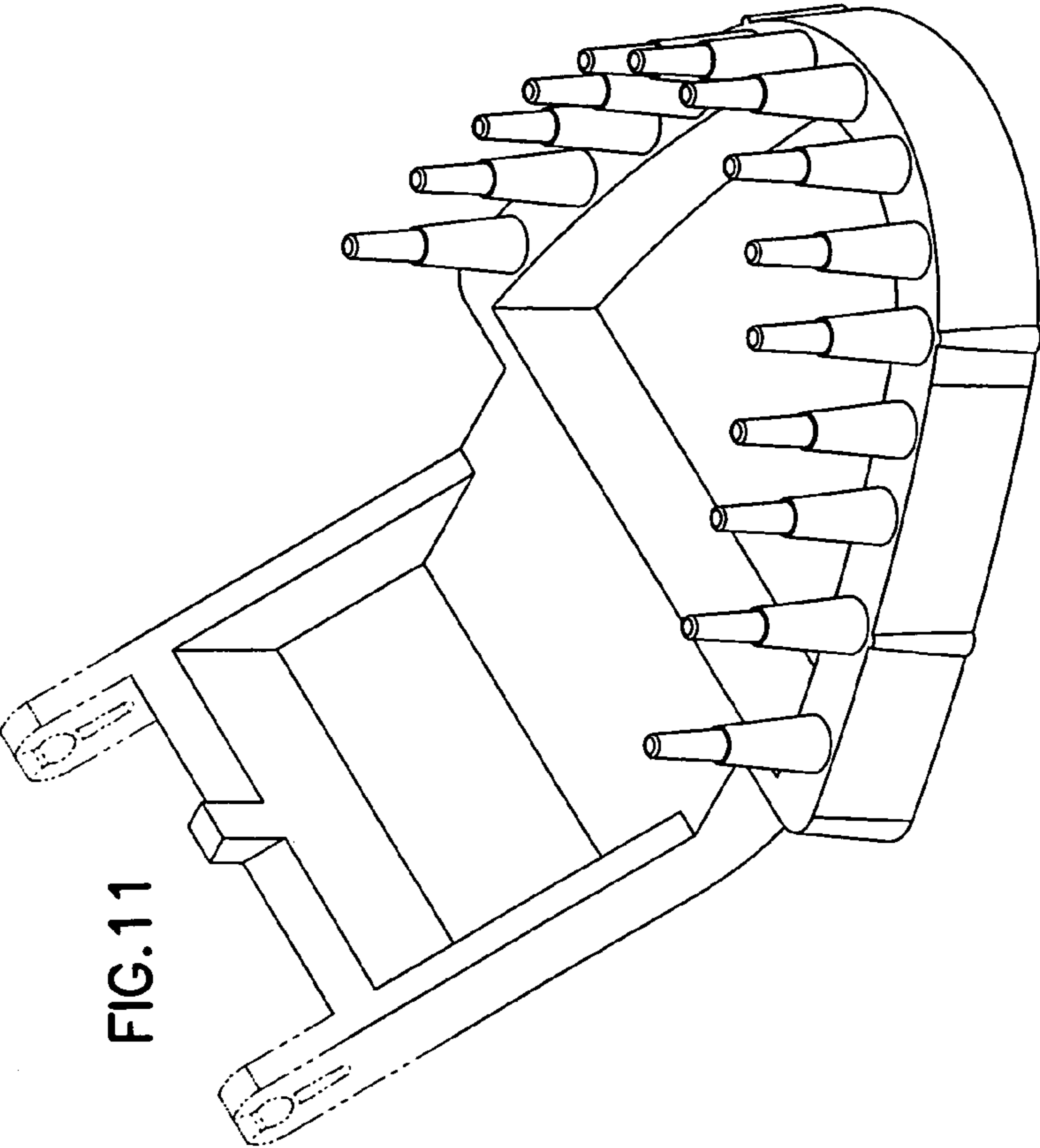


FIG. 11

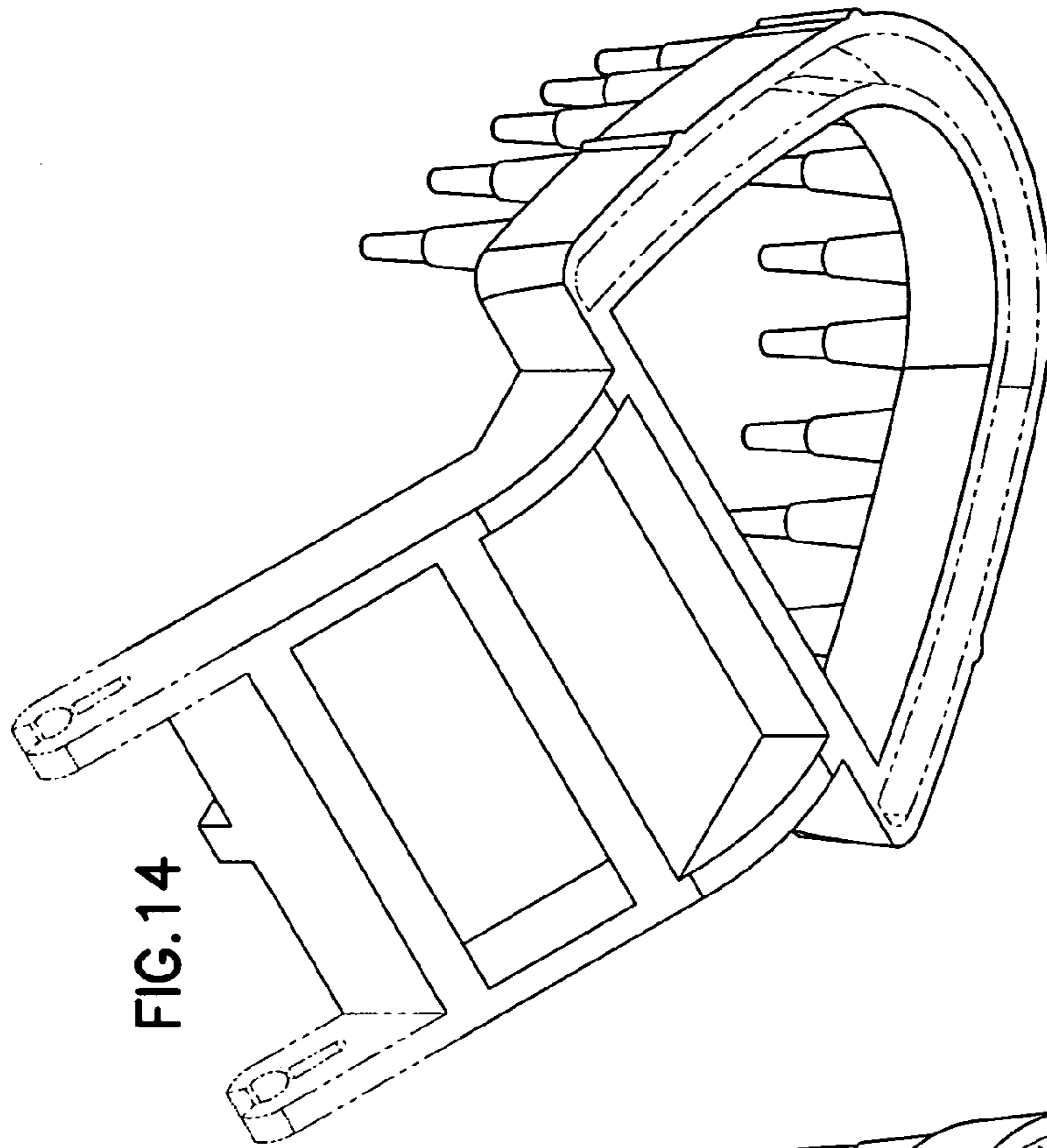


FIG. 14

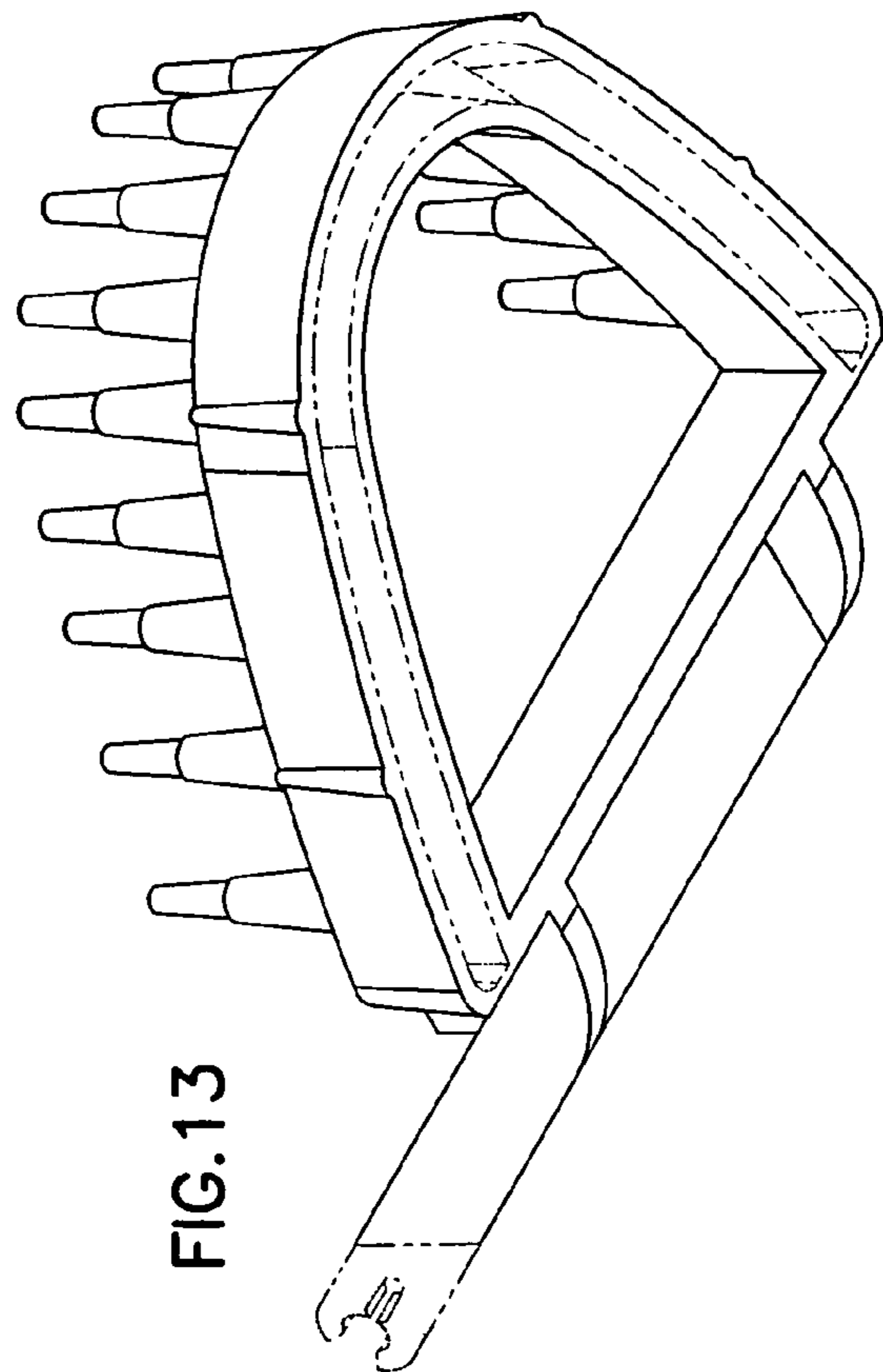


FIG. 13

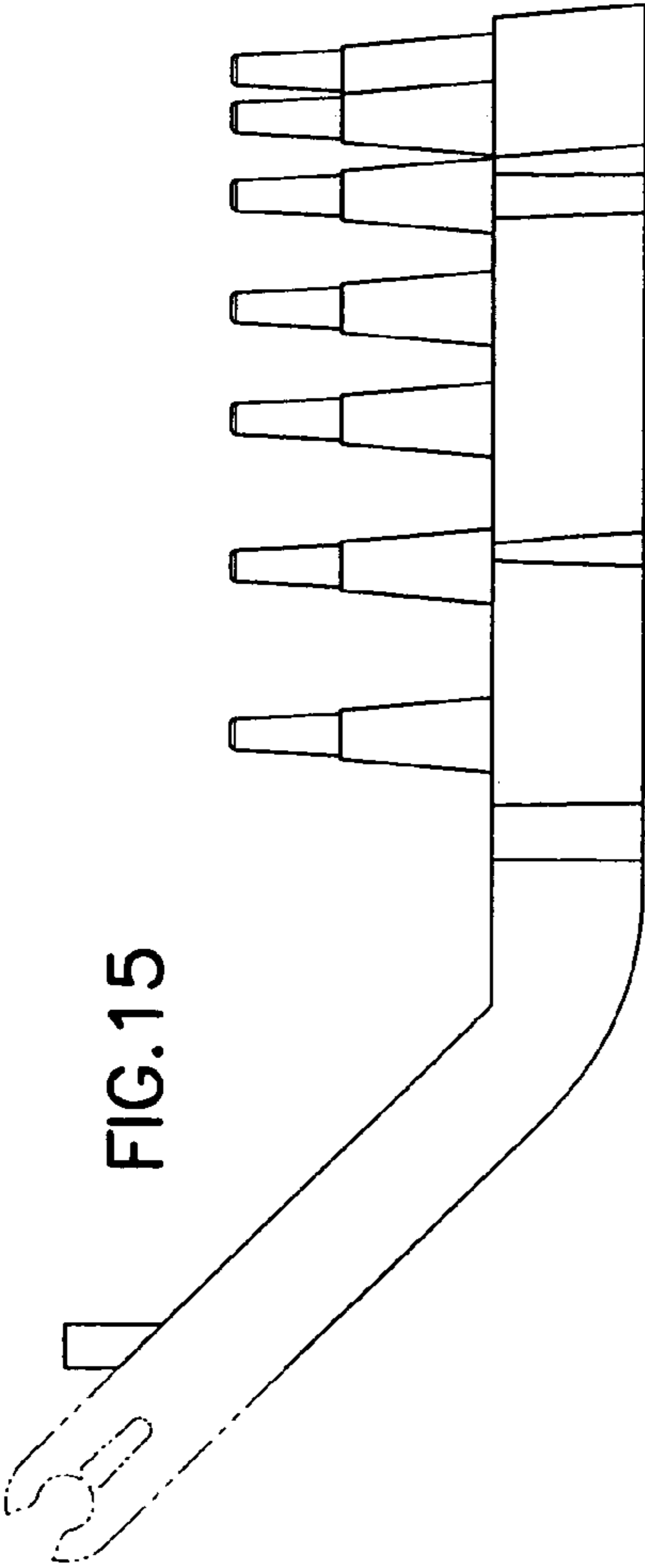


FIG. 15

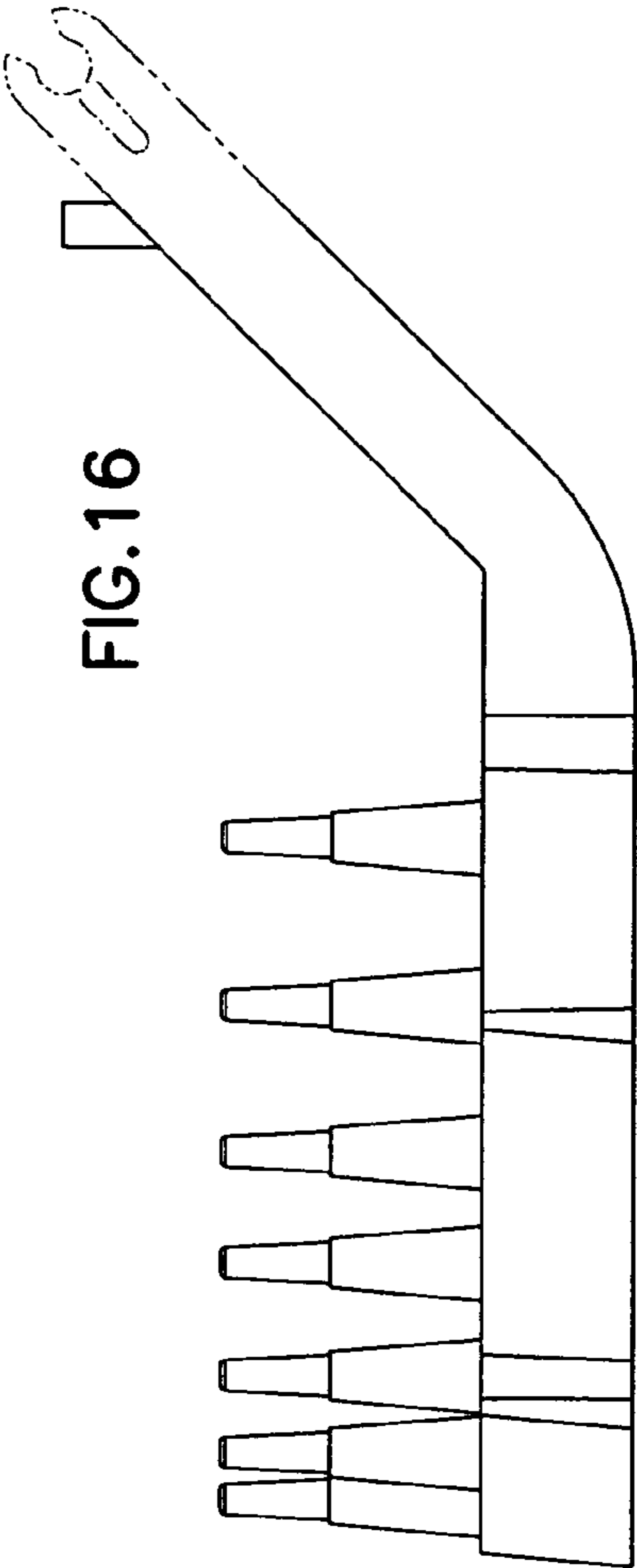


FIG. 16

FIG.18

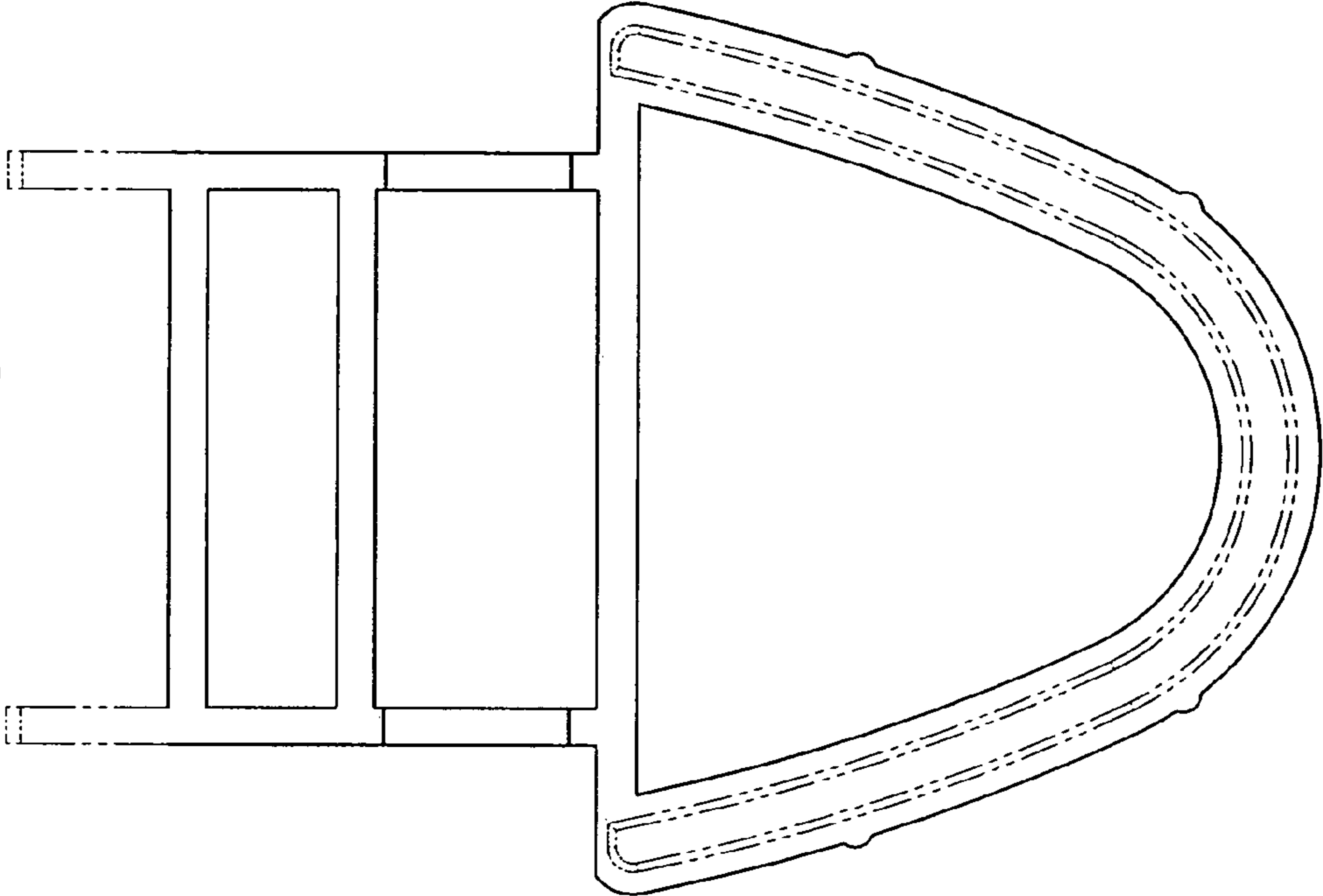


FIG.17

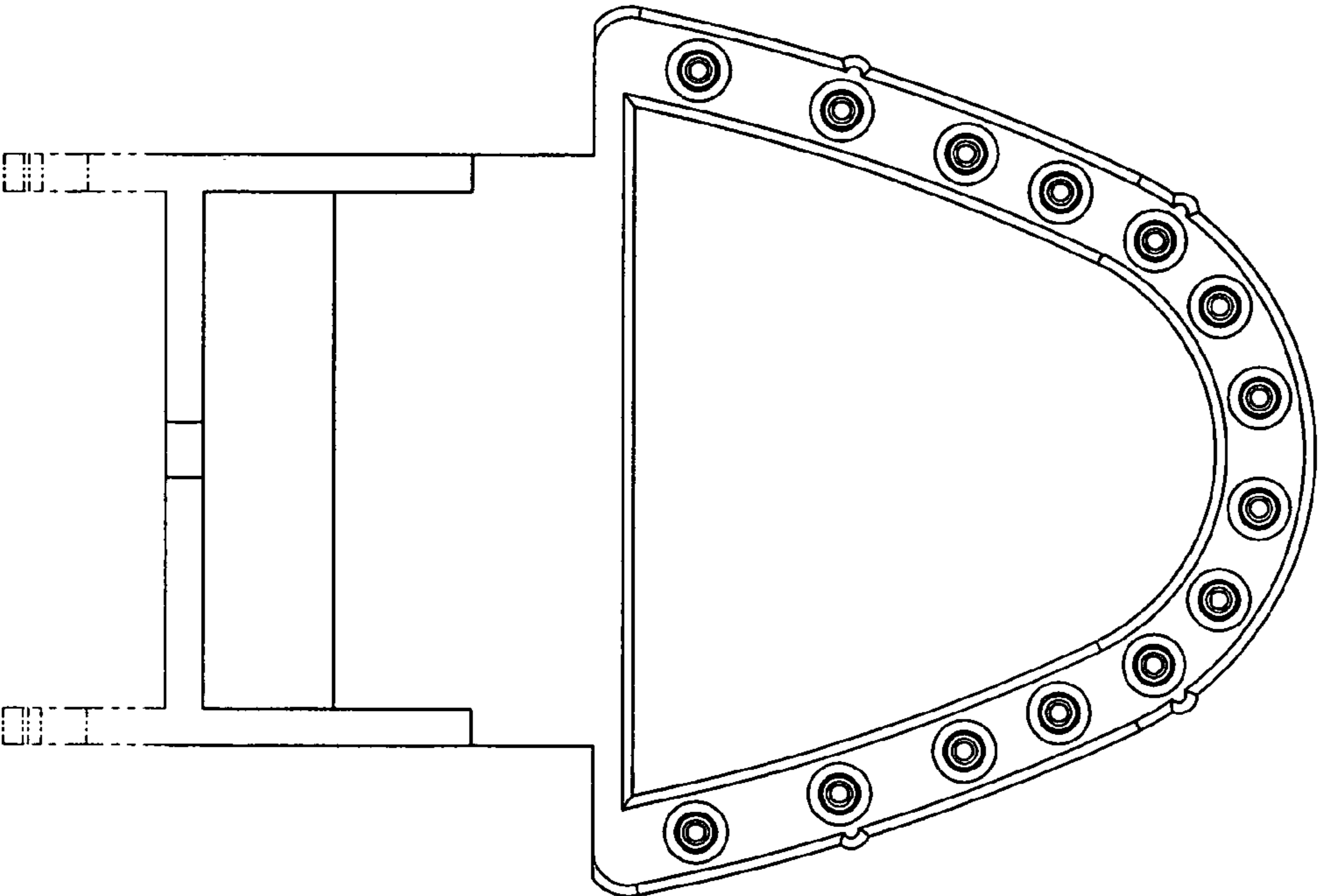


FIG.20

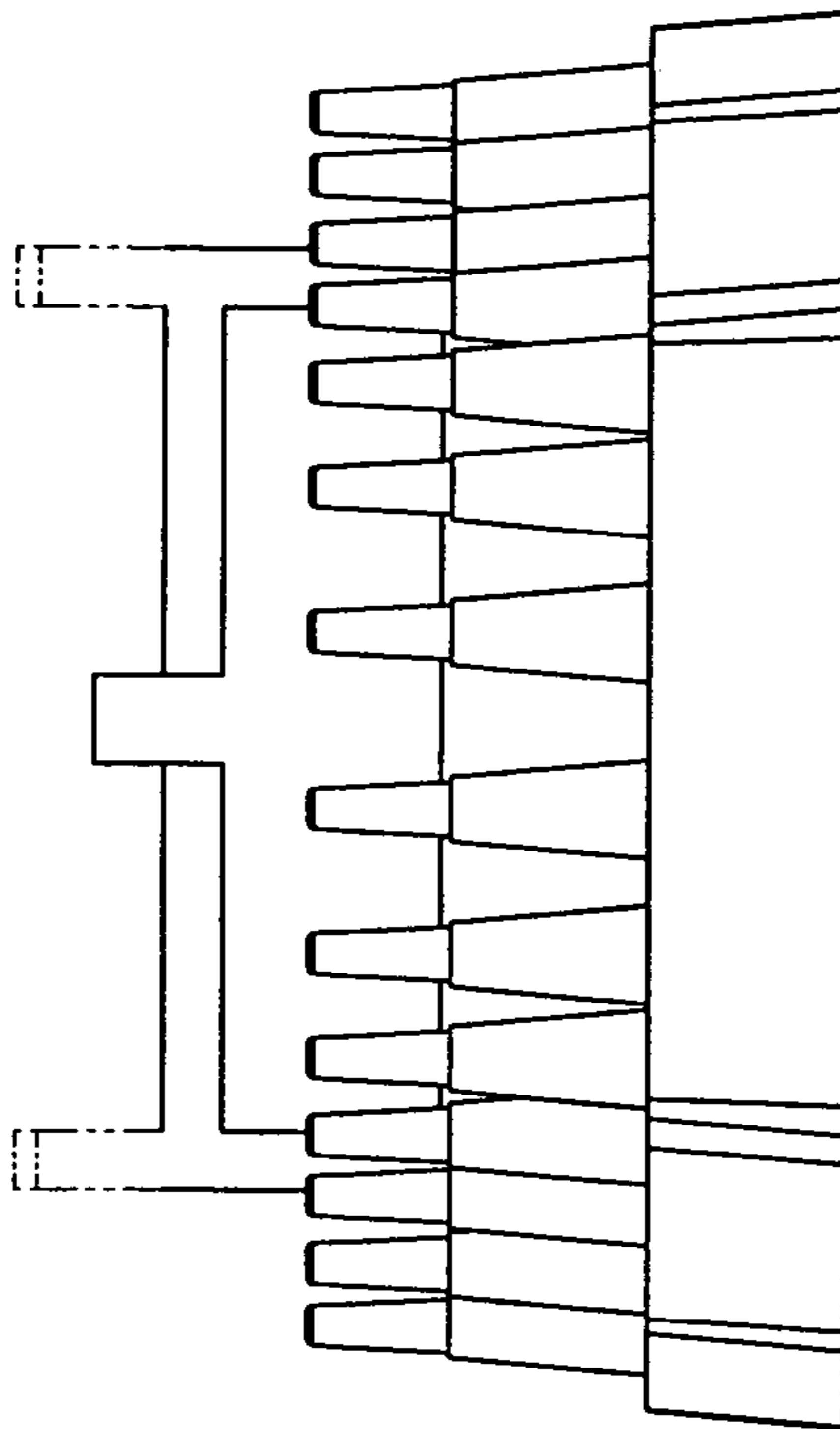


FIG.19

