



US00D576732S

(12) **United States Design Patent**
Huffman

(10) **Patent No.:** **US D576,732 S**

(45) **Date of Patent:** **** Sep. 9, 2008**

(54) **QUADRANT DENTAL ARTICULATOR BASE**

Primary Examiner—Charles A Rademaker

(74) *Attorney, Agent, or Firm*—Merchant & Gould P.C.

(76) Inventor: **Ronald E. Huffman**, P.O. Box 68440,
Oro Valley, AZ (US) 85704

(57) **CLAIM**

(**) Term: **14 Years**

The ornamental design for a quadrant dental articulator base,
as shown and described.

(21) Appl. No.: **29/256,968**

(22) Filed: **Mar. 28, 2006**

DESCRIPTION

(51) **LOC (8) Cl.** **24-02**

(52) **U.S. Cl.** **D24/182**

(58) **Field of Classification Search** D24/155–157,
D24/133, 107, 181, 182; D29/108; 128/848,
128/859; 602/902; 623/1.13–1.17, 17.16,
623/44, 16.11, 17.11; 604/1.02; 433/141.2,
433/121; 81/119

See application file for complete search history.

FIG. 1 is a top and front top perspective view of a quadrant
dental articulator base showing my new design;

FIG. 2 is a top and rear perspective view thereof;

FIG. 3 is a bottom and front perspective view thereof;

FIG. 4 is a bottom and rear perspective view thereof;

FIG. 5 is a left side elevation thereof;

FIG. 6 is a right side elevation thereof;

FIG. 7 is a top plan view thereof;

FIG. 8 is a bottom plan view thereof;

FIG. 9 is a front elevation thereof;

FIG. 10 is a rear elevation thereof;

FIG. 11 is a top and front top perspective view of a modified
embodiment of the design shown in FIGS. 1 through 10;

FIG. 12 is a top and rear perspective view thereof;

FIG. 13 is a bottom and front perspective view thereof;

FIG. 14 is a bottom and rear perspective view thereof;

FIG. 15 is a left side elevation thereof;

FIG. 16 is a right side elevation thereof;

FIG. 17 is a top plan view thereof;

FIG. 18 is a bottom plan view thereof;

FIG. 19 is a front elevation thereof; and,

FIG. 20 is a rear elevation thereof.

The broken lines showing of portions of the claimed design
and the modified embodiment thereof are included for the
purpose of illustrating environmental structures and form no
part of the claimed design.

(56) **References Cited**

U.S. PATENT DOCUMENTS

603,803	A *	5/1898	White	433/37
921,791	A	5/1909	Benson		
967,086	A	8/1910	Tuttle		
1,013,028	A	12/1911	Lee		
1,314,223	A	8/1919	Sorensen		
1,745,570	A	2/1930	Dimelow		
1,772,027	A	8/1930	Baumgarten		
1,780,117	A	10/1930	Craigo		
2,031,996	A	2/1936	Zelesnick		
2,037,344	A	4/1936	Schwartz		
2,234,411	A	2/1941	McDonald		
2,376,384	A	5/1945	Ringle et al.		

(Continued)

FOREIGN PATENT DOCUMENTS

DE 3 436 094 A1 3/1985

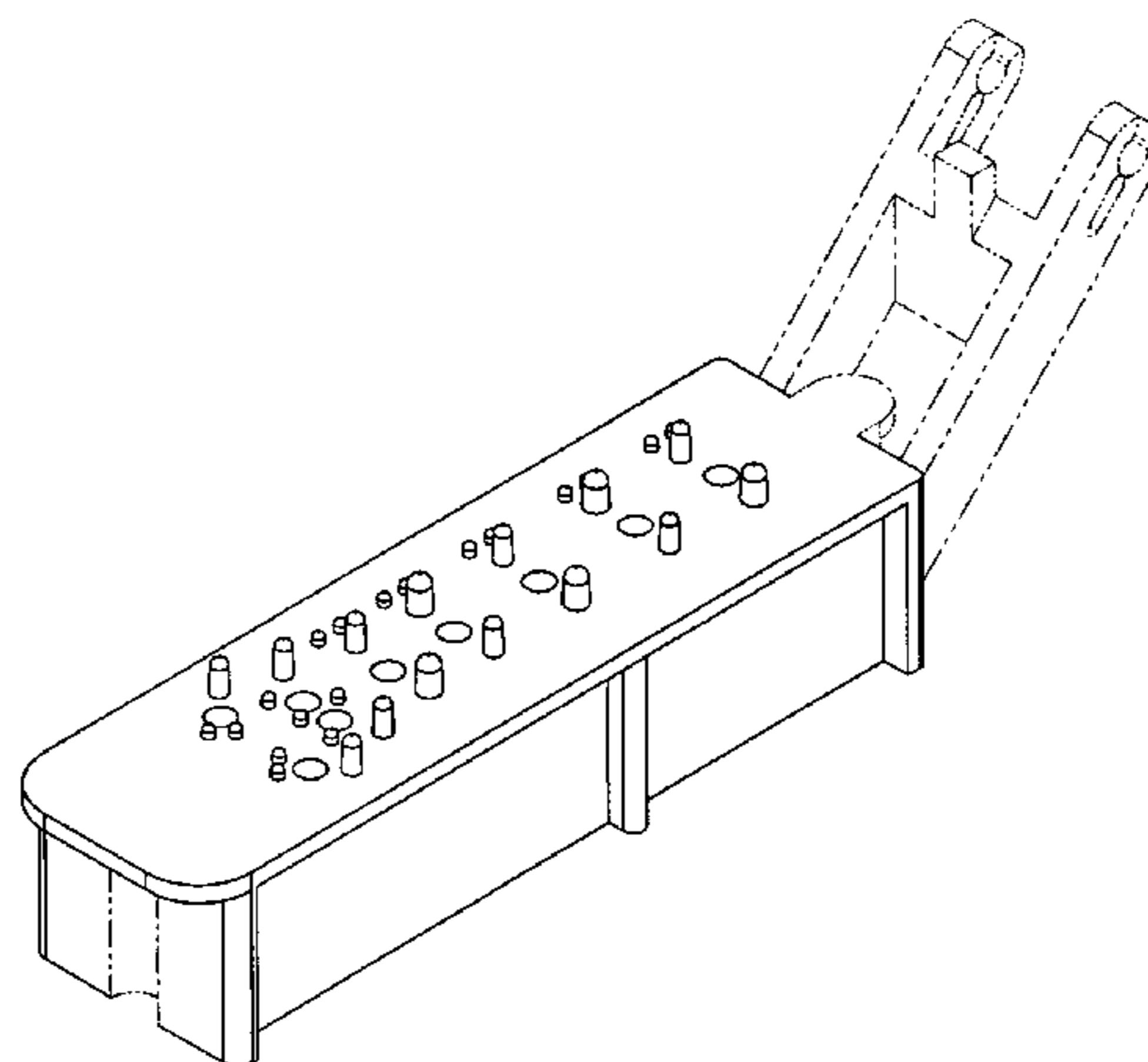
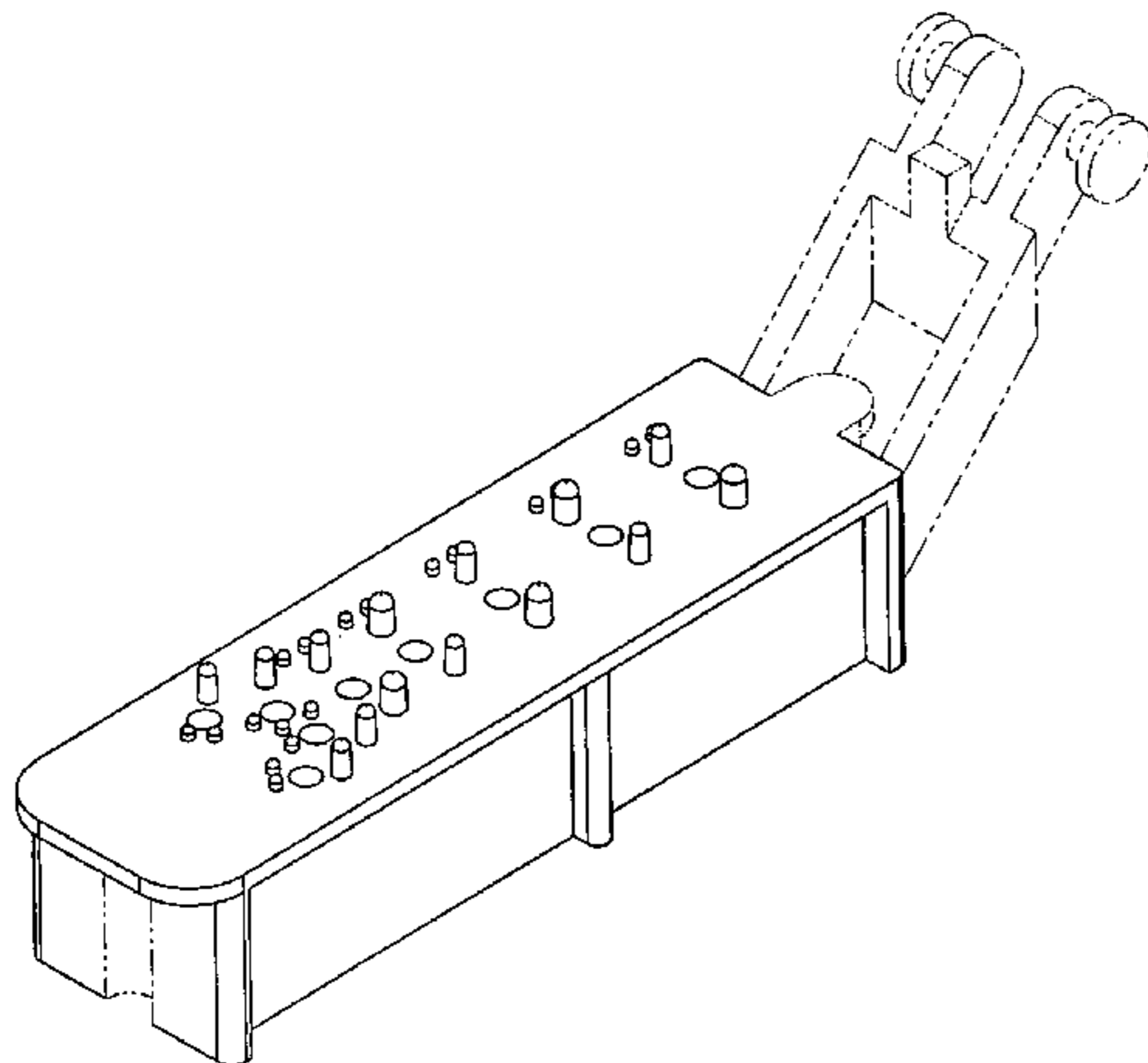
(Continued)

OTHER PUBLICATIONS

U.S. Appl. No. 29/216,696, filed on Nov. 5, 2004.

(Continued)

1 Claim, 8 Drawing Sheets



U.S. PATENT DOCUMENTS		
2,398,671	A	4/1946 Saffir
2,577,420	A	12/1951 Jablonski et al.
2,585,857	A	2/1952 Schwartz
2,613,440	A	10/1952 Murray et al.
2,621,407	A	12/1952 Schlesinger
2,669,780	A	2/1954 Mann
2,842,845	A	7/1958 Carlson
2,963,786	A *	12/1960 Browning 433/37
3,150,448	A	9/1964 Wozar
3,453,736	A	7/1969 Waltke
3,461,562	A	8/1969 Cooper
3,478,428	A	11/1969 Stengel
3,510,947	A	5/1970 Tuccillo
3,518,761	A	7/1970 Susman et al.
3,581,398	A	6/1971 Thomas
3,650,032	A	3/1972 Kestler
3,753,291	A	8/1973 Bocian et al.
3,832,777	A	9/1974 Tinder
3,913,230	A	10/1975 Weiss
3,934,348	A	1/1976 Janjic
3,937,773	A	2/1976 Huffman
3,947,964	A	4/1976 Lee
3,969,820	A	7/1976 Kulig et al.
4,021,916	A	5/1977 Spalten
4,022,419	A	5/1977 Haker
4,116,416	A	9/1978 Segura
4,122,606	A	10/1978 Roman
4,127,939	A	12/1978 Samuel et al.
4,174,570	A	11/1979 Schwartz
4,203,219	A	5/1980 Wiener
4,229,167	A	10/1980 Kikuchi et al.
4,240,605	A	12/1980 Waltke
4,242,812	A	1/1981 Randoll et al.
4,265,619	A	5/1981 Lucki et al.
4,283,173	A	8/1981 Browne et al.
4,301,357	A	11/1981 Huffman
4,319,875	A	3/1982 Beckwith
4,359,464	A	11/1982 Weinstock
4,371,339	A	2/1983 Zeiser
4,378,929	A	4/1983 Huffman
4,382,787	A	5/1983 Huffman
4,398,884	A	8/1983 Huffman
4,403,961	A	9/1983 Gurney
4,436,511	A	3/1984 Mitchell, Sr.
4,439,151	A	3/1984 Whelan
4,443,192	A	4/1984 Blitz
4,449,930	A	5/1984 Huffman
4,449,931	A	5/1984 Saito
4,459,110	A	7/1984 Jackson
4,473,353	A	9/1984 Greggs
4,481,162	A	11/1984 Huffman
4,494,934	A	1/1985 Huffman
4,504,226	A	3/1985 Gordon
4,521,188	A	6/1985 Metzler
4,533,323	A	8/1985 Huffman
4,538,987	A	9/1985 Weissman
4,548,581	A	10/1985 Huffman
D283,541	S	4/1986 Huffman
D283,542	S	4/1986 Huffman
D283,639	S	4/1986 Huffman
D283,730	S	5/1986 Huffman
4,608,016	A	8/1986 Zeiser
D286,179	S	10/1986 Huffman
D286,436	S	10/1986 Huffman
4,645,454	A	2/1987 Amdur et al.
D289,924	S	5/1987 Huffman
4,671,770	A	6/1987 Bell et al.
4,708,648	A	11/1987 Weissman
4,708,835	A	11/1987 Kiefer
4,721,464	A	1/1988 Roden et al.
4,734,033	A	3/1988 Huffman
D295,314	S	4/1988 Kwok
4,767,330	A	8/1988 Burger
4,767,331	A	8/1988 Hoe
4,786,253	A	11/1988 Morais
4,834,651	A	5/1989 Fenick
4,842,242	A	6/1989 Huffman
D302,456	S	7/1989 Huffman
D302,587	S	8/1989 Huffman
D302,724	S	8/1989 Huffman
D302,725	S	8/1989 Huffman
4,865,546	A	9/1989 Naylor
RE33,099	E	10/1989 Shoher et al.
4,886,453	A	12/1989 Ludwigs
D305,361	S	1/1990 Huffman
D305,362	S	1/1990 Huffman
D306,206	S	2/1990 Huffman
4,898,359	A	2/1990 Gopon
4,917,347	A	4/1990 Fenick
RE33,271	E	7/1990 Shoher et al.
4,940,409	A	7/1990 Nordin
4,980,124	A	12/1990 Dimmer
D315,209	S *	3/1991 Mann D24/181
D315,955	S *	4/1991 Mann D24/181
5,015,182	A	5/1991 Newberry
5,028,235	A	7/1991 Smith
5,044,949	A	9/1991 Xanthopoulos
5,049,075	A	9/1991 Barrut
5,076,789	A	12/1991 Tanaka
D323,559	S	1/1992 Shafer
5,098,290	A	3/1992 Honstein et al.
5,100,317	A	3/1992 Darnand
5,197,874	A	3/1993 Silva et al.
5,207,574	A	5/1993 Garland
5,352,117	A	10/1994 Silva
5,393,227	A	2/1995 Nooning
5,403,185	A	4/1995 Presswood
5,466,152	A	11/1995 Walter
5,470,231	A	11/1995 Stern
5,501,600	A	3/1996 Johnson
5,586,884	A	12/1996 Kraus
5,622,497	A	4/1997 Cho
5,722,828	A	3/1998 Halstrom
5,766,007	A	6/1998 Huffman
5,769,634	A	6/1998 Choi
5,775,899	A	7/1998 Huffman
5,788,489	A	8/1998 Huffman
5,788,490	A	8/1998 Huffman
5,800,166	A	9/1998 Huffman
5,807,099	A	9/1998 Johnson
5,868,138	A	2/1999 Halstrom
5,868,569	A	2/1999 Huffman
D408,919	S	4/1999 Cooley
5,934,901	A	8/1999 Huffman
5,970,981	A	10/1999 Ochel
5,996,963	A	12/1999 Michael
6,033,221	A	3/2000 Tsubota et al.
D429,815	S	8/2000 Huffman
D430,672	S	9/2000 Huffman
D433,136	S	10/2000 Huffman
D433,754	S	11/2000 Huffman
6,186,781	B1	2/2001 Iba
6,234,794	B1	5/2001 Ozaki
D443,363	S	6/2001 Huffman
D444,559	S	7/2001 Huffman
D452,009	S	12/2001 Huffman
D452,010	S	12/2001 Huffman
D452,319	S	12/2001 Huffman
D452,320	S	12/2001 Huffman
D452,321	S	12/2001 Huffman
D452,322	S	12/2001 Huffman
D452,566	S	12/2001 Huffman
D452,567	S	12/2001 Huffman
D452,568	S	12/2001 Huffman

US D576,732 S

Page 3

D456,902 S	5/2002	Huffman	2005/0064364 A1	3/2005	Huffman
D456,903 S	5/2002	Huffman	2005/0064365 A1	3/2005	Huffman
D456,904 S	5/2002	Huffman	2005/0064366 A1	3/2005	Huffman
D457,243 S	5/2002	Huffman	2005/0106530 A1	5/2005	Huffman
D457,636 S	5/2002	Huffman			
D457,637 S	5/2002	Huffman			
D457,963 S	5/2002	Huffman			
D457,964 S	5/2002	Huffman			
D464,431 S	10/2002	Huffman			
D464,432 S	10/2002	Huffman			
D464,732 S	10/2002	Huffman			
D464,733 S	10/2002	Huffman			
D465,027 S	10/2002	Huffman			
6,471,513 B1	10/2002	Huffman			
D468,018 S	12/2002	Huffman			
D468,431 S	1/2003	Huffman			
D468,432 S	1/2003	Huffman			
D469,537 S	1/2003	Huffman			
6,511,318 B2	1/2003	Kim			
D481,797 S	11/2003	Huffman			
6,726,477 B2 *	4/2004	Gittleman 433/34			
D491,269 S *	6/2004	Tucker et al. D24/181			
6,884,068 B2	4/2005	Huffman			
6,886,566 B2	5/2005	Eubank			
7,044,734 B2	5/2006	Huffman			
D529,177 S	9/2006	Huffman			
7,108,507 B2	9/2006	Huffman			
D530,014 S	10/2006	Huffman			
7,156,660 B2	1/2007	Huffman			
D537,987 S	3/2007	Manzo et al.			
7,210,931 B1	5/2007	Huffman			
D547,452 S *	7/2007	Costello D24/182			
D559,986 S *	1/2008	Huffman D24/176			
2002/0102514 A1	8/2002	Huffman			
2004/0013998 A1	1/2004	Jung et al.			
2004/0029070 A1	2/2004	Huffman			
2004/0029071 A1	2/2004	Huffman			
2004/0096802 A1	5/2004	Gittleman			
2004/0197729 A1	10/2004	Honstein et al.			

FOREIGN PATENT DOCUMENTS

DE	3 505 680 A1	7/1985
DE	3 521 137 A1	12/1986
DE	3 825 014 A1	1/1990
DE	295 06 480 U1	8/1995
DE	296 13 916 U1	1/1998
DE	4 01 05 710.0	10/2001
EP	0 210 484 A2	2/1985
EP	1 151 086 A2	8/1985
EP	0 277 026 A2	8/1988
EP	0 291 821 A1	11/1988
EP	0 528 335 A1	2/1993
FR	2 757 372 A1	6/1988
FR	2 750 851 A1	1/1998
FR	2 770 994	5/1999
FR	653652TO653664	2/2002
GB	886118	1/1926
GB	866118	4/1961
GB	2102229 A	1/1983
GB	2105427	3/1983
GB	1014814	2/1984
GB	1053785	4/1989
GB	2075293	9/1998
JP	1175348	4/2003
JP	1178837	5/2003
WO	WO 88/10101	12/1988
WO	WO 97/16130	5/1997
WO	WO 01/01881 A2	1/2001

OTHER PUBLICATIONS

U.S. Appl. No. 29/216,697, filed on Nov. 5, 2004.

* cited by examiner

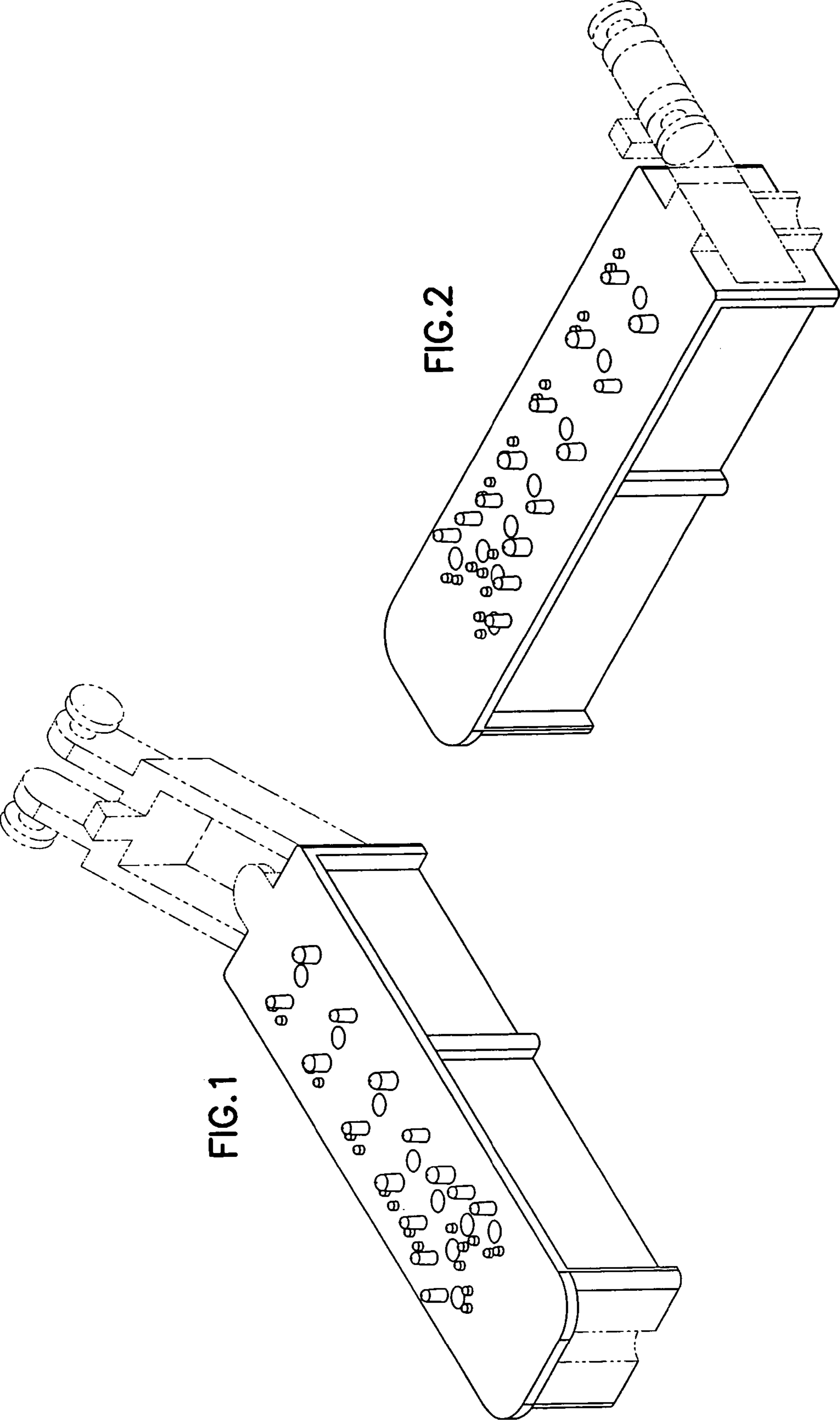


FIG. 1

FIG. 2

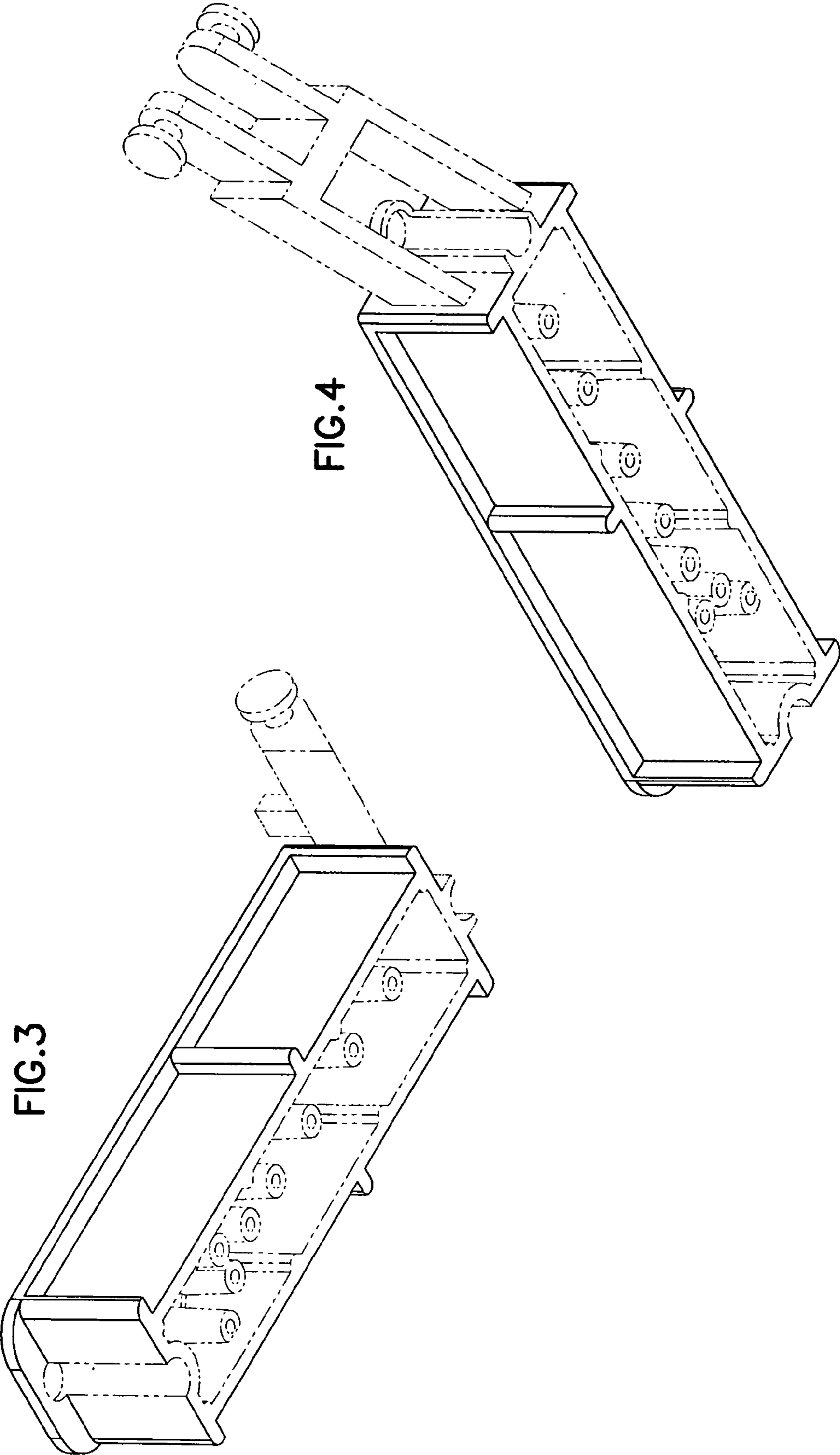


FIG.5

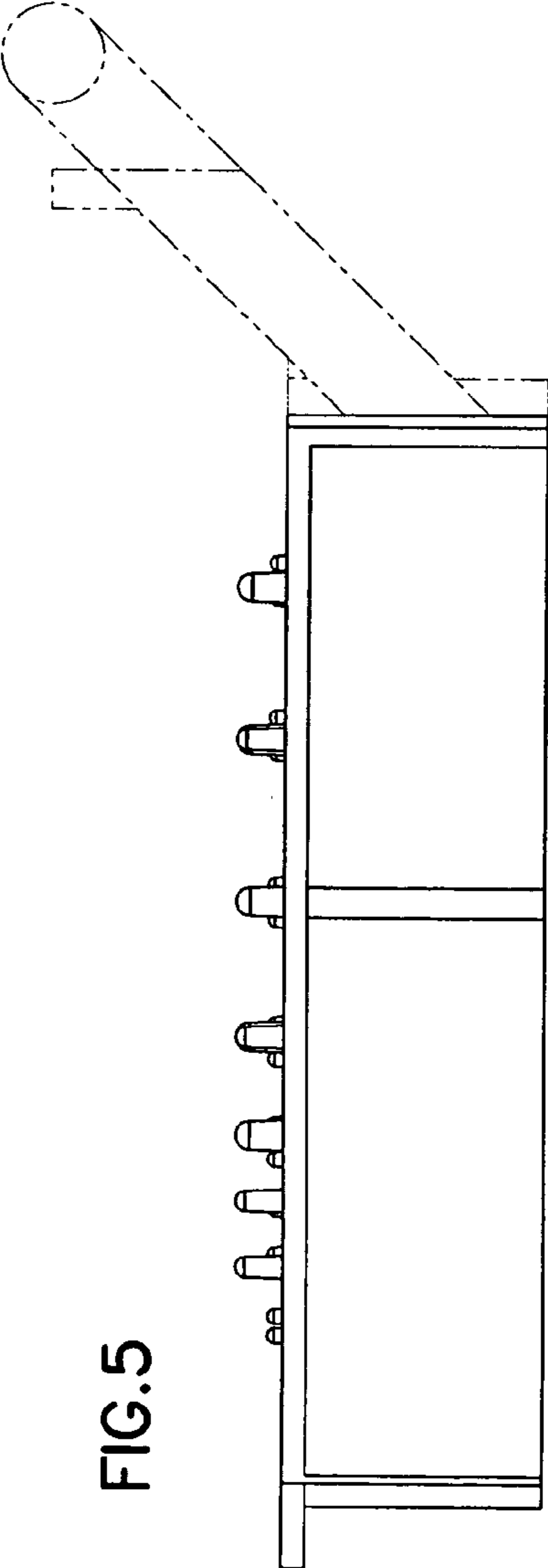
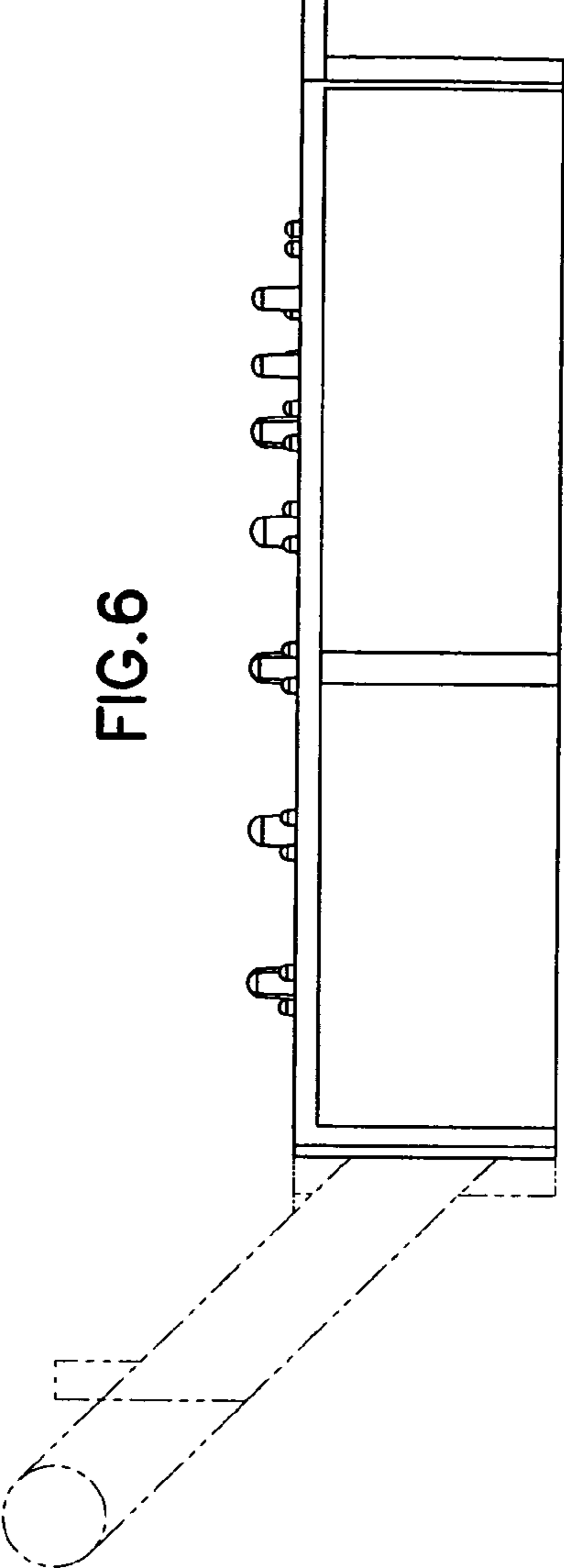


FIG.6



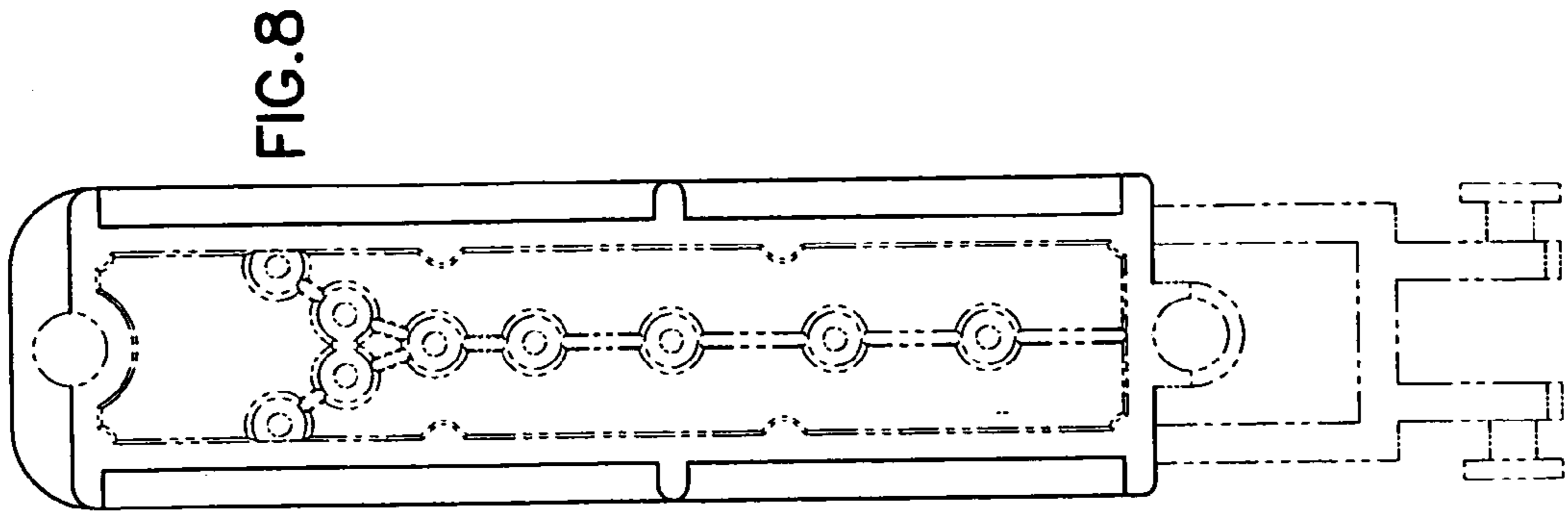


FIG. 8

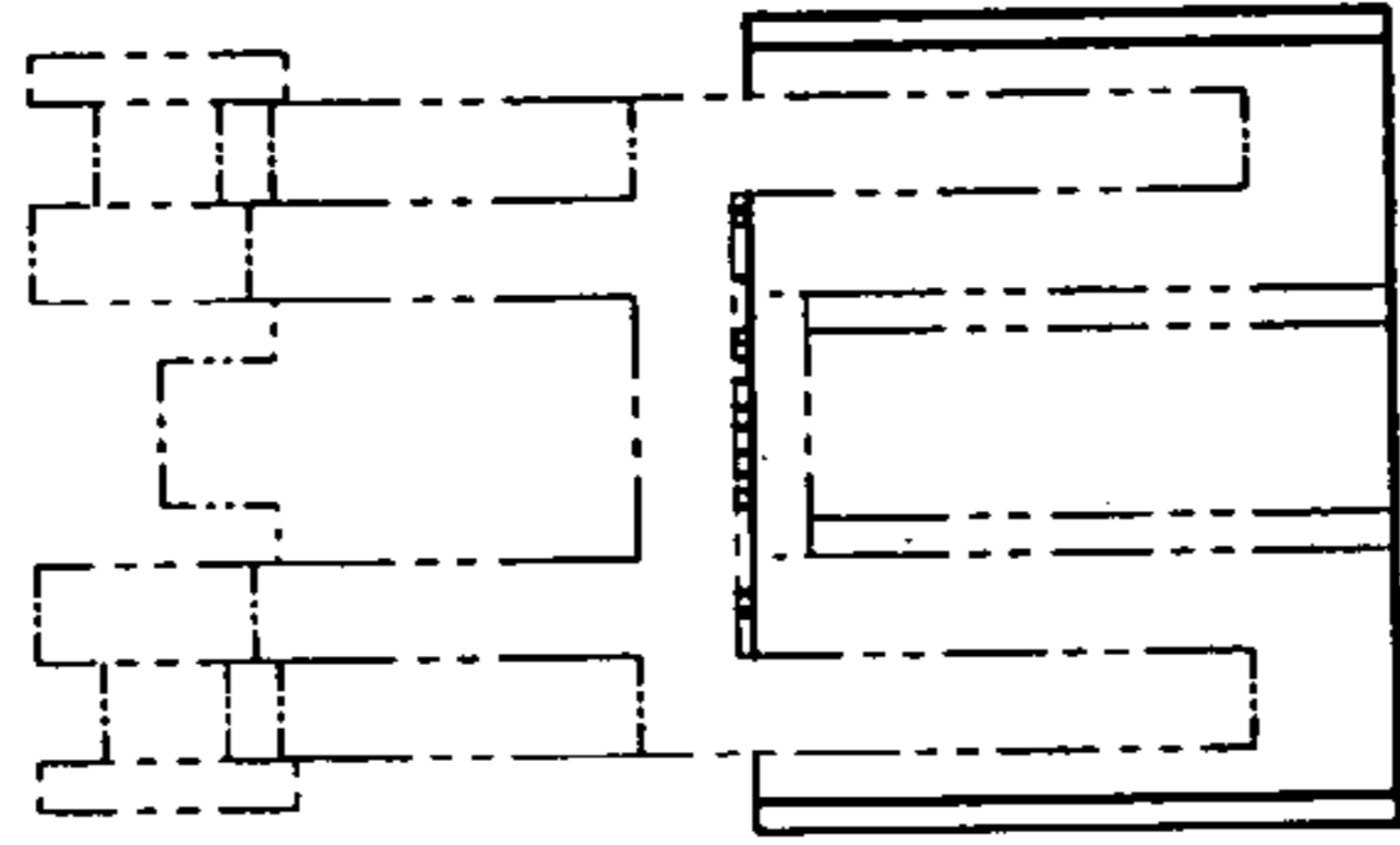


FIG. 10

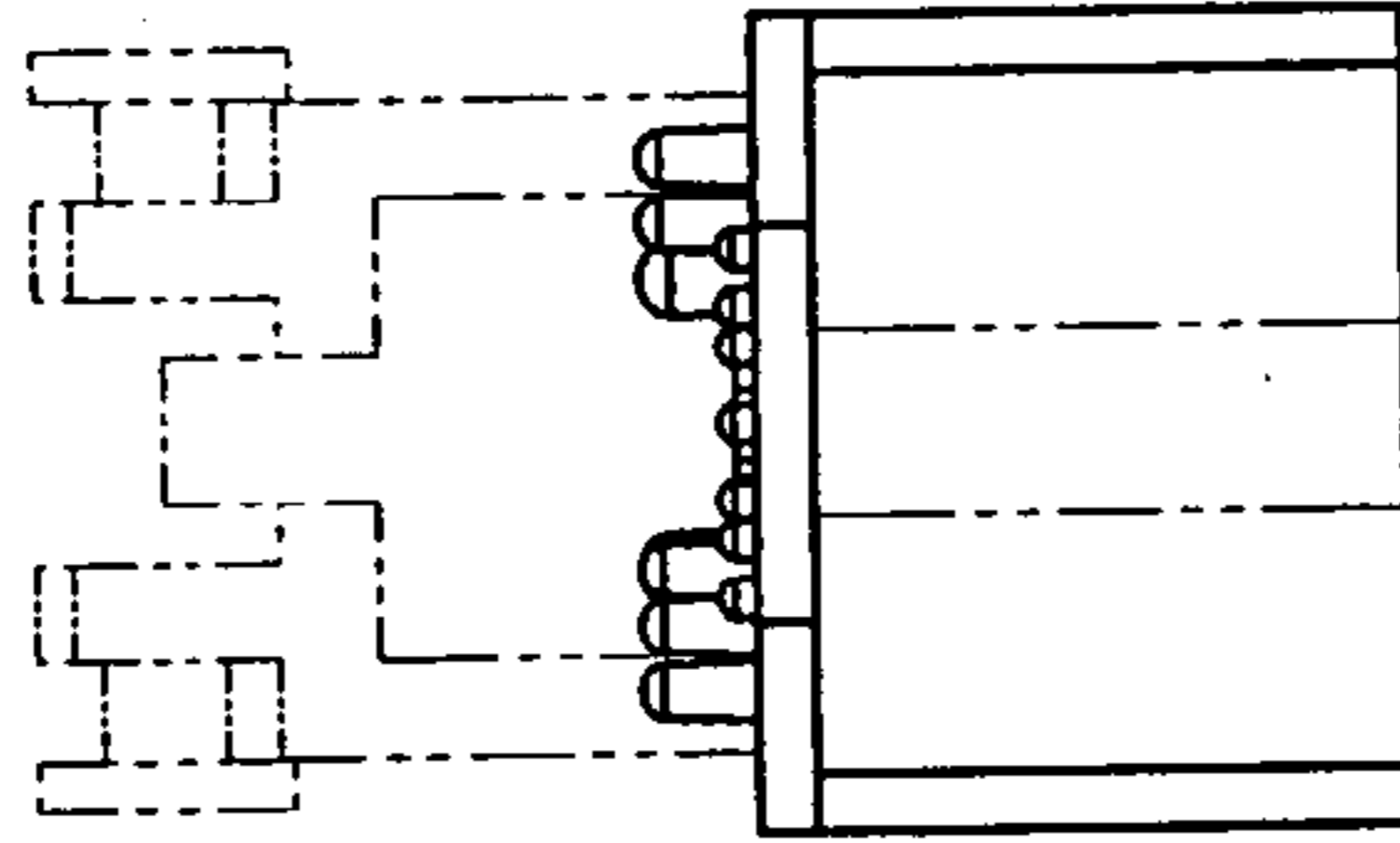


FIG. 9

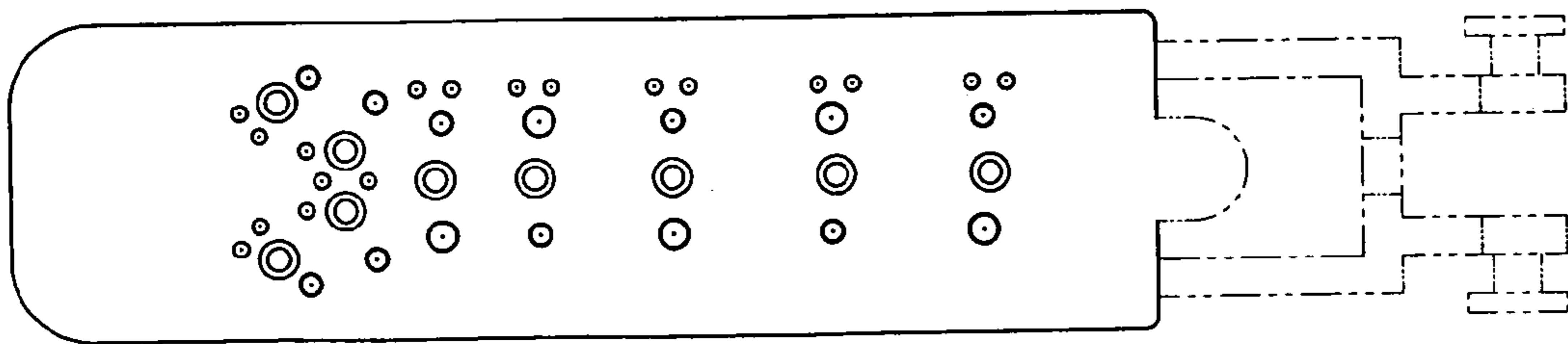
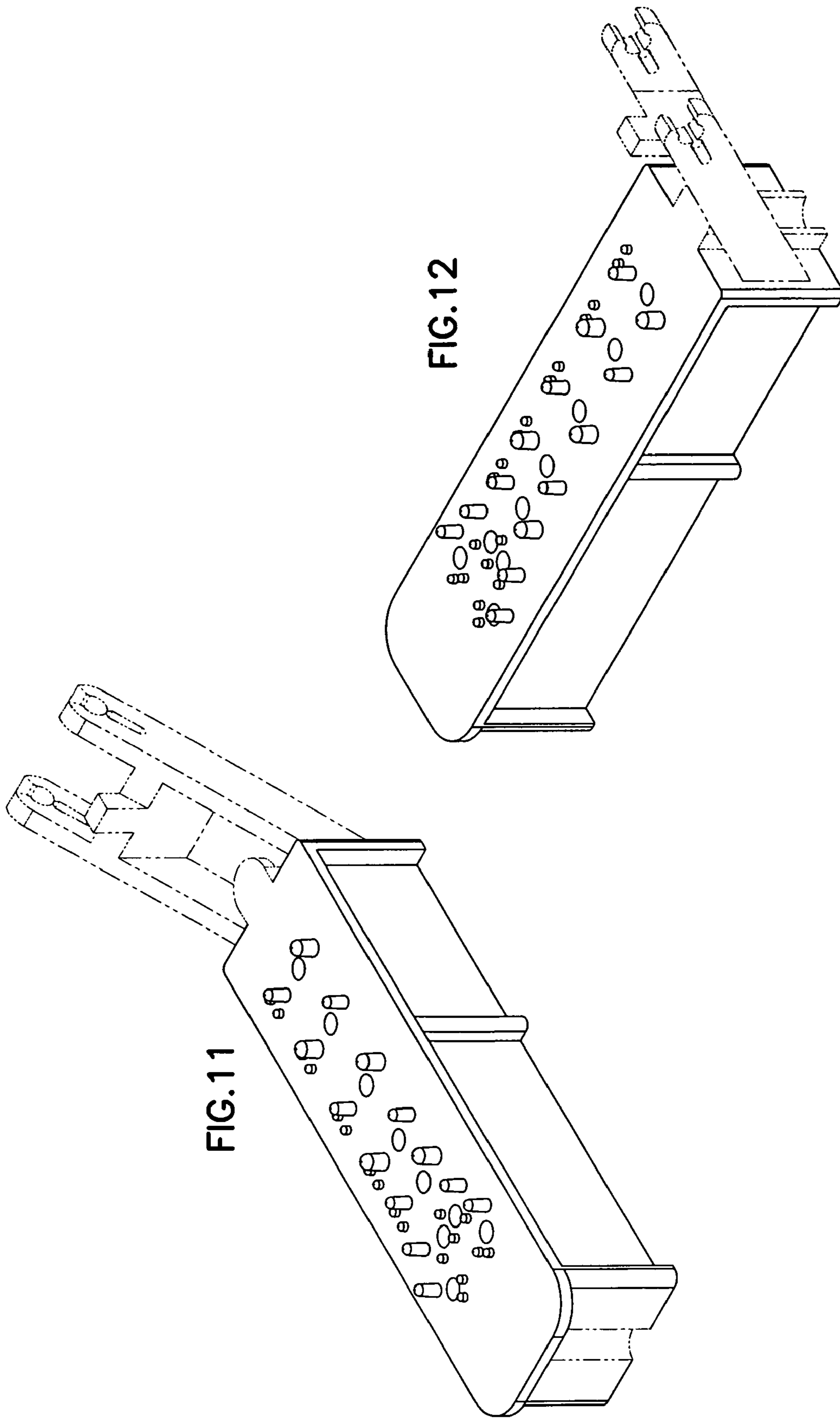
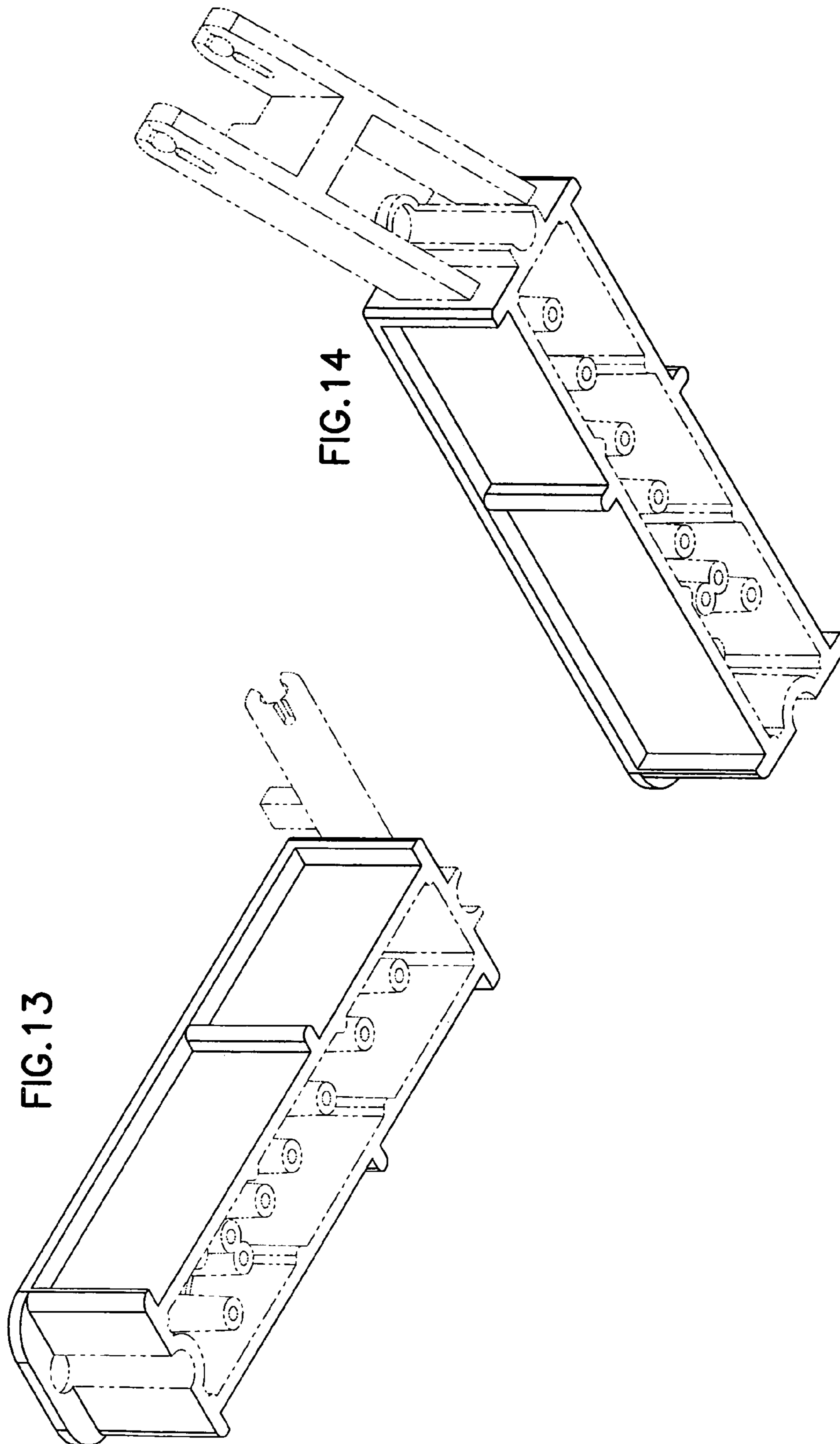
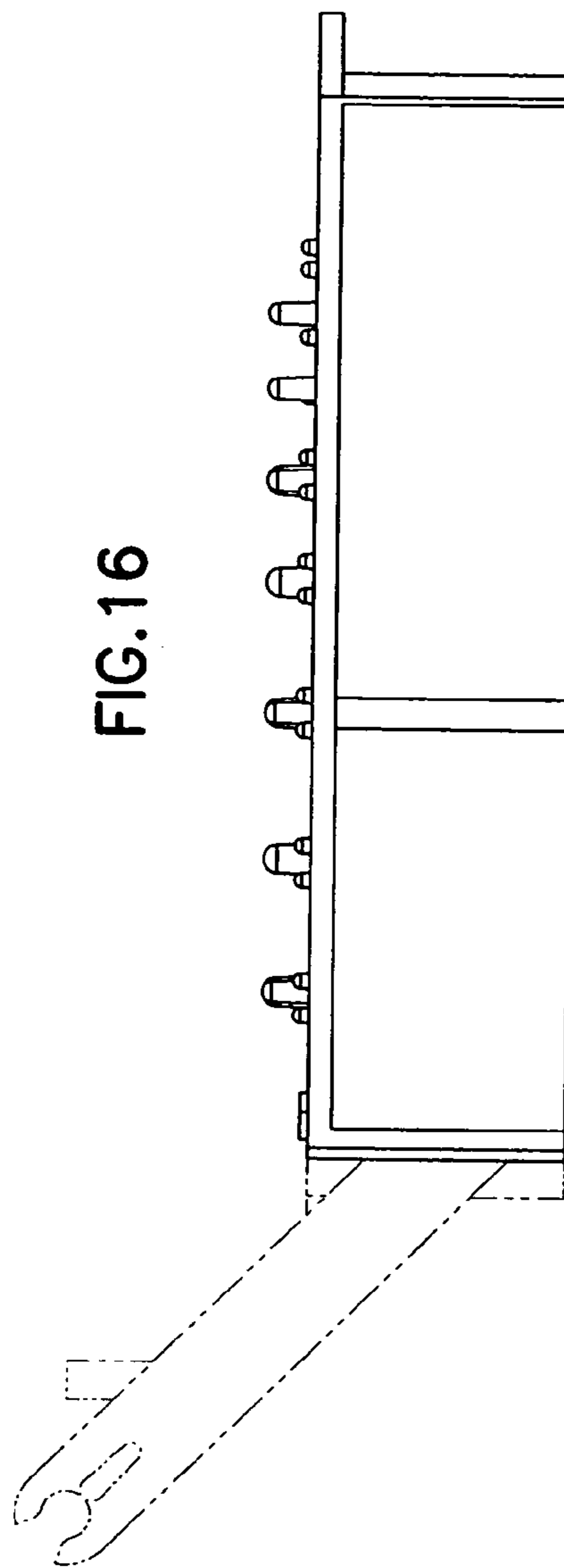
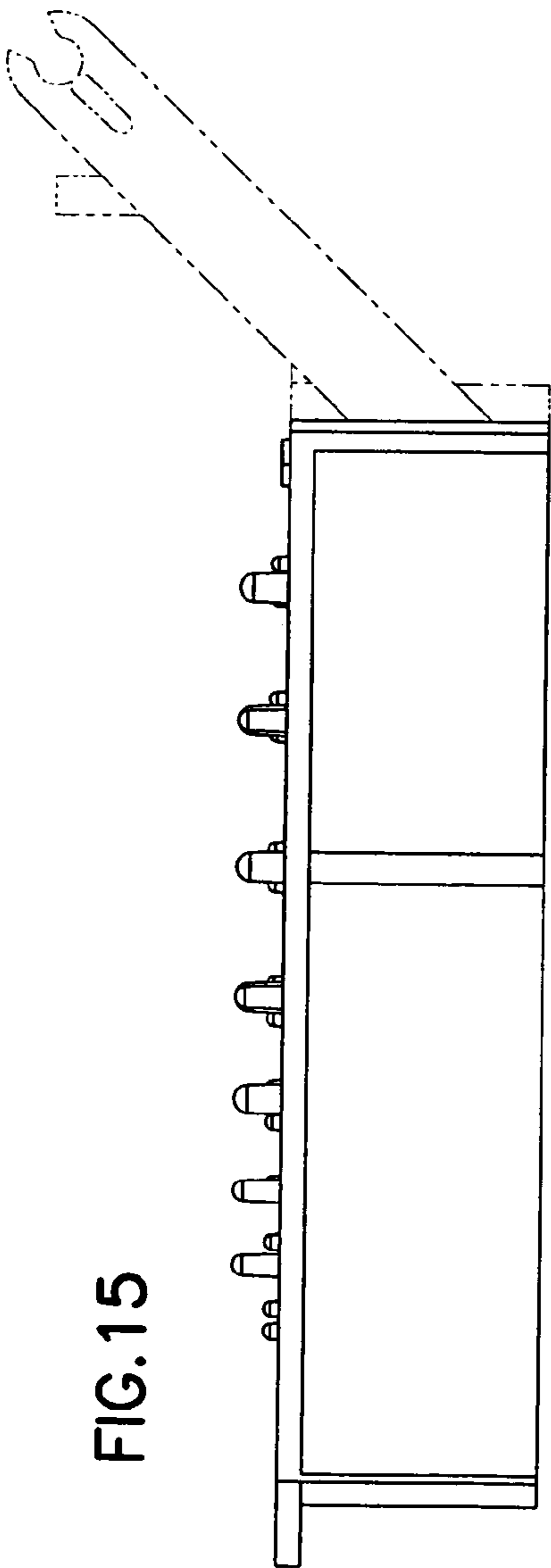


FIG. 7







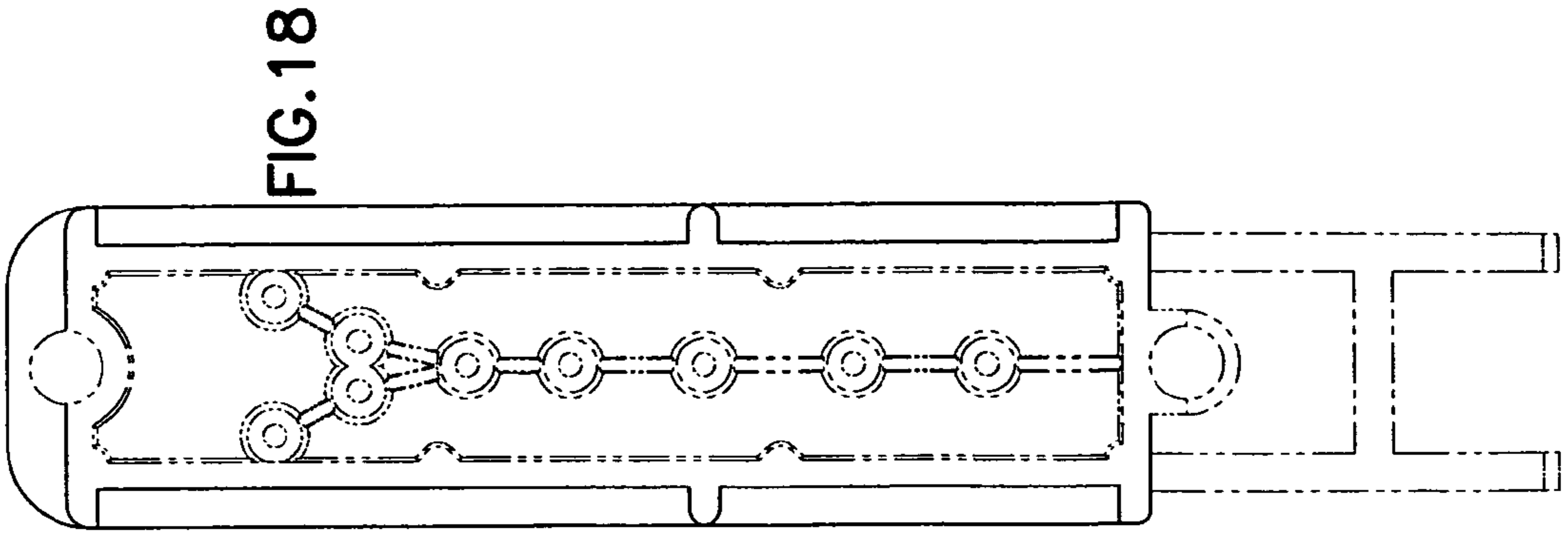


FIG. 18

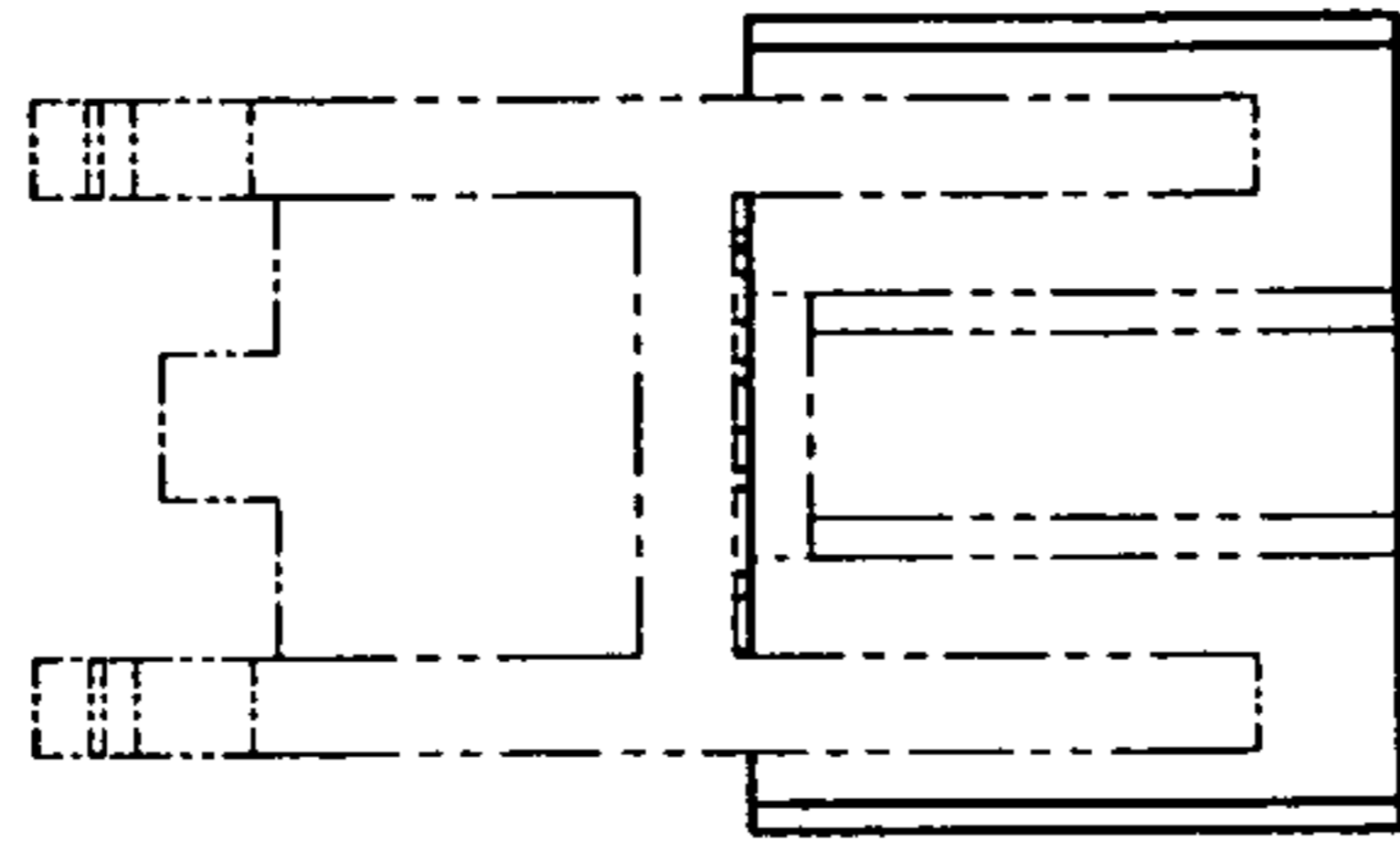


FIG. 20

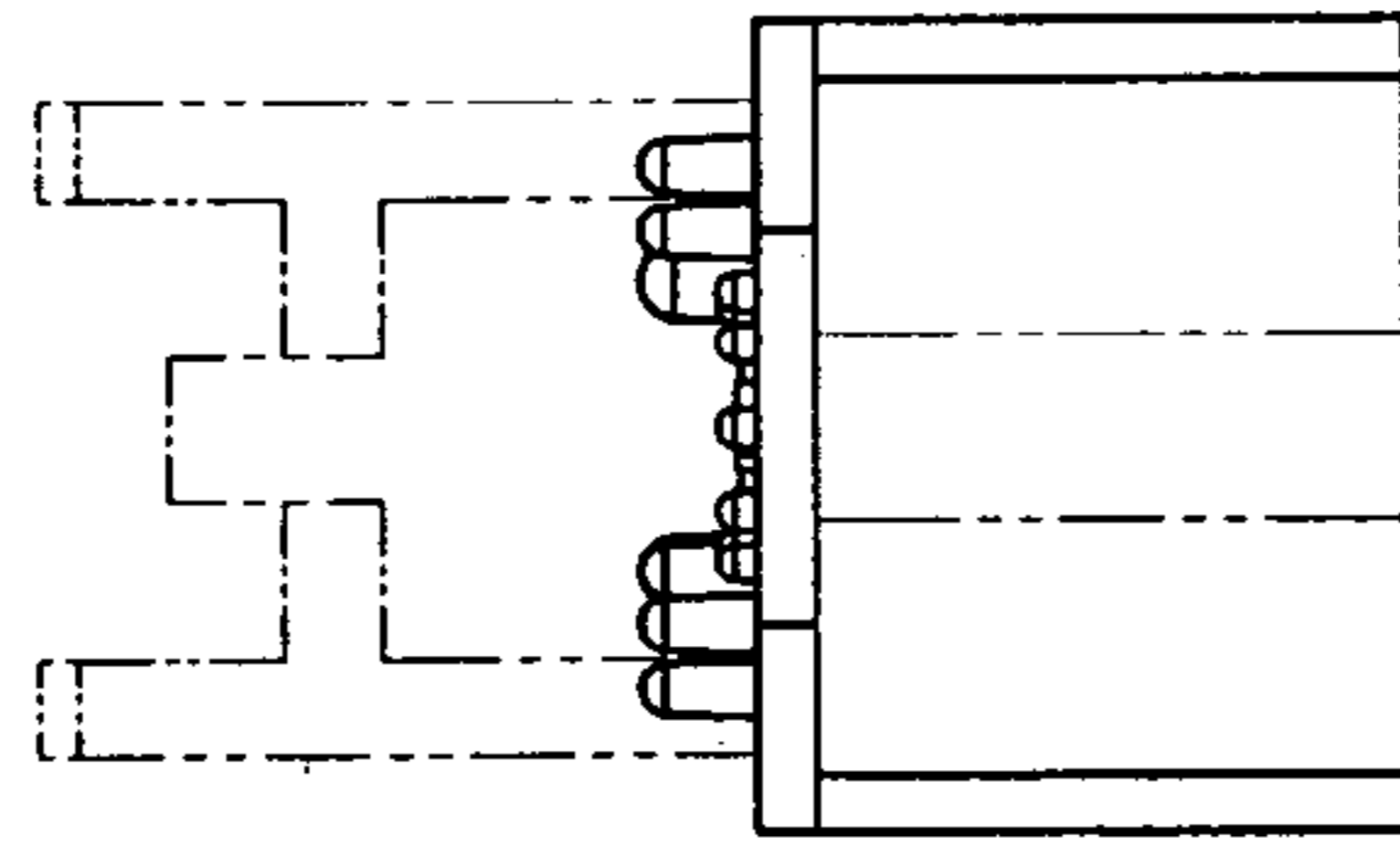


FIG. 19

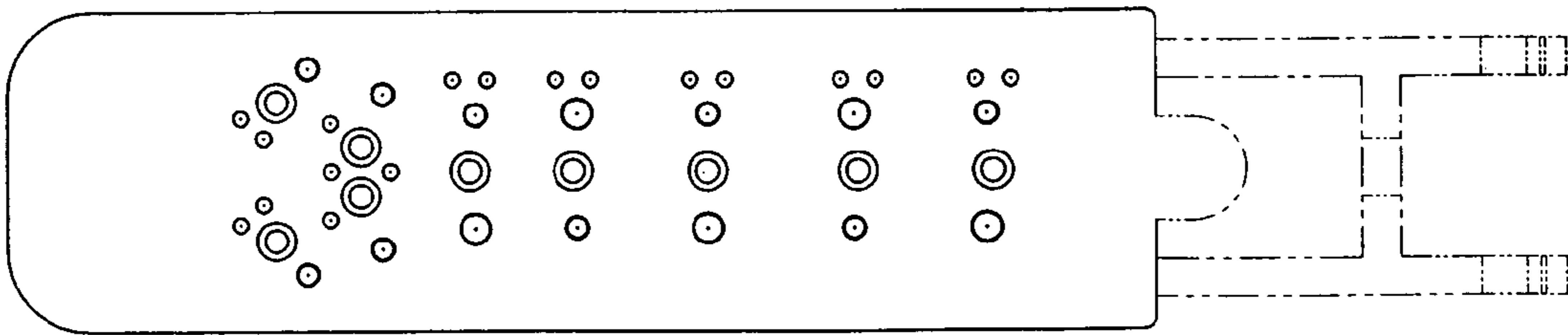


FIG. 17