



US00D576731S

(12) **United States Design Patent**
Strnad et al.

(10) **Patent No.:** **US D576,731 S**
(45) **Date of Patent:** **** Sep. 9, 2008**

(54) **ORTHOPEdic PLATE**

(75) Inventors: **Lee A. Strnad**, Broadview Hts., OH (US); **David B. Kay**, Akron, OH (US); **Amanda Martin**, Norton, OH (US); **G. Martin Wynkoop**, Gainesville, FL (US)

(73) Assignee: **Orthohelix Surgical Designs, Inc.**, Akron, OH (US)

(**) Term: **14 Years**

(21) Appl. No.: **29/271,372**

(22) Filed: **Jan. 17, 2007**

(51) **LOC (8) Cl.** **24-03**

(52) **U.S. Cl.** **D24/155**

(58) **Field of Classification Search** D24/155, D24/156, 157; 623/17.11, 16.71; D8/391-393, D8/382, 354; 606/246, 247, 248, 249, 258, 606/267, 280, 70, 71, 283, 299, 166, 903, 606/905, 906, 286, 396, 17.16 AN, 17.13, 606/71 D

See application file for complete search history.

(56) **References Cited**

U.S. PATENT DOCUMENTS

| | | | | |
|-----------|------|---------|------------------|---------|
| 5,197,966 | A | 3/1993 | Sommerkamp | |
| 5,364,398 | A * | 11/1994 | Chapman et al. | 606/71 |
| 6,096,040 | A * | 8/2000 | Esser | 606/280 |
| D440,311 | S * | 4/2001 | Michelson | D24/155 |
| 6,235,032 | B1 * | 5/2001 | Link | 606/280 |
| 6,283,969 | B1 * | 9/2001 | Grusin et al. | 606/280 |
| 6,358,250 | B1 | 3/2002 | Orbay | |
| 6,364,882 | B1 | 4/2002 | Orbay | |
| 6,508,819 | B1 | 1/2003 | Orbay | |
| 6,428,542 | B1 * | 4/2003 | Harkey et al. | 606/250 |
| 6,623,486 | B1 | 9/2003 | Weaver et al. | |
| 6,712,820 | B2 | 3/2004 | Orbay | |
| 6,454,771 | B1 * | 9/2005 | Bray | 606/71 |
| 6,755,833 | B1 * | 2/2006 | Navarro et al. | 606/71 |
| D520,637 | S * | 5/2006 | Kay et al. | D24/155 |
| 6,547,790 | B2 * | 5/2006 | Steger et al. | 606/280 |
| 6,890,335 | B2 * | 6/2006 | Needham et al. | 606/70 |
| 7,074,221 | B2 * | 7/2006 | Michelson | 606/70 |
| 7,137,987 | B2 * | 11/2006 | Patterson et al. | D24/156 |

| | | | | |
|--------------|------|---------|---------------------|---------|
| 6,916,320 | B2 * | 2/2007 | Konieczynski et al. | 606/71 |
| 7,052,499 | B2 * | 5/2007 | Cordaro | 606/70 |
| 7,220,263 | B2 * | 5/2007 | Cordaro | D15/143 |
| 7,060,067 | B2 * | 6/2007 | Schafer | 606/272 |
| 2004/0059334 | A1 | 3/2004 | Weaver et al. | |
| 2004/0153073 | A1 | 8/2004 | Orbay | |
| 2004/0193155 | A1 | 9/2004 | Castaneda | |
| 2005/0065522 | A1 | 3/2005 | Orbay | |
| 2005/0080421 | A1 | 4/2005 | Weaver et al. | |
| 2005/0085818 | A1 | 4/2005 | Huebner | |
| 2005/0245931 | A1 | 11/2005 | Orbay | |
| 2006/0259039 | A1 | 11/2006 | Pitkanen et al. | |

OTHER PUBLICATIONS

New Trauma Products from AO Development, Jun. 2006 (p. 9).

* cited by examiner

Primary Examiner—Charles A Rademaker

(74) *Attorney, Agent, or Firm*—Hudak, Shunk & Farine Co., LPA

(57) **CLAIM**

The ornamental design for an orthopedic plate, as shown and described.

DESCRIPTION

FIG. 1 is a front elevation of an orthopedic plate showing our new design;

FIG. 2 is a top plan view thereof;

FIG. 3 is a bottom plan thereof;

FIG. 4 is a left end elevation thereof;

FIG. 5 is a right end elevation thereof;

FIG. 6 is a rear elevation thereof;

FIG. 7 is a front elevation of a modified embodiment of the design shown in FIGS. 1 through 6;

FIG. 8 is a top plan view thereof;

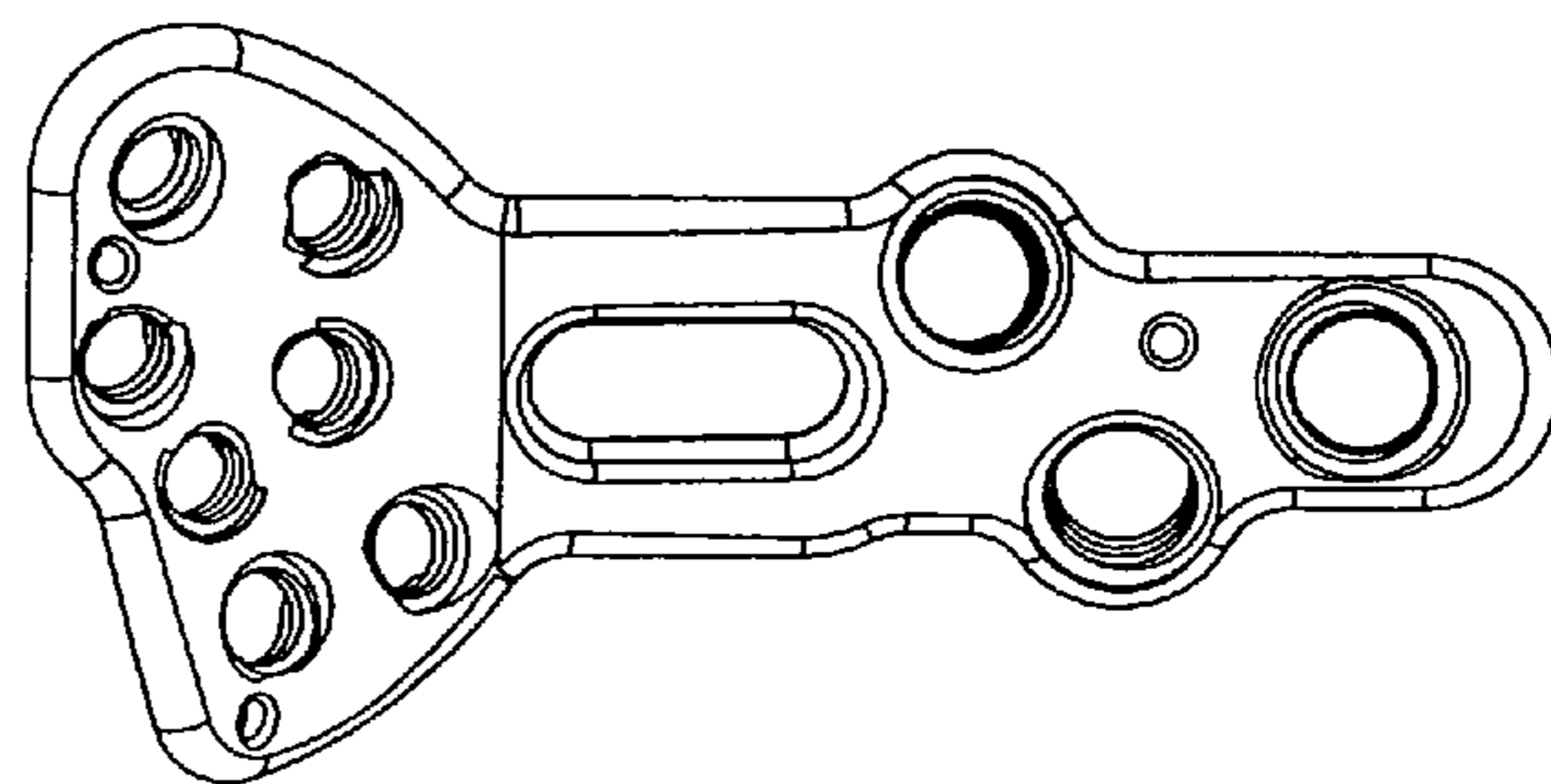
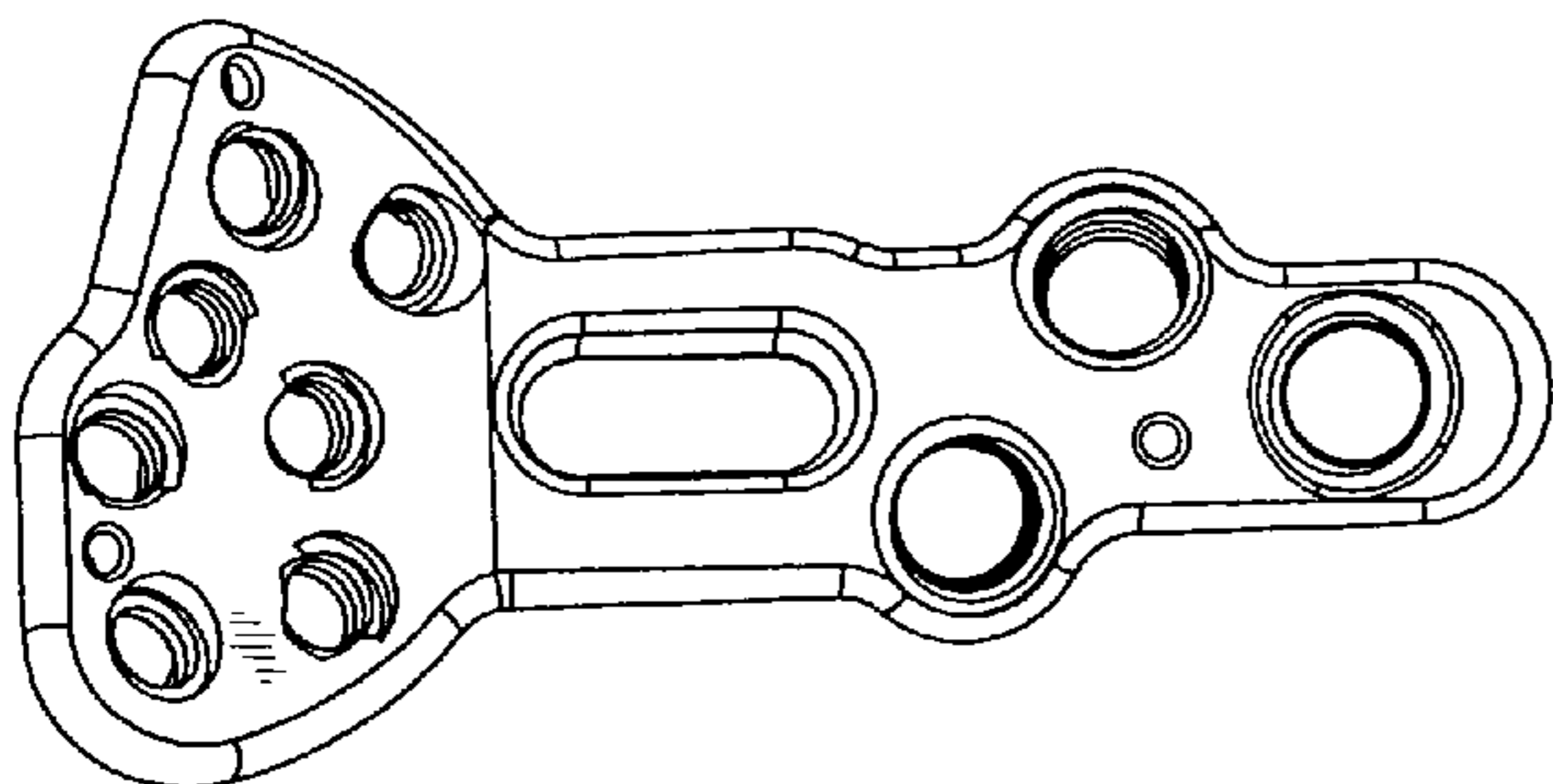
FIG. 9 is a bottom plan view thereof;

FIG. 10 is a left end elevation thereof;

FIG. 11 is a right end elevation thereof; and,

FIG. 12 is a rear elevation thereof.

1 Claim, 2 Drawing Sheets



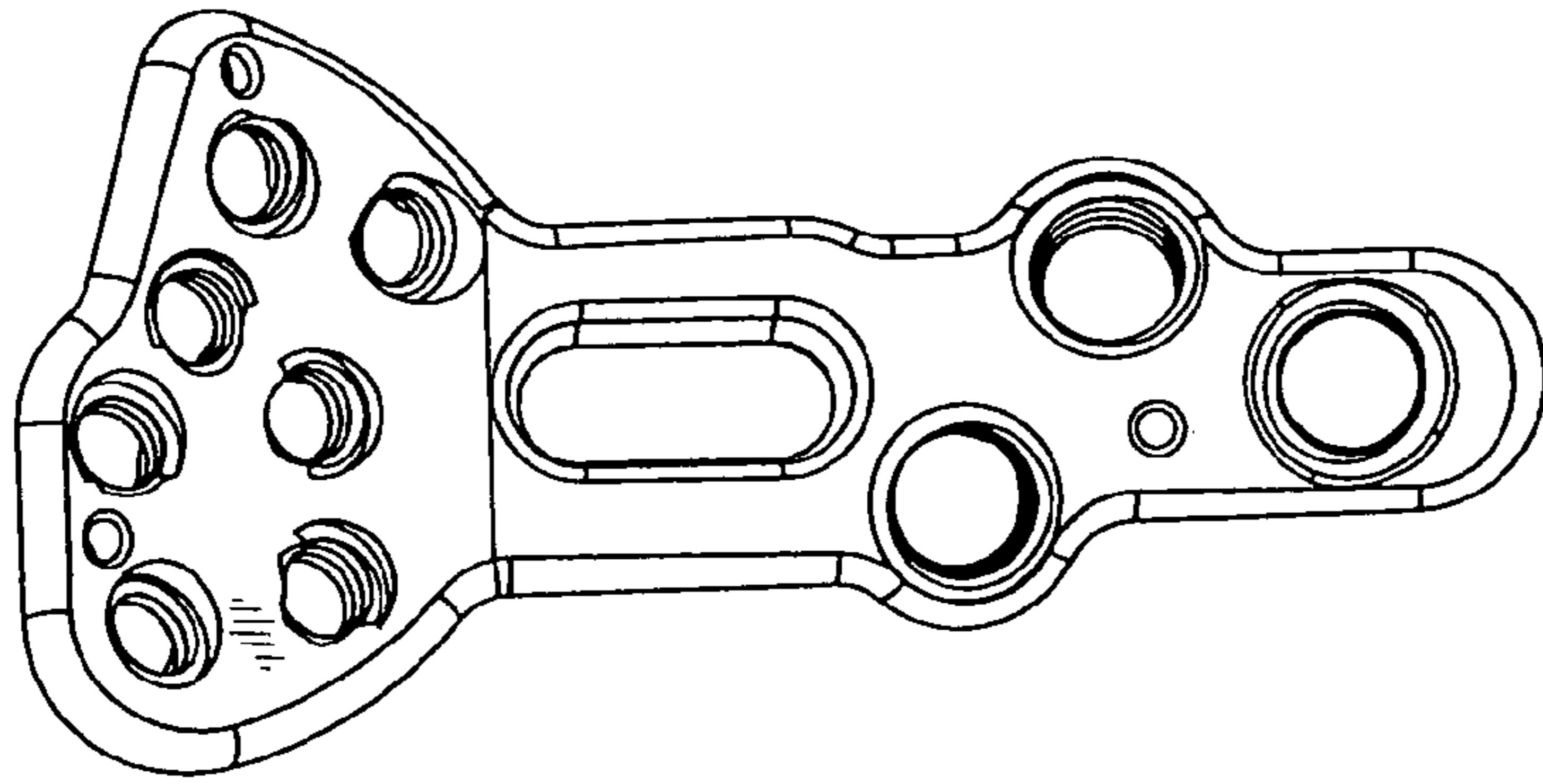


FIG. -2

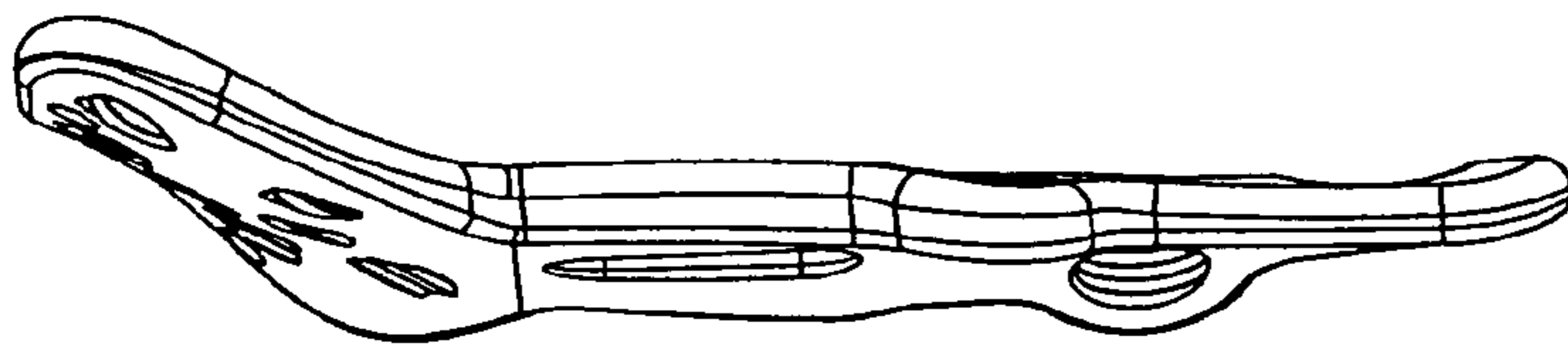


FIG. -1

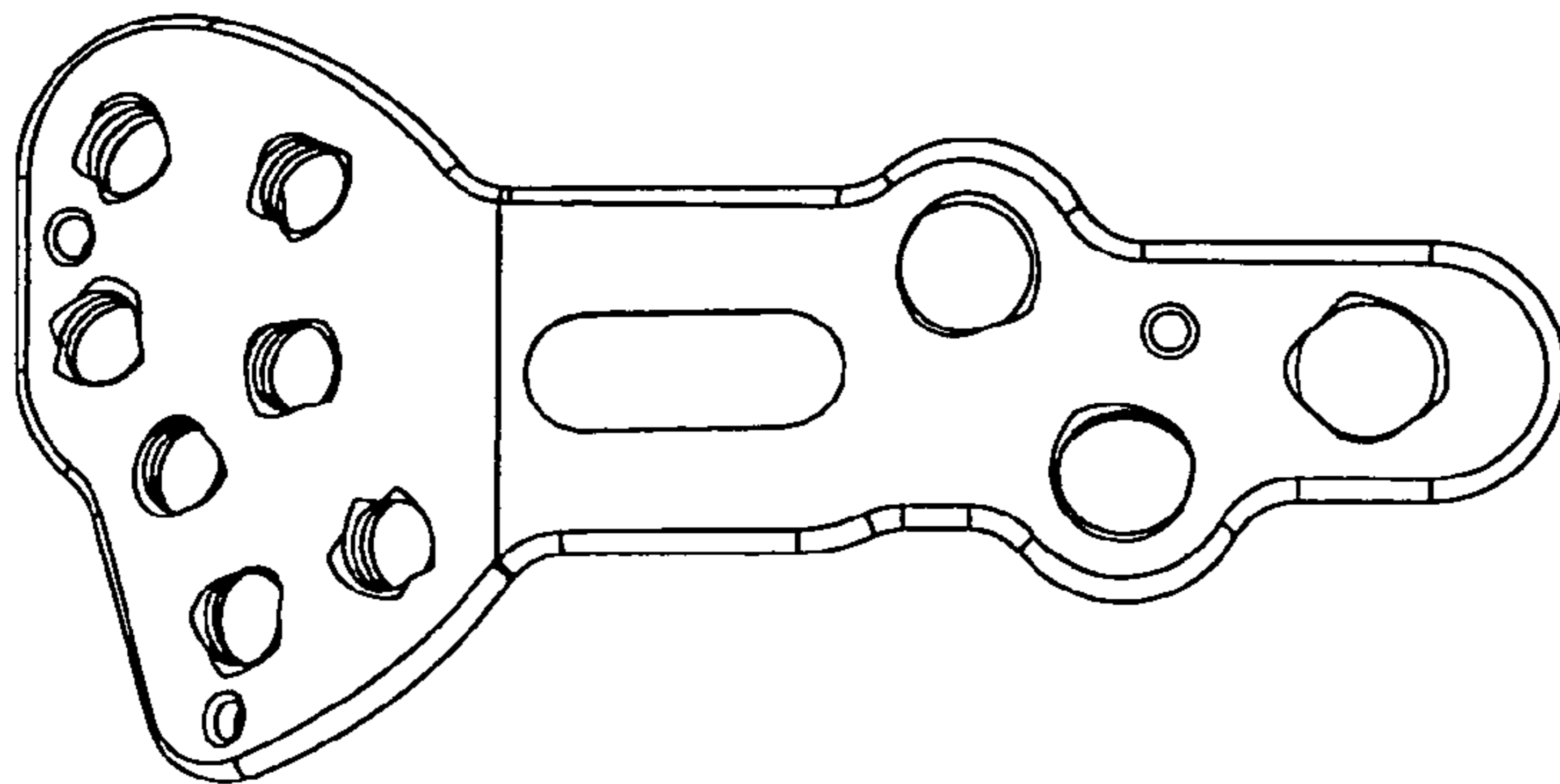


FIG. -3

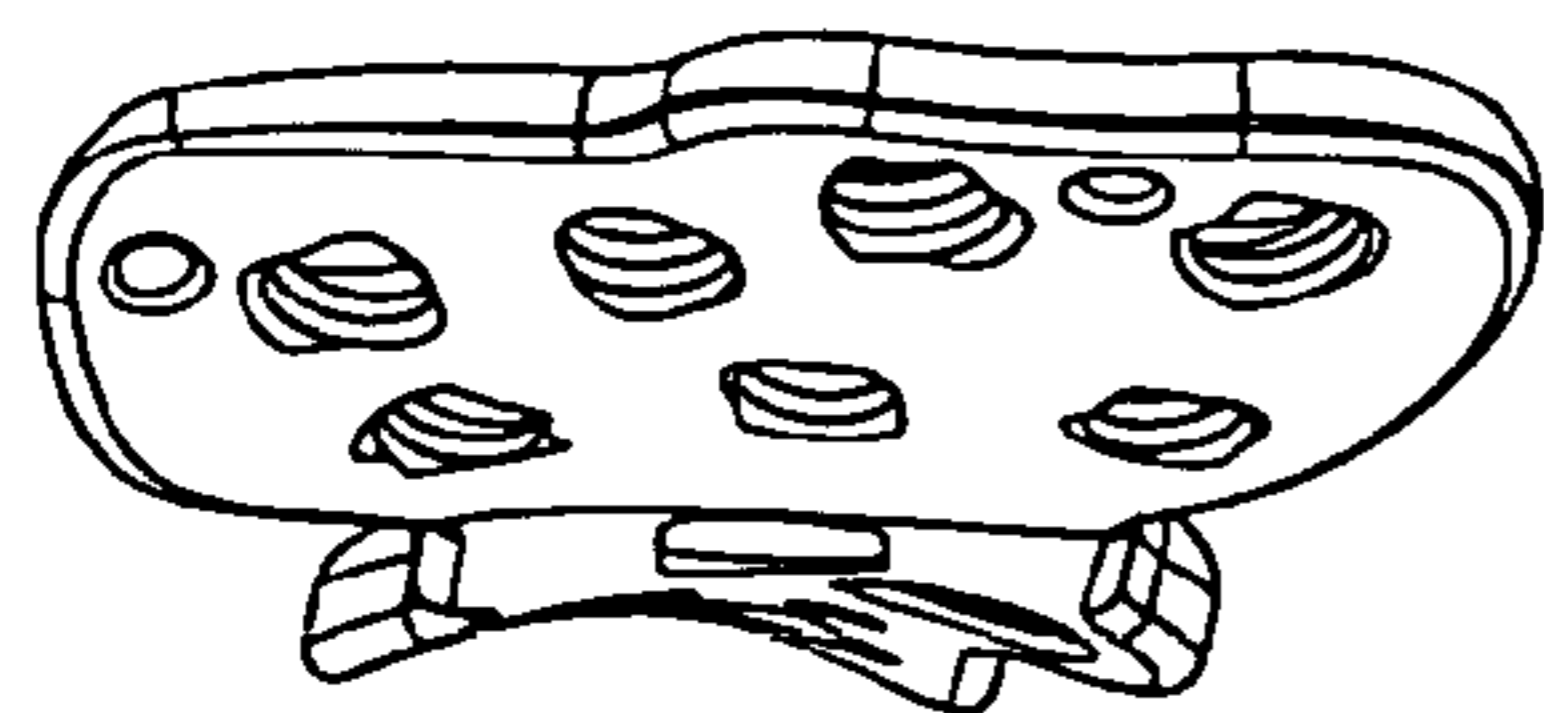


FIG. -4

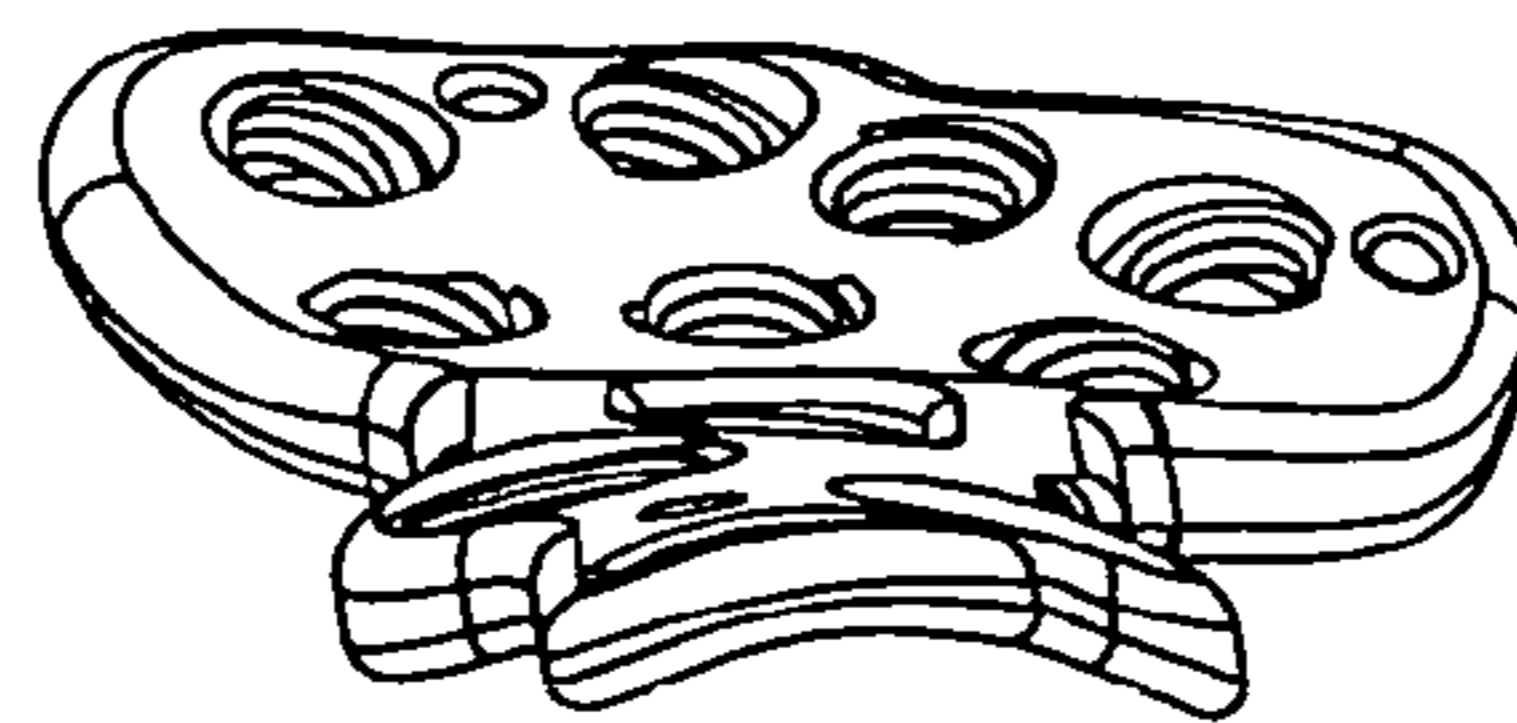


FIG. -5

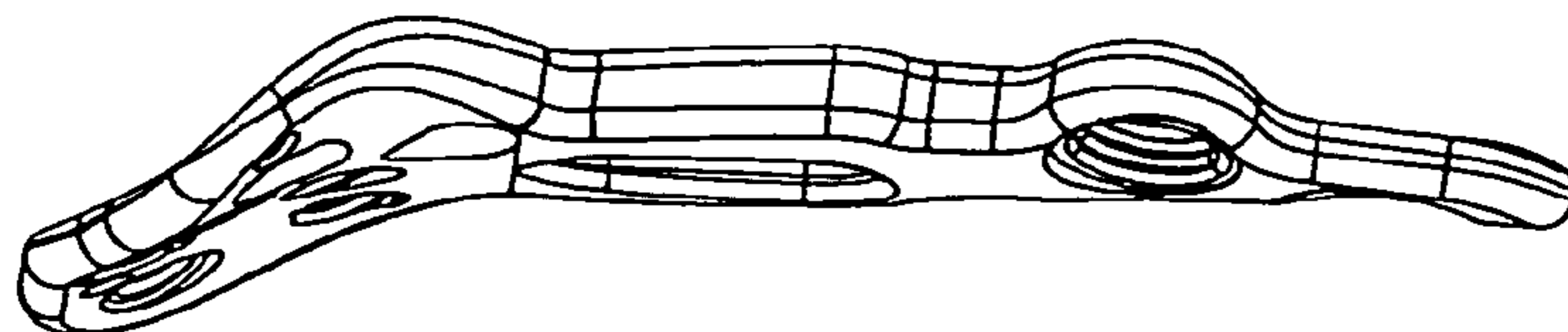


FIG. -6

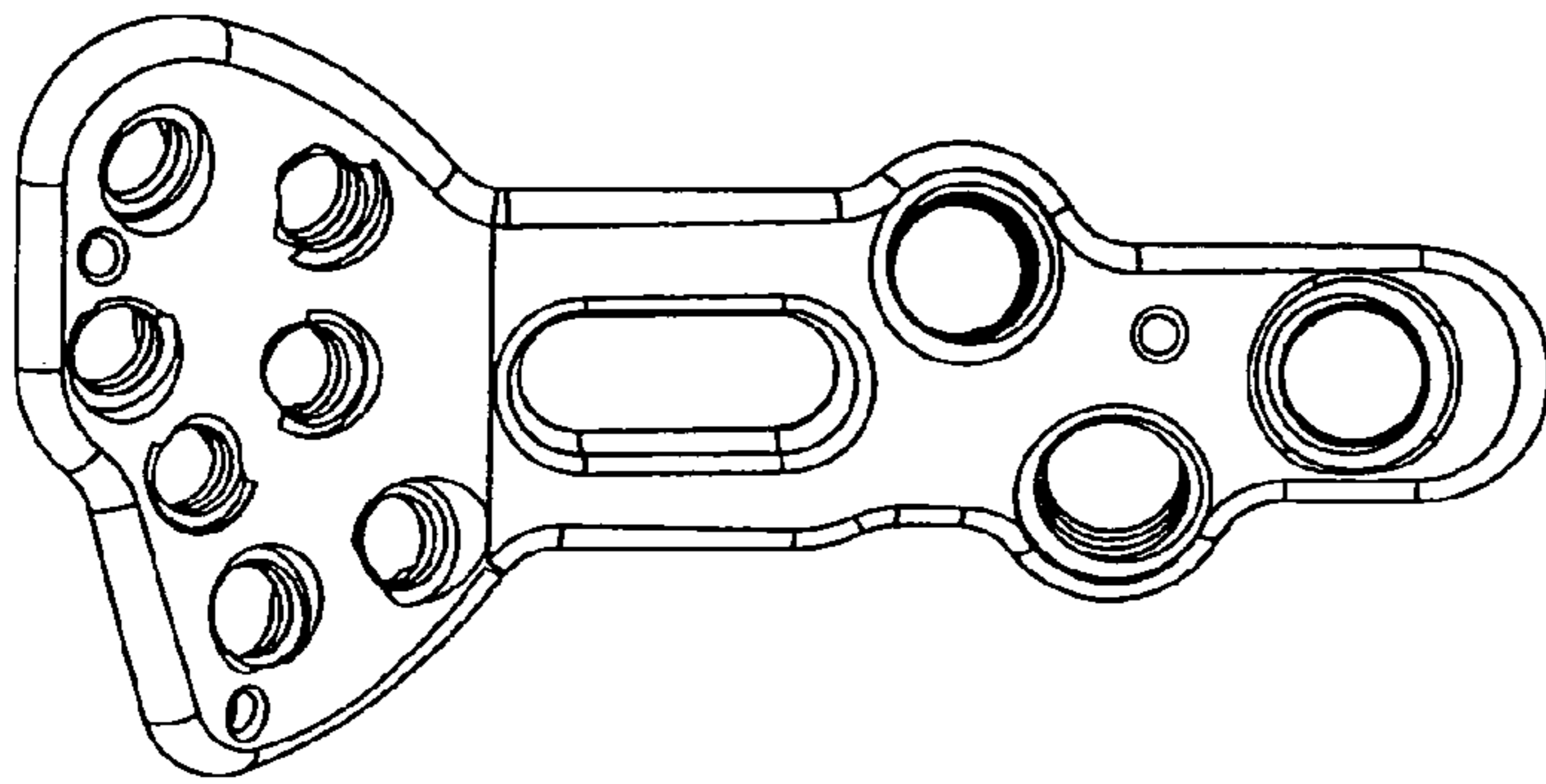


FIG.-8

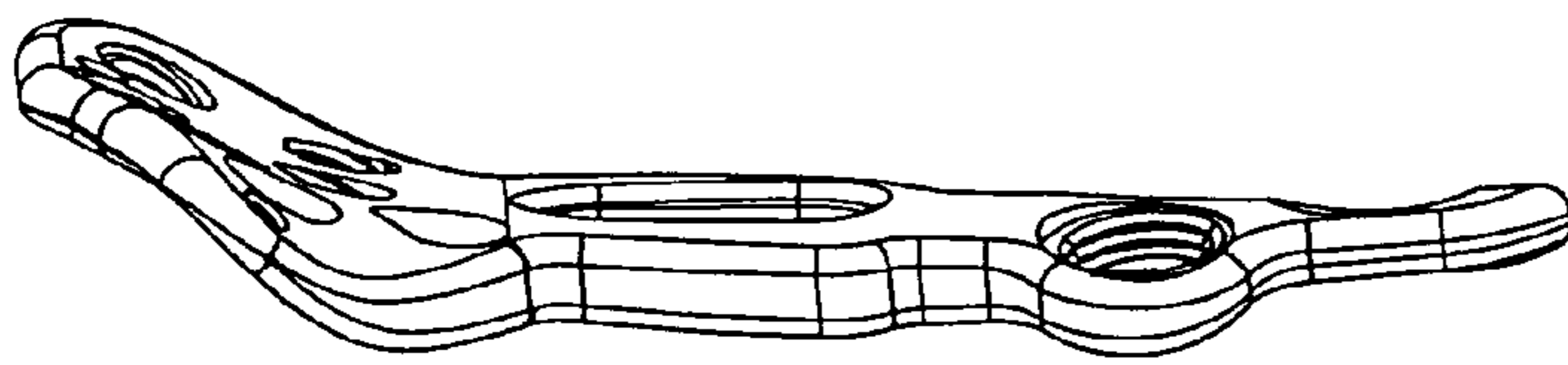


FIG.-7

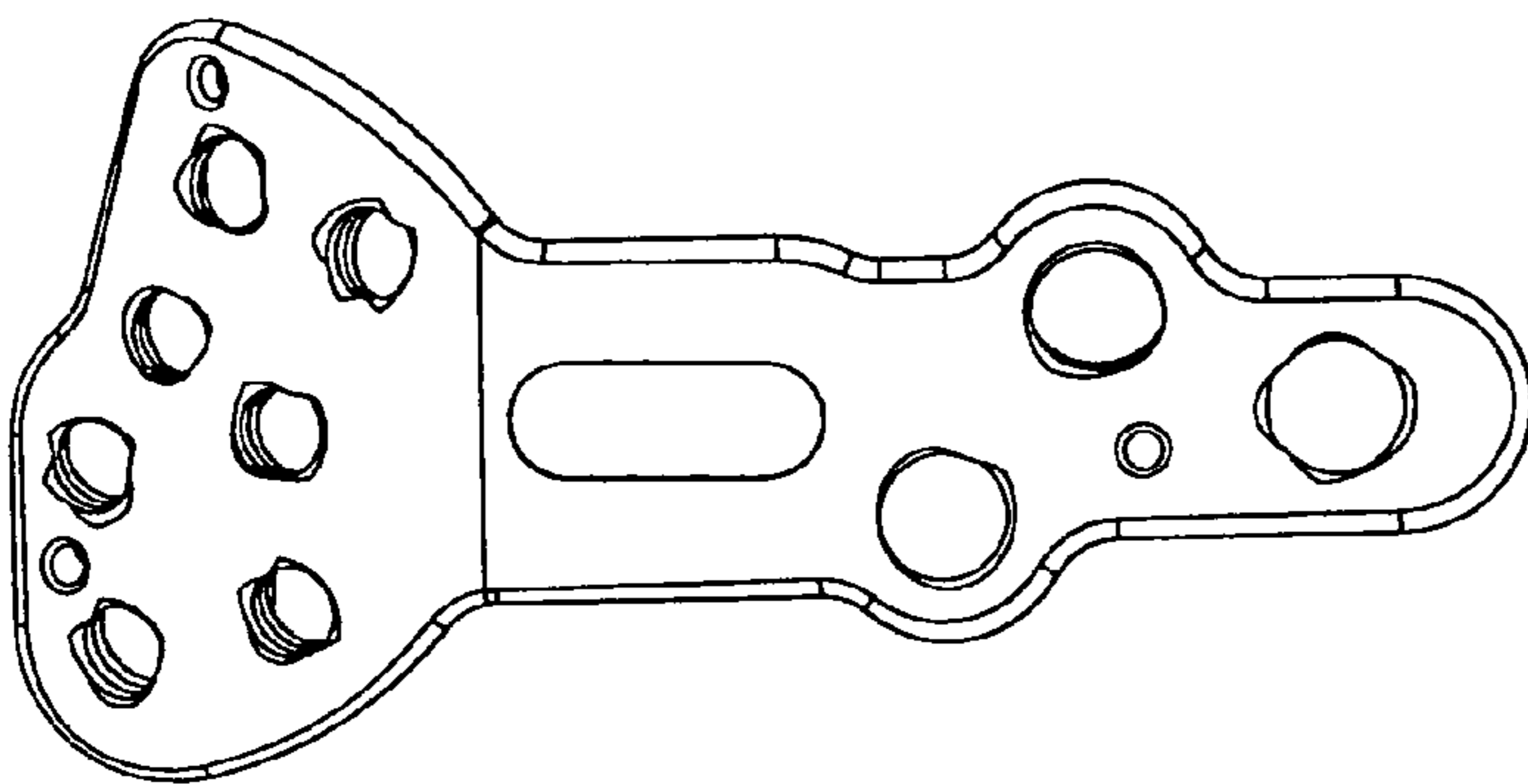


FIG.-9

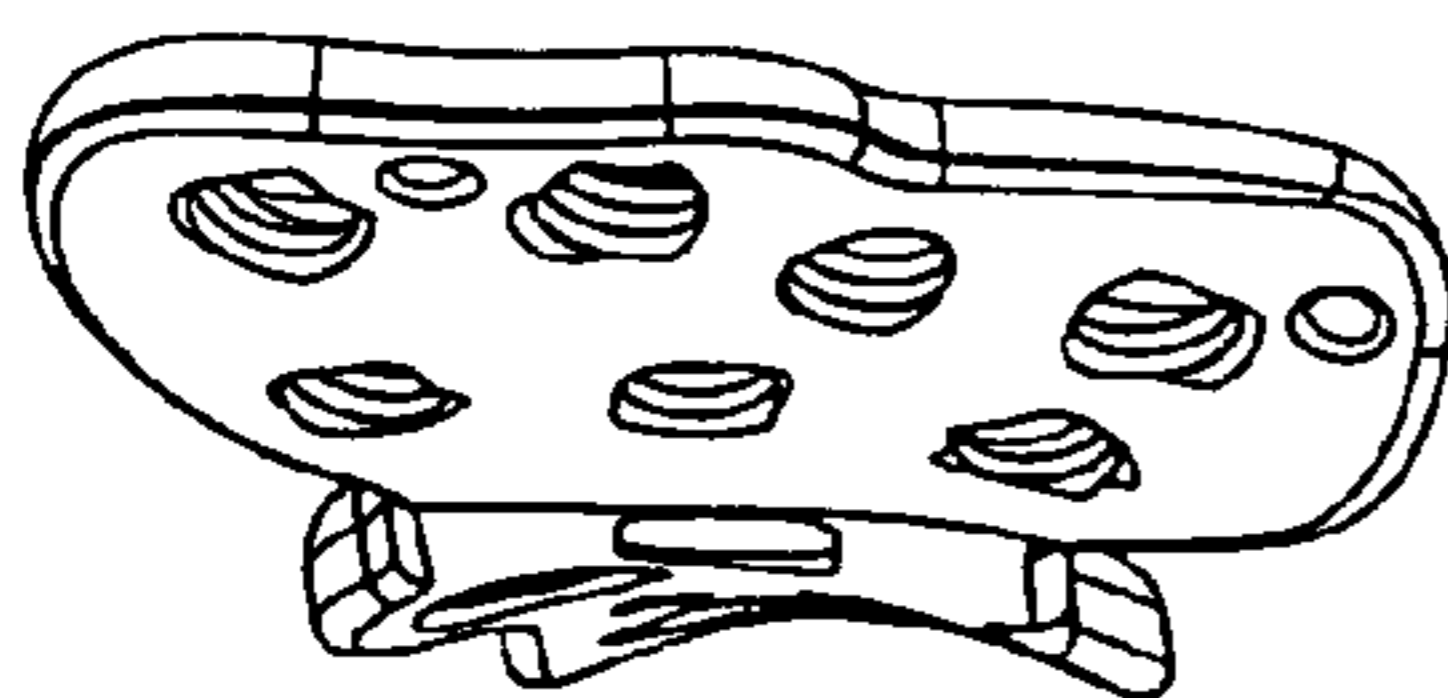


FIG.-10

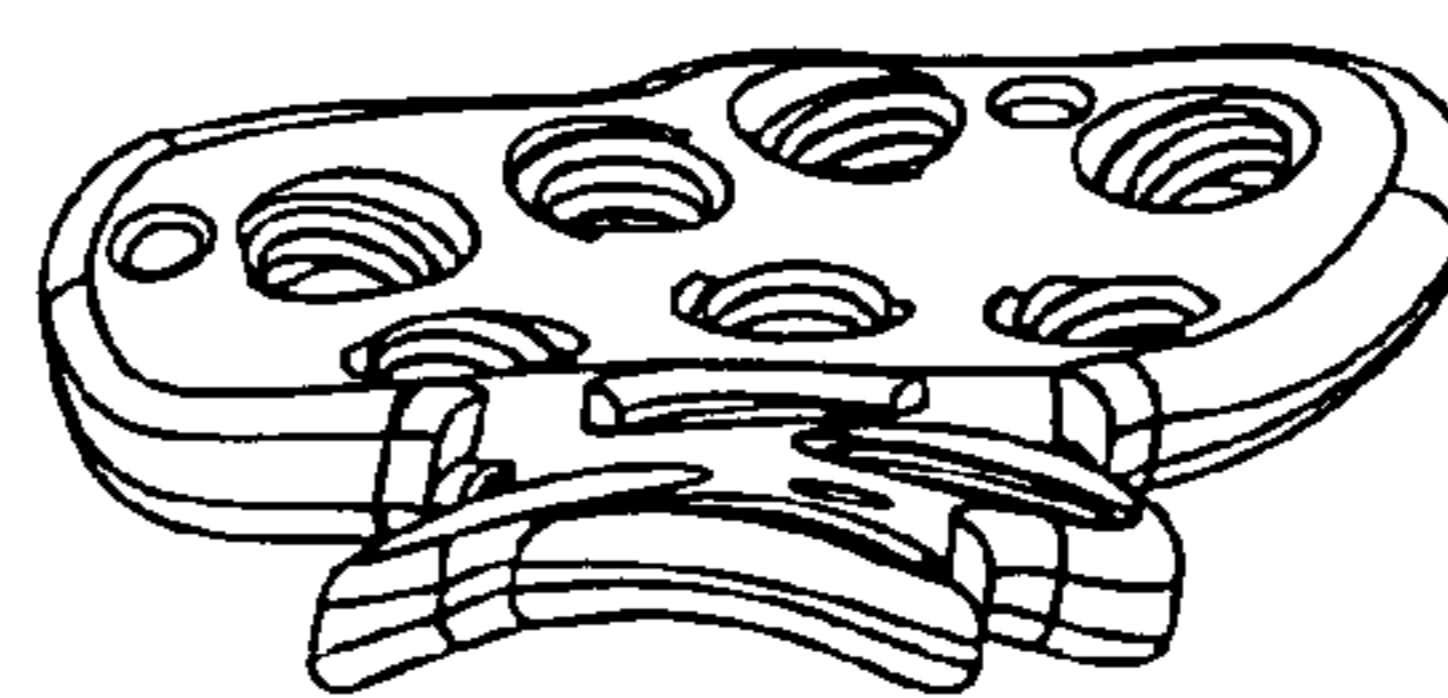


FIG.-11

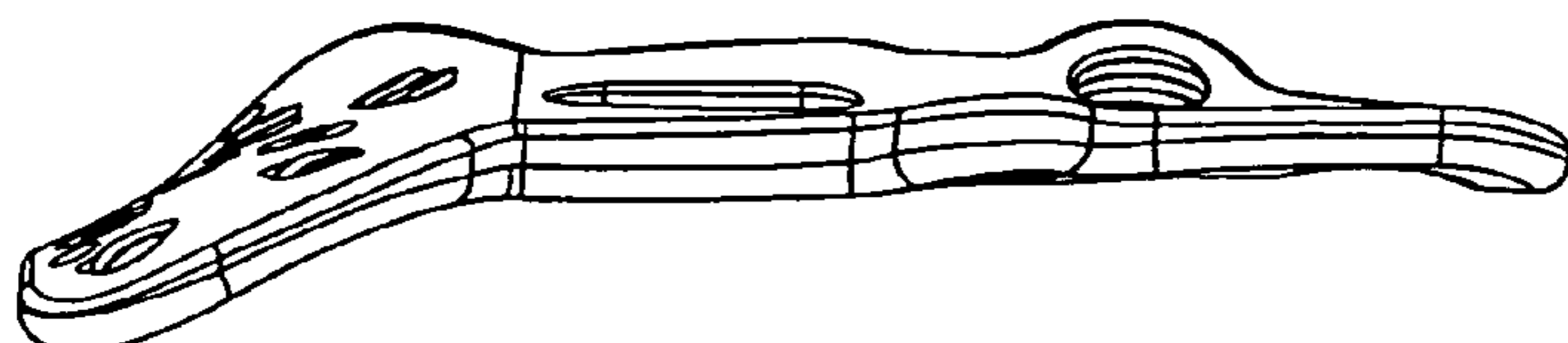


FIG.-12