



US00D576730S

(12) **United States Design Patent**
Kim

(10) **Patent No.:** **US D576,730 S**
(45) **Date of Patent:** **** Sep. 9, 2008**

(54) **DENTAL FILING TOOL**

(76) Inventor: **Daniel S. Y. Kim**, 215 Dubois Ct.,
Vancouver, WA (US) 98661

(**) Term: **14 Years**

(21) Appl. No.: **29/285,421**

(22) Filed: **Mar. 28, 2007**

Related U.S. Application Data

(63) Continuation-in-part of application No. 10/945,033,
filed on Sep. 21, 2004, and a continuation-in-part of
application No. 11/271,291, filed on Nov. 12, 2005.

(51) **LOC (8) Cl.** **24-02**

(52) **U.S. Cl.** **D24/152; D24/147**

(58) **Field of Classification Search** D24/133,
D24/147, 146, 152, 162, 156, 155, 176; 433/142,
433/148, 149, 141, 143, 166; 132/321, 329
See application file for complete search history.

(56) **References Cited**

U.S. PATENT DOCUMENTS

788,947	A	5/1905	Roth	
1,201,875	A	10/1916	Russ	
2,148,734	A	2/1939	Du Jat	
2,288,011	A	6/1942	Mizzzy	
2,702,555	A	2/1955	De Mar	
2,730,804	A	1/1956	Saupe	
2,736,327	A	2/1956	Schlicksupp	
2,771,085	A	11/1956	Flemming	
2,842,844	A *	7/1958	Seal	433/166
3,411,723	A	11/1968	Kohn	
3,624,908	A	12/1971	Ricketts et al.	
3,771,537	A *	11/1973	Schole	433/142
4,030,198	A	6/1977	Gerber	
4,592,729	A	6/1986	Bilciurescu	
5,084,978	A	2/1992	McReynolds	
5,127,415	A *	7/1992	Preciutti	132/323

5,312,250	A *	5/1994	Ellman et al.	433/77
6,234,793	B1 *	5/2001	Brattesani et al.	433/39
6,386,873	B1 *	5/2002	Blank	433/142
6,508,649	B2 *	1/2003	Gratz	433/142
6,766,808	B2	7/2004	Gwen	
6,890,176	B2 *	5/2005	Hahn	433/39
7,055,530	B2 *	6/2006	Husted	132/321
2005/0118554	A1 *	6/2005	Kilcher et al.	433/141
2005/0271999	A1	12/2005	Fishburne, Jr.	
2006/0063131	A1	3/2006	Kim	
2006/0093991	A1	5/2006	Kim	
2006/0183075	A1	8/2006	Kim	

FOREIGN PATENT DOCUMENTS

JP 7-194618 8/1995

* cited by examiner

Primary Examiner—Ian Simmons

Assistant Examiner—Wan Laymon

(74) *Attorney, Agent, or Firm*—Rylander & Associates PC;
Kurt M. Rylander; Marr E. Beatty

(57) **CLAIM**

The ornamental design for a dental filing tool, as shown and described.

DESCRIPTION

FIG. 1 is a perspective front and side view of a dental filing tool showing my new design.

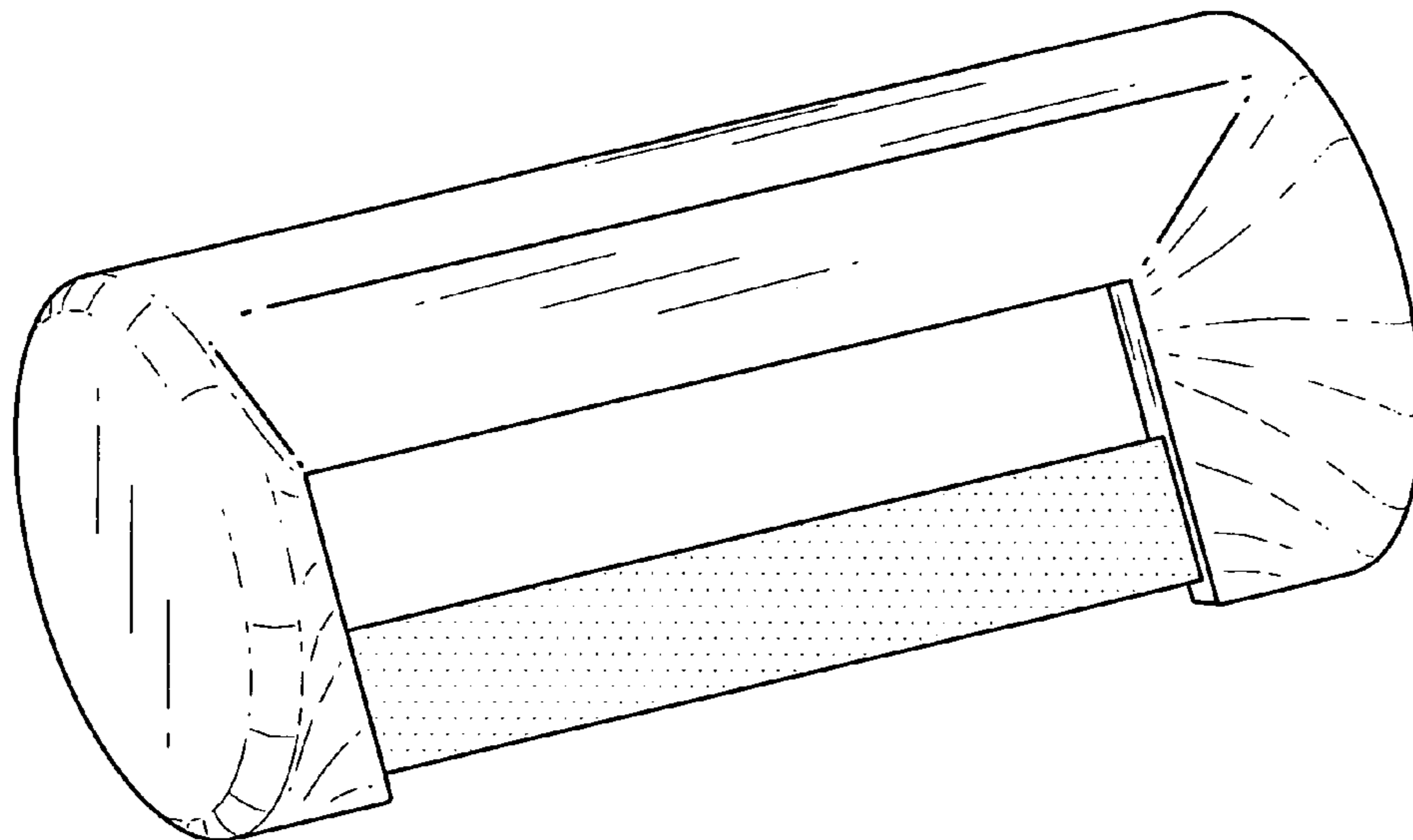
FIG. 2 is a side elevational view of a dental filing tool showing my new design.

FIG. 3 is an end elevational view of a dental filing tool showing my new design.

FIG. 4 is a top plan view of a dental filing tool showing my new design; and,

FIG. 5 is a bottom plan view of a dental filing tool showing my new design.

1 Claim, 2 Drawing Sheets



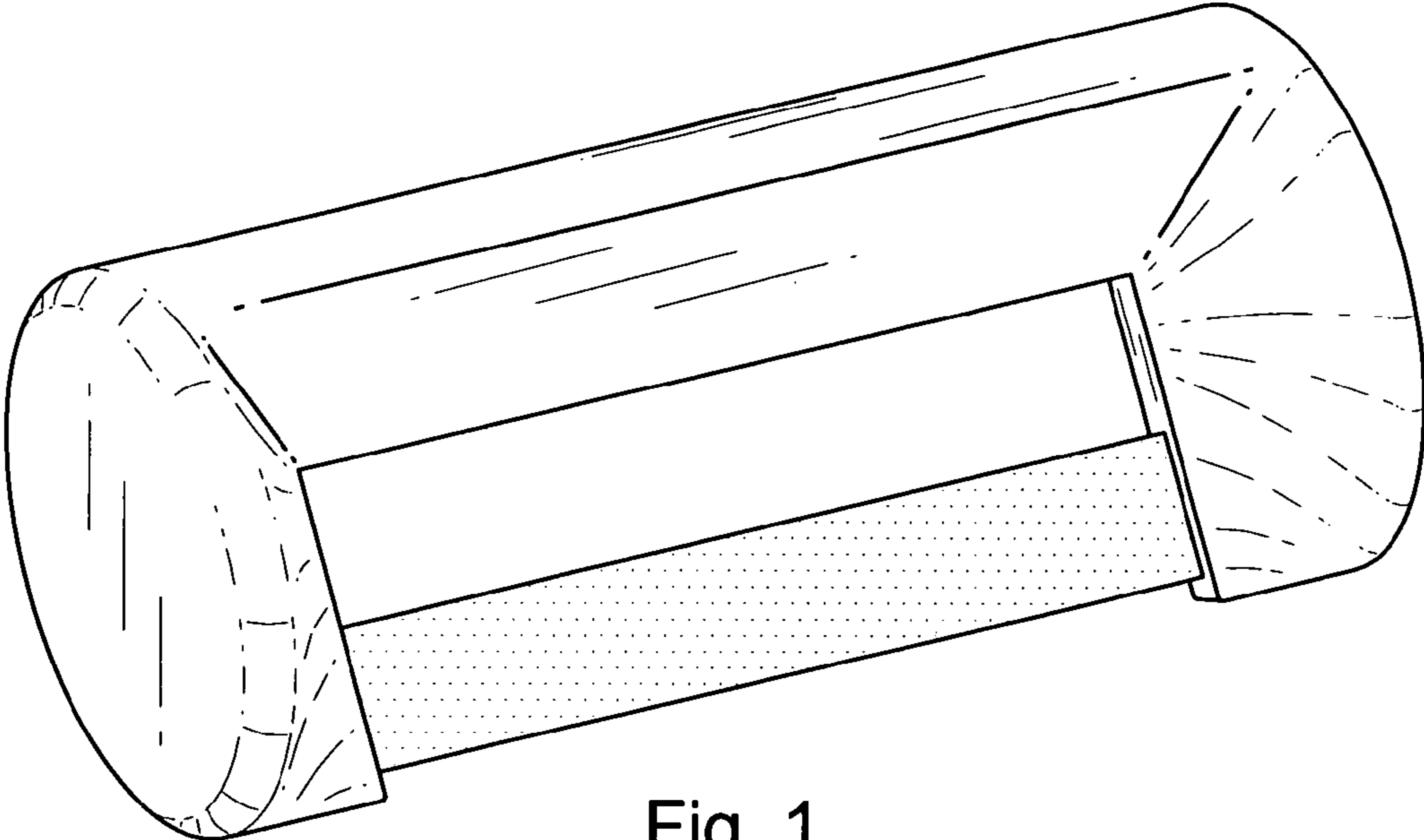


Fig. 1

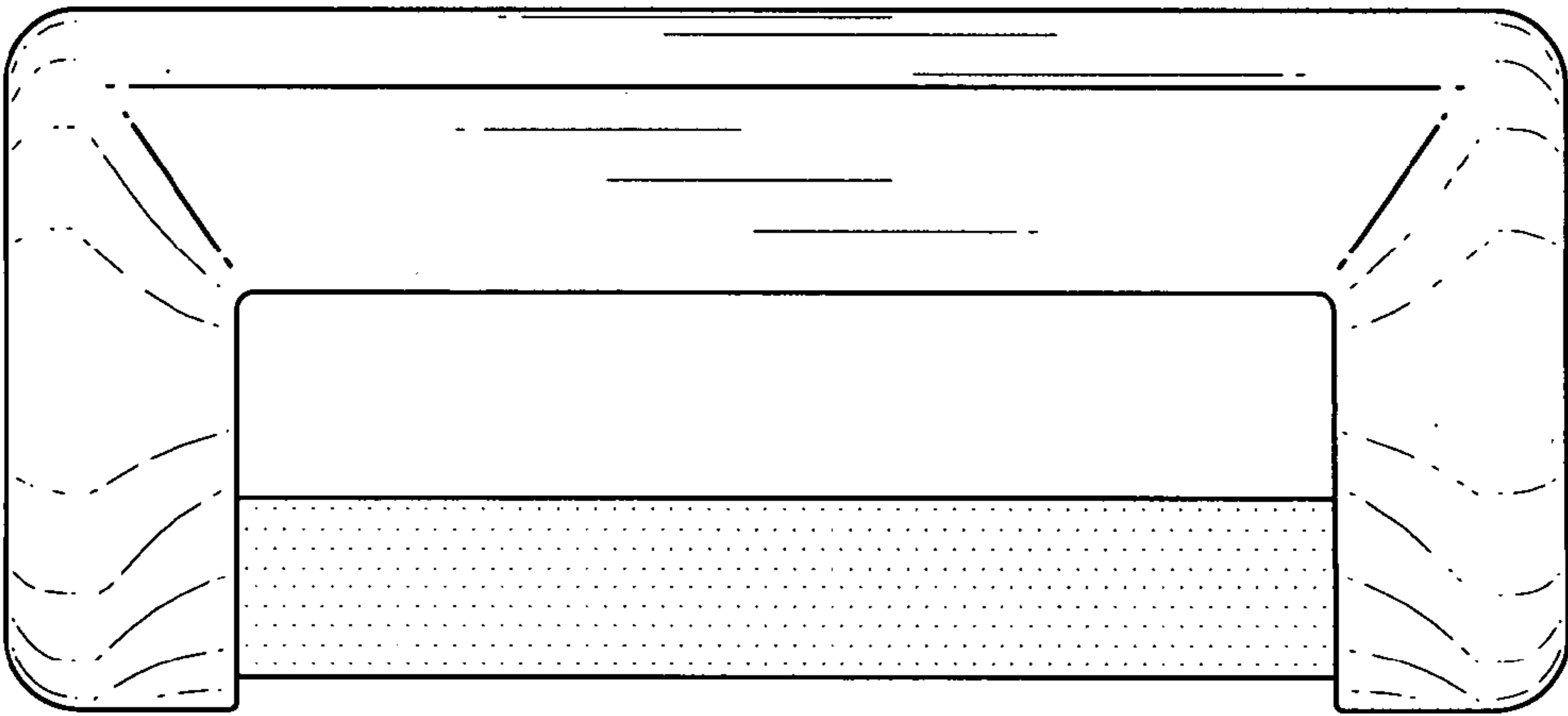


Fig. 2

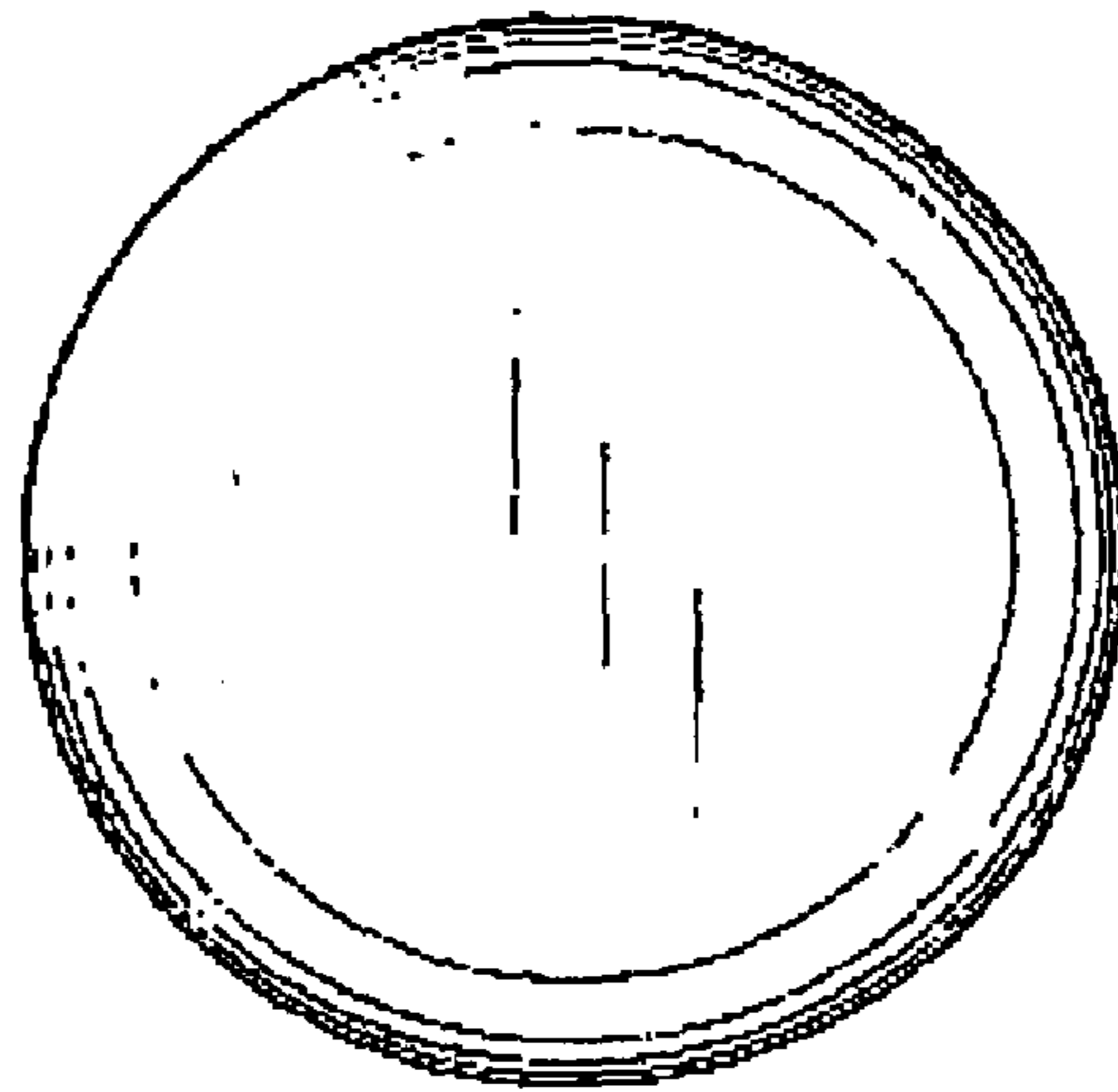


Fig. 3

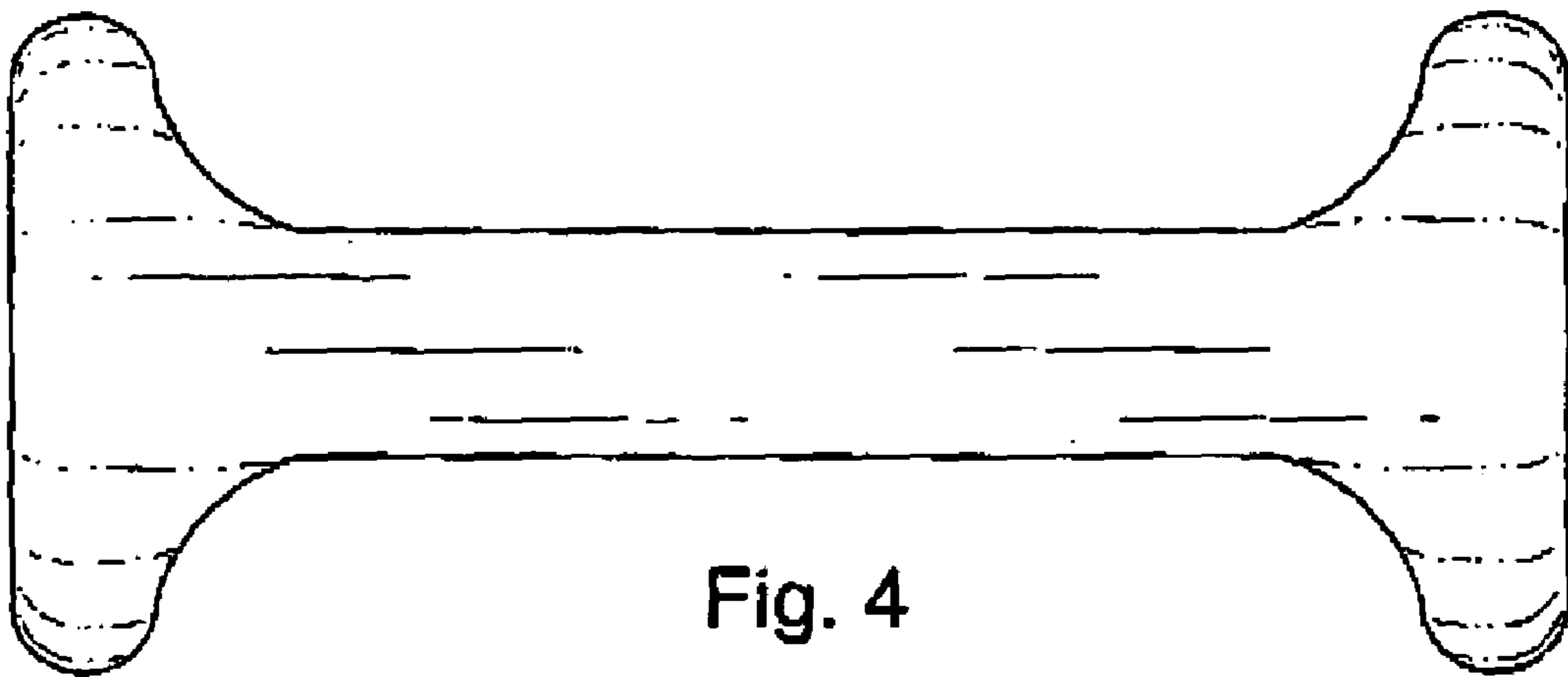


Fig. 4

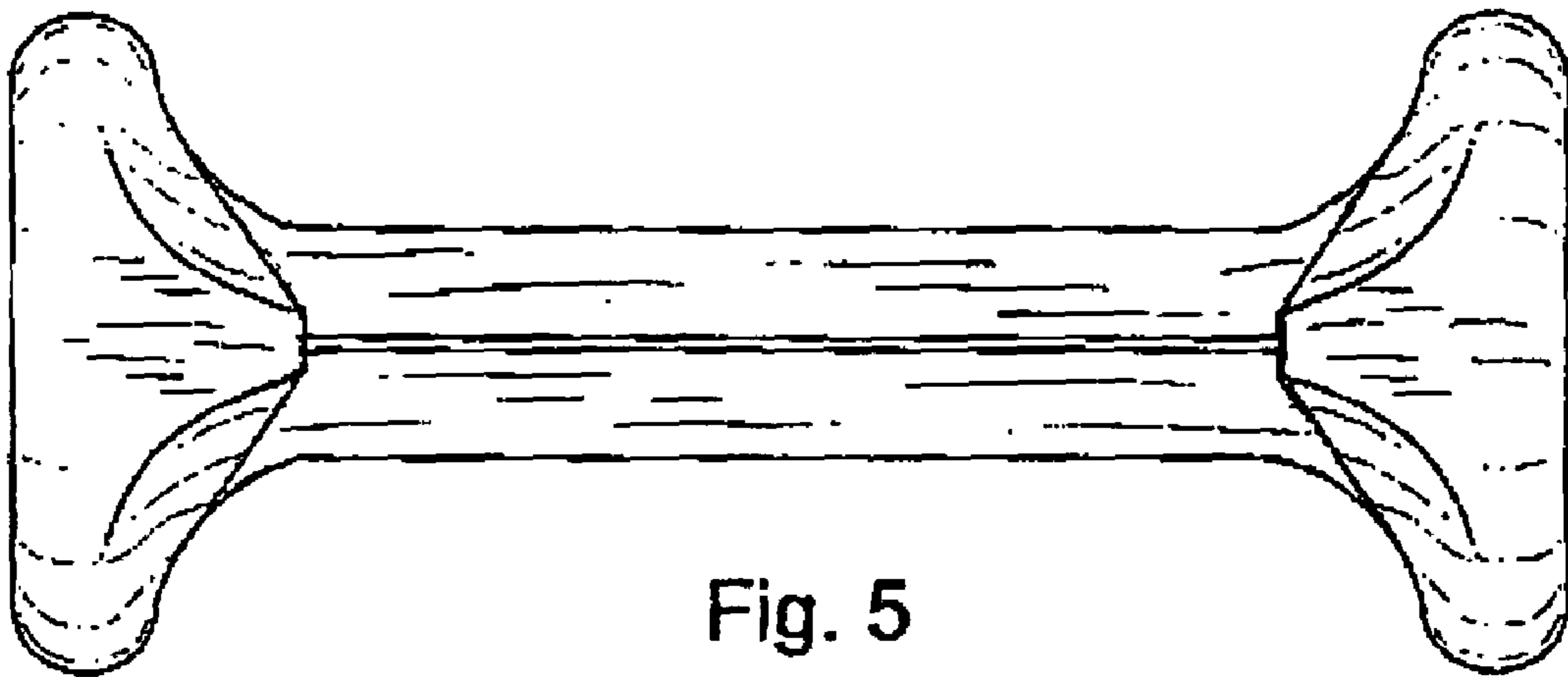


Fig. 5