



US00D576728S

(12) **United States Design Patent**
Yates

(10) **Patent No.:** **US D576,728 S**

(45) **Date of Patent:** **** Sep. 9, 2008**

(54) **MEDICAL INSTRUMENT HANDLE**

(75) Inventor: **Leroy L. Yates**, 4078 18th Ave.,
Bettendorf, IA (US) 52722

(73) Assignee: **Leroy L. Yates**, Bettendorf, IA (US)

(**) Term: **14 Years**

(21) Appl. No.: **29/288,997**

(22) Filed: **Jun. 29, 2007**

(51) **LOC (8) Cl.** **24-02**

(52) **U.S. Cl.** **D24/144**

(58) **Field of Classification Search** D24/133,
D24/144, 146, 147; 606/13, 27, 32, 41, 113
See application file for complete search history.

(56) **References Cited**

U.S. PATENT DOCUMENTS

4,711,238	A *	12/1987	Cunningham	606/79
D343,453	S *	1/1994	Noda	D24/133
D343,900	S *	2/1994	DeVries	D24/133
D358,645	S *	5/1995	Ryan et al.	D24/147
5,451,220	A *	9/1995	Ciervo	606/1
D449,691	S *	10/2001	Reiley et al.	D24/147
6,540,737	B2 *	4/2003	Bacher et al.	606/1
6,575,919	B1 *	6/2003	Reiley et al.	600/567
D506,260	S *	6/2005	Ryan	D24/133
7,195,631	B2 *	3/2007	Dumbauld	606/46
D547,867	S *	7/2007	Malis et al.	D24/144
D551,762	S *	9/2007	Root et al.	D24/133
2004/0049171	A1 *	3/2004	Mowry et al.	606/1

* cited by examiner

Primary Examiner—Ian Simmons

Assistant Examiner—Wan Laymon

(74) *Attorney, Agent, or Firm*—Hamilton IP Law, PC; Jay R. Hamilton; Charles A. Damschen

(57) **CLAIM**

The ornamental design for a medical instrument handle, as shown and described.

DESCRIPTION

This patent is related to patent application Ser. No. 11/824, 407, filed on Jun.29, 2007.

FIG. 1 is a front perspective view of a medical instrument handle showing my new design;

FIG. 2 is a rear perspective view thereof;

FIG. 3 is a right side view thereof;

FIG. 4 is a right side perspective thereof;

FIG. 5 is a left side view thereof;

FIG. 6 is a left side perspective thereof;

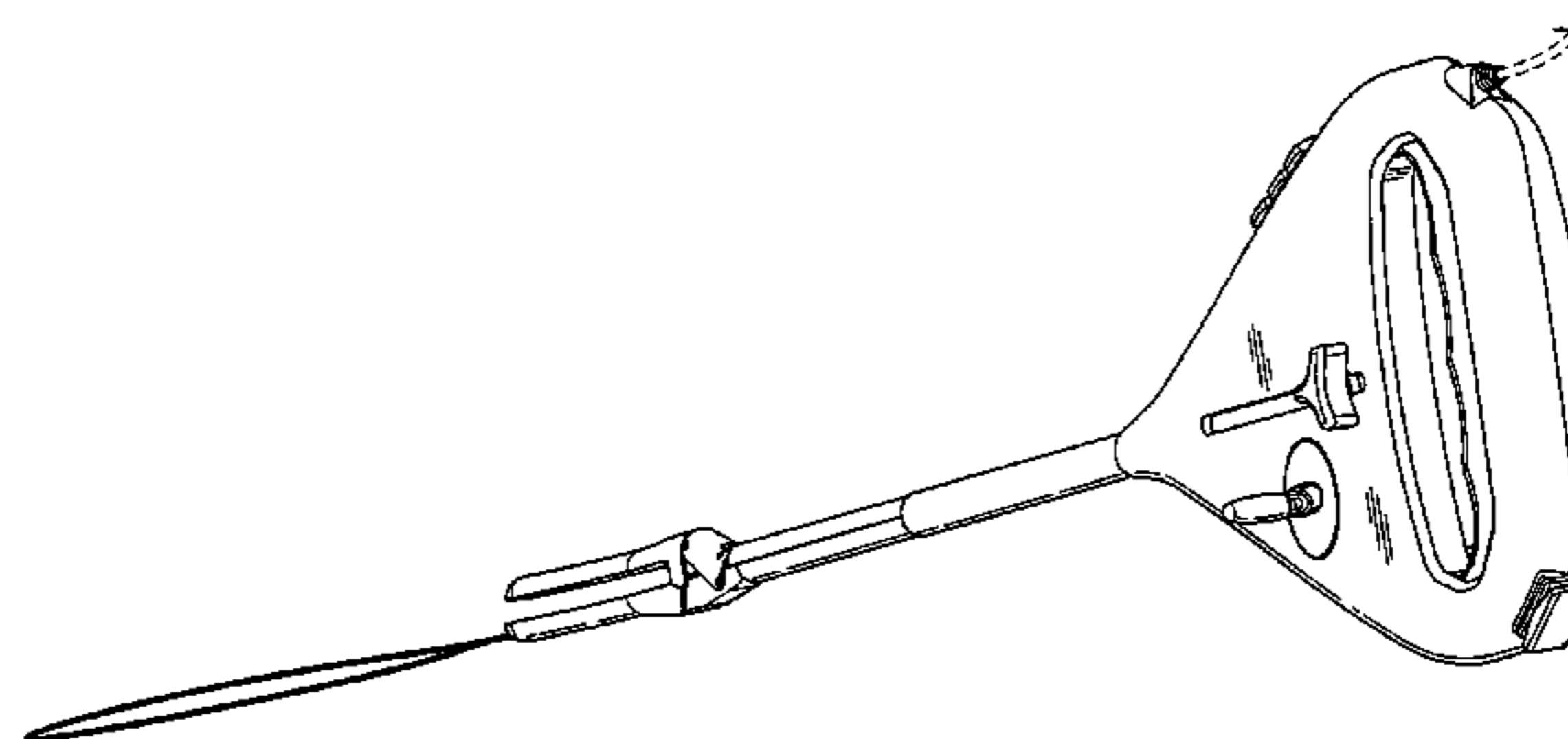
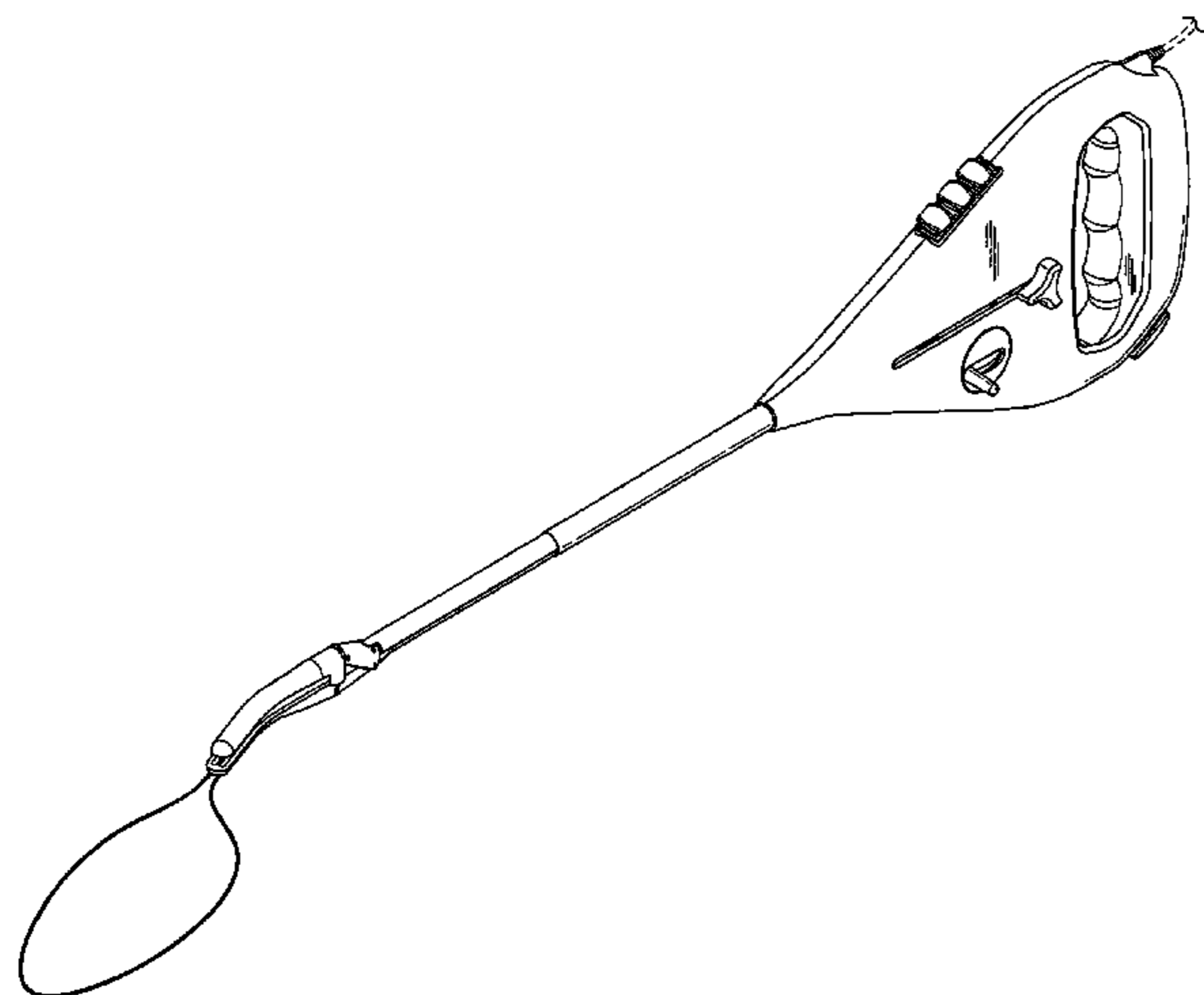
FIG. 7 is a top view;

FIG. 8 is a rear right side perspective view thereof; and,

FIG. 9 is a rear left side perspective view thereof.

The broken lines in the Figures are for illustrative purposes only and form no part of the claimed design.

1 Claim, 9 Drawing Sheets



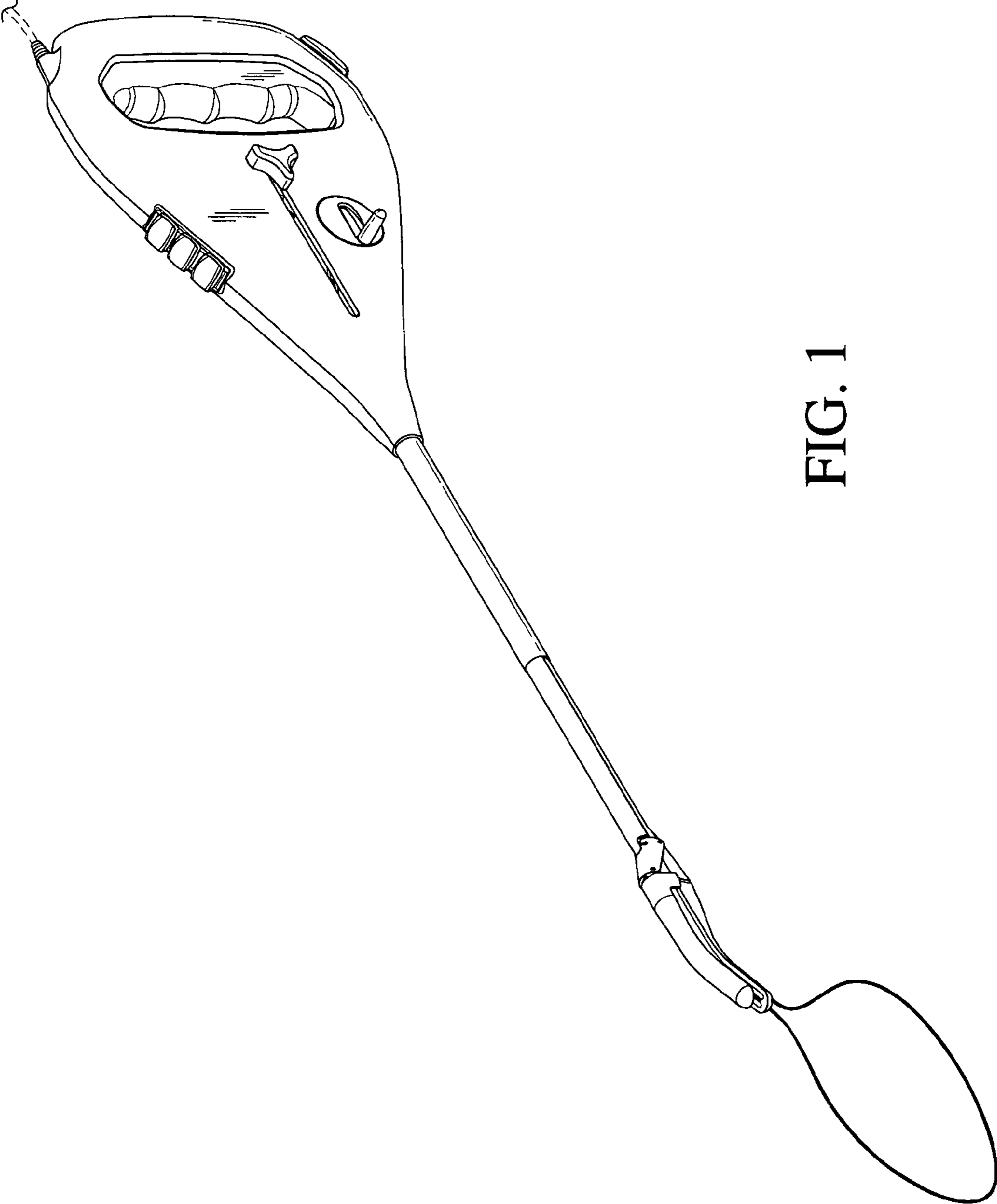


FIG. 1

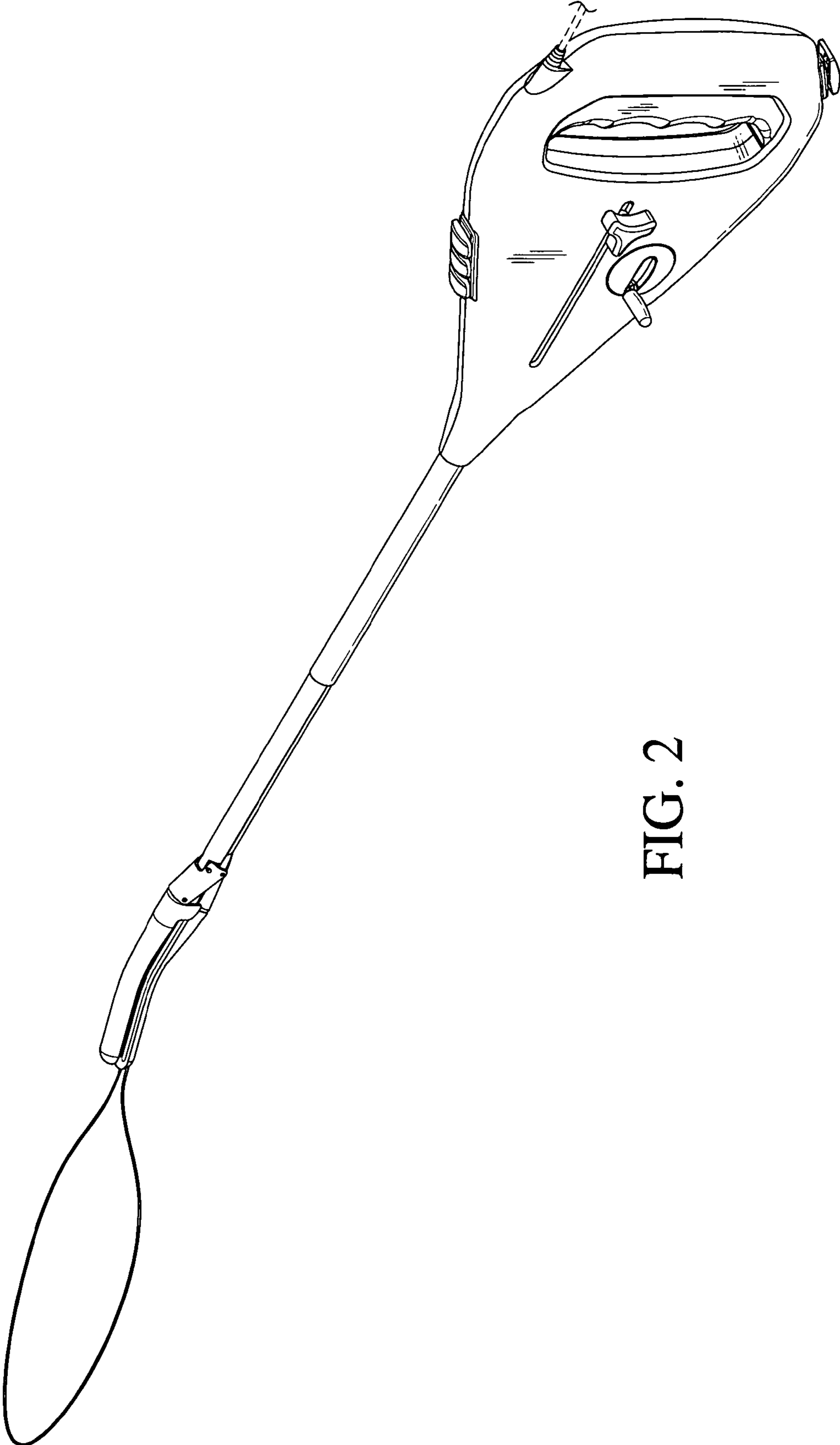


FIG. 2

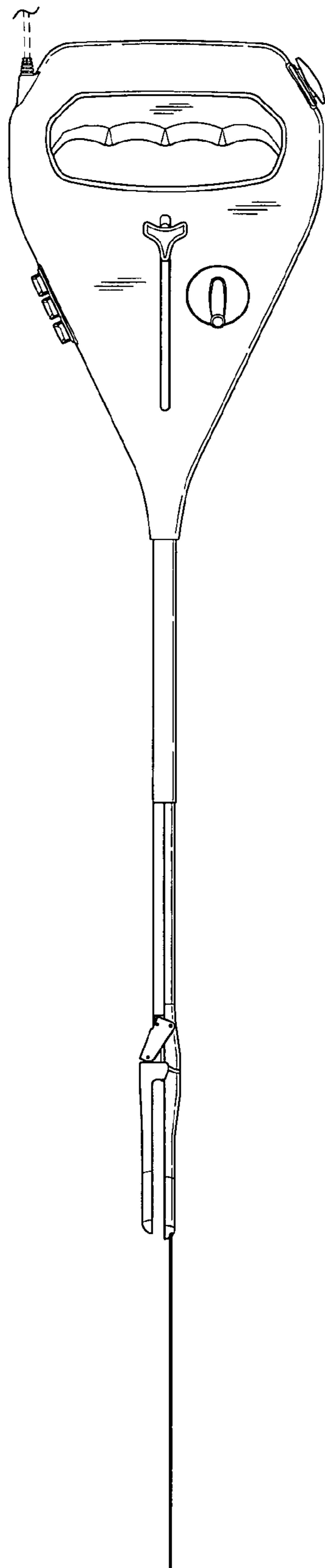


FIG. 3

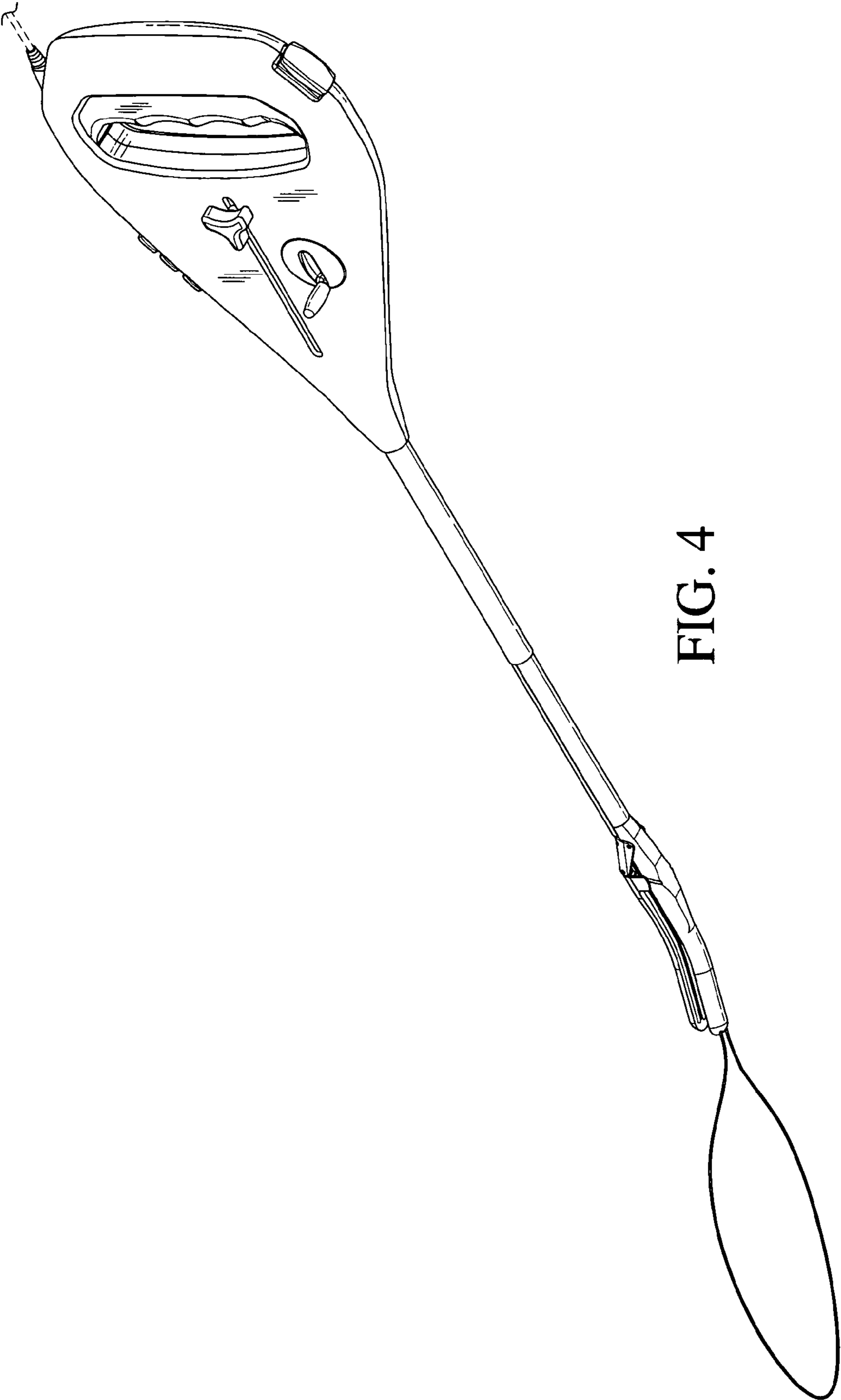


FIG. 4

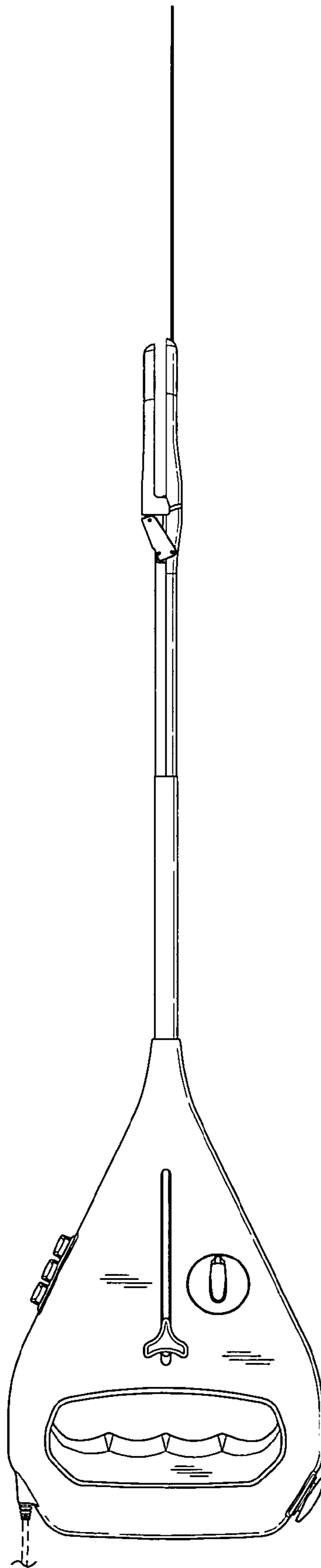


FIG. 5

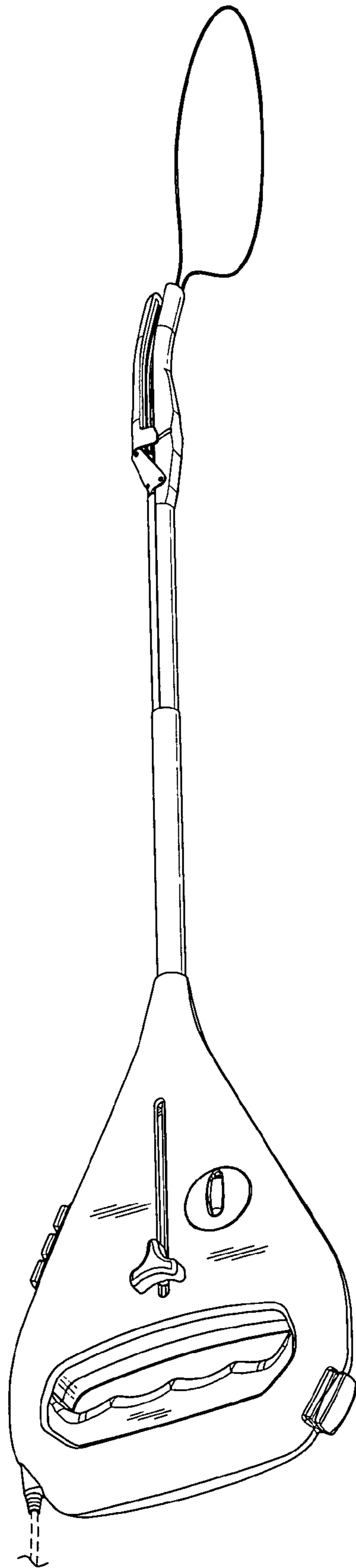


FIG. 6

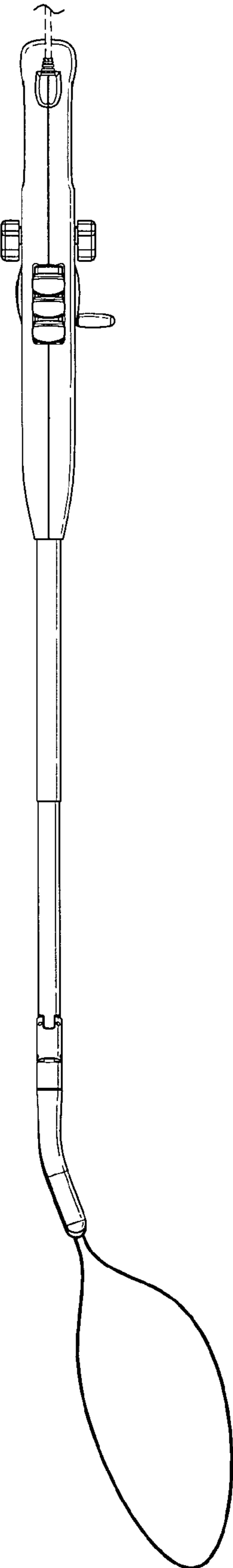


FIG. 7

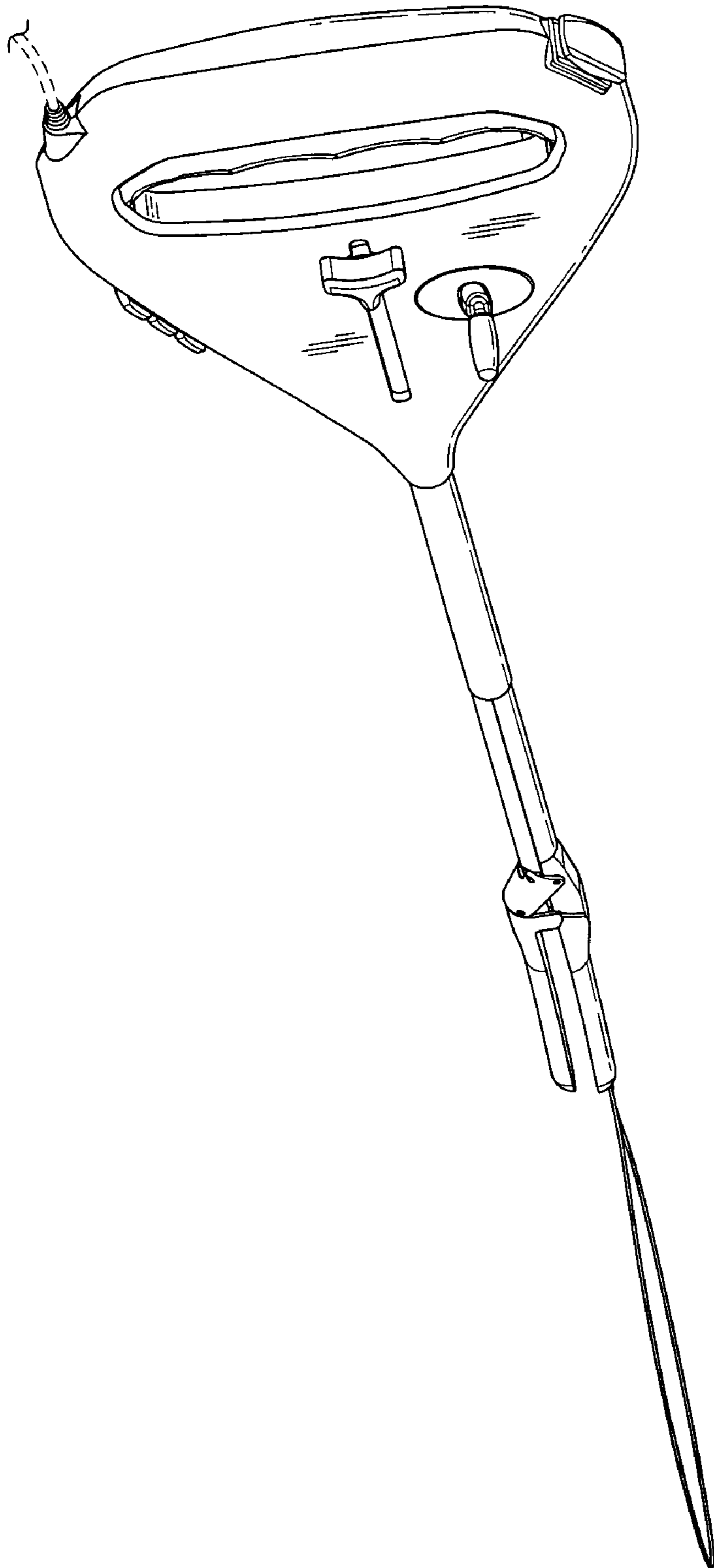


FIG. 8

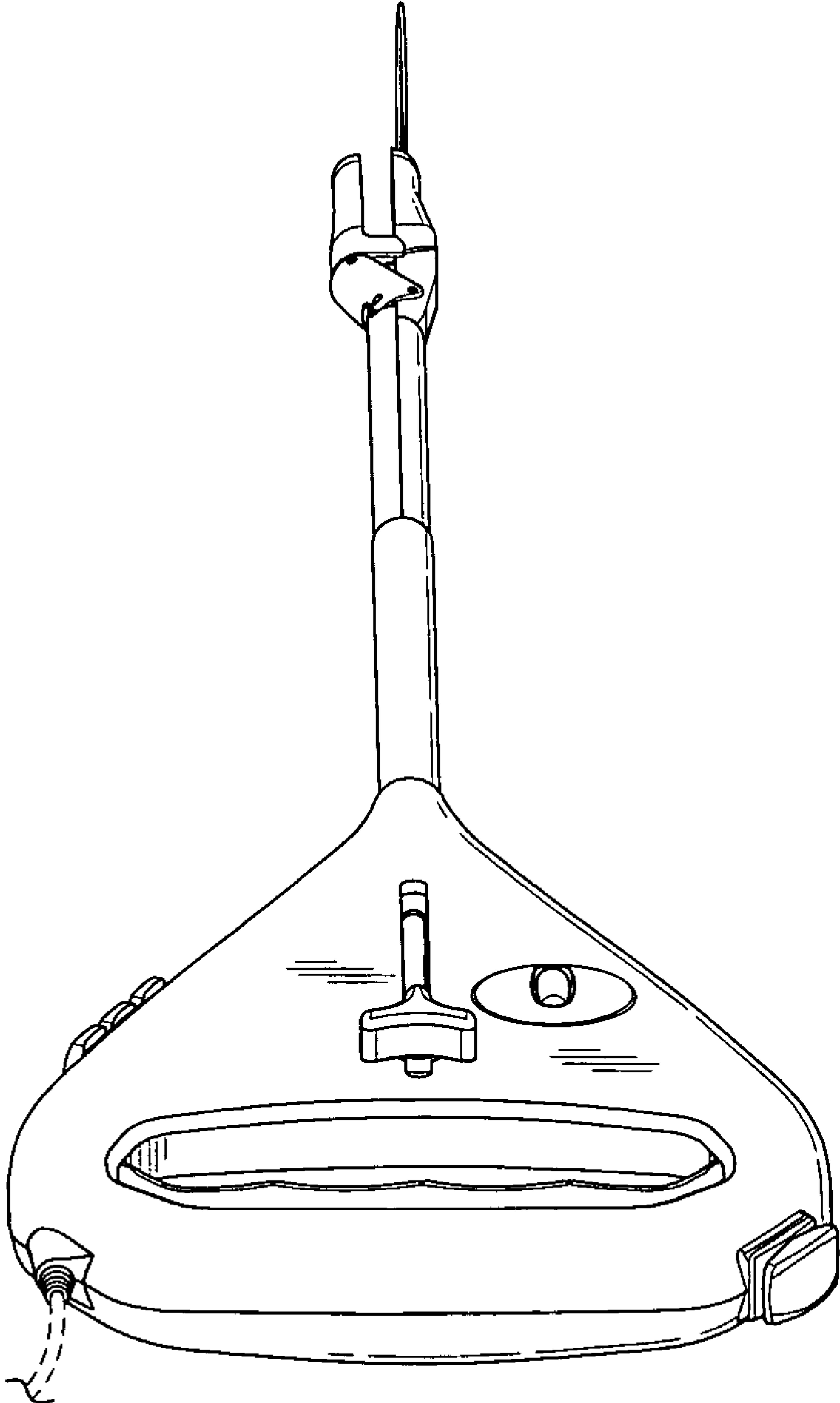


FIG. 9