



US00D576726S

(12) **United States Design Patent**  
**Maxwell**

(10) **Patent No.:**        **US D576,726 S**  
(45) **Date of Patent:**   **\*\* Sep. 9, 2008**

(54) **NASAL DILATOR**

(76) **Inventor:**   **Jefferson Scott Maxwell**, P.O. Box 256,  
Naselle, WA (US) 98638-0256

(\*\*) **Term:**       **14 Years**

(21) **Appl. No.:** **29/275,452**

(22) **Filed:**       **Dec. 27, 2006**

(51) **LOC (8) Cl.** ..... **24-02**

(52) **U.S. Cl.** ..... **D24/135; D24/106**

(58) **Field of Classification Search** ..... D24/106,  
D24/135; 606/199, 204.45; 604/164.1; 600/529,  
600/184; 128/848, 200.24, 206.11  
See application file for complete search history.

(56)               **References Cited**

U.S. PATENT DOCUMENTS

1,256,188	A *	2/1918	Wilson	.....	606/199
3,905,335	A *	9/1975	Kapp	.....	128/206.11
D251,017	S *	2/1979	Amezcuca	.....	D24/106
5,665,104	A *	9/1997	Lee	.....	606/199
5,775,335	A *	7/1998	Seal	.....	128/848
D451,193	S *	11/2001	McCormick	.....	D24/106
6,562,057	B2 *	5/2003	Santin	.....	606/199
6,978,781	B1 *	12/2005	Jordan	.....	128/206.11

\* cited by examiner

*Primary Examiner*—Ian Simmons  
*Assistant Examiner*—Carissa C Fitts

(57)               **CLAIM**

The ornamental design for a nasal dilator, as shown and described.

**DESCRIPTION**

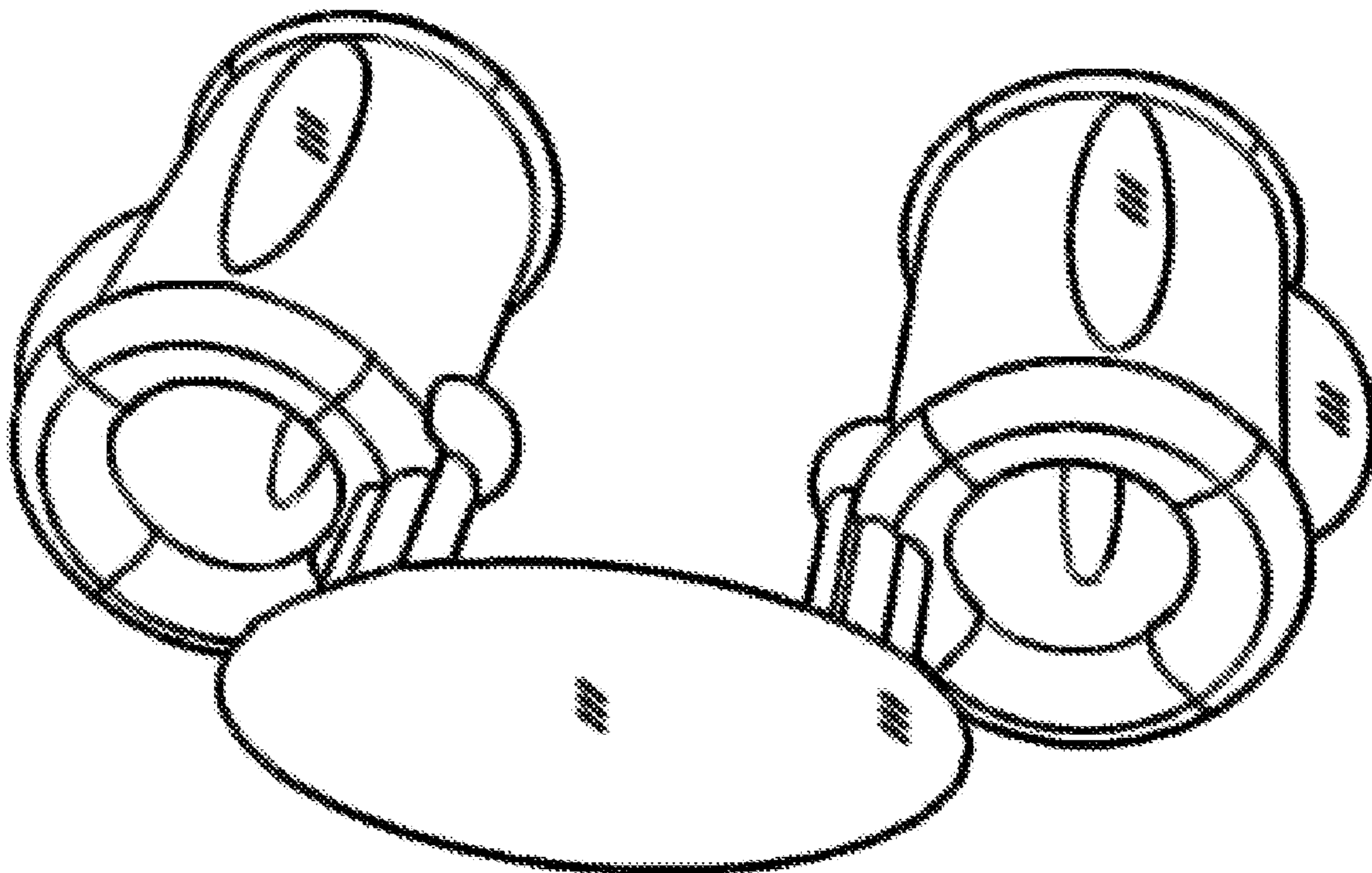
This relates to dilating the human nasal cavities to allow easier breathing by the wearer for extended periods of time. It is a solid cast device without any added parts. The device may be comfortably worn during most any activity including sleeping and contact sport activities.

This device is comprised of a solid cast unit from flexible skin-safe urethane or silicone. Two nasal dilators which have curved fins about the dilators and donut shaped dilator terminal ends. Each dilator has a septum pinching sphere where the grasping tab's struts intersect with each dilator.

FIG. 1 is a perspective view of the nasal dilator invention;  
FIG. 2 is a top view thereof;  
FIG. 3 is a front view thereof;  
FIG. 4 is a back view thereof;  
FIG. 5 is a bottom view thereof;  
FIG. 6 is a left view thereof; and,  
FIG. 7 is a right view thereof.

The device 10 is to be cast or molded as a solid unit from flexible skin-safe urethane or silicone.

**1 Claim, 6 Drawing Sheets**



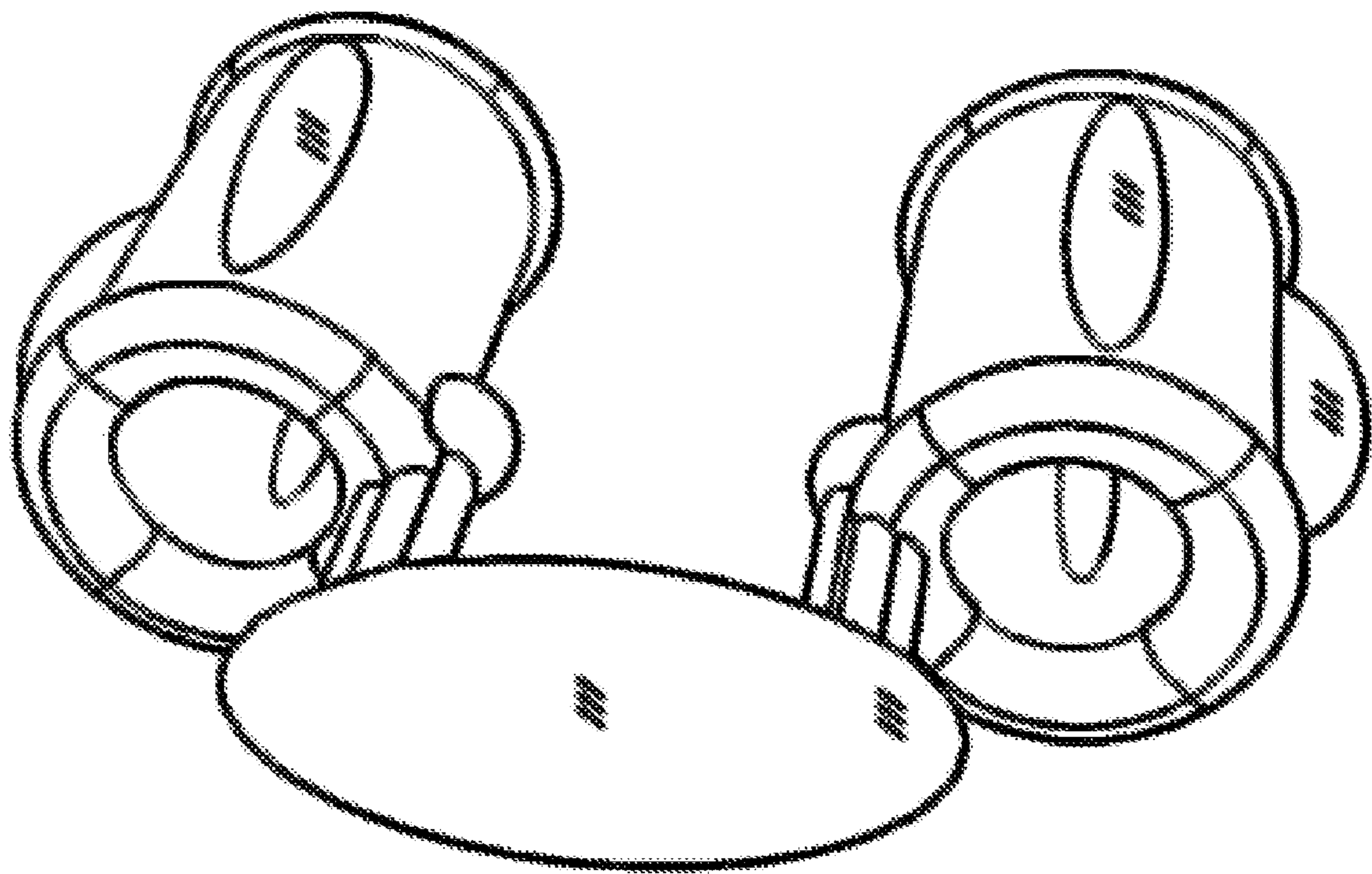


FIG. 1

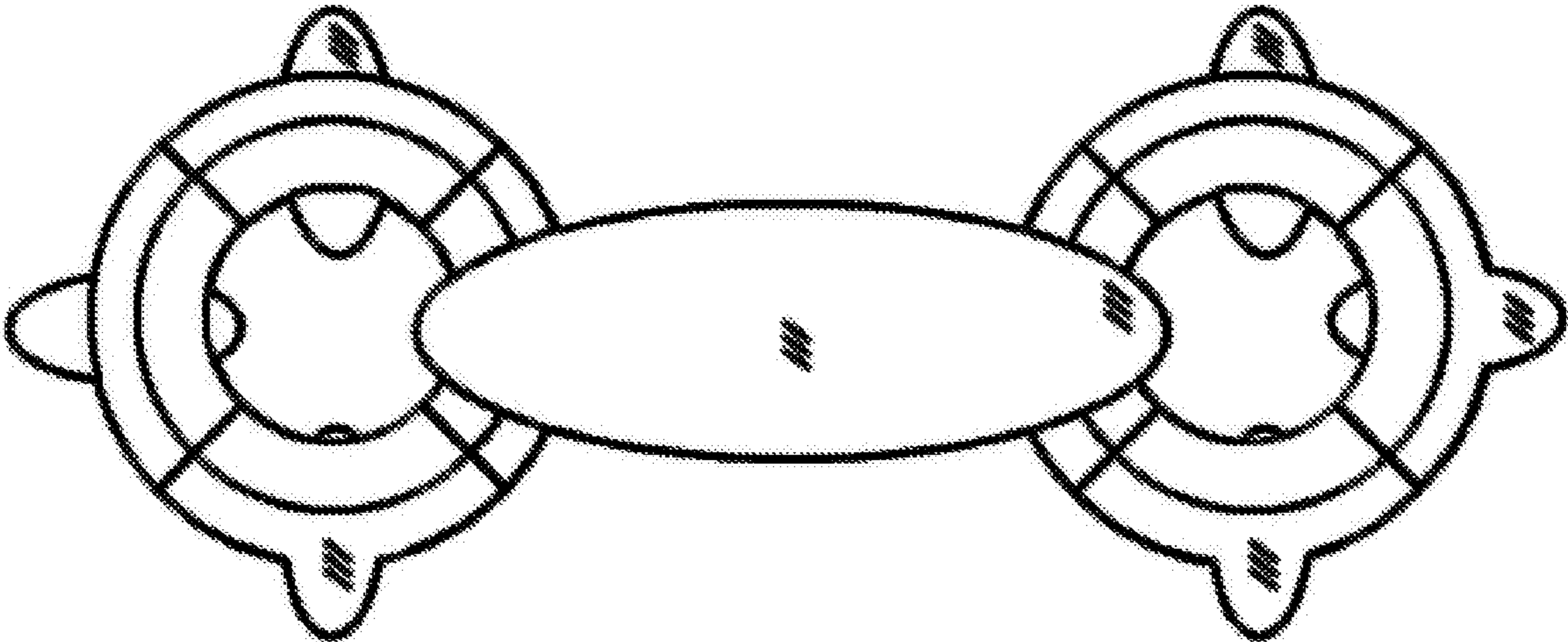


FIG. 2

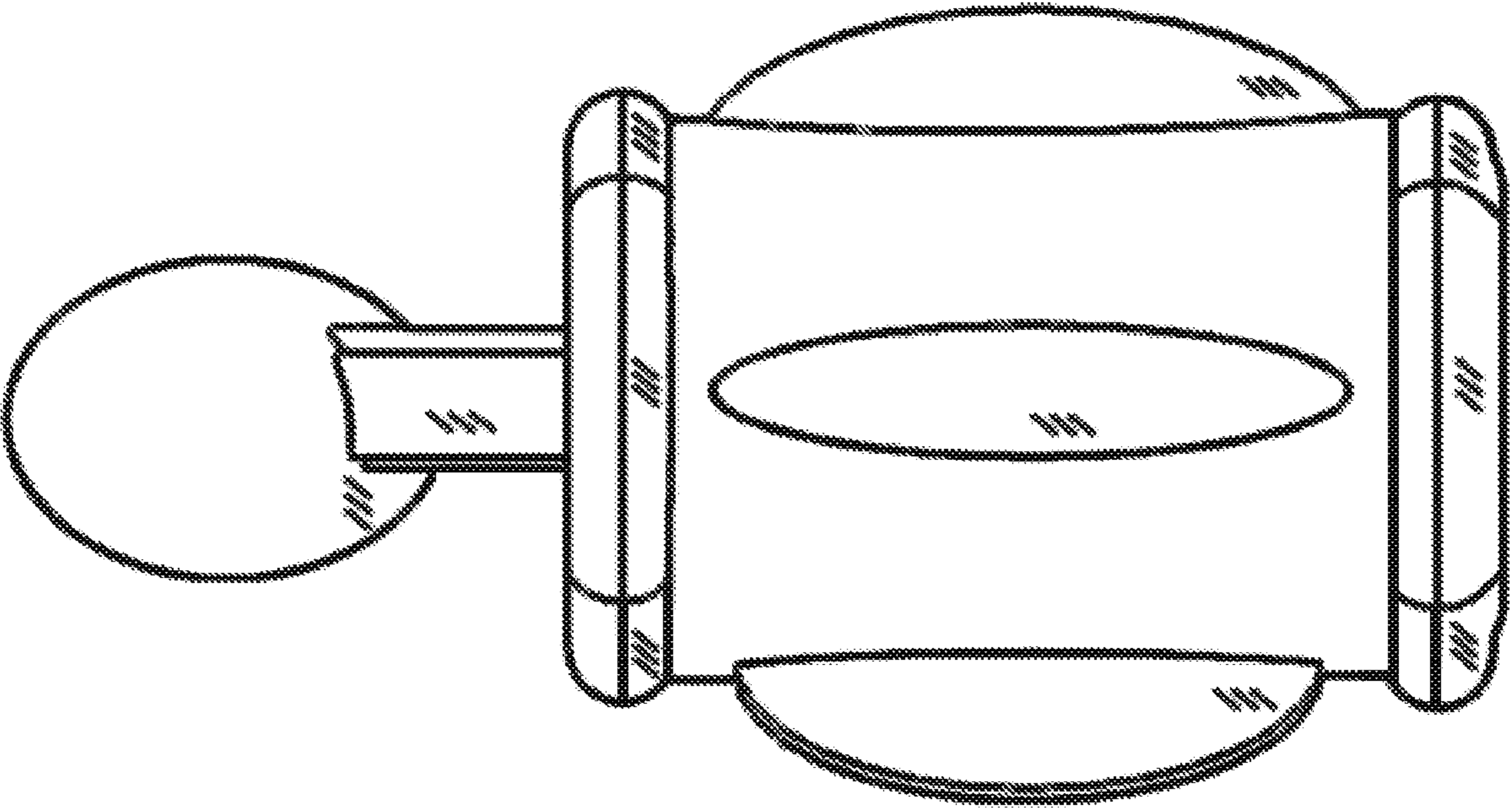


FIG. 3

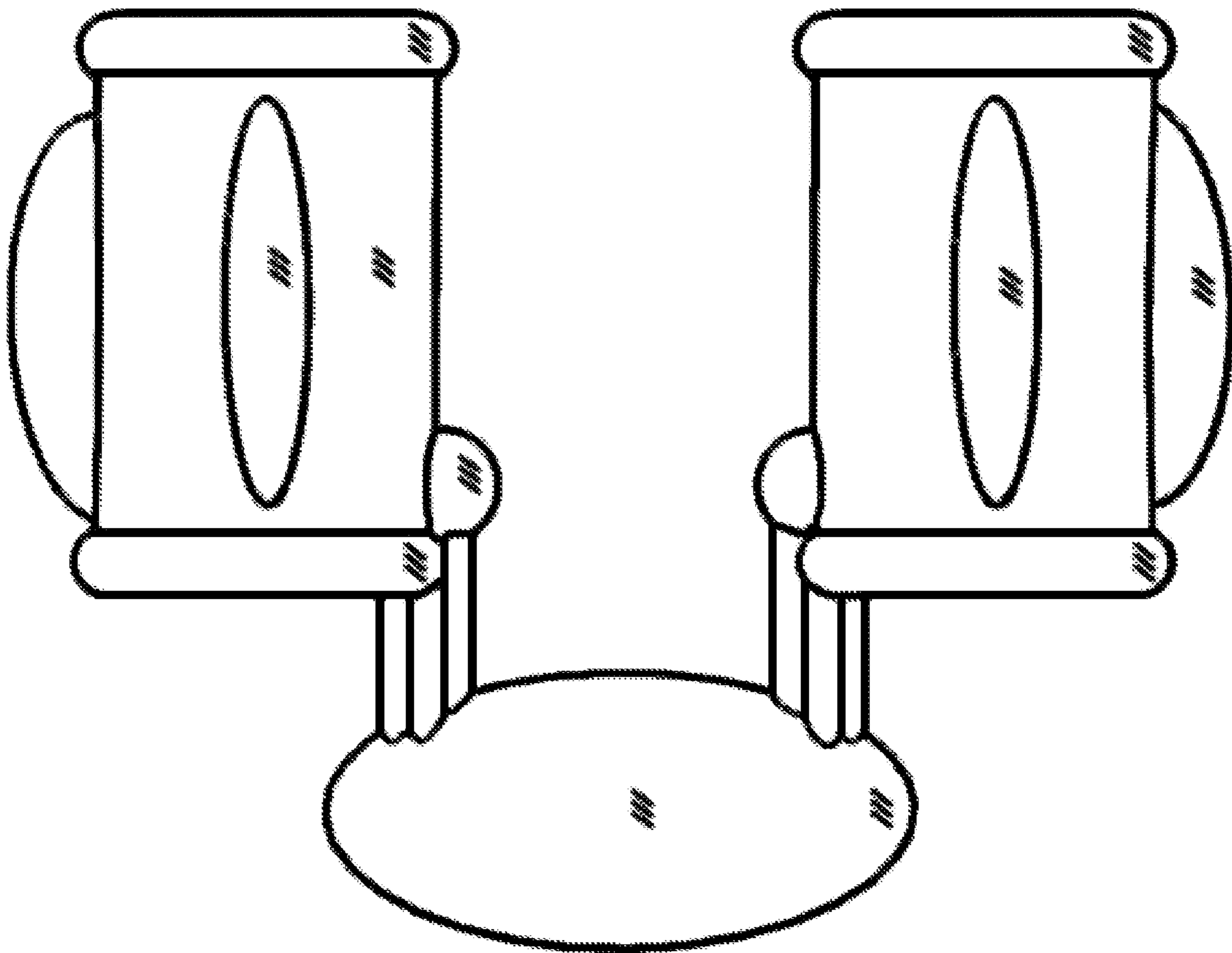
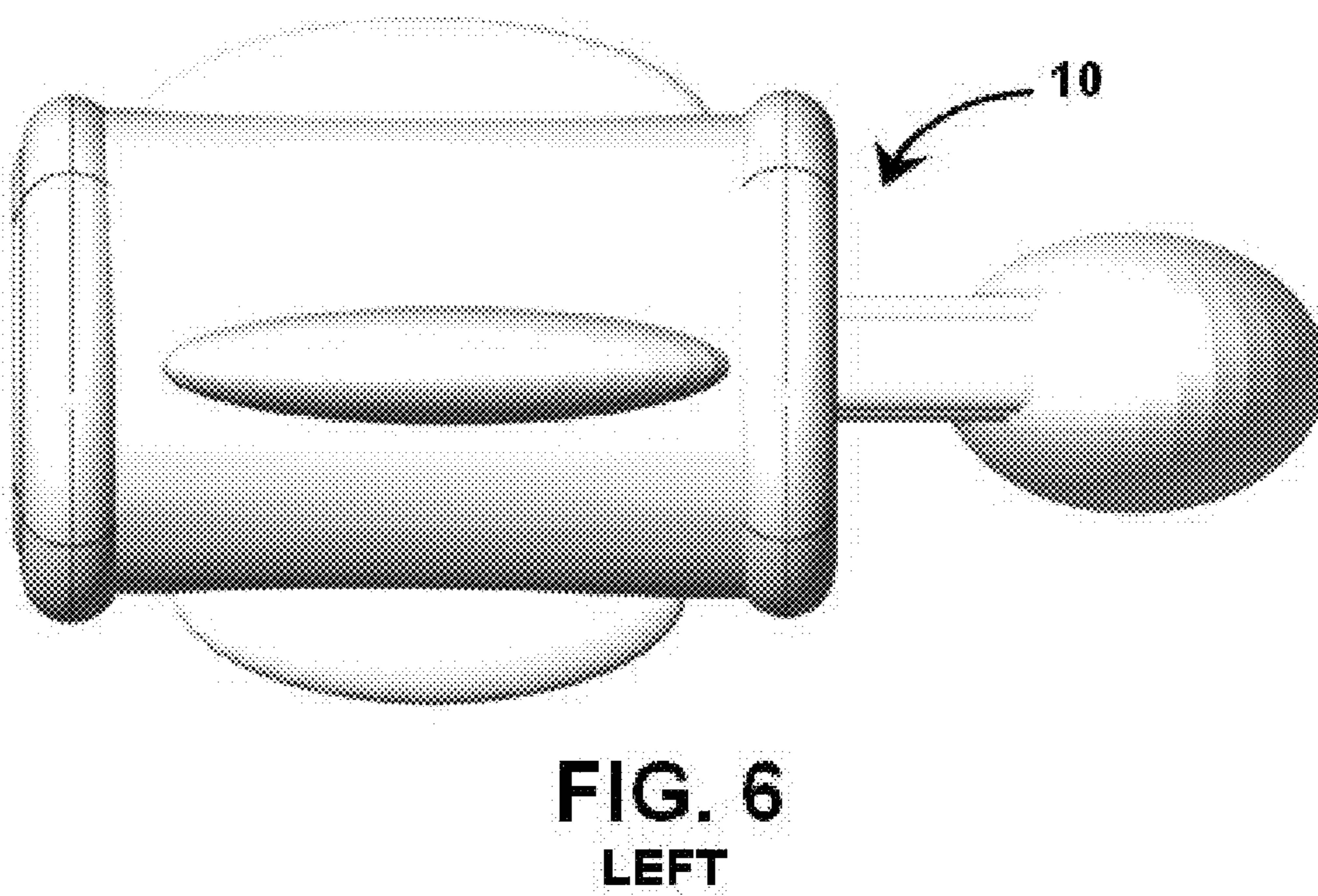
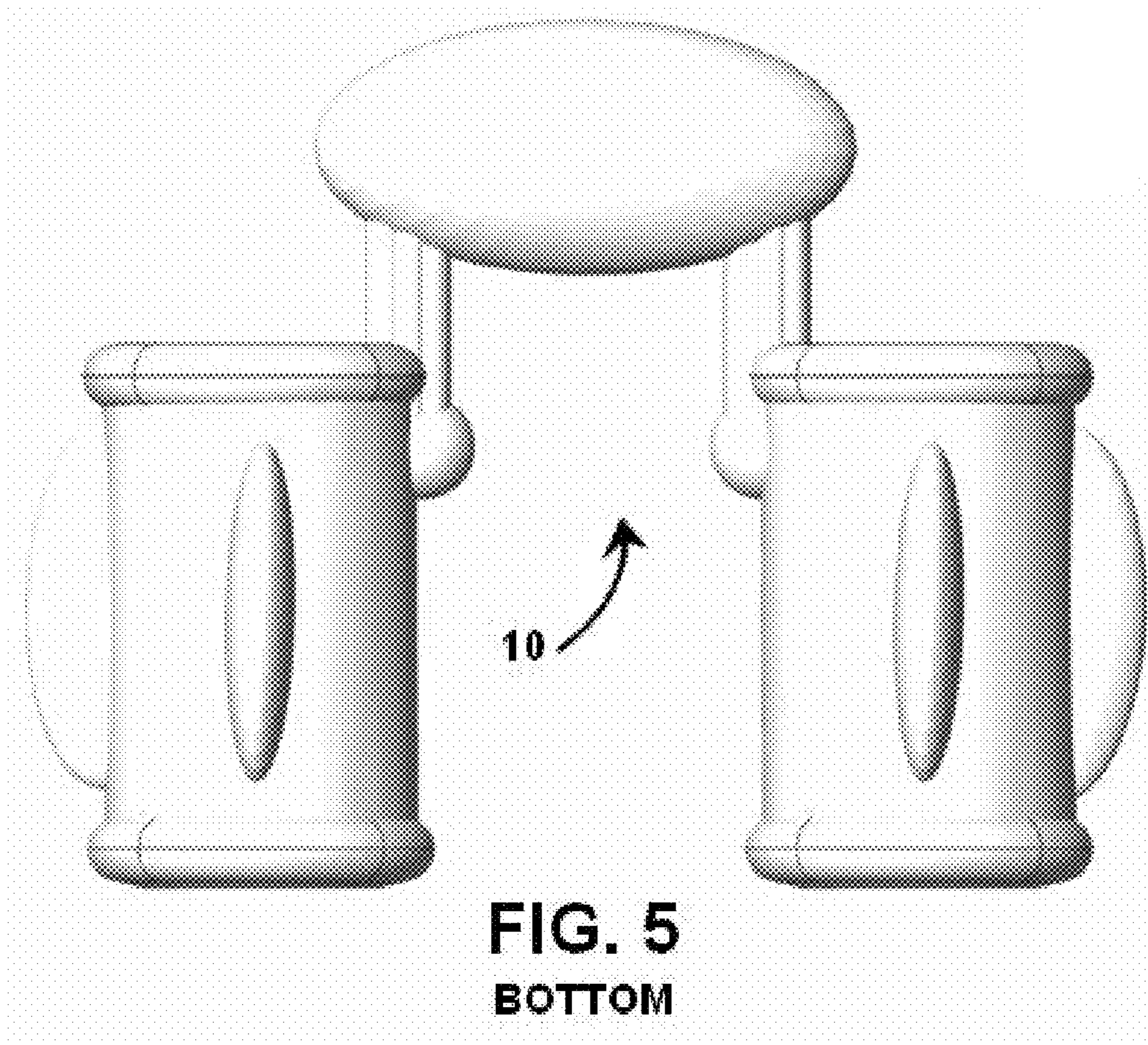
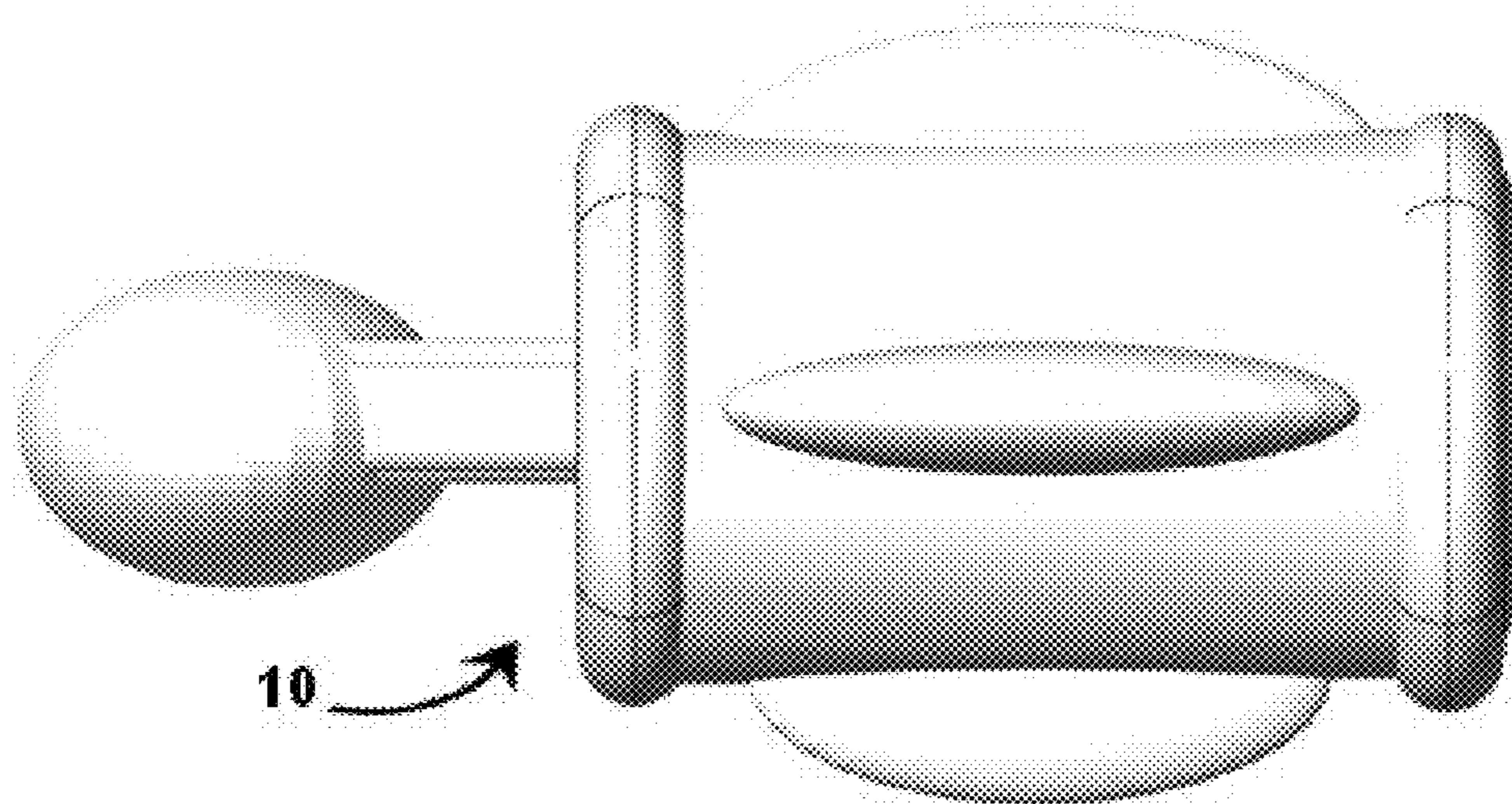


FIG. 4





**FIG. 7**  
**RIGHT**