



US00D576725S

(12) **United States Design Patent**
Shumer et al.

(10) **Patent No.:** **US D576,725 S**
(45) **Date of Patent:** **** Sep. 9, 2008**

(54) **MEDICAL DEVICE DELIVERY HANDLE**

(75) Inventors: **Dan Shumer**, San Jose, CA (US); **Nie Tang**, San Jose, CA (US); **Sanjay Shrivastava**, Mountain View, CA (US); **Pete Lombrozo**, Scotts Valley, CA (US); **Josh Druker**, San Francisco, CA (US)

(73) Assignee: **Abbot Laboratories, Inc.**, Abbott Park, IL (US)

(**) Term: **14 Years**

(21) Appl. No.: **29/281,312**

(22) Filed: **Jun. 20, 2007**

(51) **LOC (8) Cl.** **24-02**

(52) **U.S. Cl.** **D24/133**

(58) **Field of Classification Search** D24/133,
D24/145, 112, 130, 147; 600/131, 156; 604/118,
604/119; 606/108

See application file for complete search history.

(56) **References Cited**

U.S. PATENT DOCUMENTS

4,624,243 A	11/1986	Lowery et al.	
4,665,918 A	5/1987	Garza et al.	
5,346,498 A	9/1994	Greelis et al.	
5,391,172 A	2/1995	Williams et al.	
5,501,654 A	3/1996	Failla et al.	
5,507,768 A	4/1996	Lau et al.	
5,571,168 A	11/1996	Toro	
5,591,172 A	1/1997	Bachmann et al.	
5,593,412 A	1/1997	Martinez et al.	
5,683,451 A	11/1997	Lenker et al.	
D387,863 S *	12/1997	Herman et al.	D24/133
5,707,376 A	1/1998	Kavteladze et al.	
5,733,267 A	3/1998	Del Toro	

5,833,694 A	11/1998	Poncet	
5,868,755 A	2/1999	Kanner et al.	
5,906,619 A	5/1999	Olson et al.	
5,920,975 A	7/1999	Morales	
5,944,727 A	8/1999	Ahari et al.	
5,968,052 A	10/1999	Sullivan, III et al.	
6,146,415 A	11/2000	Fitz	
6,165,184 A	12/2000	Verdura et al.	
6,183,443 B1	2/2001	Kratoska et al.	
6,190,360 B1	2/2001	Iancea et al.	
D439,664 S *	3/2001	Cuschieri et al.	D24/133
6,203,550 B1	3/2001	Olson	

(Continued)

Primary Examiner—Ian Simmons
Assistant Examiner—Christopher Lee
(74) *Attorney, Agent, or Firm*—Fulwider Patton LLP

(57) **CLAIM**

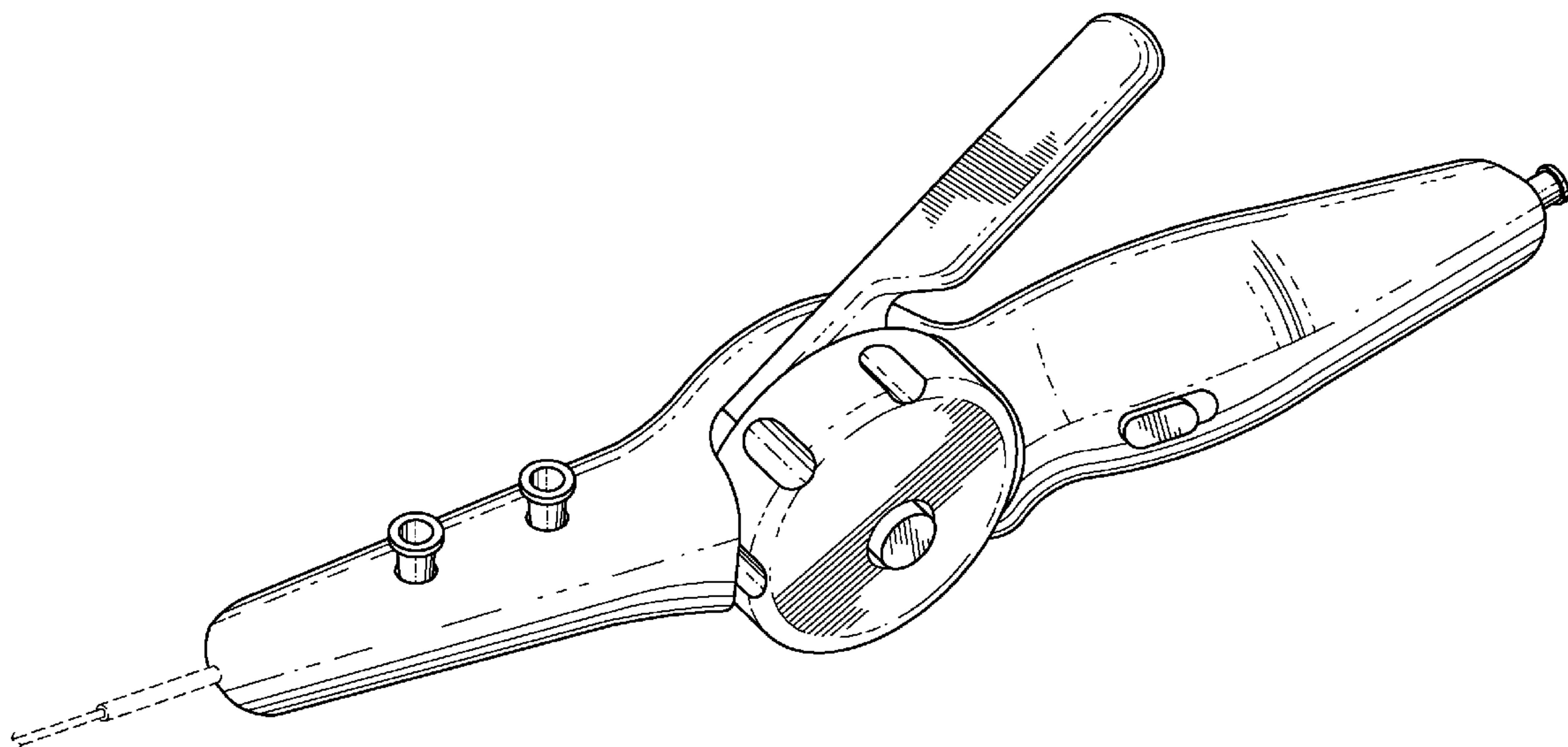
The ornamental design for a medical device delivery handle, as shown and described.

DESCRIPTION

FIG. 1 is a perspective view of a medical device delivery handle showing our new design;
FIG. 2 is a side view thereof;
FIG. 3 is another side view thereof;
FIG. 4 is a top plan view thereof;
FIG. 5 is a bottom plan view thereof;
FIG. 6 is a front elevational view thereof; and,
FIG. 7 is a rear elevational view thereof.

The portions of the article in broken lines are shown for illustrative purposes only and form no part of the claimed design.

1 Claim, 5 Drawing Sheets



US D576,725 S

Page 2

U.S. PATENT DOCUMENTS					
6,238,402	B1	5/2001 Sullivan, III et al.	6,939,352	B2	9/2005 Buzzard et al.
6,254,611	B1	7/2001 Vrba	D518,175	S *	3/2006 Hardin et al. D24/133
6,391,050	B1	5/2002 Broome	7,122,050	B2	10/2006 Randall et al.
6,391,051	B2	5/2002 Sullivan, III et al.	D533,274	S *	12/2006 Visconti et al. D24/133
6,514,261	B1	2/2003 Randall et al.	D536,784	S *	2/2007 Bacher et al. D24/133
6,520,983	B1	2/2003 Colgan et al.	D553,242	S *	10/2007 Fedenia et al. D24/108
6,527,779	B1	3/2003 Rourke	2003/0144671	A1	7/2003 Brooks et al.
6,599,296	B1	7/2003 Gillick et al.	2004/0006380	A1	1/2004 Back et al.
6,602,280	B2	8/2003 Chobotov	2004/0117000	A1	6/2004 Ruetsch
6,669,716	B1	12/2003 Gilson et al.	2004/0148009	A1	7/2004 Buzzard et al.
6,755,854	B2	6/2004 Gillick et al.	2005/0060016	A1	3/2005 Wu et al.
6,866,669	B2	3/2005 Buzzard et al.	2005/0273151	A1	12/2005 Fulkerson et al.
D509,589	S *	9/2005 Wells D24/145	2006/0074477	A1	4/2006 Berthiaume et al.
			2007/0032860	A1	2/2007 Brooks et al.
					* cited by examiner

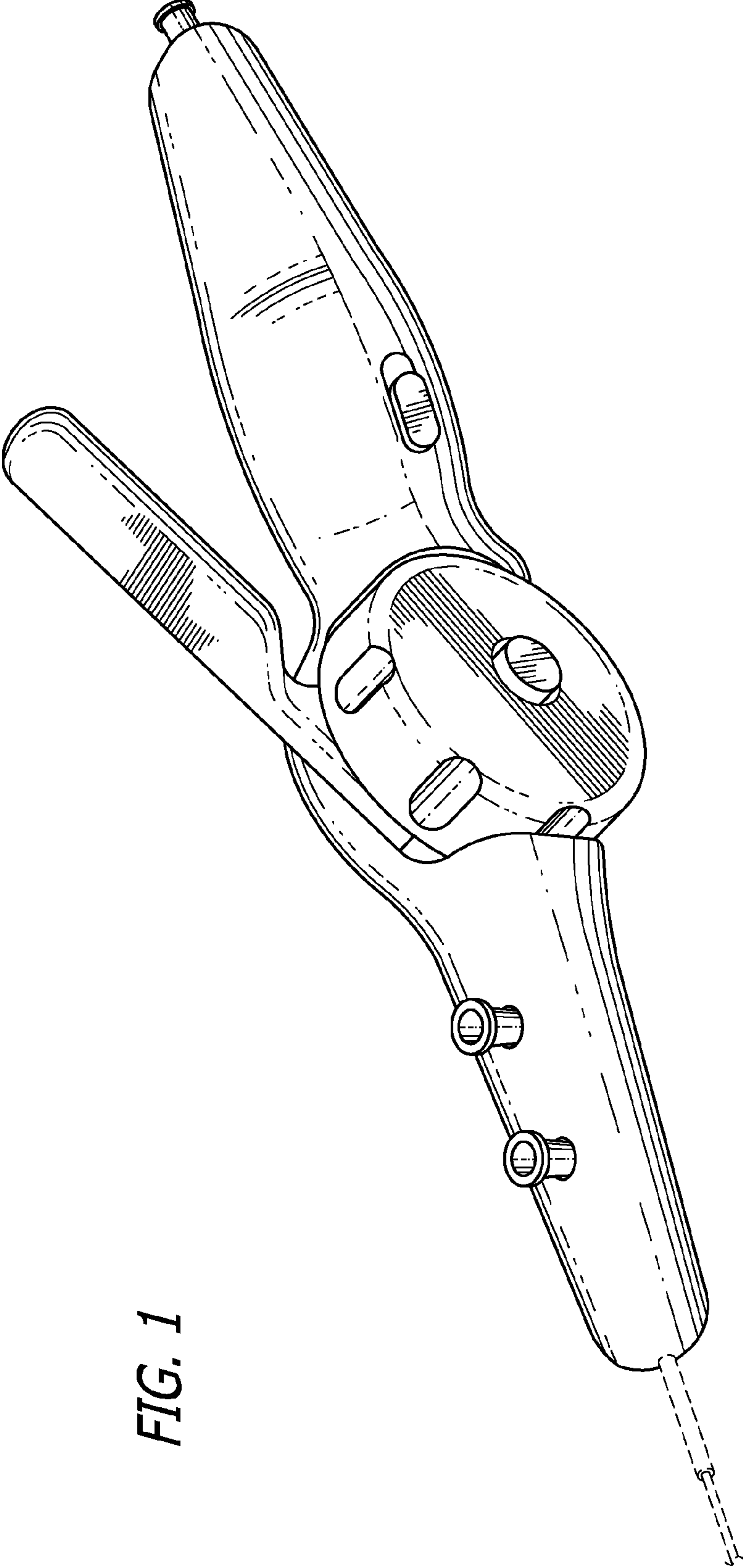


FIG. 1

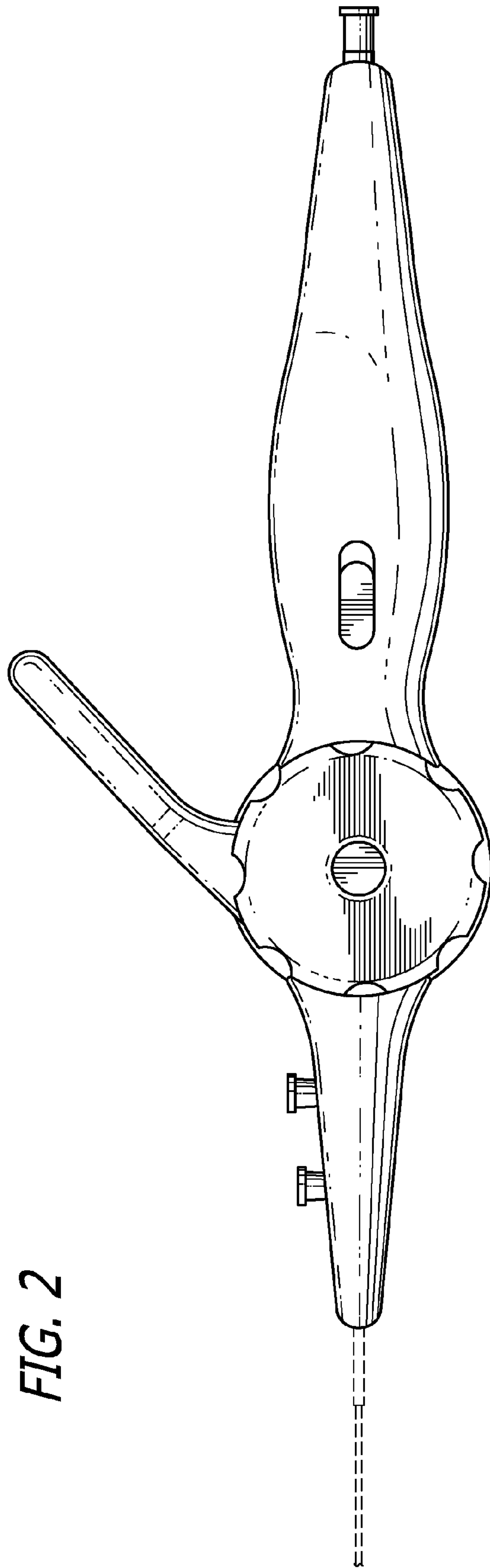


FIG. 2

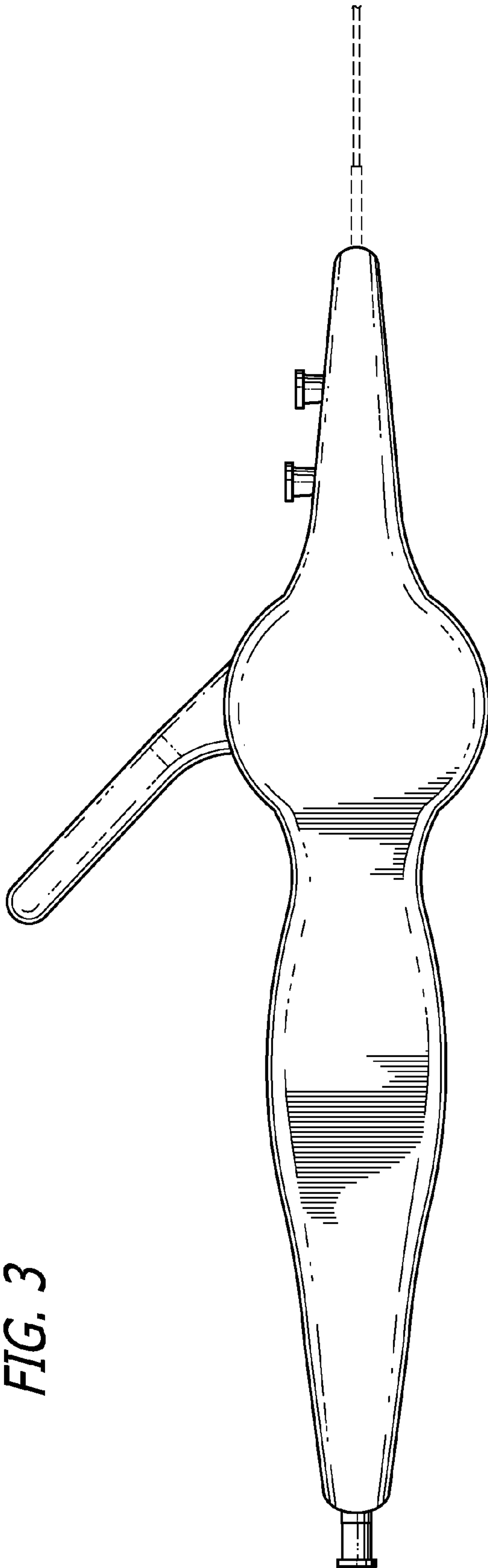


FIG. 3

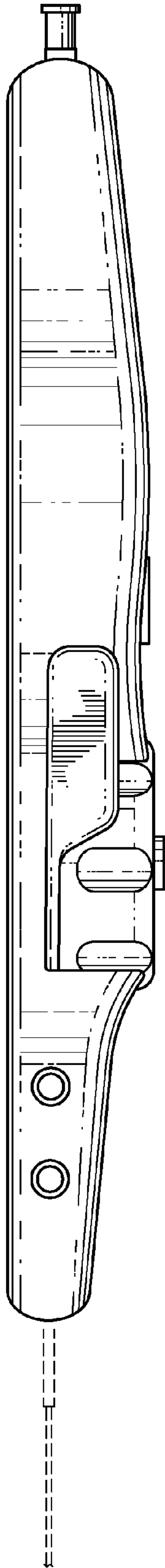


FIG. 4

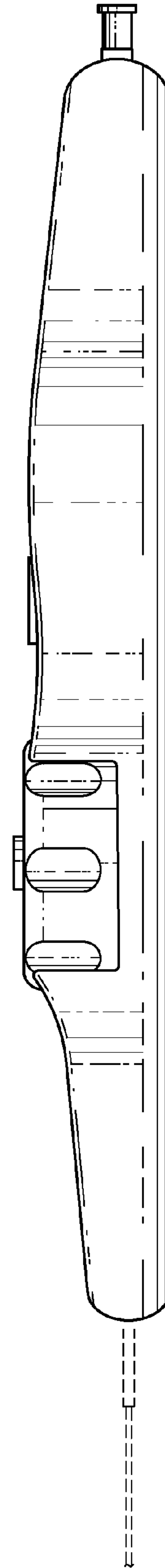


FIG. 5

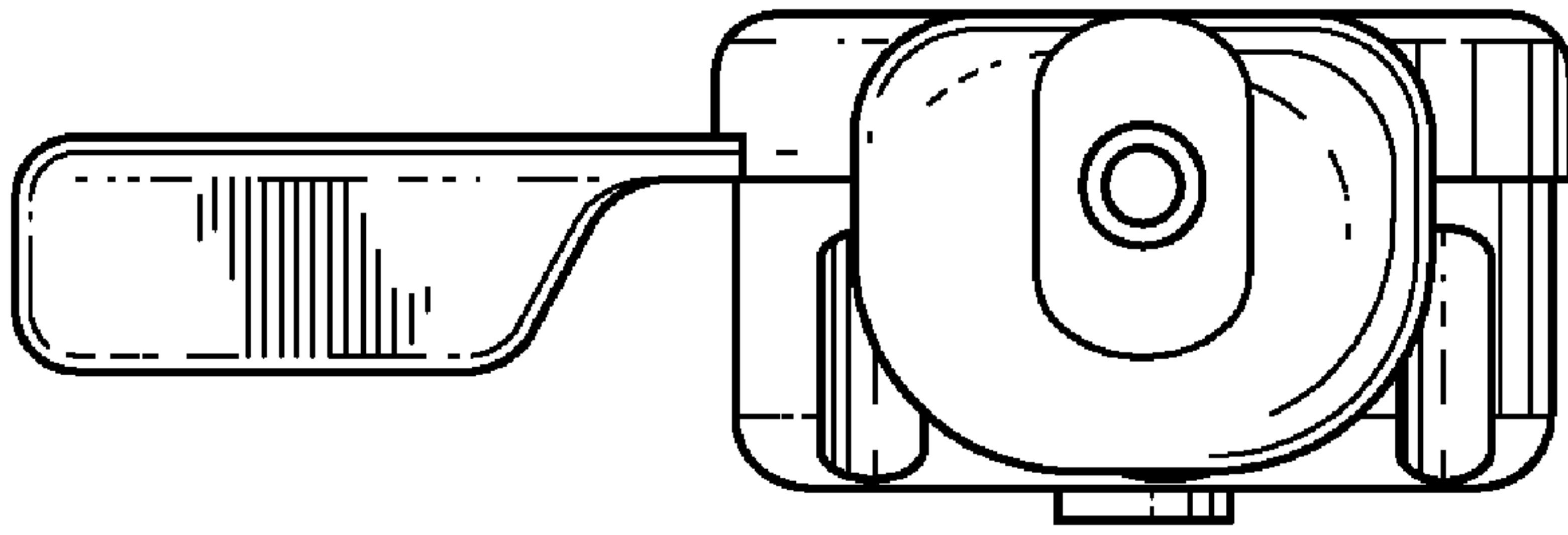


FIG. 7

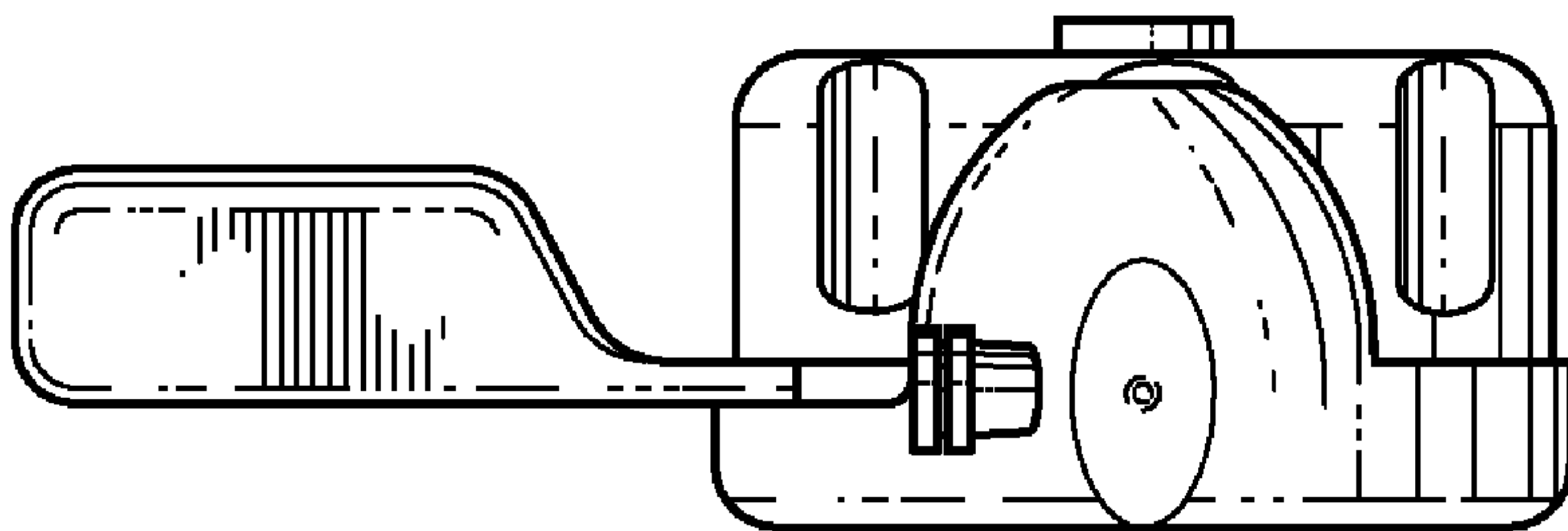


FIG. 6