



US00D576723S

(12) **United States Design Patent**  
**Achen**

(10) **Patent No.:** **US D576,723 S**

(45) **Date of Patent:** **\*\* Sep. 9, 2008**

(54) **FLOOD VENT**

(76) Inventor: **John J. Achen**, 12432 Del Rico, Yuma,  
AZ (US) 85367

(\*\*) Term: **14 Years**

(21) Appl. No.: **29/302,965**

(22) Filed: **Jan. 29, 2008**

(51) **LOC (8) Cl.** ..... **23-04**

(52) **U.S. Cl.** ..... **D23/393**

(58) **Field of Classification Search** ..... D23/393,  
D23/389, 388, 385, 370, 351, 354, 386; 454/309,  
454/275-277, 284, 287-291; D25/58; 62/239  
See application file for complete search history.

(56) **References Cited**

**U.S. PATENT DOCUMENTS**

D111,597 S *	10/1938	Fader	.....	D23/370
3,203,079 A *	8/1965	Smith et al.	.....	454/309
3,232,205 A *	2/1966	Bumstead	.....	454/275
3,245,224 A *	4/1966	Wilkinson	.....	454/309
D222,895 S *	1/1972	Zampetti	.....	D25/58
3,771,320 A *	11/1973	Kenneryd et al.	.....	62/239
4,274,330 A *	6/1981	Witten et al.	.....	454/276
4,711,160 A *	12/1987	Witten et al.	.....	454/284
5,372,543 A *	12/1994	Steele	.....	454/276
D377,390 S *	1/1997	Ketcham	.....	D23/370

5,720,660 A *	2/1998	Benedetto et al.	.....	454/284
6,575,826 B2 *	6/2003	Myint	.....	454/276
D520,626 S *	5/2006	Angers et al.	.....	D23/388

\* cited by examiner

*Primary Examiner*—Louis S Zarfaz

*Assistant Examiner*—David G Muller

(74) *Attorney, Agent, or Firm*—Cahill, von Hellens & Glazer,  
PLC

(57) **CLAIM**

An ornamental design for a flood vent, as shown and described.

**DESCRIPTION**

FIG. 1 is front, top, and left side isometric views of a flood vent showing my new design;

FIG. 2 is a rear elevational view thereof showing a rodent screen partly cut away to illustrate the rear of the louvers shown in FIG. 1;

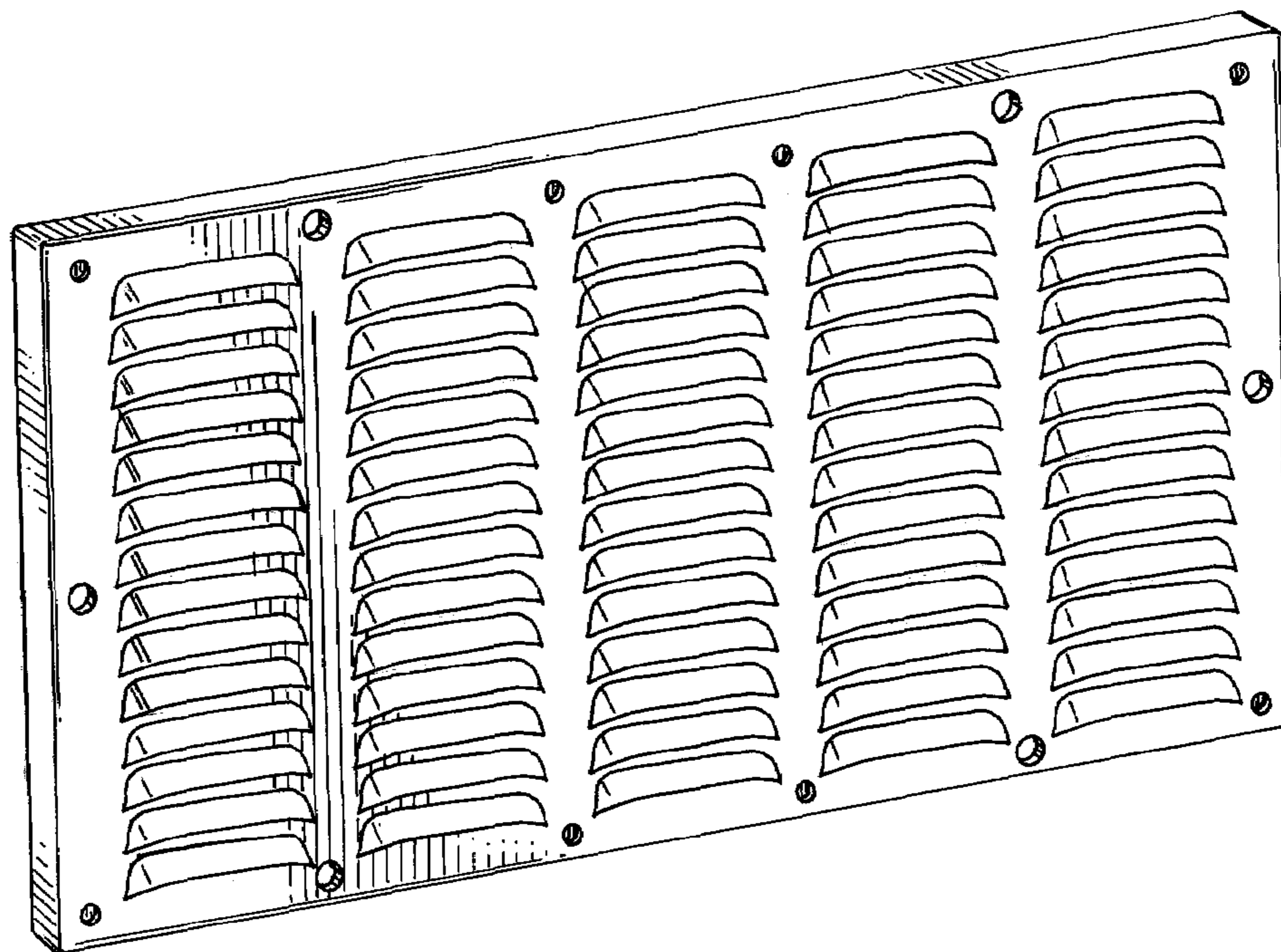
FIG. 3 is a bottom view thereof;

FIG. 4 is a left side elevational view, the right side elevational view being a mirror image;

FIG. 5 is top view thereof; and,

FIG. 6 is a cut away view showing in part the rodent screen shown in FIG. 2.

**1 Claim, 2 Drawing Sheets**



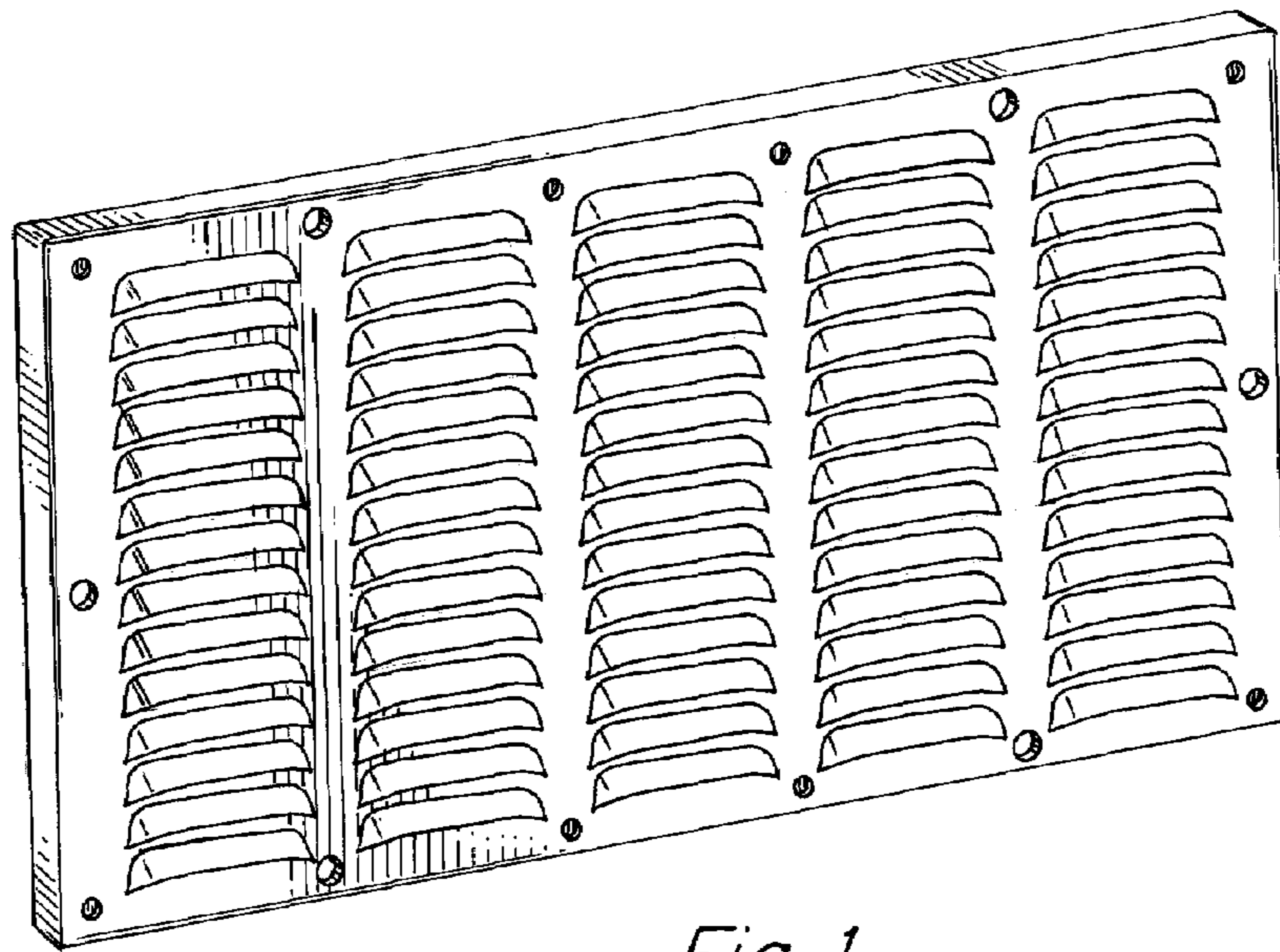


Fig. 1

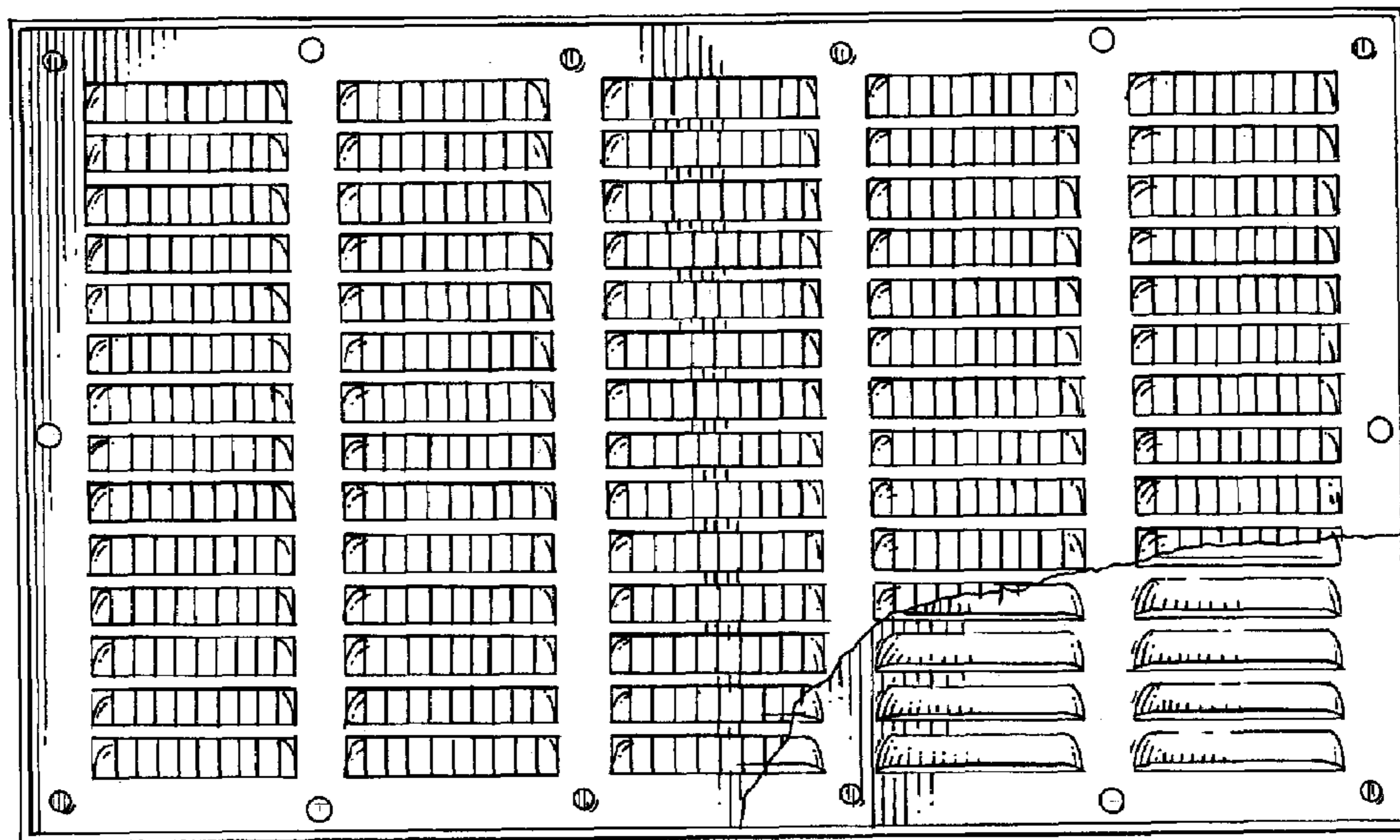


Fig. 2

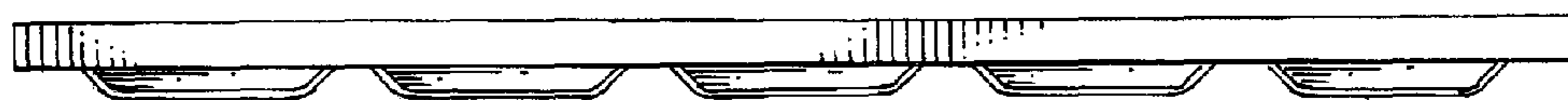
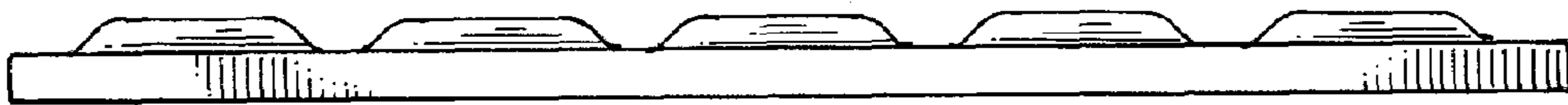


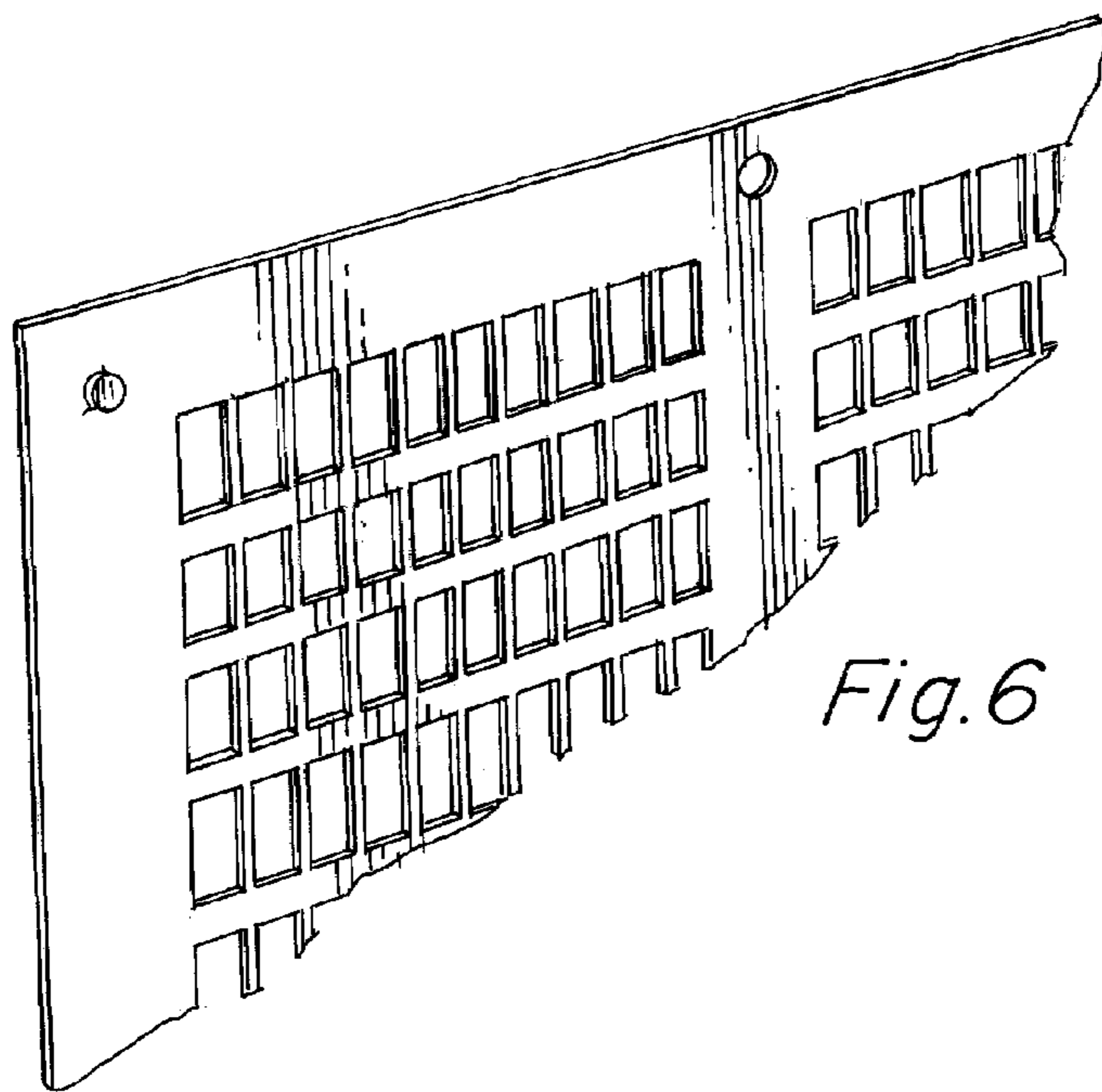
Fig. 3



*Fig. 4*



*Fig. 5*



*Fig. 6*