



US00D576720S

(12) **United States Design Patent**
Bucher et al.

(10) **Patent No.:** **US D576,720 S**
(45) **Date of Patent:** **** Sep. 9, 2008**

(54) **COMBINED CEILING FAN AND LIGHT SHADE**

(75) Inventors: **John C. Bucher**, Hillsboro Beach, FL (US); **Dale Tiffany**, La Mirada, FL (US); **Tien S. Lowe**, Pembroke Pines, FL (US)

(73) Assignee: **King of Fans, Inc.**, Fort Lauderdale, FL (US)

(**) Term: **14 Years**

(21) Appl. No.: **29/264,833**

(22) Filed: **Aug. 18, 2006**

Related U.S. Application Data

(62) Division of application No. 29/234,373, filed on Jul. 18, 2005, now Pat. No. Des. 560,299.

(51) **LOC (8) Cl.** **23-04**

(52) **U.S. Cl.** **D23/377; D26/59**

(58) **Field of Classification Search** D23/377,
D23/379, 385, 411; 416/5; D26/59, 51,
D26/80-85, 726

See application file for complete search history.

(56) **References Cited**

U.S. PATENT DOCUMENTS

D360,940 S	8/1995	Collmar	D23/377
D364,224 S	11/1995	Wang	D23/377
D371,838 S	7/1996	Davis, Jr. et al.	D23/411
D378,404 S	3/1997	Jaspers-Fayer	D23/377
D383,528 S	9/1997	Collmar	D23/377
D389,943 S *	1/1998	Miranda	D26/88
D392,033 S	3/1998	Jaspers-Fayer	D23/377
D402,026 S	12/1998	Chuang et al.	D23/377
D408,518 S	4/1999	Liu	D23/377
D412,571 S	8/1999	Lee	D23/377
D414,856 S	10/1999	Zuege	D23/377
D421,799 S	3/2000	Zuege	D23/411

D422,072 S	3/2000	Blateri	D23/377
D484,233 S	12/2003	Bucher et al.	D23/377
D485,346 S	1/2004	Bucher et al.	D23/377
D485,347 S	1/2004	Bucher et al.	D23/377
D560,299 S *	1/2008	Bucher et al.	D26/59

OTHER PUBLICATIONS

52 In. Dale Tiffany Moresby, [online] The Home Depot—Lighting and fans, Internet Catalog #181201, Model # 08264 [Retrieved on Jul. 15, 2005] 1 page, Retrieved from: http://www.homedepot.com/pre180/HDUS/EN_US/shop_cart/pg_print_print_product.jsp?CNTT.

* cited by examiner

Primary Examiner—Lisa P Lichtenstein

(74) *Attorney, Agent, or Firm*—Brian S. Steinberger; Law Office of Brian Steinberger, P.A.

(57) **CLAIM**

The ornamental design for a combined ceiling fan and light shade, as shown and described.

DESCRIPTION

FIG. 1 is a lower front side perspective view of the combined ceiling fan and light shade.

FIG. 2 is an upper front side perspective view of the of FIG. 1.

FIG. 3 is front side view of the of FIG. 1.

FIG. 4 is a left side view of the of FIG. 1.

FIG. 5 is a rear side view of the of FIG. 1.

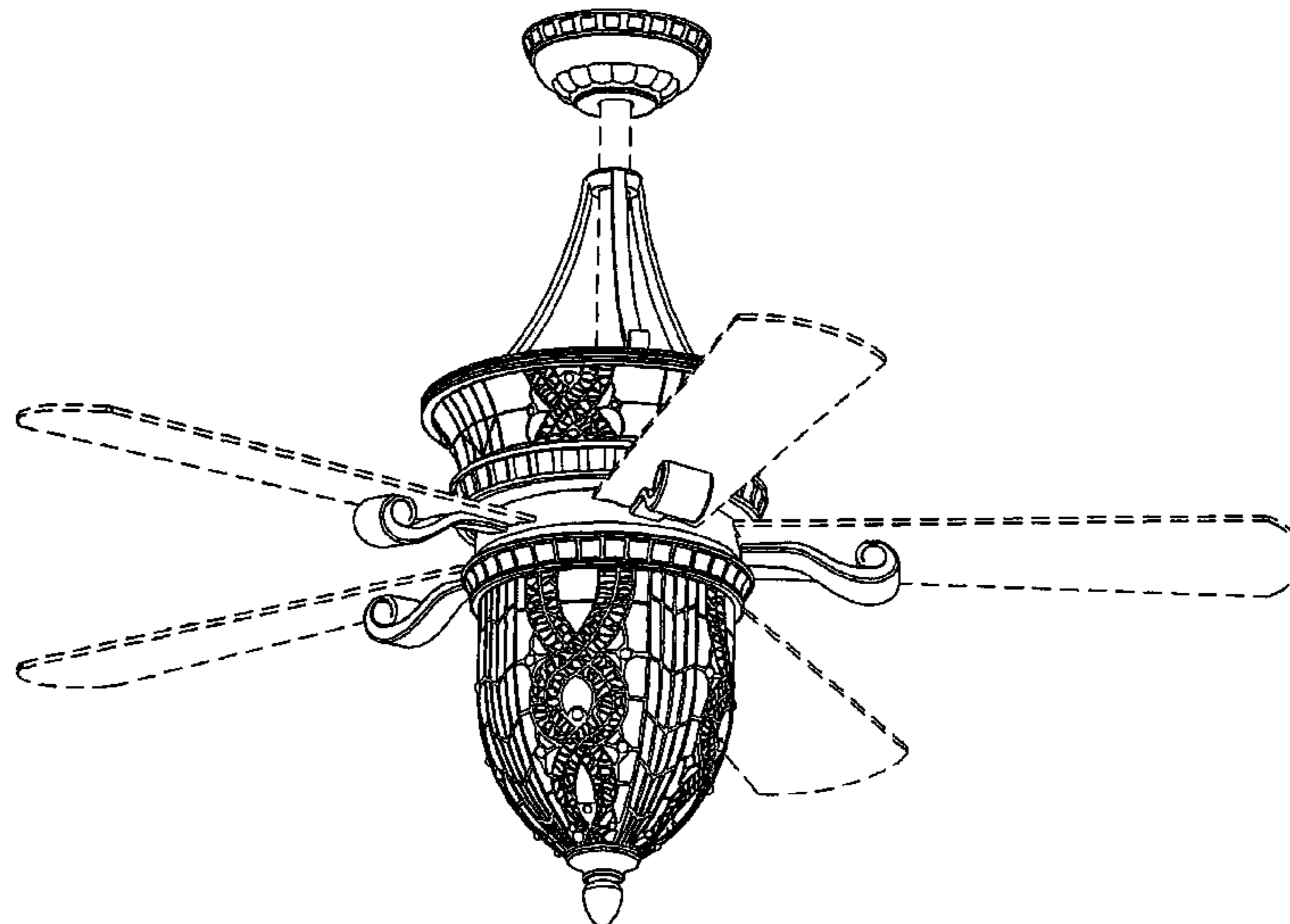
FIG. 6 is a right side view of the of FIG. 1.

FIG. 7 is a bottom view of the of FIG. 1; and,

FIG. 8 is a top view of the of FIG. 1.

The broken line showing of a support rod, fan blades and light bulbs is included for the purpose of illustrating environmental structure and forms no part of the claimed design.

1 Claim, 8 Drawing Sheets



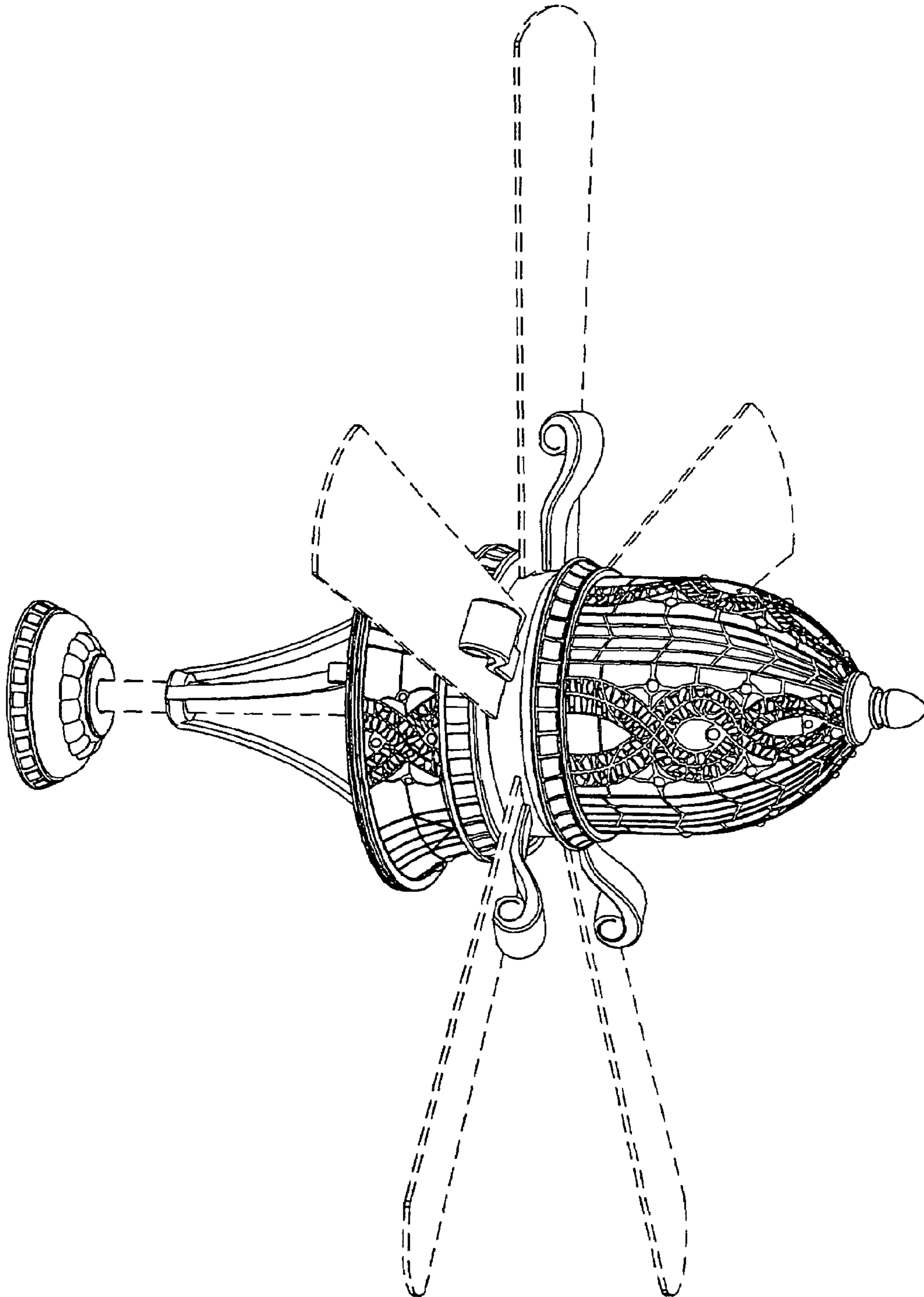


FIG. 1

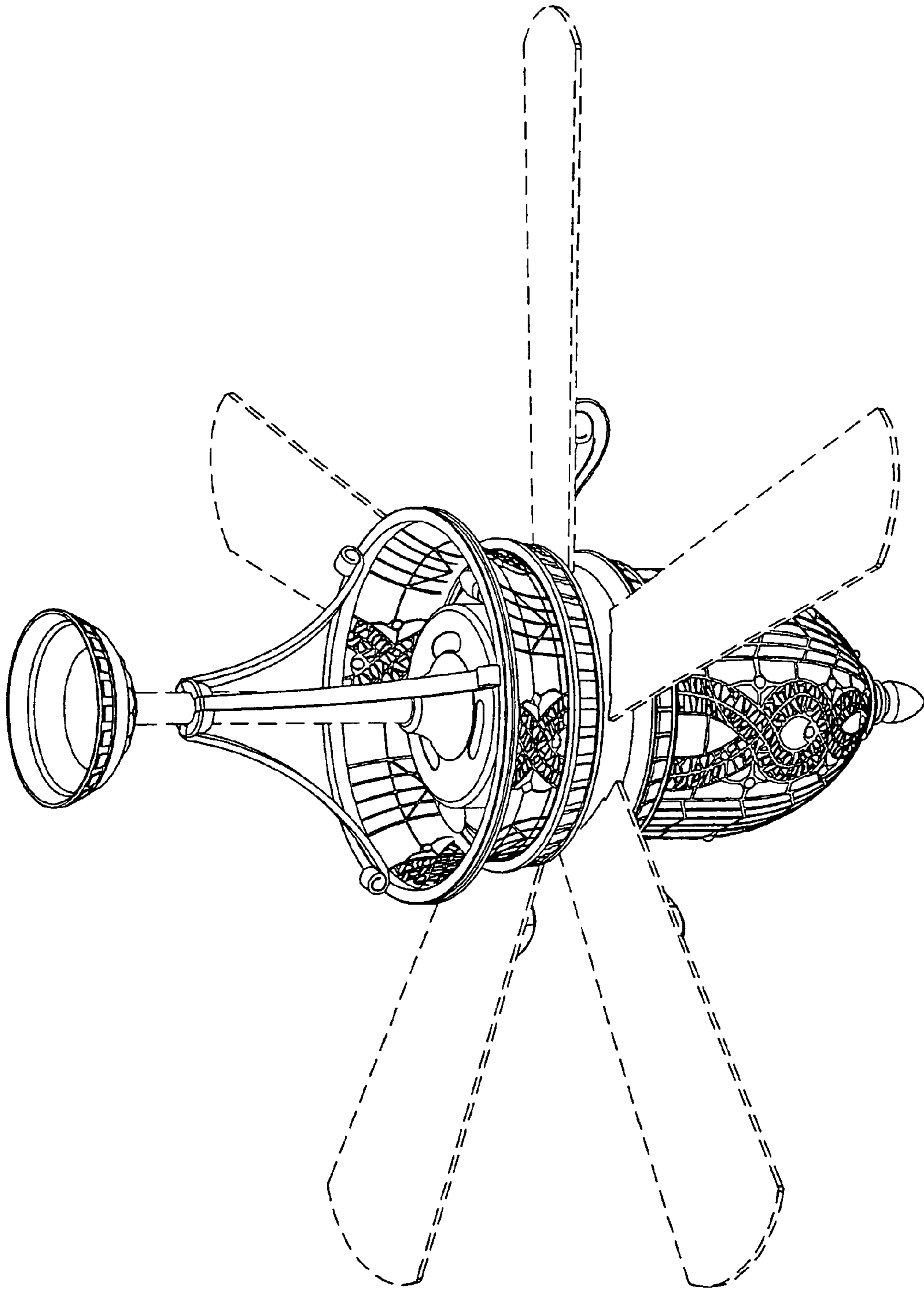


FIG. 2

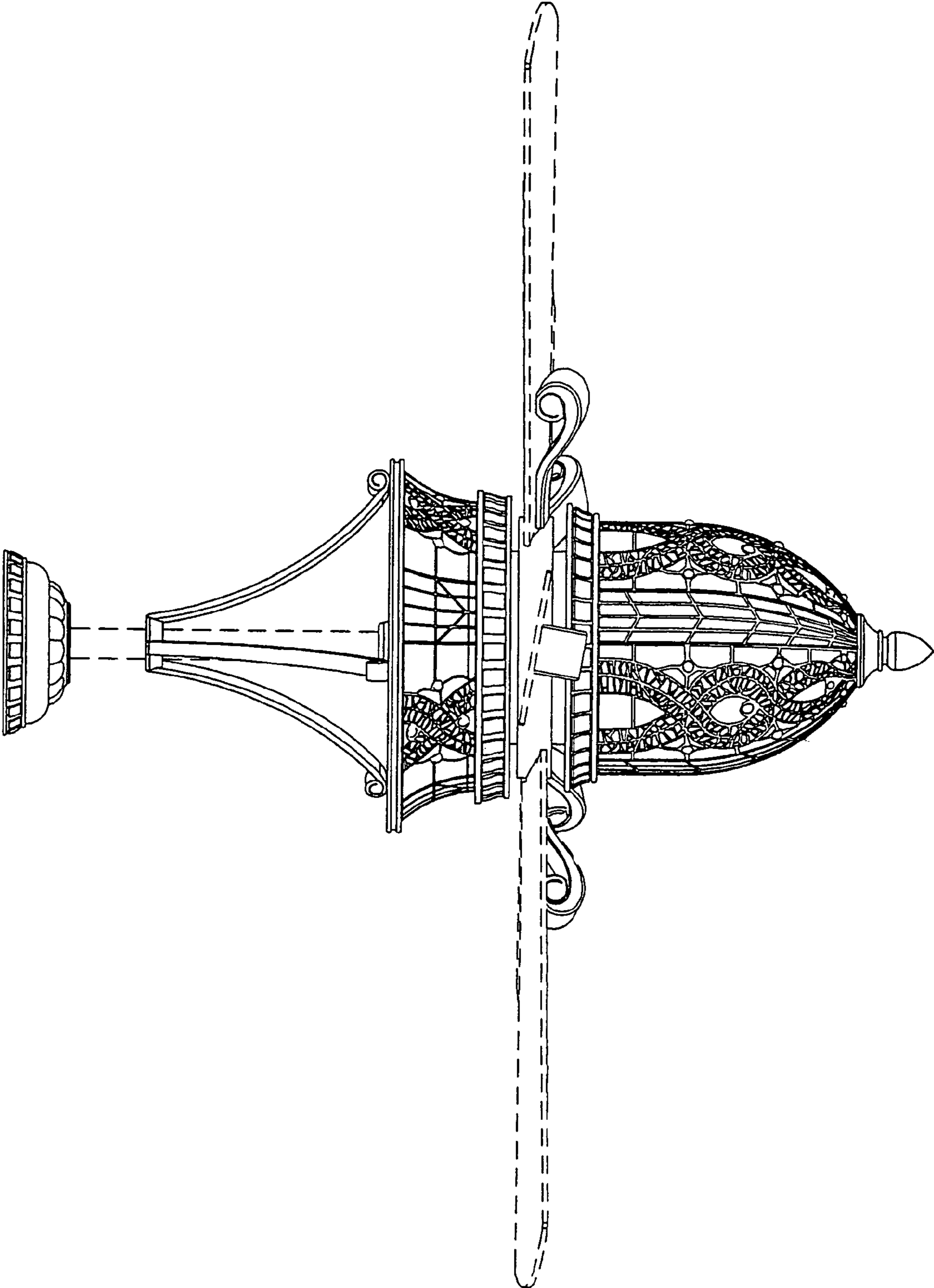


FIG. 3

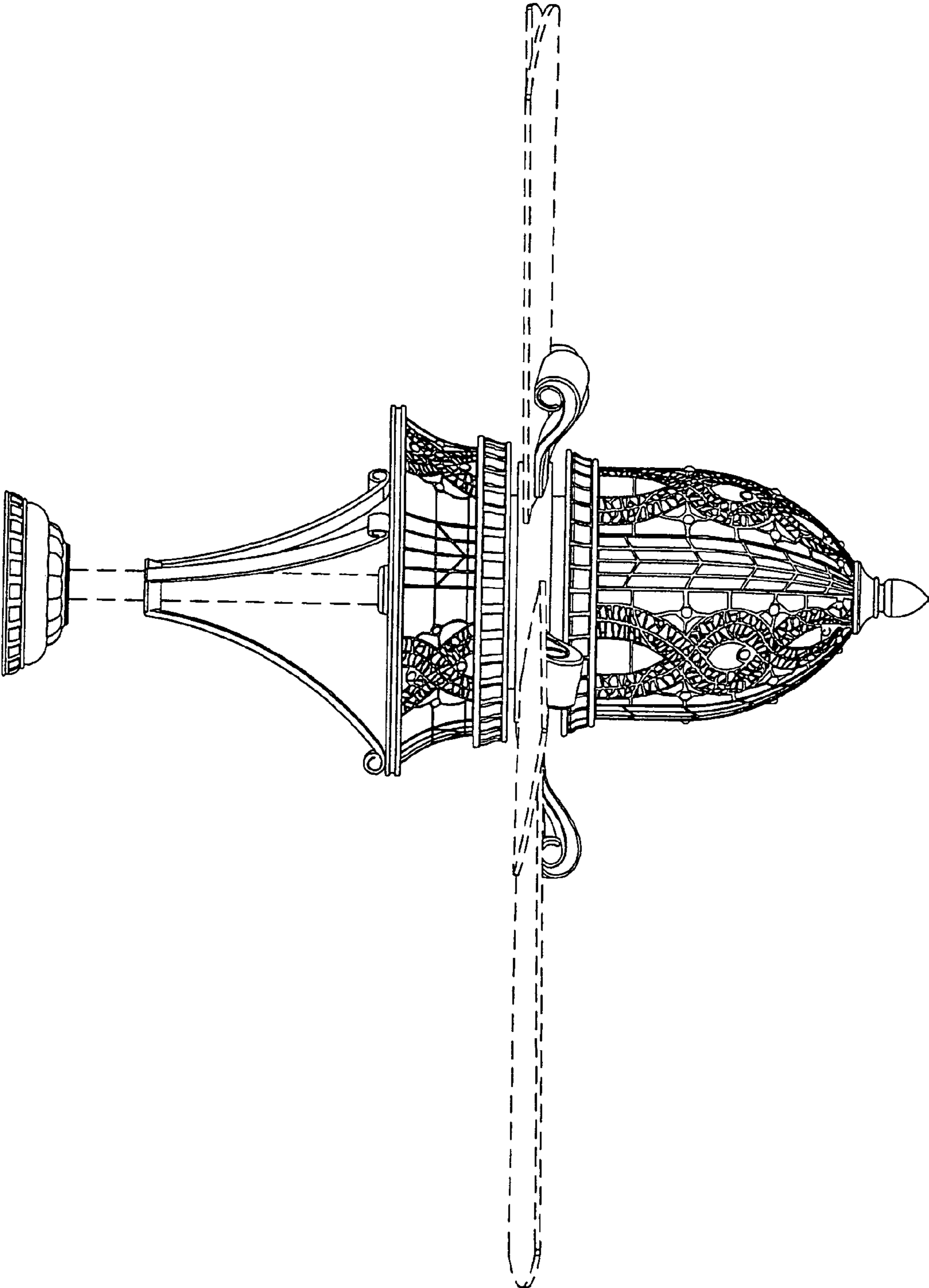


FIG. 4

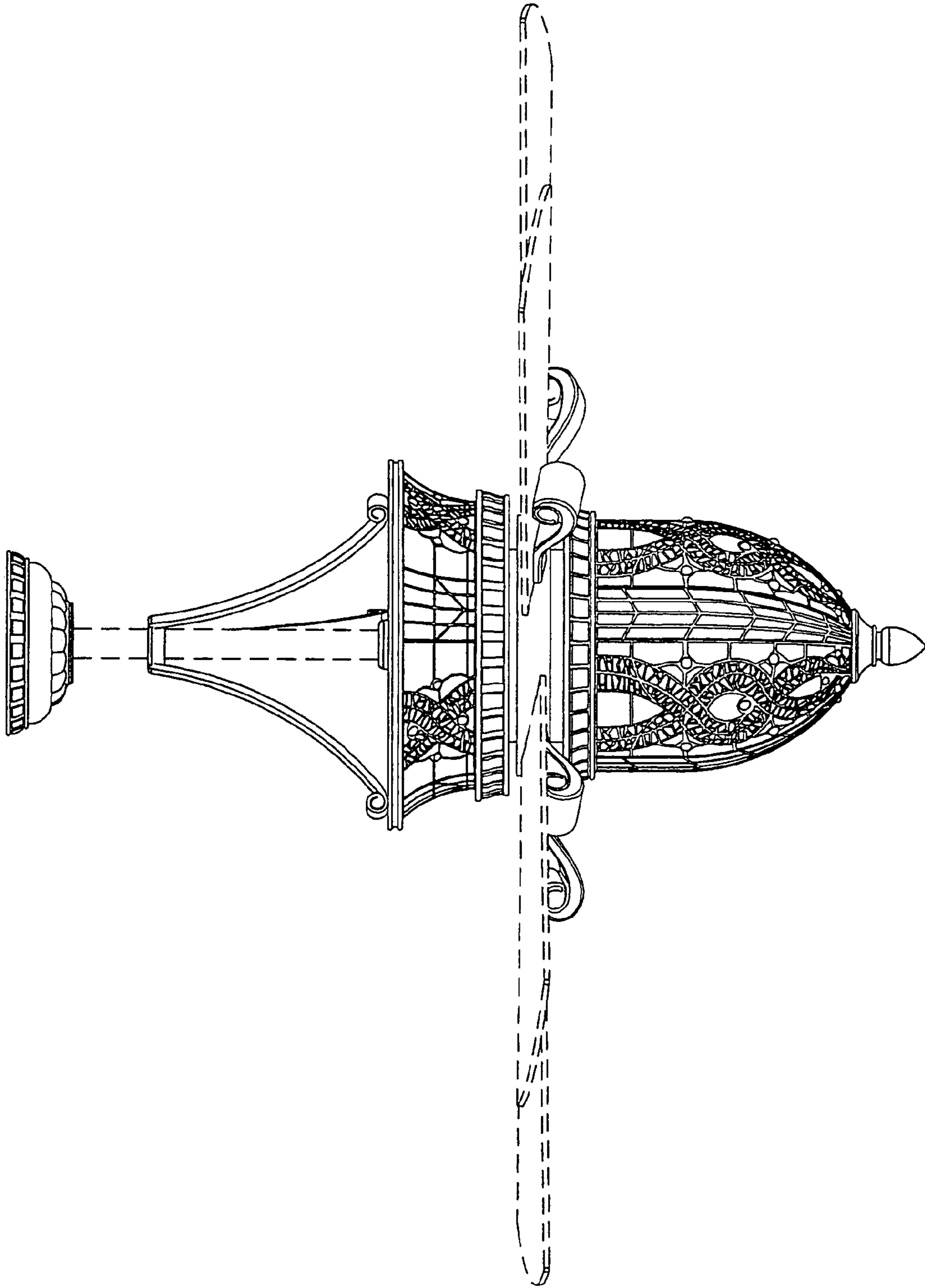


FIG. 5

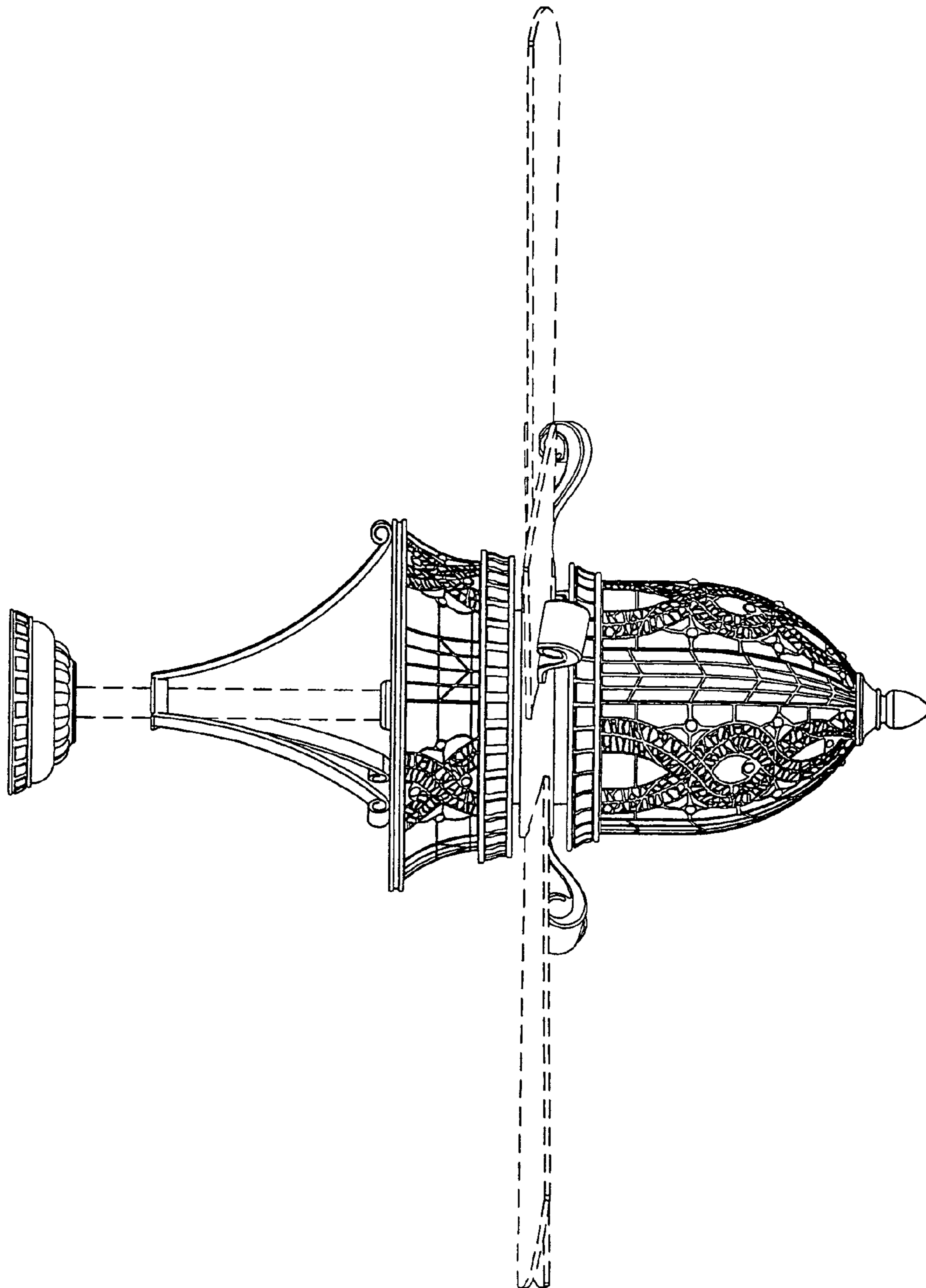


FIG. 6

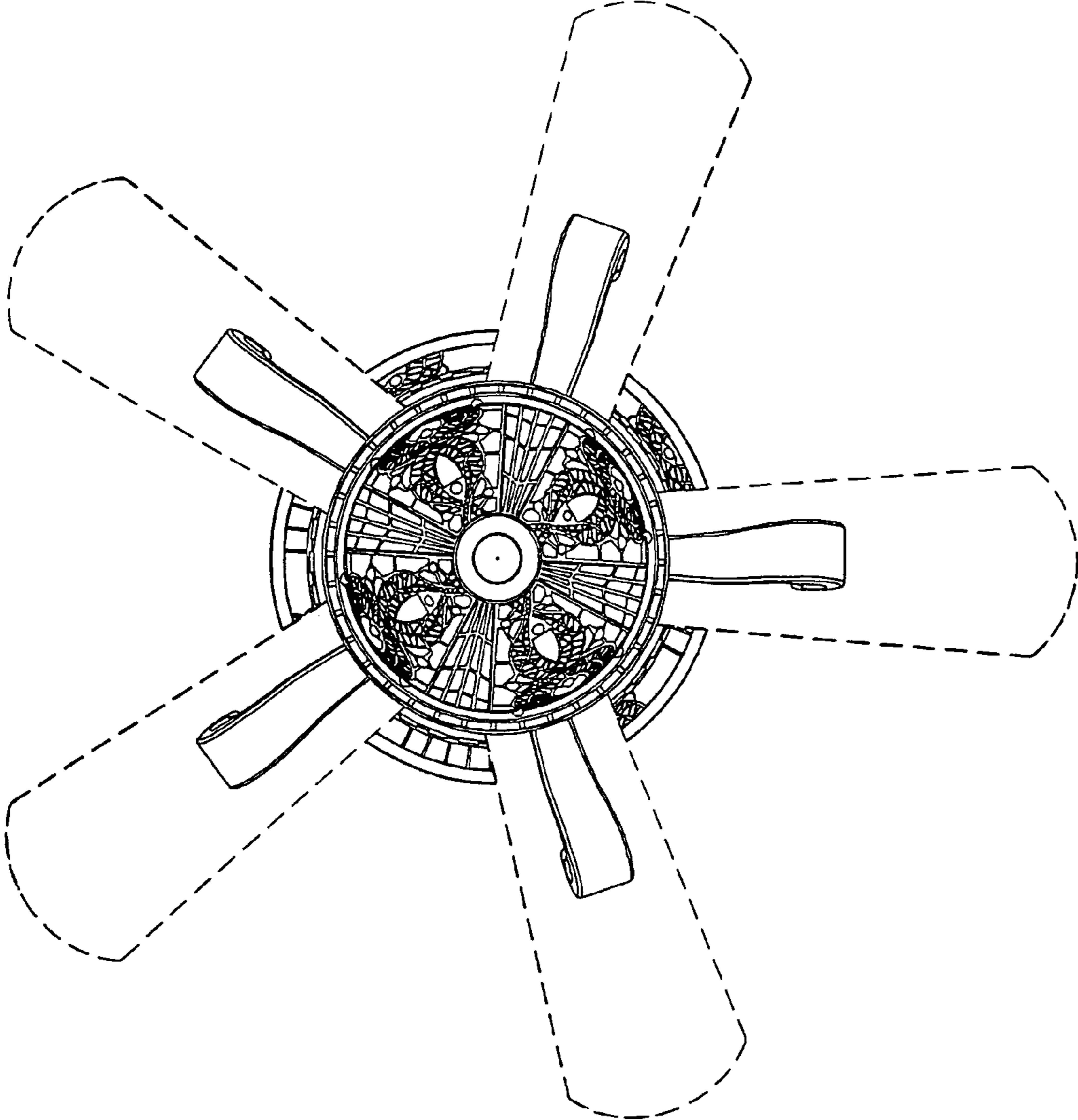


FIG. 7

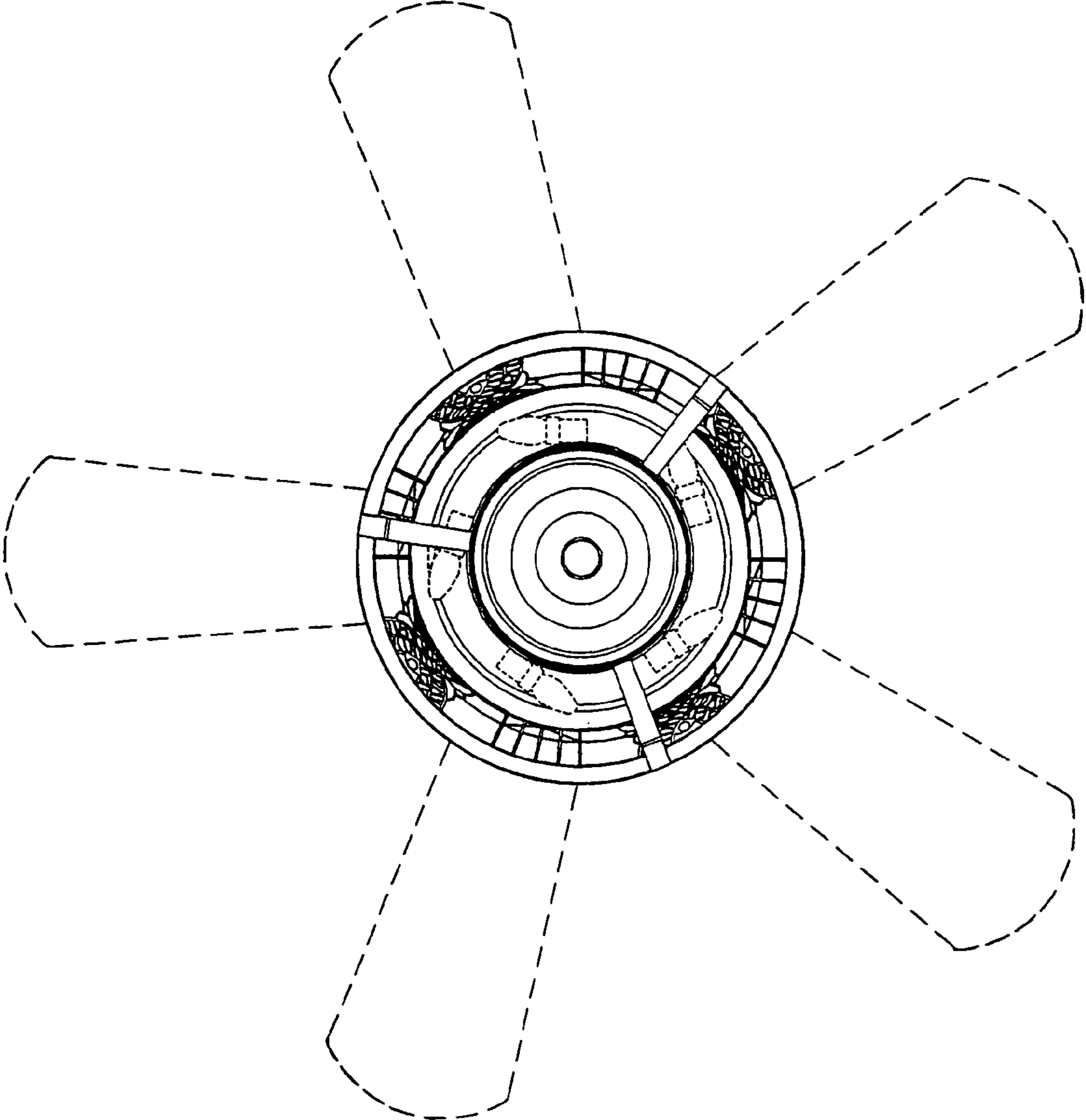


FIG. 8