

US00D576717S

(12) **United States Design Patent**
Ferris

(10) **Patent No.:** **US D576,717 S**

(45) **Date of Patent:** **** Sep. 9, 2008**

(54) **TUB ENCLOSURE**

(75) Inventor: **Jeffrey D. Ferris**, Langhorne, PA (US)

(73) Assignee: **American Shower & bath Corporation**, Moorestown, NJ (US)

(**) Term: **14 Years**

(21) Appl. No.: **29/284,402**

(22) Filed: **Sep. 7, 2007**

(51) **LOC (8) Cl.** **23-02**

(52) **U.S. Cl.** **D23/305**

(58) **Field of Classification Search** D23/275-277,
D23/304-305; 4/538, 663, 596, 612, 614
See application file for complete search history.

(56) **References Cited**

U.S. PATENT DOCUMENTS

D495,789 S * 9/2004 Helmsie et al. D23/283

* cited by examiner

Primary Examiner—Robert A. Delehanty

(74) *Attorney, Agent, or Firm*—Nirav D. Parikh; Lloyd D. Doigan

(57) **CLAIM**

An ornamental design for a tub enclosure, as shown and described.

DESCRIPTION

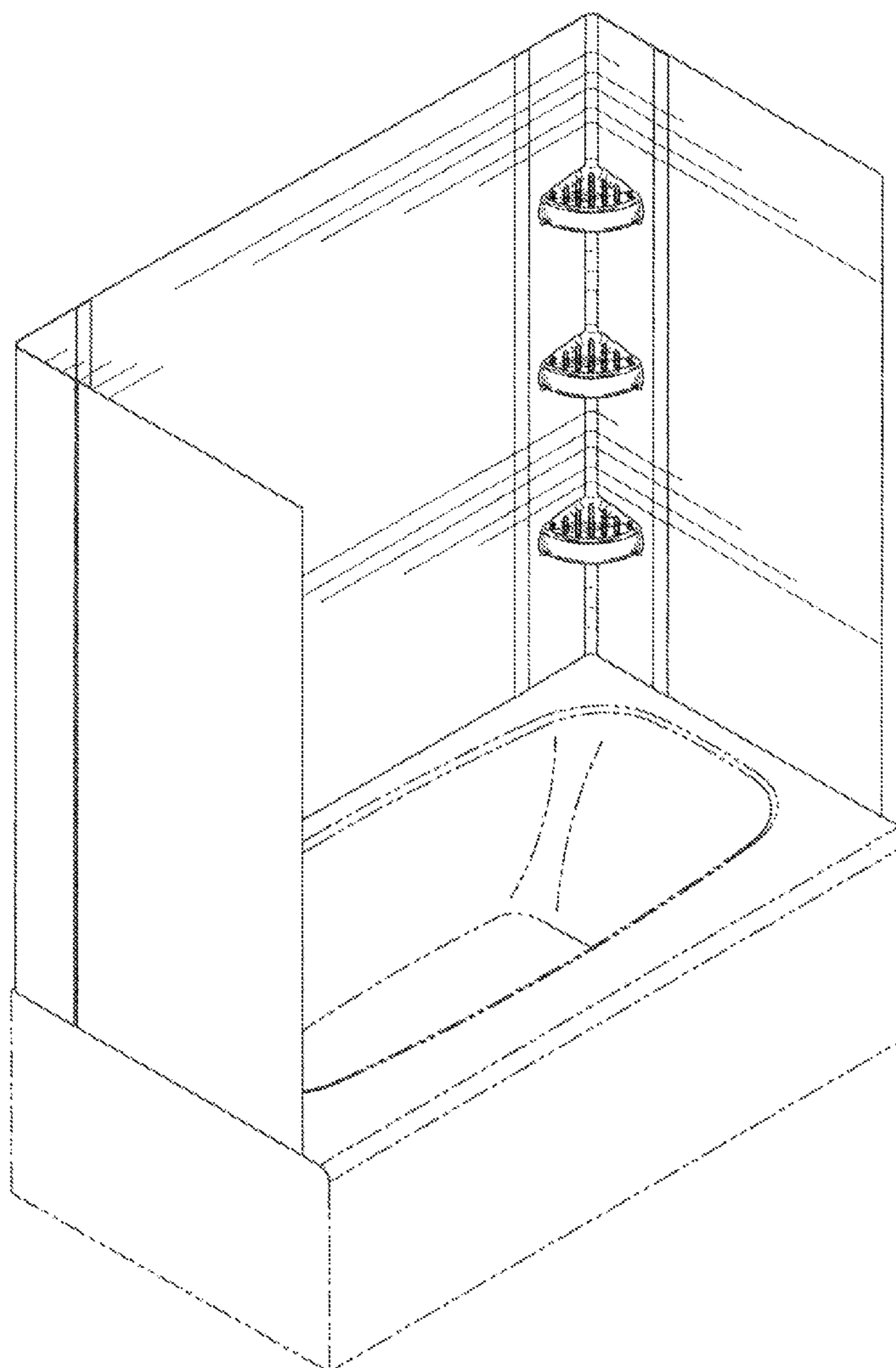
FIG. 1 is a perspective view of the tub enclosure showing my new design;

FIG. 2 is a front view thereof; and,

FIG. 3 is a top plan view thereof.

The broken lines showing of the tub is for illustrative purposes only and forms no part of the claimed design.

1 Claim, 3 Drawing Sheets



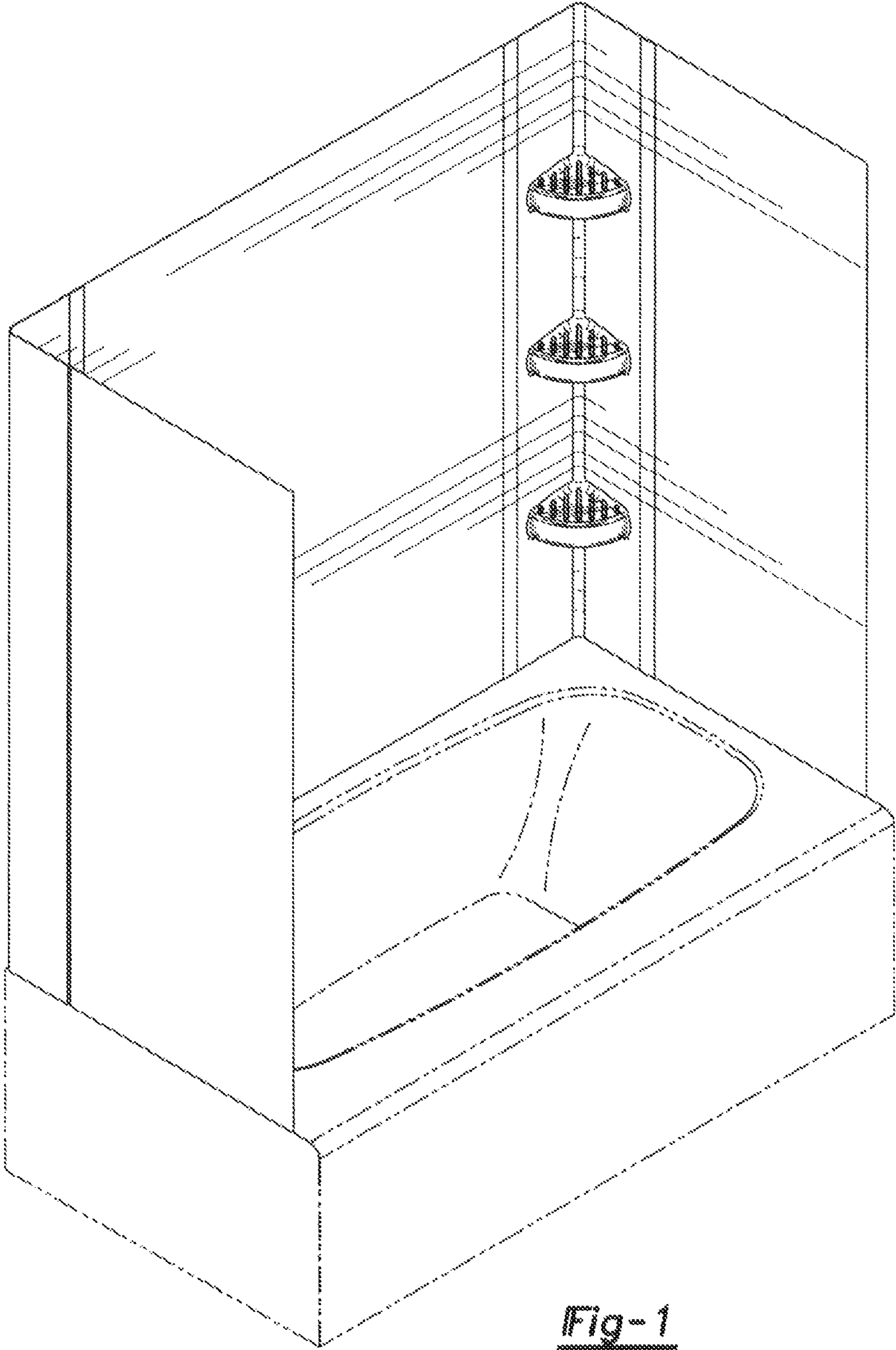


Fig-1

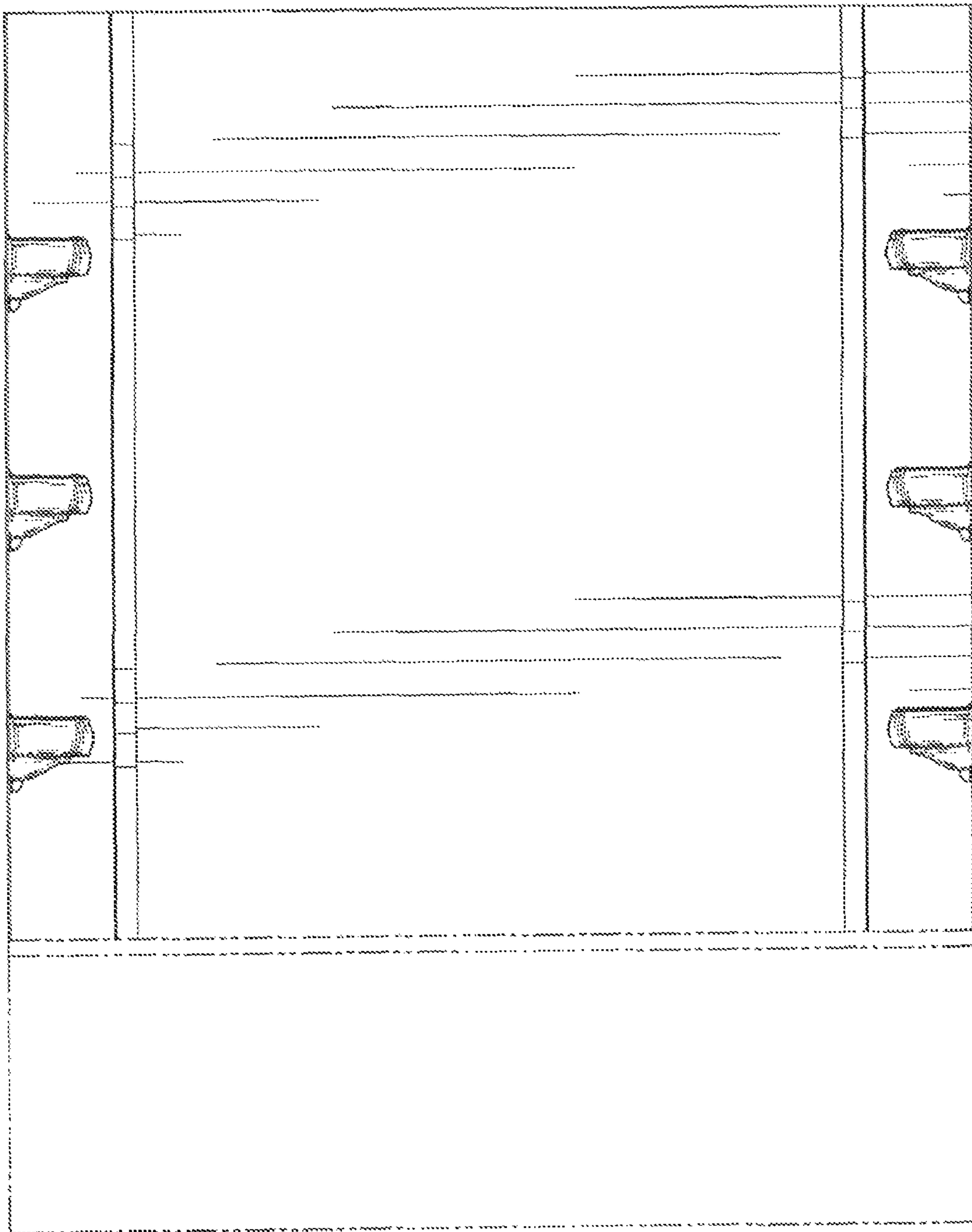


Fig-2

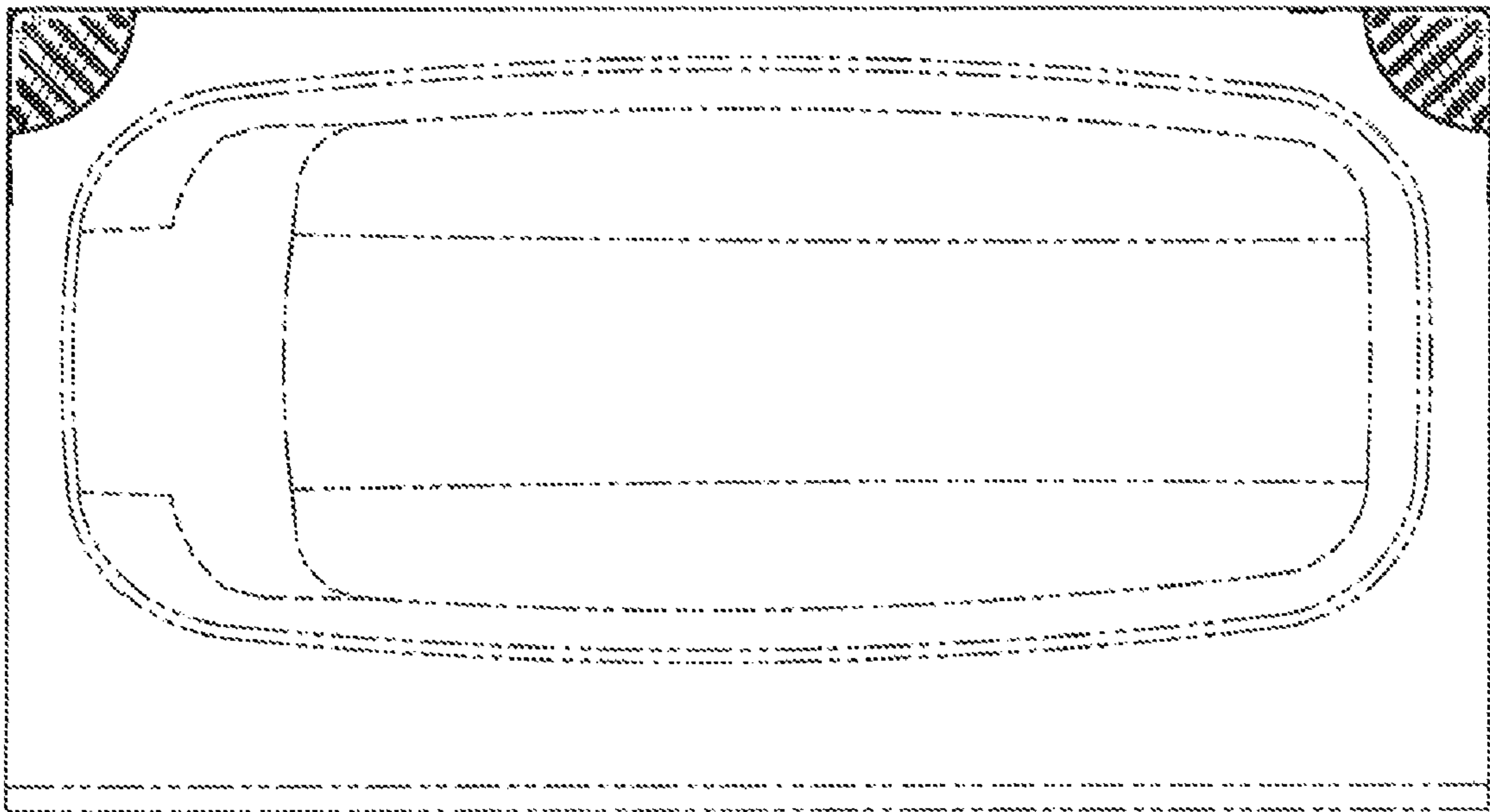


Fig-3