



US00D576716S

(12) **United States Design Patent**  
**Kaule**

(10) **Patent No.:** **US D576,716 S**

(45) **Date of Patent:** **\*\* Sep. 9, 2008**

(54) **WATER CLOSET**

(75) Inventor: **Brian M. Kaule**, Sheboygan Falls, WI (US)

(73) Assignee: **Kohler Co.**, Kohler, WI (US)

(\*\*) Term: **14 Years**

(21) Appl. No.: **29/279,278**

(22) Filed: **Apr. 25, 2007**

(51) **LOC (8) Cl.** ..... **23-02**

(52) **U.S. Cl.** ..... **D23/295**

(58) **Field of Classification Search** ..... D23/295,  
D23/301, 303, 309, 299; 4/664, 300, 420,  
4/DIG. 15

See application file for complete search history.

(56) **References Cited**

**U.S. PATENT DOCUMENTS**

538,168 A	4/1895	Keeler	
D45,056 S	12/1913	Cochran	
D213,958 S	4/1969	Ruggles	
D221,652 S	8/1971	Harvey	
D256,722 S	9/1980	Sargent et al.	
D345,200 S *	3/1994	Kawamura et al.	..... D23/295
D477,388 S	7/2003	Shands	
D531,711 S	11/2006	Bradford	

**OTHER PUBLICATIONS**

Eljer. Square toilet. Eljer. 2006.  
Jacob Delafon. "OVE bidet". Model No. E1586. Jacob Delafon  
online catalog. Jacob Delafon online catalog.

Villeroy & Boch Bath & Kitchen. "Gold Effect Bidet".  
Homeportfolio.com online catalog. Copyright 1997-2007  
HomePortfolio Inc.

Villeroy & Boch Bath & Kitchen. "Tiora Bidet". Villeroy & Boch  
catalog.

Duravit. Starck X #210109. Duravit online catalog. Copyright 2006  
Duravit.

\* cited by examiner

*Primary Examiner*—Robert A Delehanty

(74) *Attorney, Agent, or Firm*—Quarles & Brady LLP

(57) **CLAIM**

The ornamental design for a water closet, as shown and  
described.

**DESCRIPTION**

In a preferred embodiment, the nature of this product is a  
plumbing fixture which is primarily useful for receiving the  
liquid and solid waste of humans.

FIG. 1 is a right, top, front perspective view of a water closet  
embodying my new design;

FIG. 2 is a top plan view thereof;

FIG. 3 is a front elevational view thereof;

FIG. 4 is a right side elevational view thereof;

FIG. 5 is a left side elevation view thereof;

FIG. 6 is a rear elevational view thereof; and,

FIG. 7 is bottom plan view thereof.

The broken line representations in the figures are for the  
purpose of illustration only, and form no part of the claimed  
design.

**1 Claim, 3 Drawing Sheets**

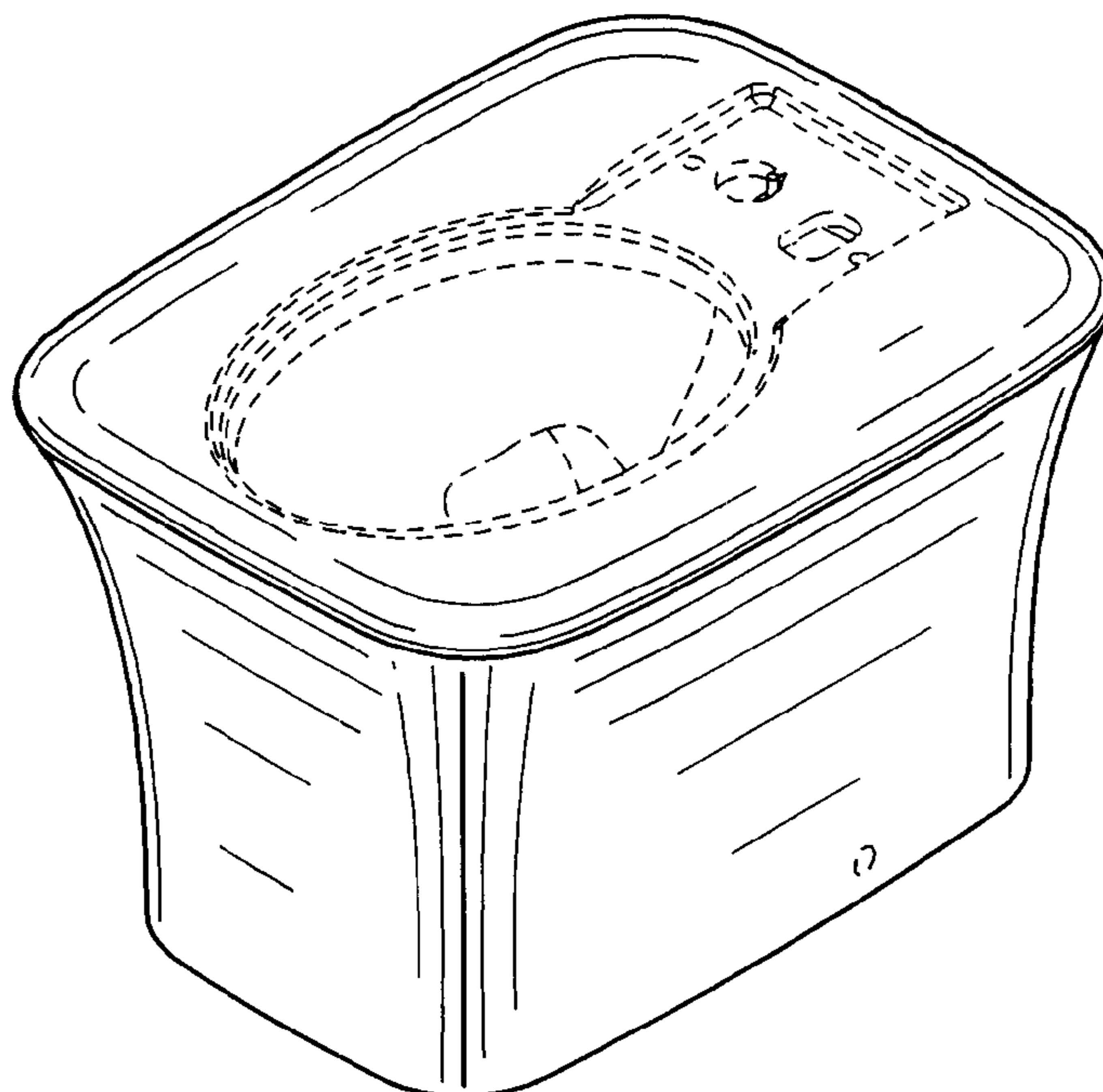


FIG. 1

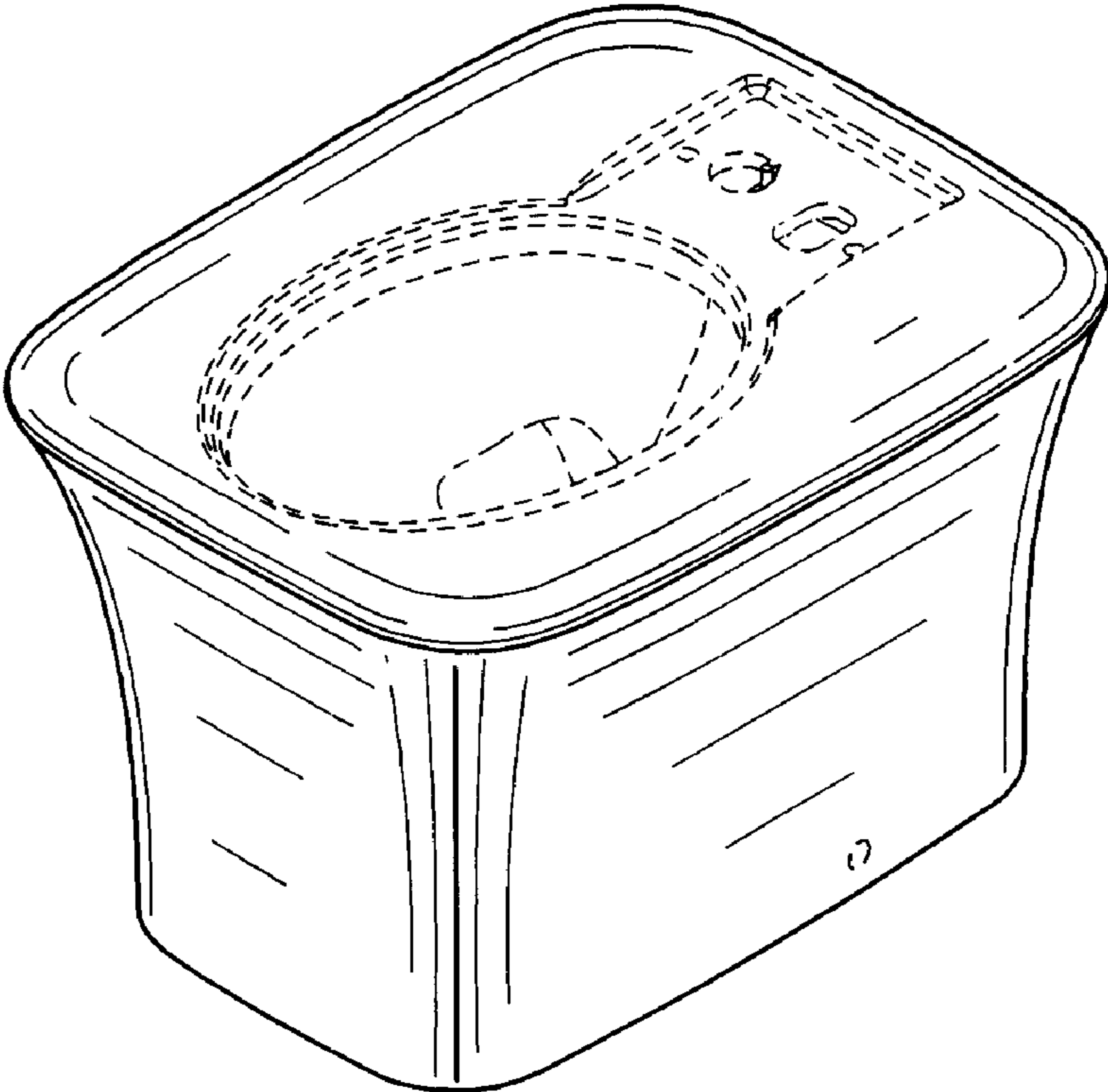


FIG. 2

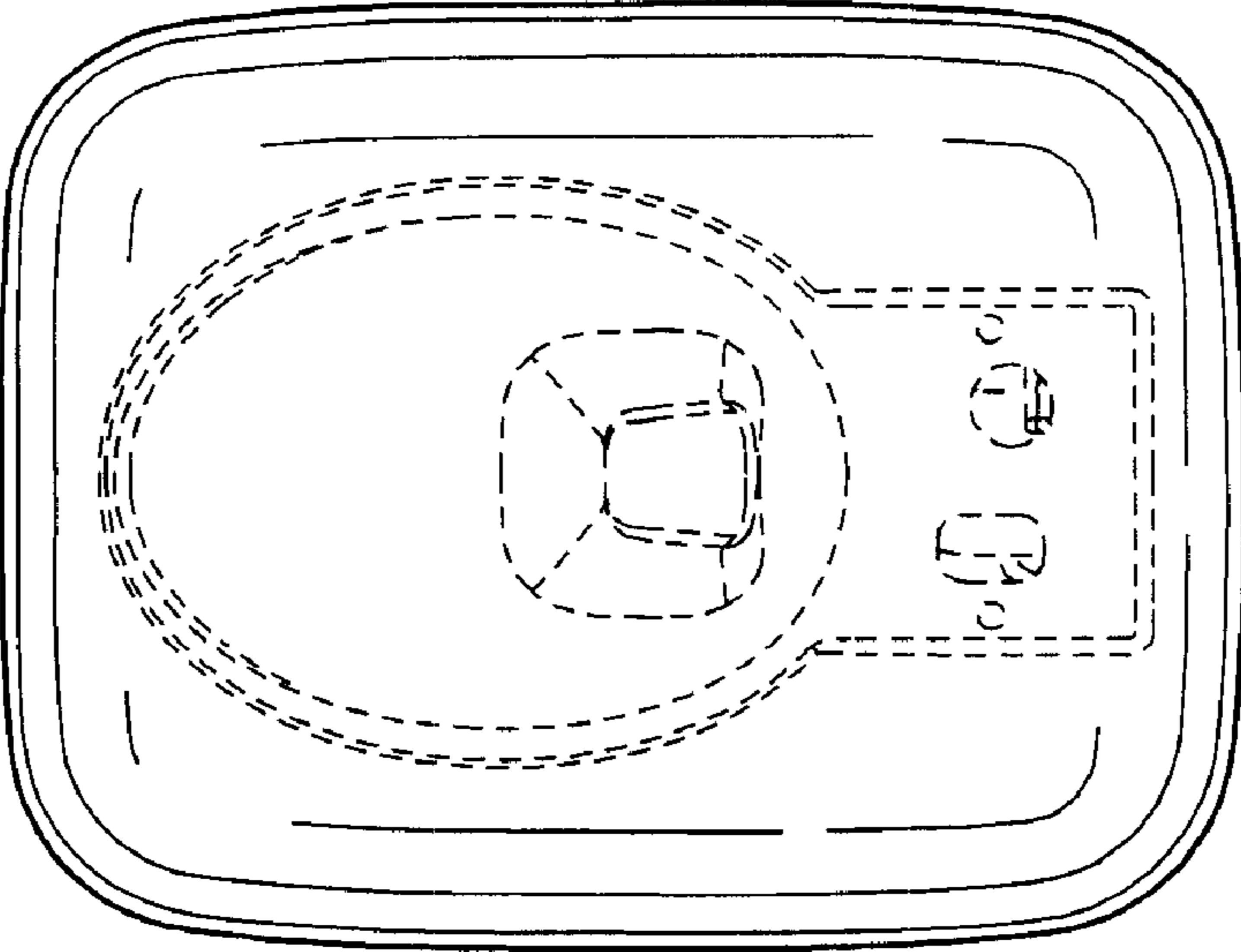


FIG. 3

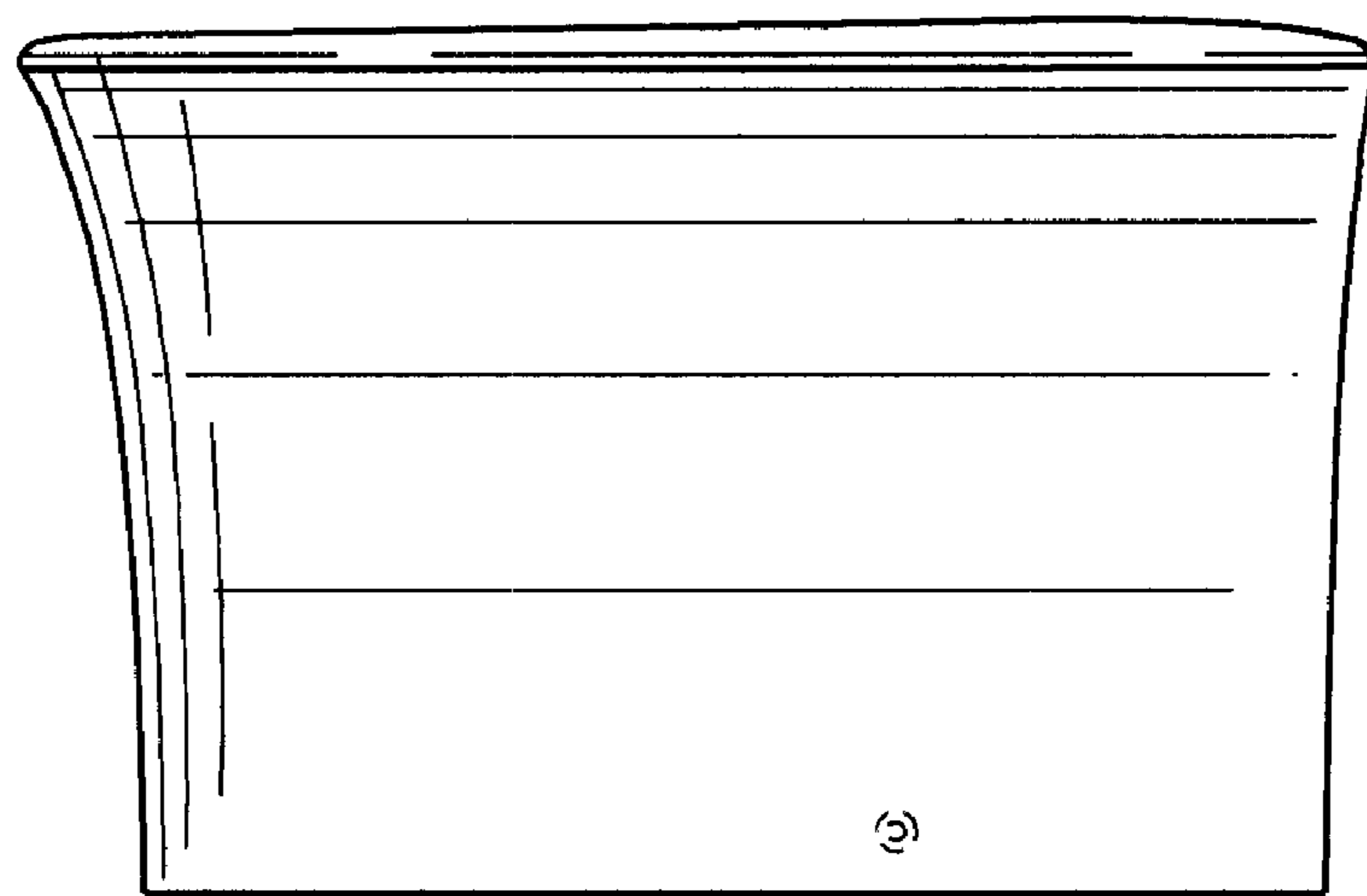
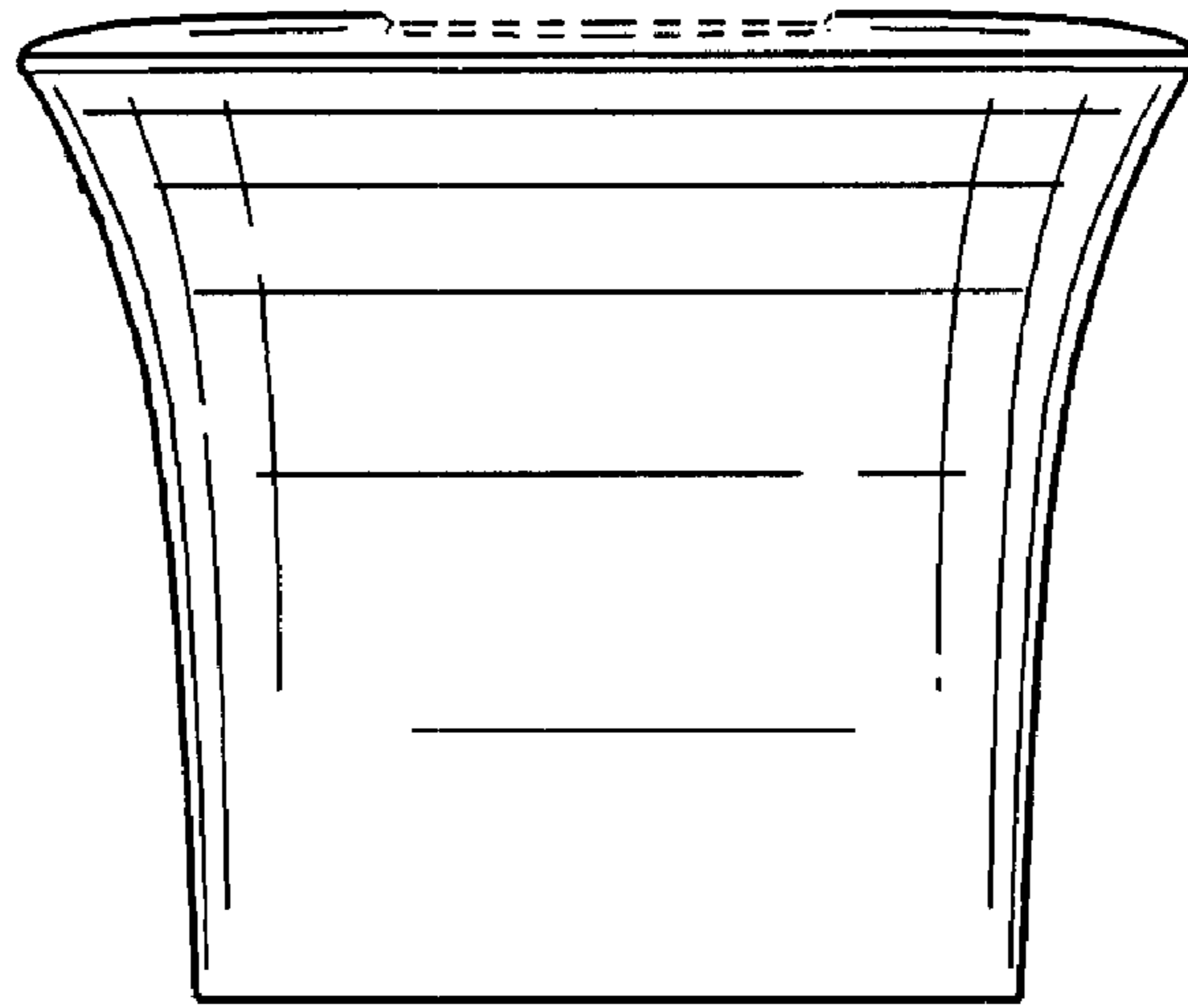


FIG. 4

FIG. 5

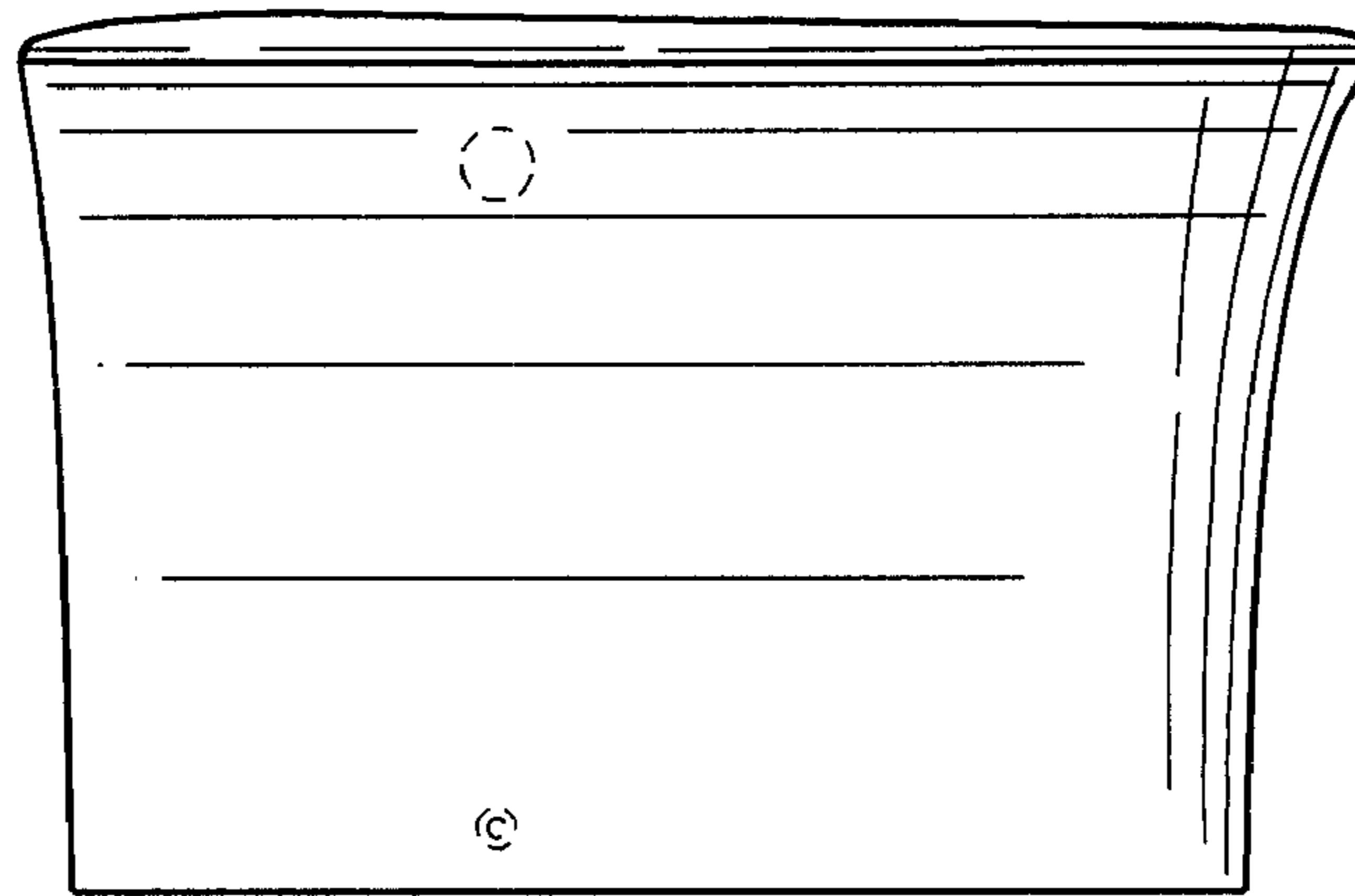


FIG. 6

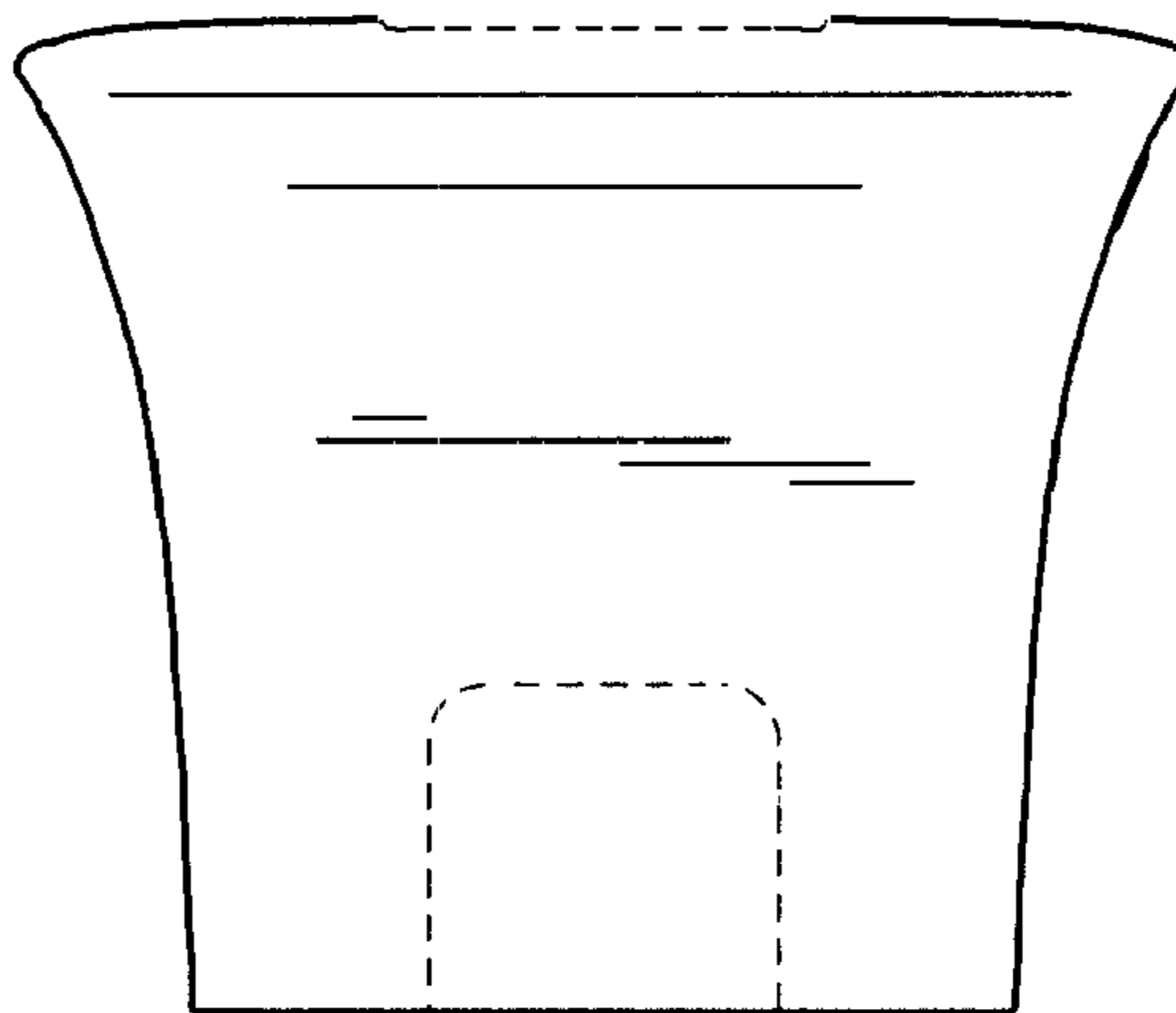


FIG. 7

