



US00D576714S

(12) **United States Design Patent**
Florence

(10) **Patent No.:** **US D576,714 S**
(45) **Date of Patent:** **** Sep. 9, 2008**

(54) **YARD DRAIN**

(76) Inventor: **Brian A. Florence**, 126 Lauries La.,
Marstons Mills, MA (US) 02648

(**) Term: **14 Years**

(21) Appl. No.: **29/291,849**

(22) Filed: **Sep. 18, 2007**

(51) **LOC (8) Cl.** **23-01**

(52) **U.S. Cl.** **D23/261**

(58) **Field of Classification Search** D23/259-269;
52/19, 20, 169.5, 169.6; 137/362, 321; 404/25,
404/36, 39

See application file for complete search history.

(56) **References Cited**

U.S. PATENT DOCUMENTS

1,202,723	A *	10/1916	Jackson	210/434
4,615,362	A *	10/1986	Hartman et al.	141/86
4,982,533	A	1/1991	Florence		
4,983,069	A	1/1991	Florence		
5,131,196	A	7/1992	Florence		
5,195,284	A	3/1993	Florence		
D350,814	S	9/1994	Florence		
D350,815	S	9/1994	Florence		

D350,816	S	9/1994	Florence		
6,295,661	B1 *	10/2001	Bromley	4/504
6,408,452	B1 *	6/2002	Bromley	4/504
7,153,057	B1 *	12/2006	Lucas	404/25
2008/0075532	A1 *	3/2008	Boyd	404/25

* cited by examiner

Primary Examiner—Louis S Zarfaz

Assistant Examiner—Eric L Goodman

(74) *Attorney, Agent, or Firm*—John P. McGonagle

(57) **CLAIM**

The ornamental design for a yard drain, as shown and described.

DESCRIPTION

FIG. 1 is a top perspective view of a yard drain embodying my new design;

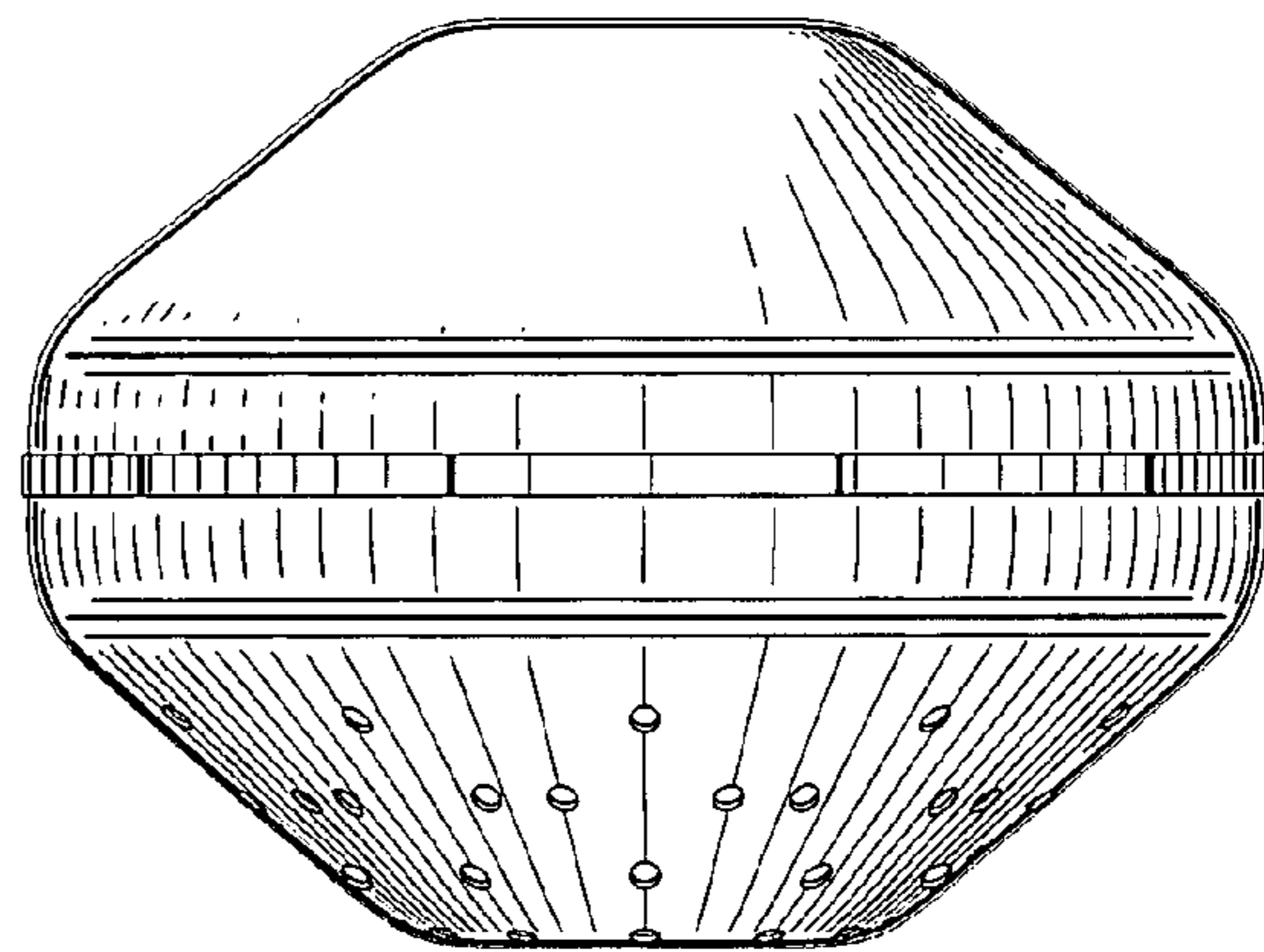
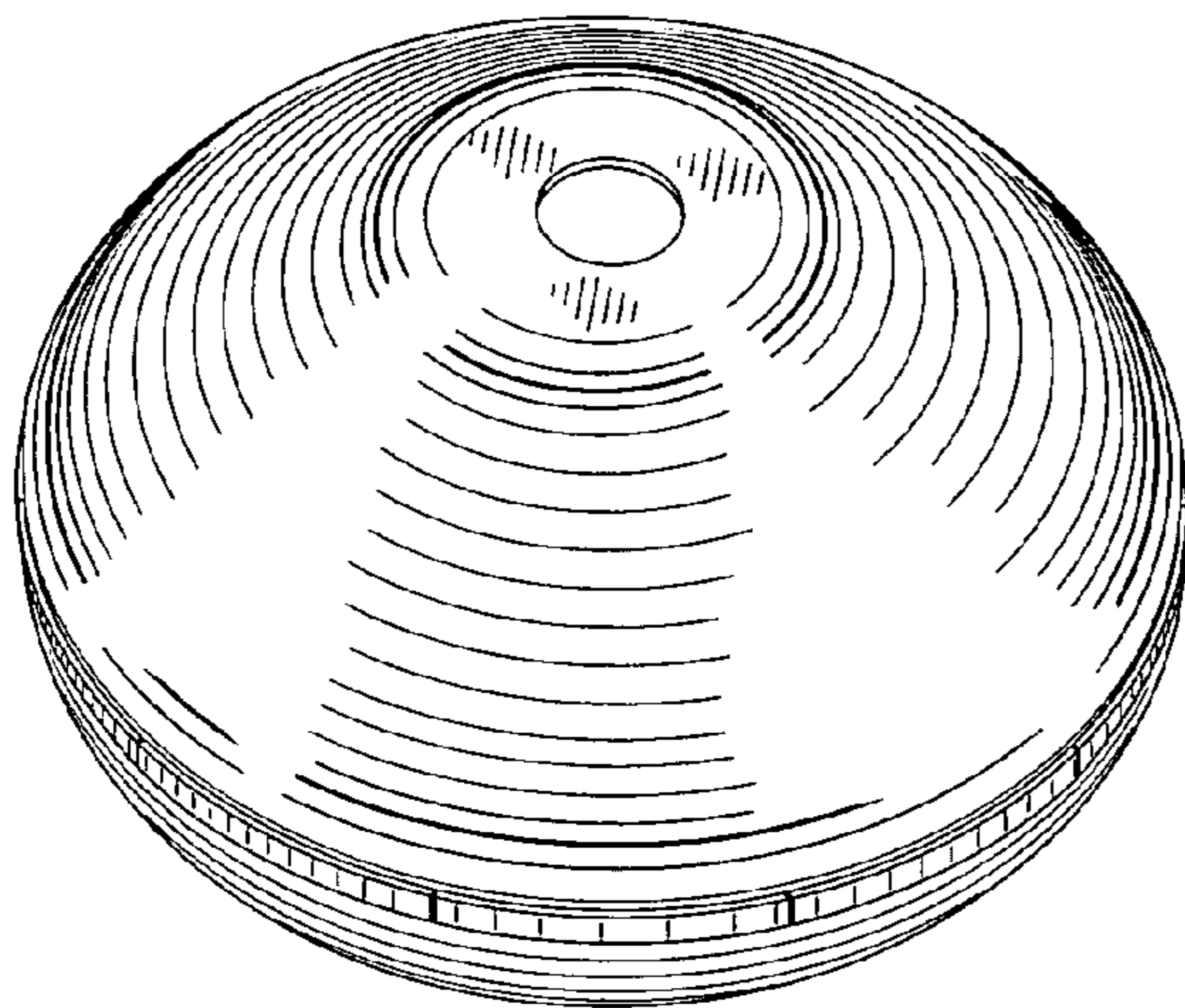
FIG. 2 is a bottom perspective view thereof;

FIG. 3 is a bottom view thereof;

FIG. 4 is a top view thereof; and,

FIG. 5 is a side view thereof, the opposite side being a mirror image thereof.

1 Claim, 2 Drawing Sheets



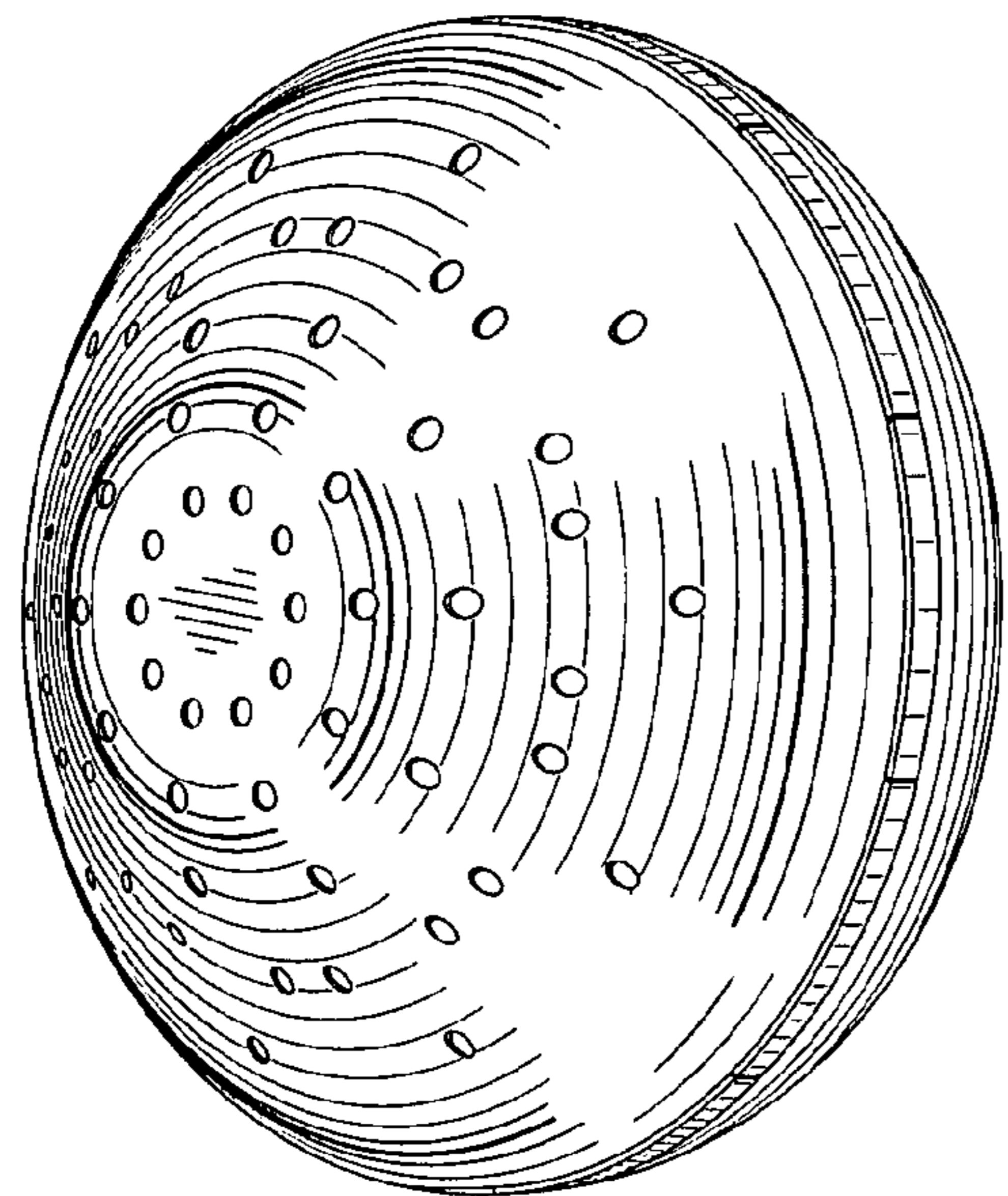


FIG. 2

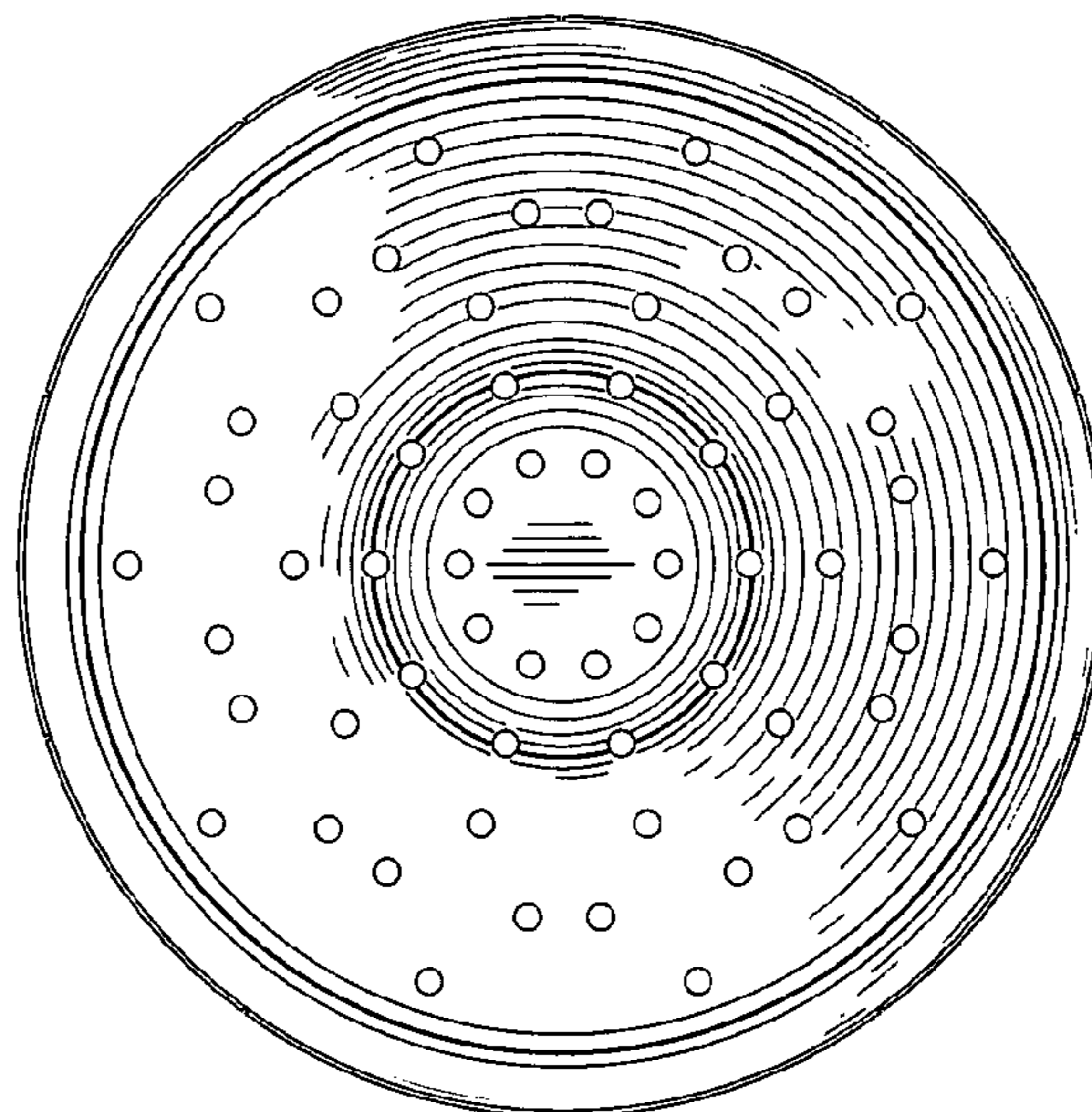


FIG. 3

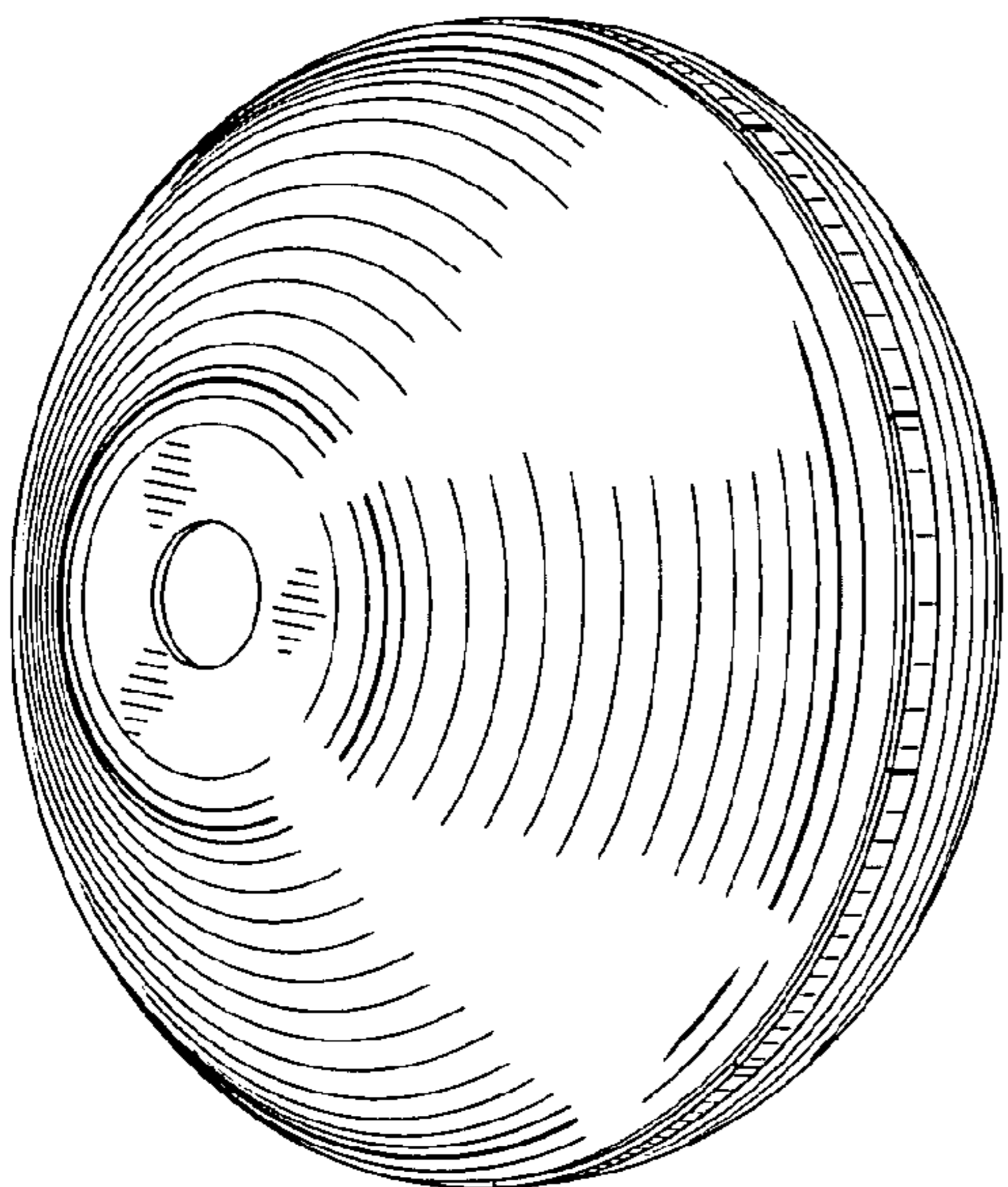


FIG. 1

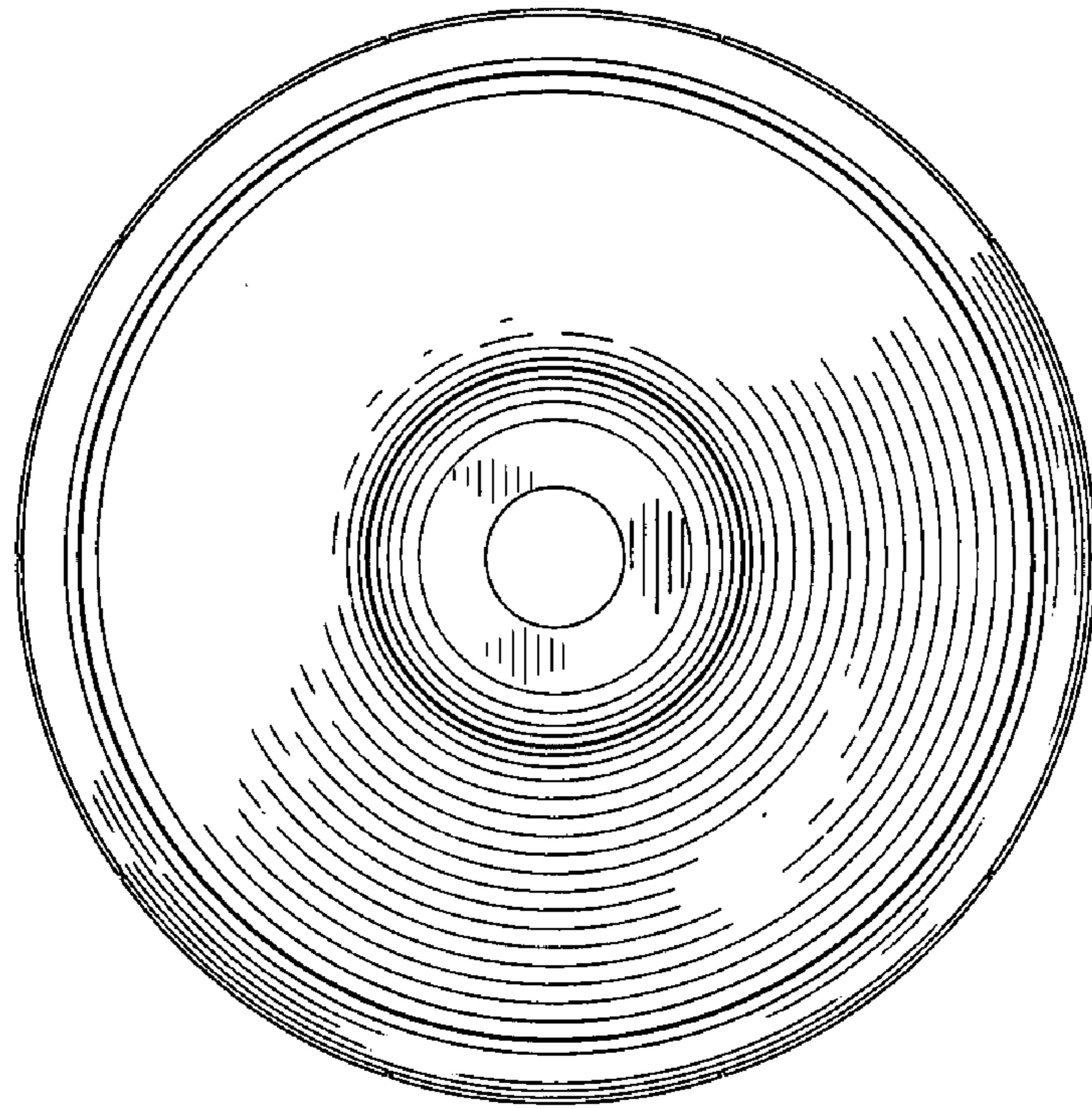


FIG. 4

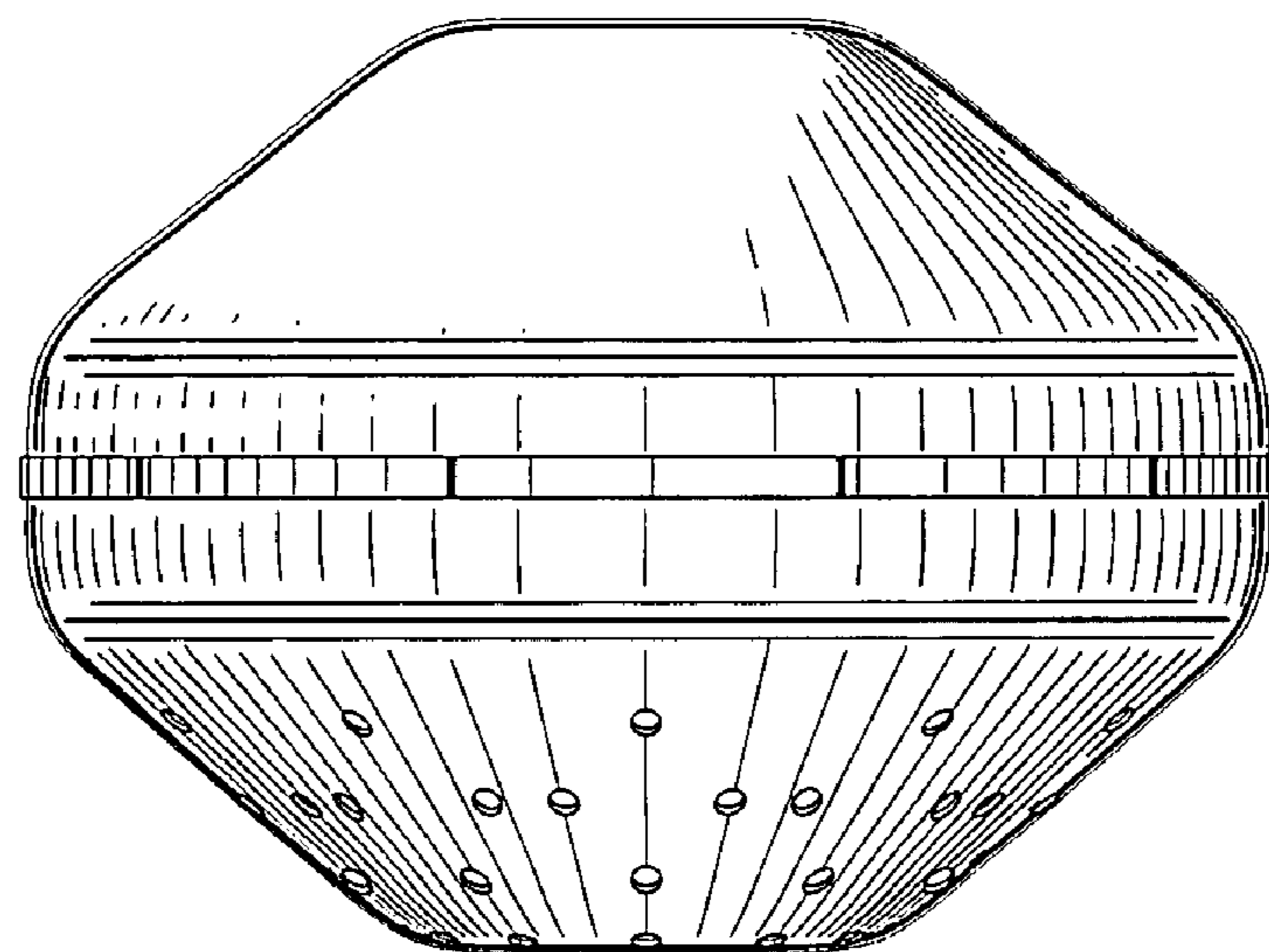


FIG. 5