



US00D576711S

(12) **United States Design Patent**
Urquiola

(10) **Patent No.:** **US D576,711 S**
(45) **Date of Patent:** **** Sep. 9, 2008**

(54) **FAUCET HANDLE**

(75) Inventor: **Patricia Urquiola**, Milan (IT)

(73) Assignee: **Hansgrohe AG** (DE)

(**) Term: **14 Years**

(21) Appl. No.: **29/283,889**

(22) Filed: **Aug. 27, 2007**

(30) **Foreign Application Priority Data**

Feb. 28, 2007 (DE) 4 07 01 257

(51) **LOC (8) Cl.** **23-01**

(52) **U.S. Cl.** **D23/250**

(58) **Field of Classification Search** D23/250,
D23/252-254, 238-243, 244-249; 4/675-678;
D8/300, 307-308; D6/550; 137/801; 16/110.1,
16/441

See application file for complete search history.

(56) **References Cited**

U.S. PATENT DOCUMENTS

D540,917 S * 4/2007 Kikuchi D23/241

D541,385 S * 4/2007 Haug et al. D23/252
D568,443 S * 5/2008 Urquiola D23/240
D569,484 S * 5/2008 Urquiola D23/238

* cited by examiner

Primary Examiner—Robert A Delehanty

(74) *Attorney, Agent, or Firm*—Leon E. Redman; Lloyd D. Doigan

(57) **CLAIM**

The ornamental design for a faucet handle, as shown and described.

DESCRIPTION

FIG. 1 is a front perspective view of a faucet handle showing my design;

FIG. 2 is a left side elevational view thereof;

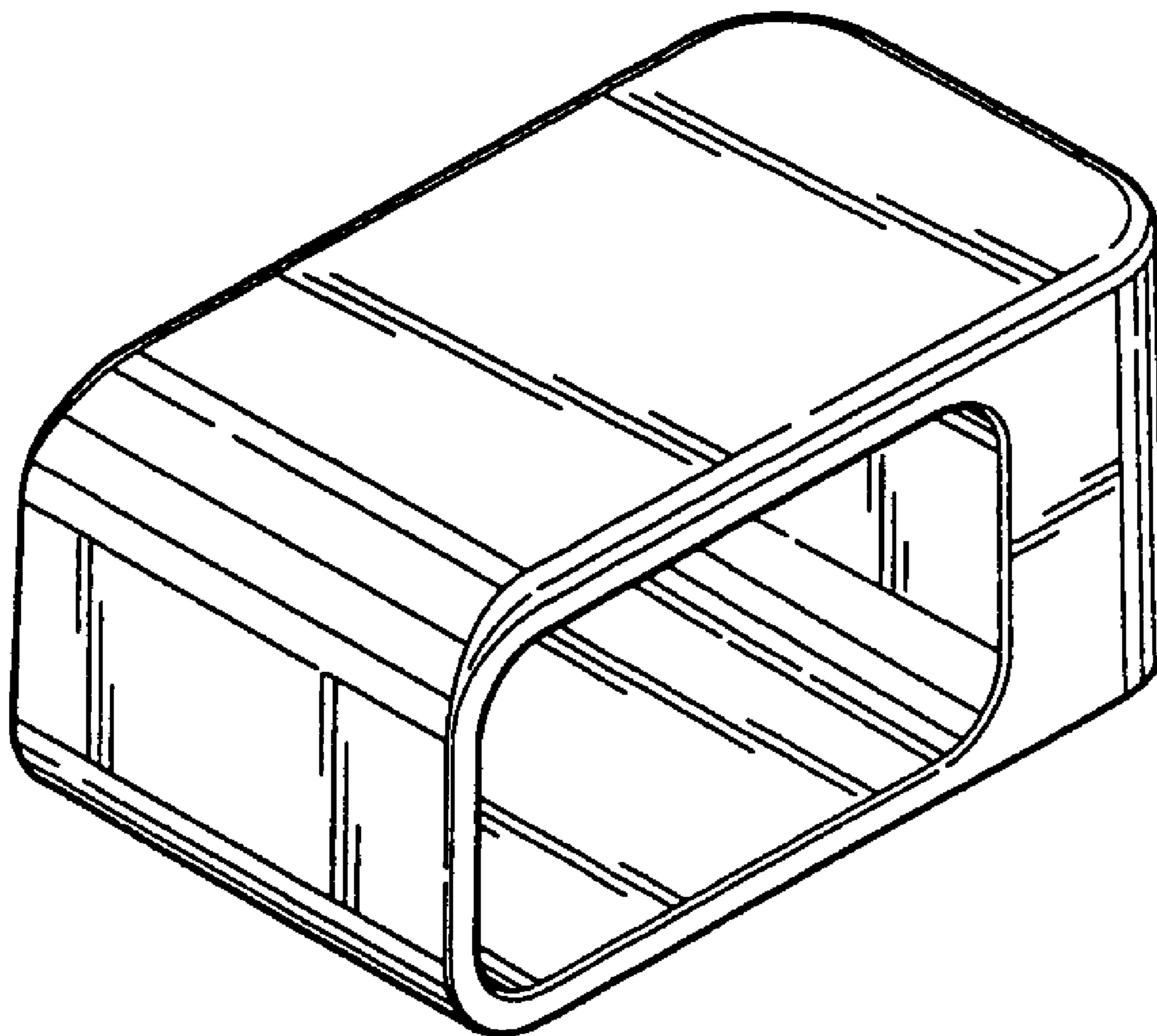
FIG. 3 is a right side elevational view thereof;

FIG. 4 is a front elevational view thereof;

FIG. 5 is a top plan view thereof; and,

FIG. 6 is a bottom plan view thereof.

1 Claim, 4 Drawing Sheets



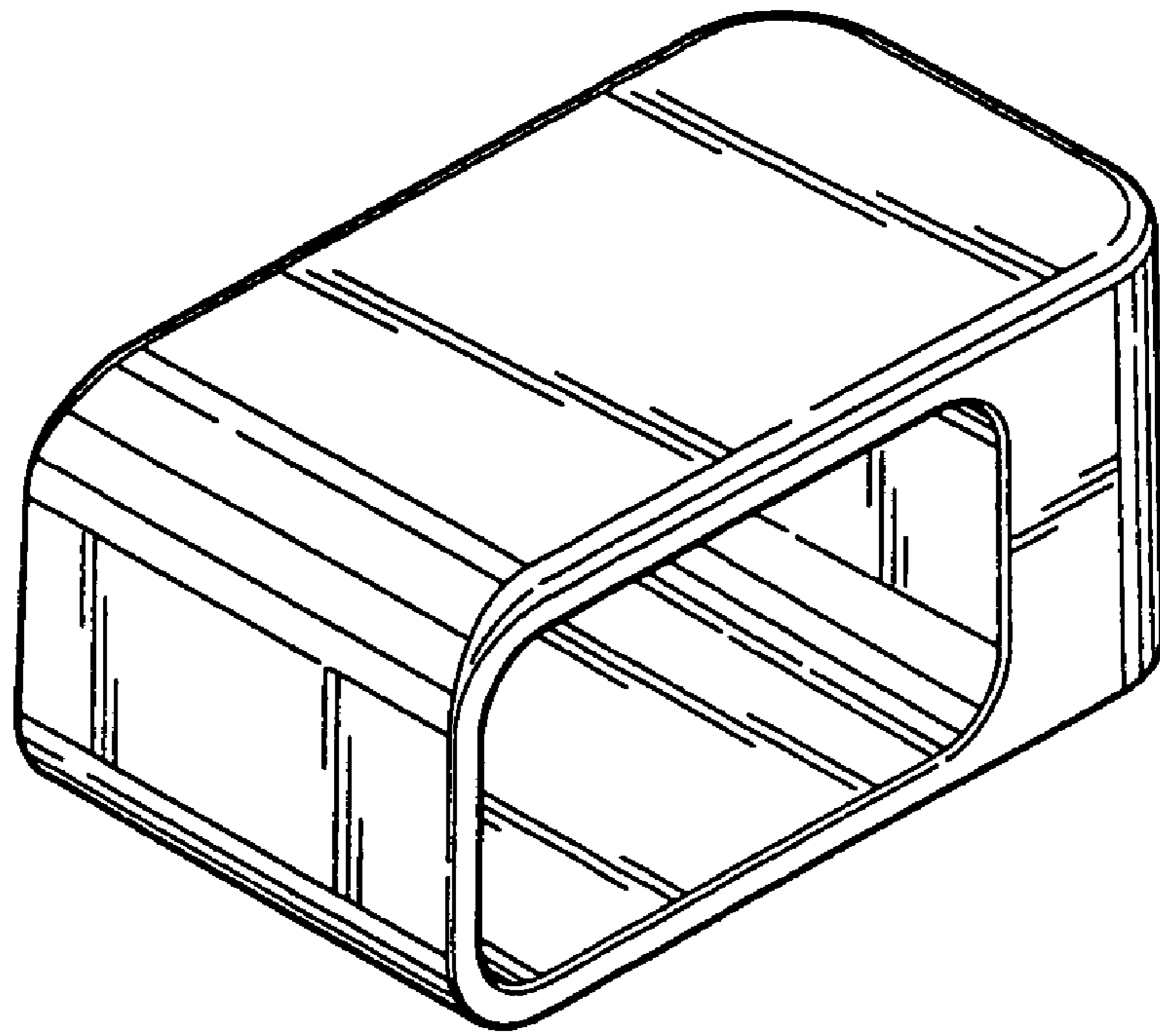


FIG. 1

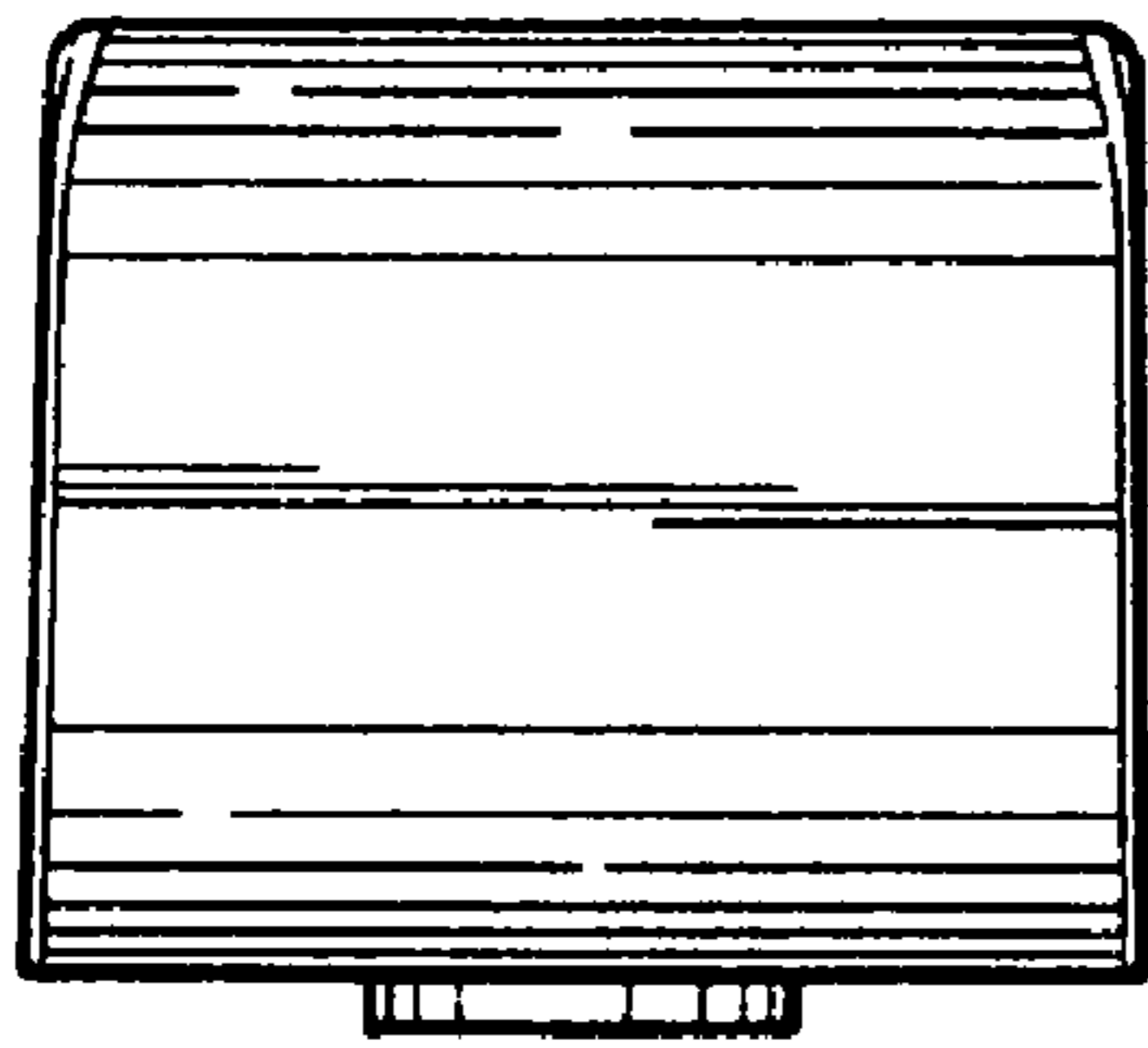


FIG. 2

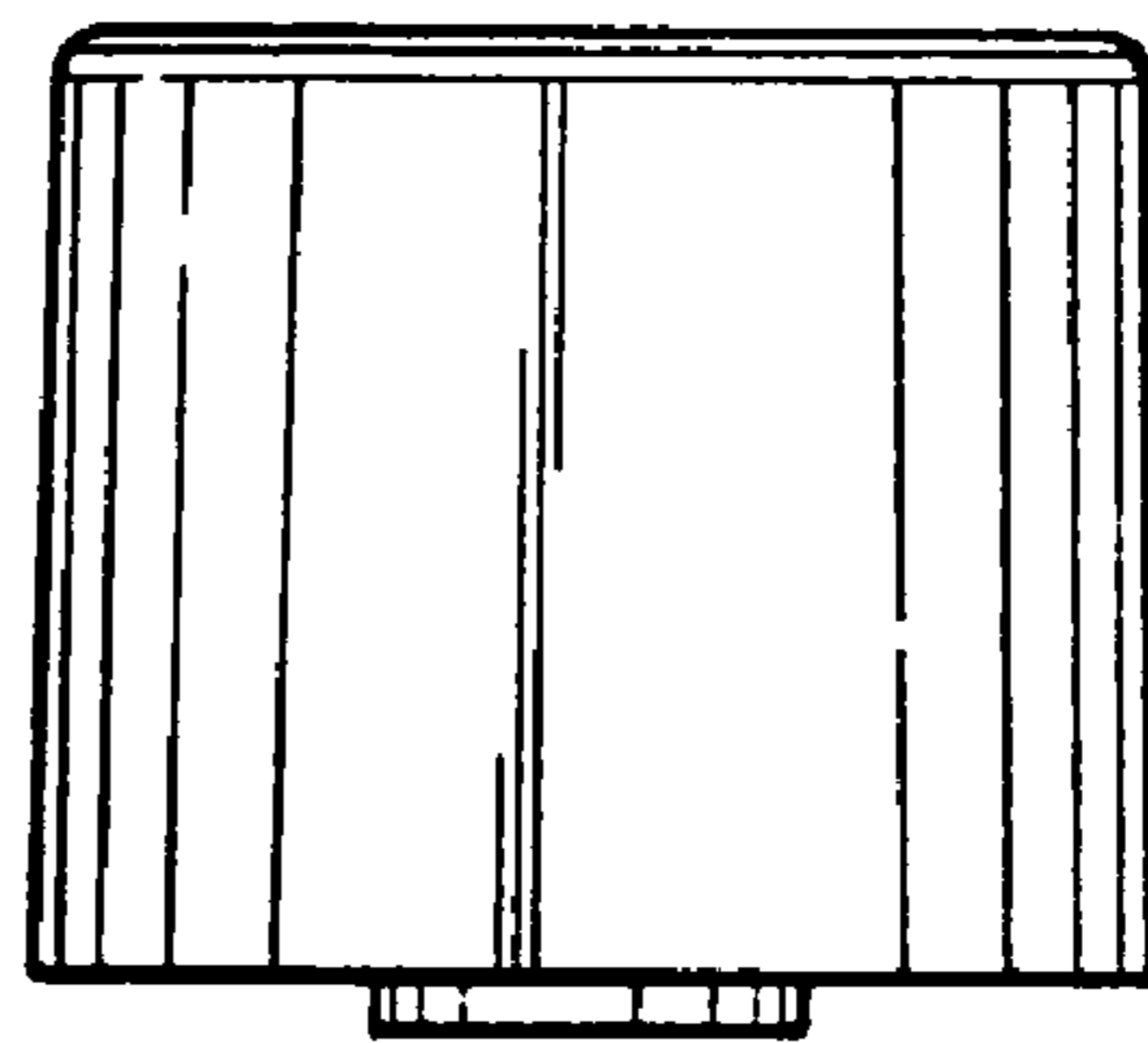


FIG. 3

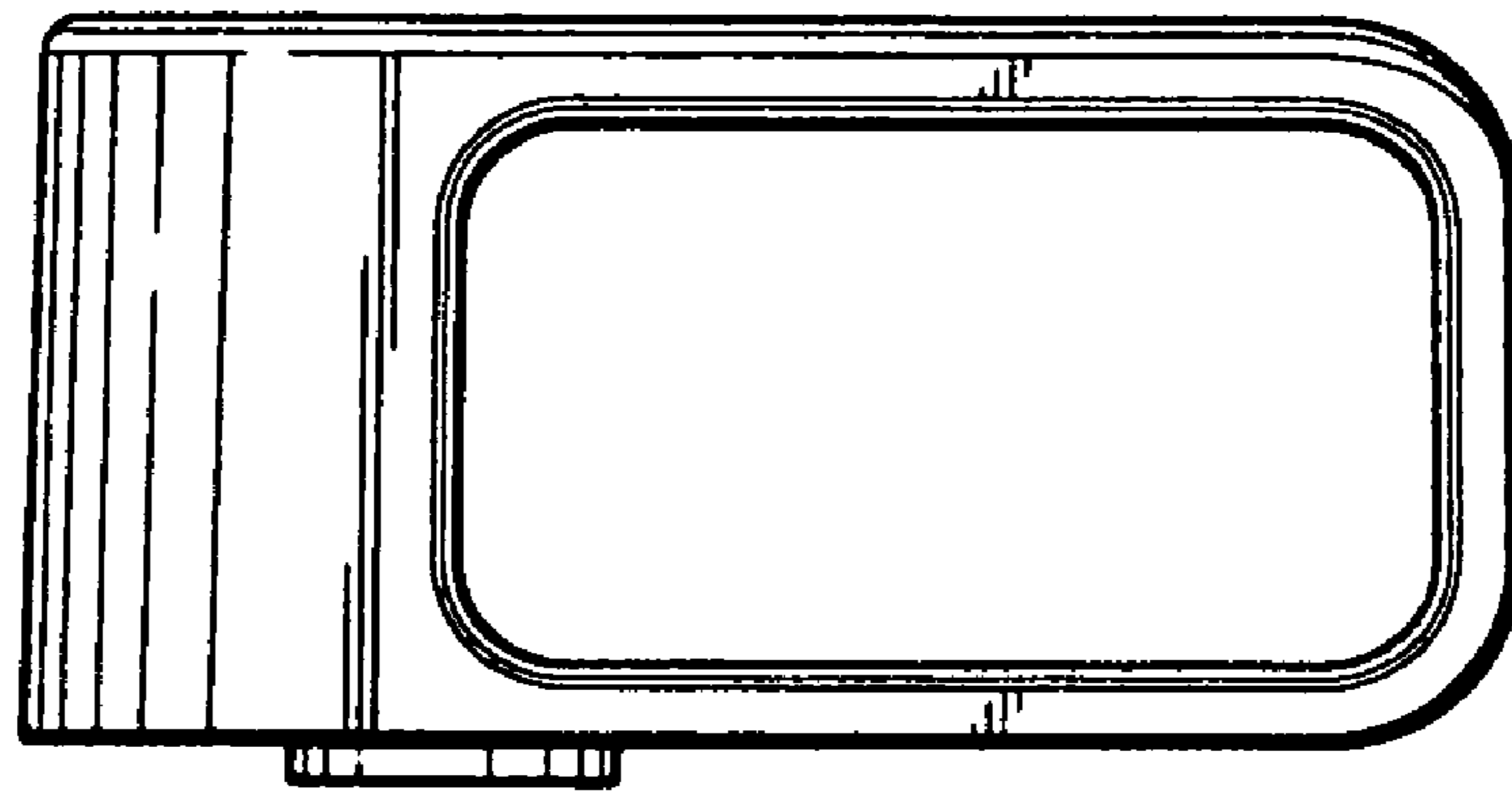


FIG. 4

FIG. 5

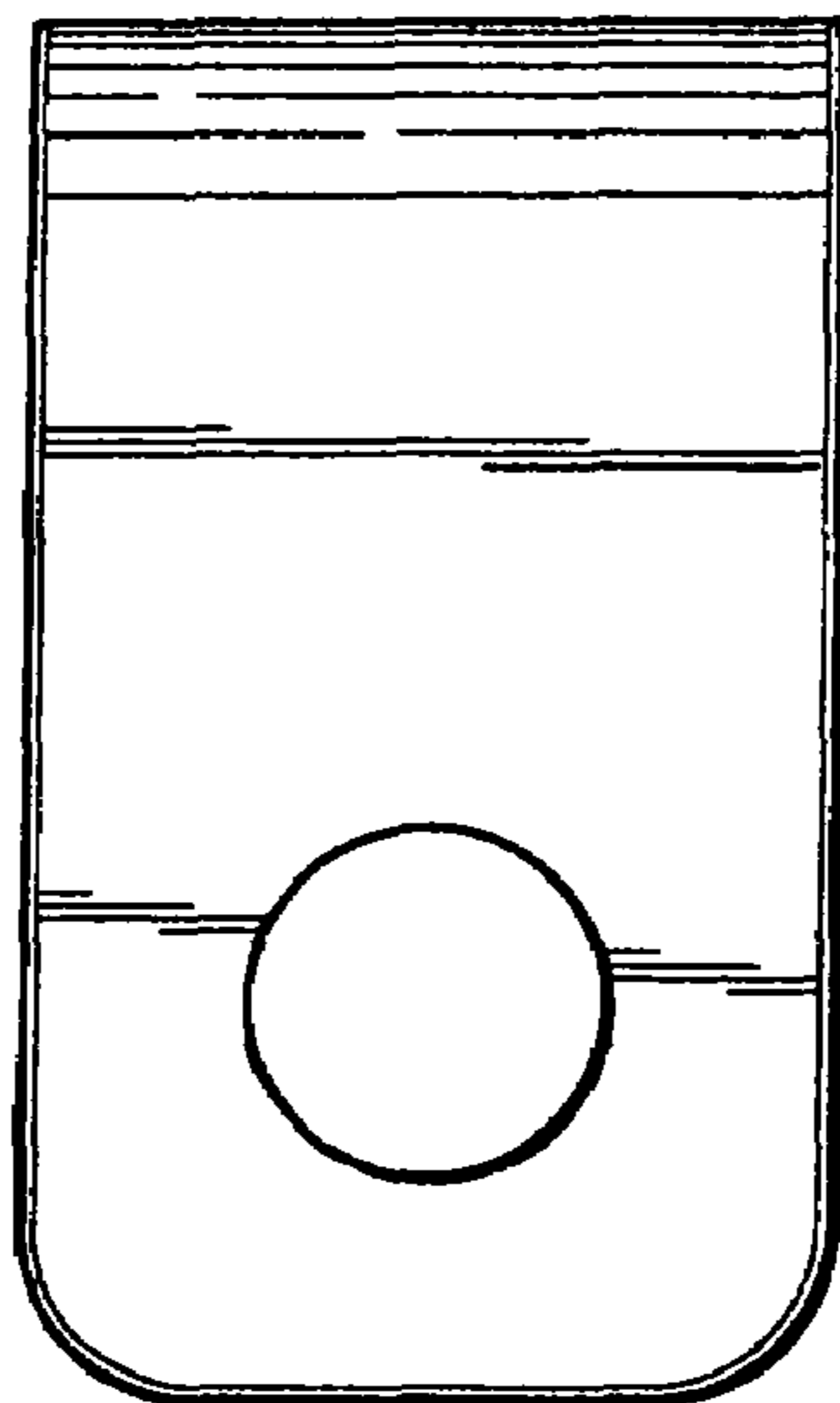
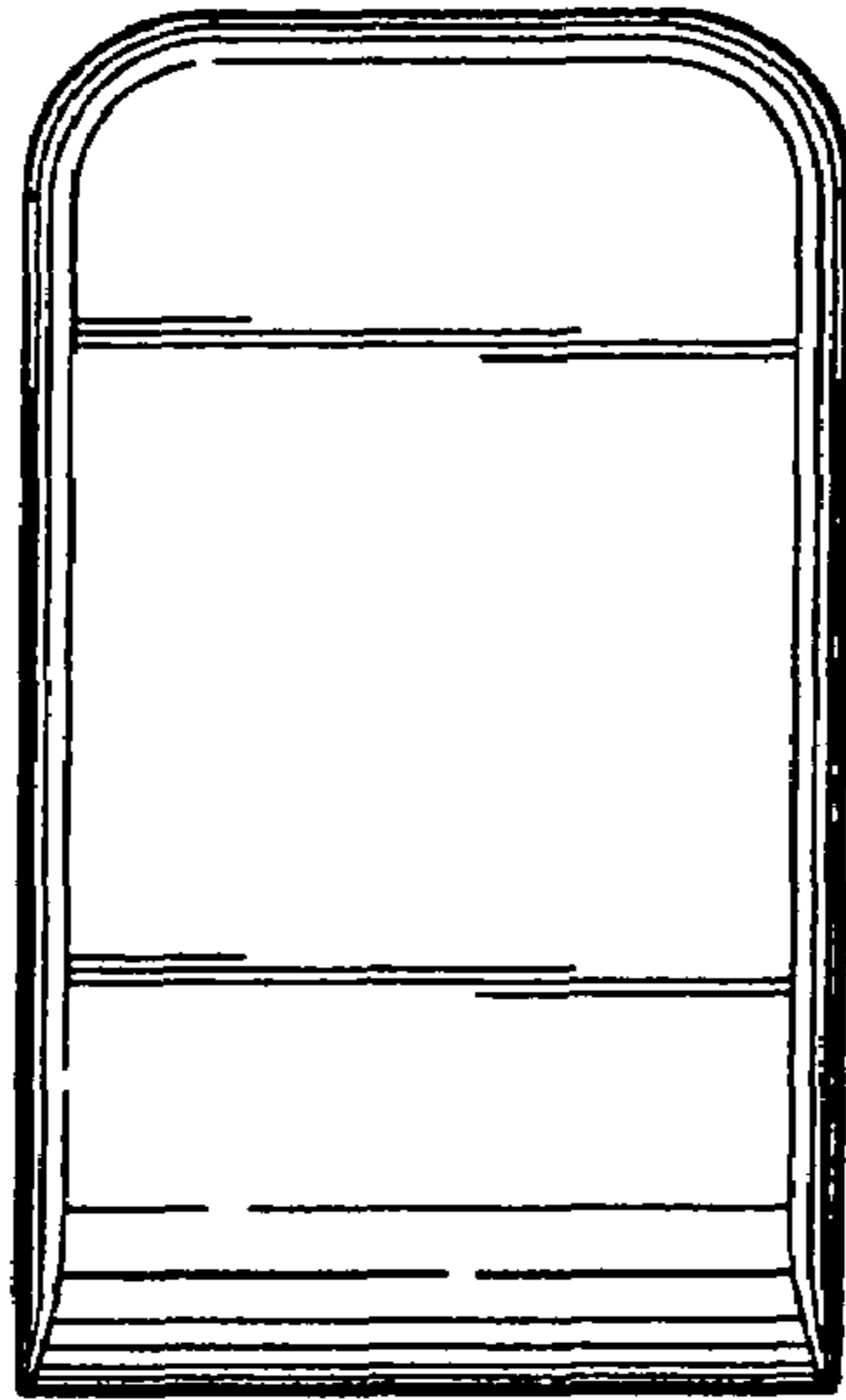


FIG. 6