



US00D576707S

(12) **United States Design Patent**
Schönherr et al.

(10) **Patent No.:** **US D576,707 S**

(45) **Date of Patent:** **** Sep. 9, 2008**

(54) **FAUCET**

(75) Inventors: **Tom Schönherr**, Stuttgart (DE); **Fabian Kollmann**, Stuttgart (DE)

(73) Assignee: **Hansgrohe AG** (DE)

(**) Term: **14 Years**

(21) Appl. No.: **29/282,521**

(22) Filed: **Jul. 23, 2007**

(30) **Foreign Application Priority Data**

Jan. 26, 2007 (EM) 000659750

(51) **LOC (8) Cl.** **23-01**

(52) **U.S. Cl.** **D23/238**

(58) **Field of Classification Search** D23/200,
D23/238–257; D6/512, 546, 550; D8/300,
D8/307–308, 310–312, 321; 4/675–678;
137/801; 16/110.1, 441

See application file for complete search history.

(56) **References Cited**

U.S. PATENT DOCUMENTS

D250,272 S * 11/1978 Jones D23/241
D312,300 S * 11/1990 Joerger D23/241
D314,812 S * 2/1991 Jans D23/241
D351,218 S * 10/1994 Sieger D23/241
D375,345 S * 11/1996 Warshawsky D23/241
D457,224 S * 5/2002 Gottwald D23/243

D463,848 S * 10/2002 Haug et al. D23/241
D469,157 S * 1/2003 Lobermeier D23/238
D510,611 S * 10/2005 Jorgensen et al. D23/238
D511,199 S * 11/2005 Ouyoung D23/238
D520,119 S * 5/2006 Kulig D23/242
D527,076 S * 8/2006 Kolin et al. D23/241
D561,875 S * 2/2008 Haug et al. D23/241

* cited by examiner

Primary Examiner—Louis Zarfaz

Assistant Examiner—Mark Cavanna

(74) *Attorney, Agent, or Firm*—Leon E. Redman; Lloyd D. Doigan

(57) **CLAIM**

The ornamental design for a faucet, as shown and described.

DESCRIPTION

FIG. 1 is a front perspective view of a faucet showing our design;

FIG. 2 is a front elevational view thereof;

FIG. 3 is a rear elevational view thereof;

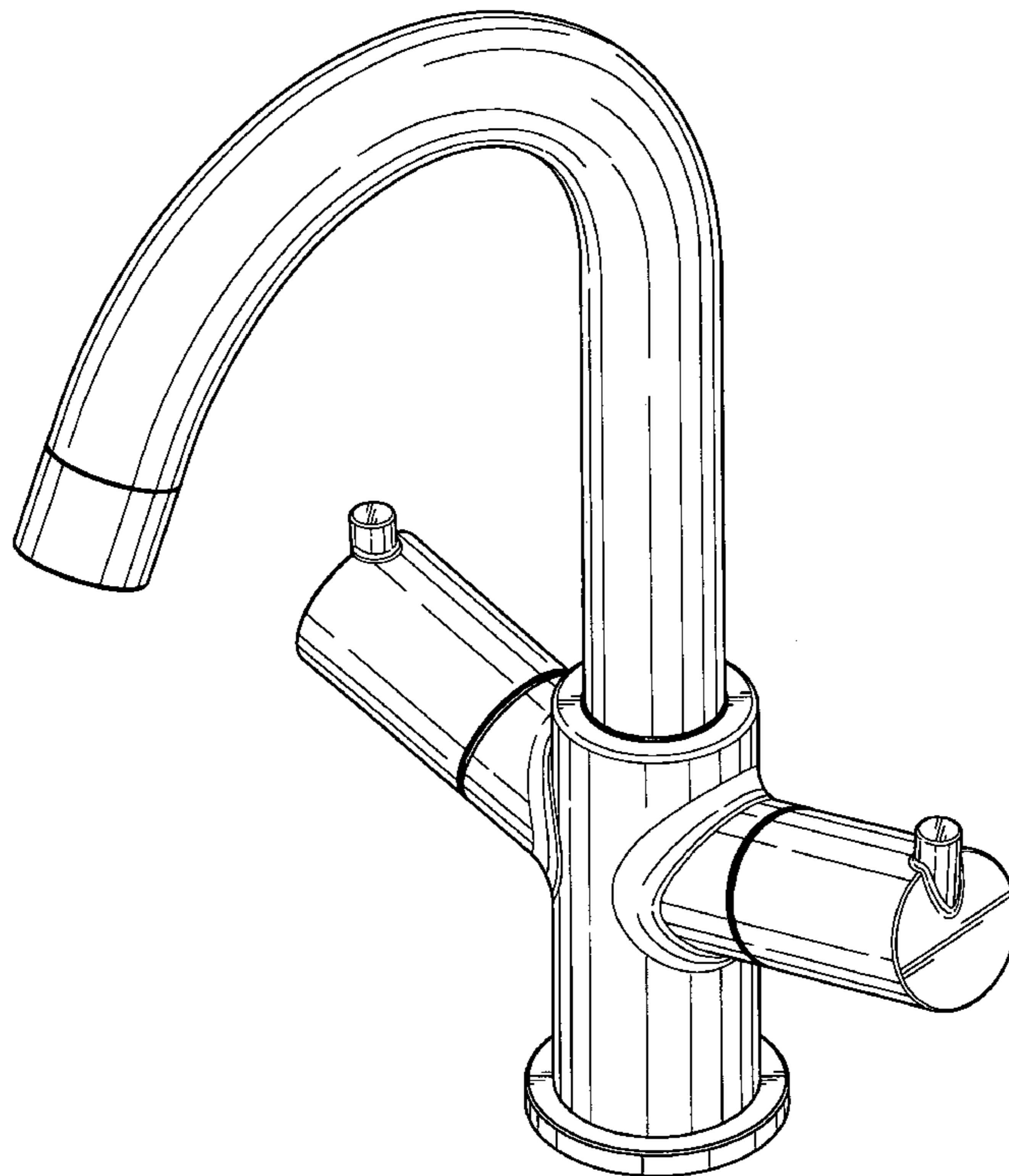
FIG. 4 is a left side elevational view thereof; the right side elevational view being a mirror image thereof;

FIG. 5 is a top plan view thereof; and,

FIG. 6 is a bottom plan view thereof.

The broken lines in the Figures are for illustrative purposes only and form no part of the claimed design.

1 Claim, 6 Drawing Sheets



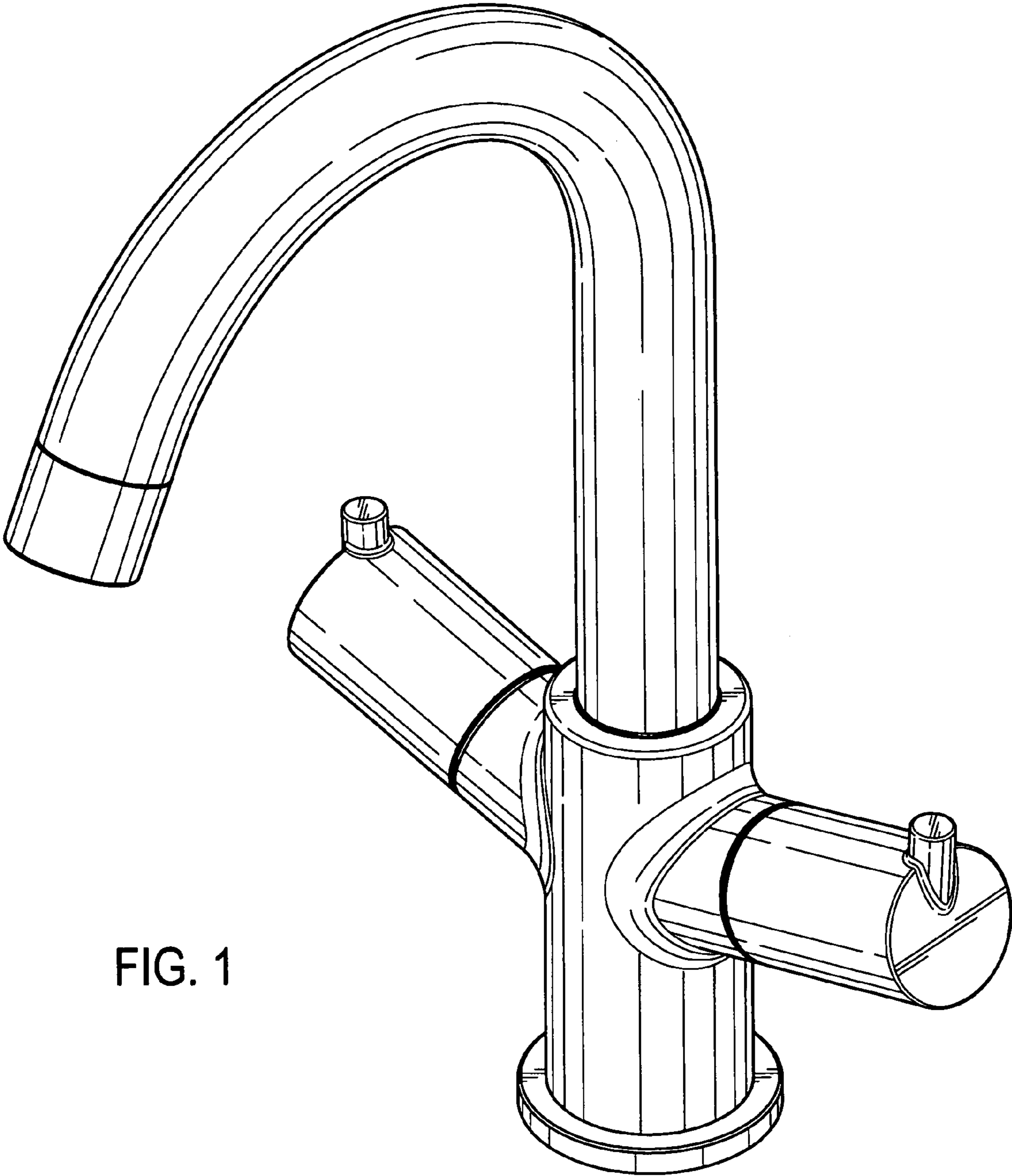


FIG. 1

FIG. 2

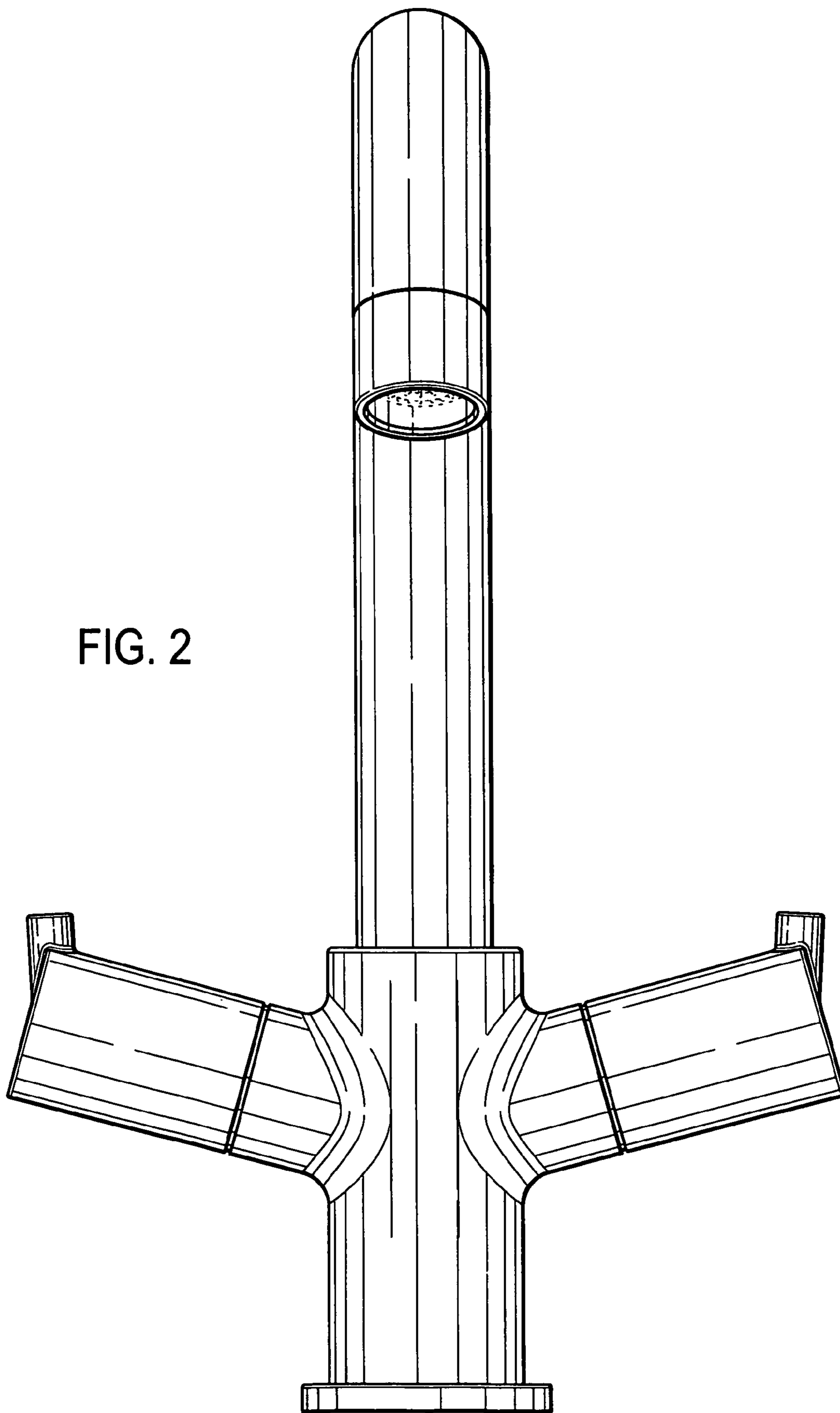
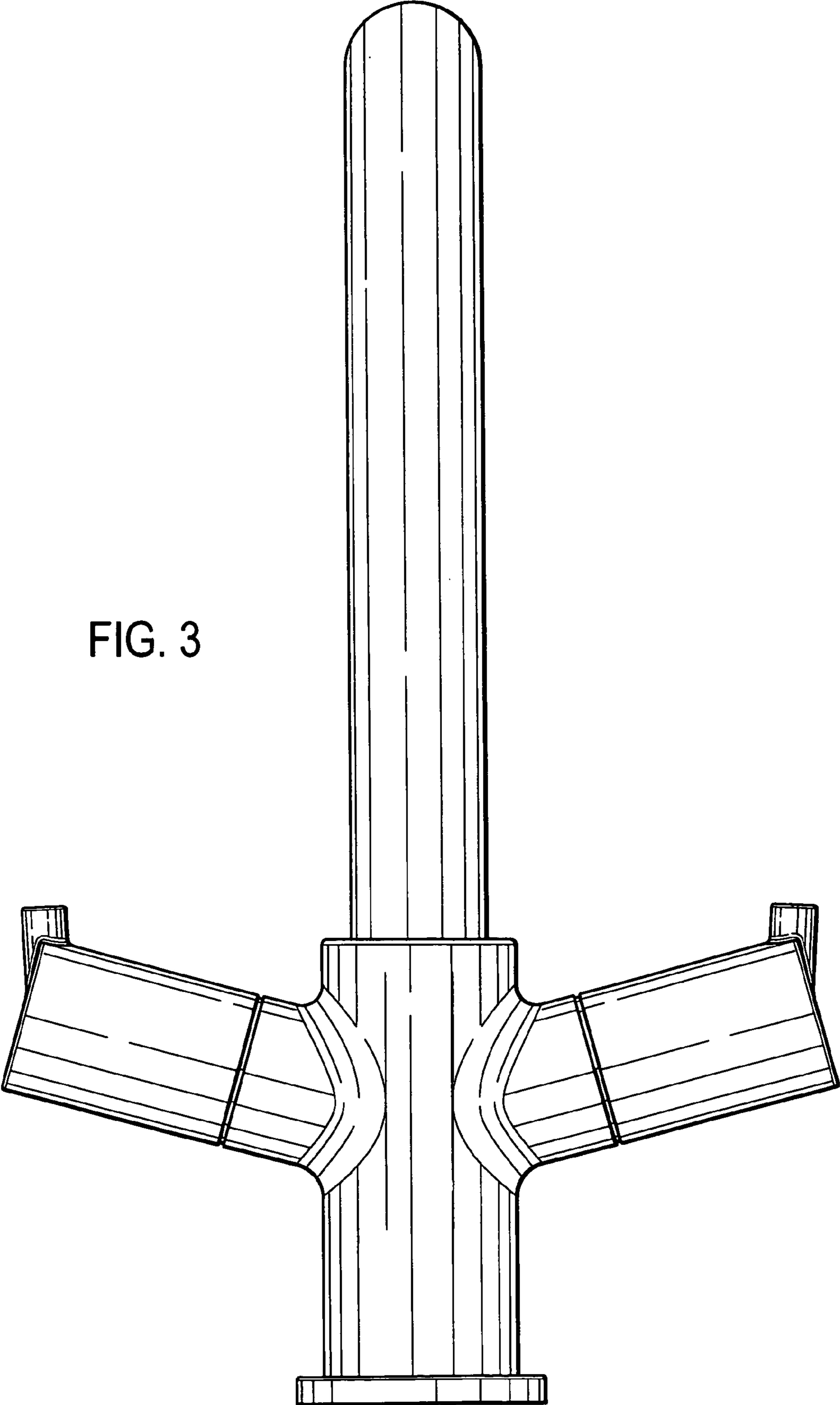


FIG. 3



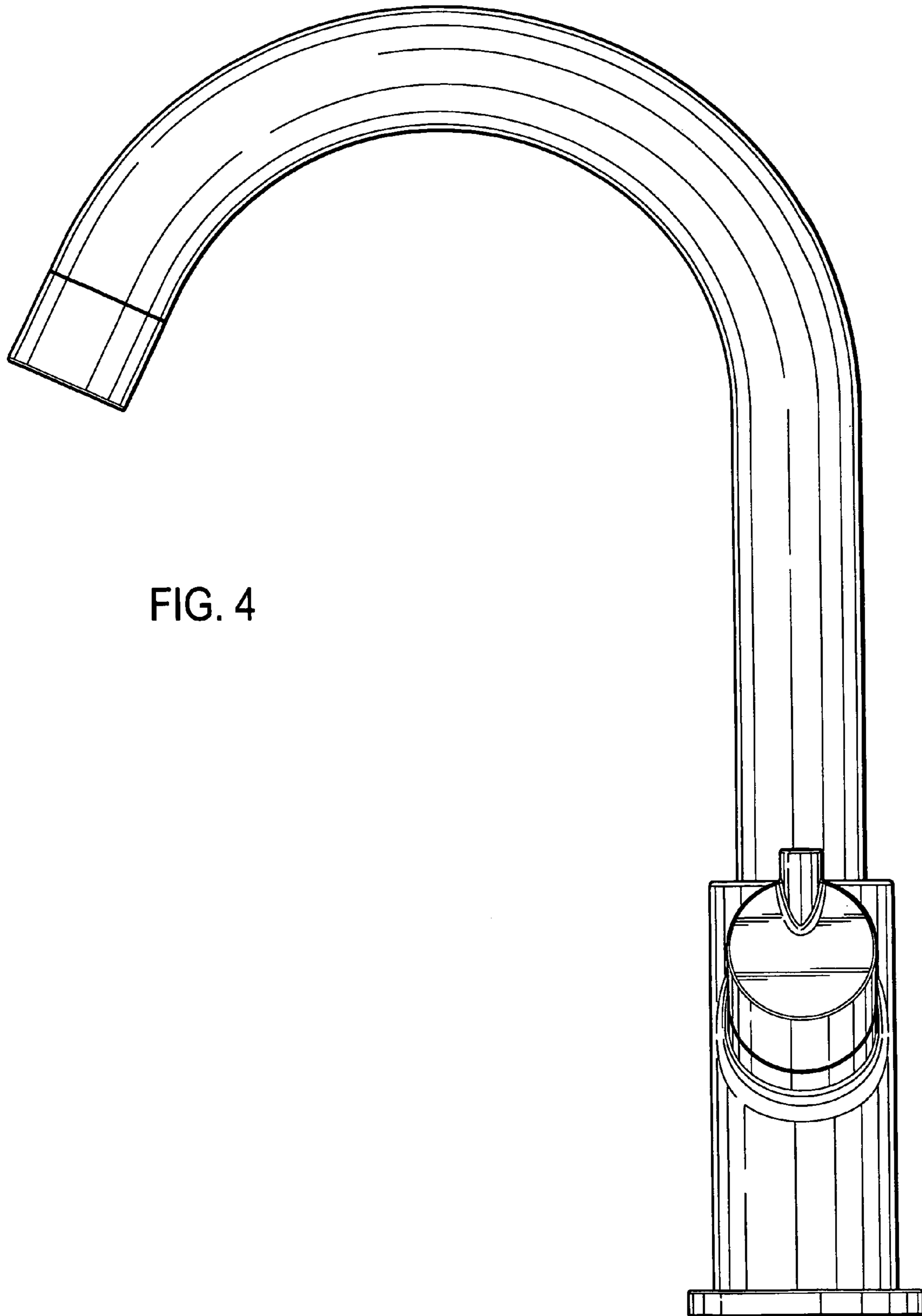


FIG. 4

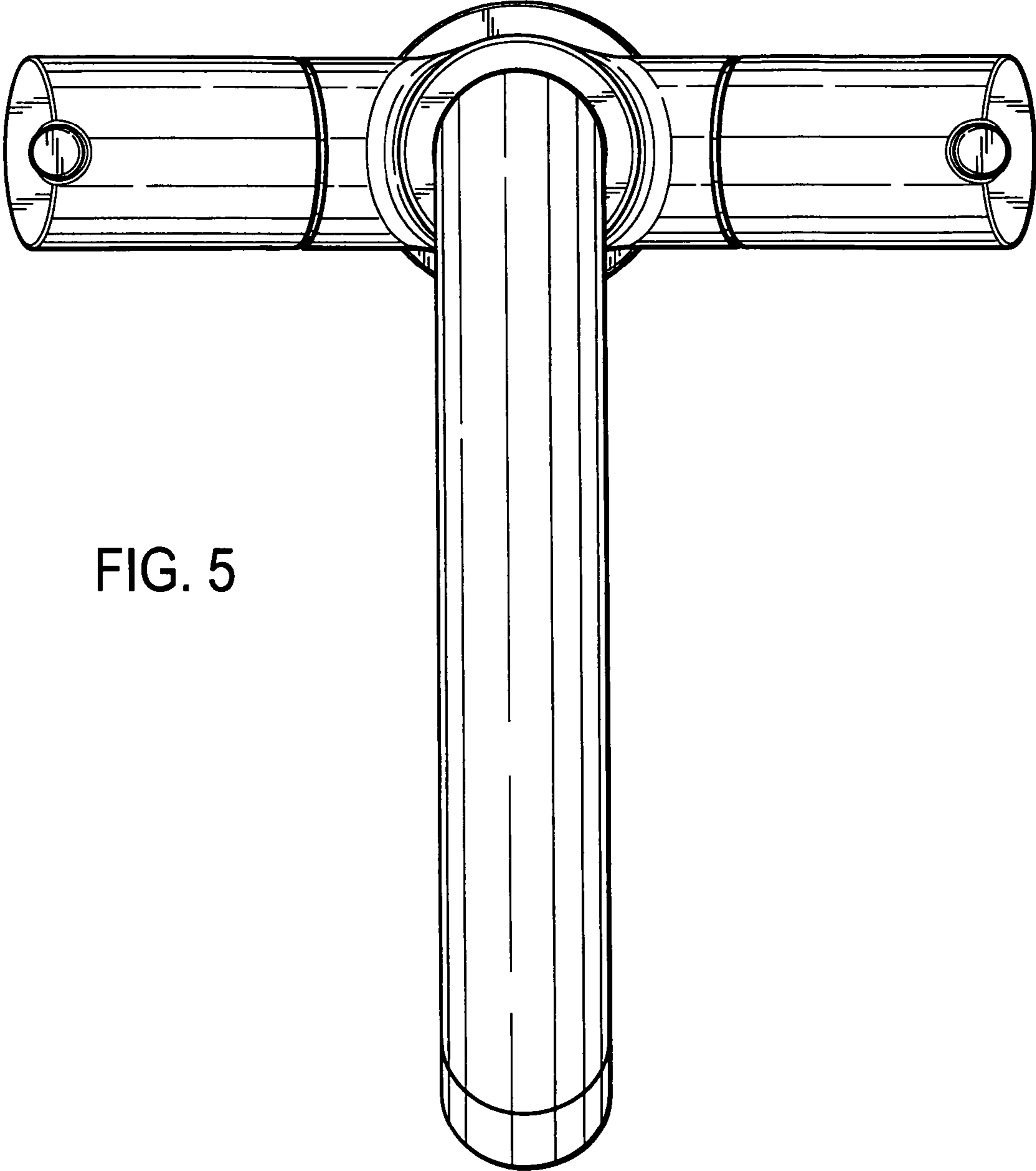


FIG. 5

FIG. 6

