



US00D576705S

(12) **United States Design Patent**
McKeone

(10) **Patent No.:** **US D576,705 S**

(45) **Date of Patent:** **** Sep. 9, 2008**

(54) **PLUMBING FITTING**

(75) Inventor: **William C. McKeone**, Sheboygan, WI (US)

(73) Assignee: **Kohler Co.**, Kohler, WI (US)

(**) Term: **14 Years**

(21) Appl. No.: **29/279,839**

(22) Filed: **May 8, 2007**

(51) **LOC (8) Cl.** **23-01**

(52) **U.S. Cl.** **D23/238**

(58) **Field of Classification Search** D23/200,
D23/238-257; D6/512, 546, 550; D8/300,
D8/307-308, 310-312, 321; 4/675-678;
137/599.01, 615, 801; 16/110.1, 441
See application file for complete search history.

(56) **References Cited**

U.S. PATENT DOCUMENTS

1,510,761	A *	10/1924	Burman	137/615
1,838,290	A *	12/1931	Steckel	137/599.01
D312,118	S *	11/1990	Son	D23/238
D464,711	S *	10/2002	Warshawsky	D23/255
D492,393	S	6/2004	Herring et al.		
D497,197	S *	10/2004	Warshawsky	D23/241
D534,992	S *	1/2007	Lobermeier et al.	D23/238
D535,356	S *	1/2007	Kuran et al.	D23/243
D540,435	S *	4/2007	Wilcox et al.	D23/243
D551,324	S *	9/2007	Wilcox et al.	D23/243
D560,762	S *	1/2008	Eckhaus et al.	D23/239
D562,947	S *	2/2008	Zhang	D23/243

OTHER PUBLICATIONS

Kohler Co. Wall Mounted Pot Filler. Model No. K-7322-4.

Kohler Co. "Stillness Widespread Lavatory Faucet". Model No. K-942-4. Kohler Co. online catalog. Copyright 2007 Kohler Co.
Blanco, "Wall-Mounted Pot Filler". Model No. 157-065-CR—chrome or 157-065-ST—stainles steel. PlumbingSupply.com online catalog. Copyright since 1995 PlumbingSupply.com.

* cited by examiner

Primary Examiner—Robert A. Delehanty

Assistant Examiner—Mark Cavanna

(74) *Attorney, Agent, or Firm*—Quarles & Brady LLP

(57) **CLAIM**

The ornamental design for a plumbing fitting, as shown and described.

DESCRIPTION

In a preferred embodiment, the nature of this product is a plumbing fitting in the form of a body for a faucet such as a pot filler used to spray water into tall cookware.

FIG. 1 is a left, top, front perspective view of a plumbing fitting according to our new design;

FIG. 2 is a left side elevational view thereof, the right side elevational view thereof is a mirror image of the left side shown;

FIG. 3 is a front elevational view thereof;

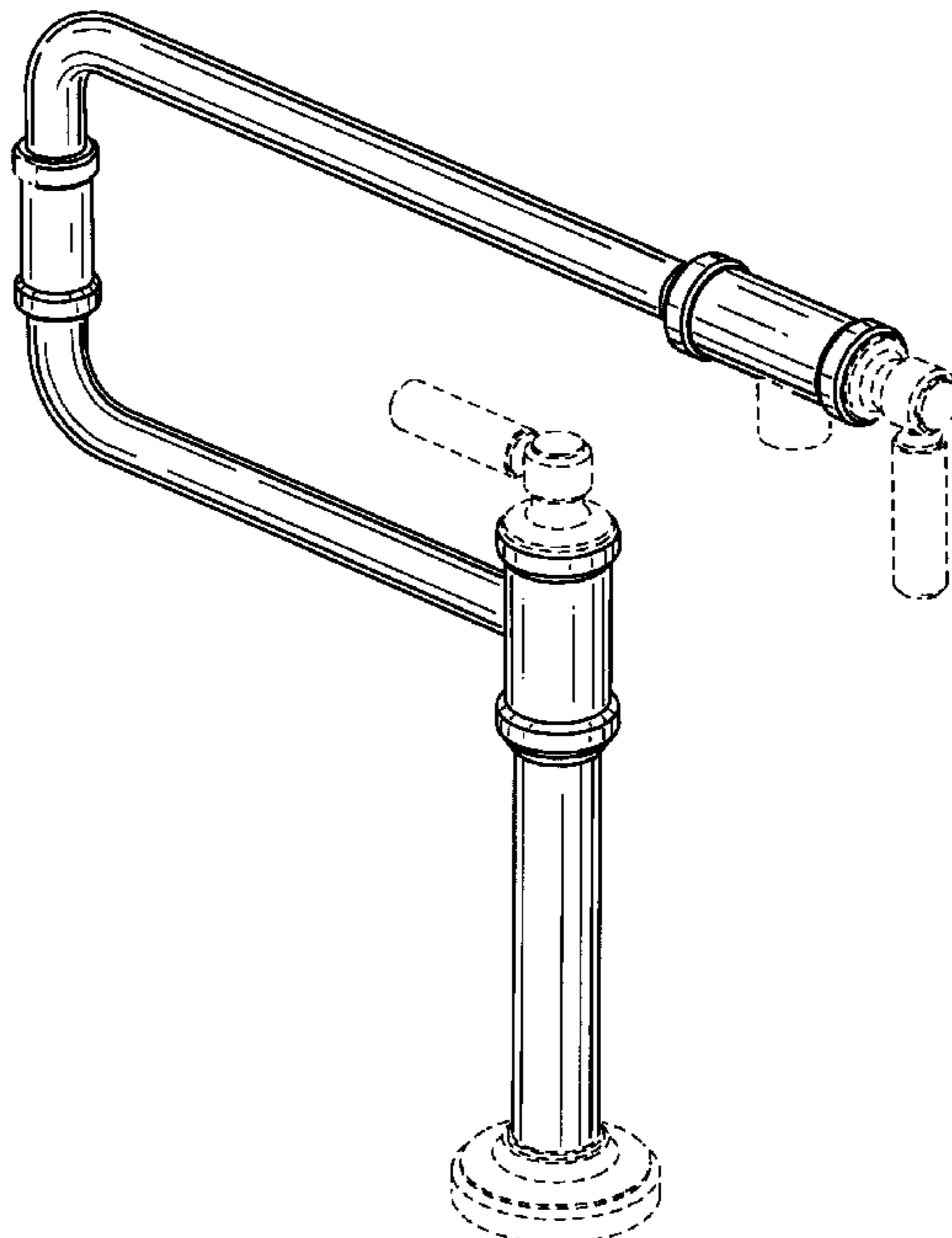
FIG. 4 is a rear elevational view thereof;

FIG. 5 is a top plan view thereof; and,

FIG. 6 is a bottom plan view thereof.

The broken line representations in the figures, including broken line representations of handle and escutcheon environment, are for the purpose of illustration only, and form no part of the claimed design.

1 Claim, 4 Drawing Sheets



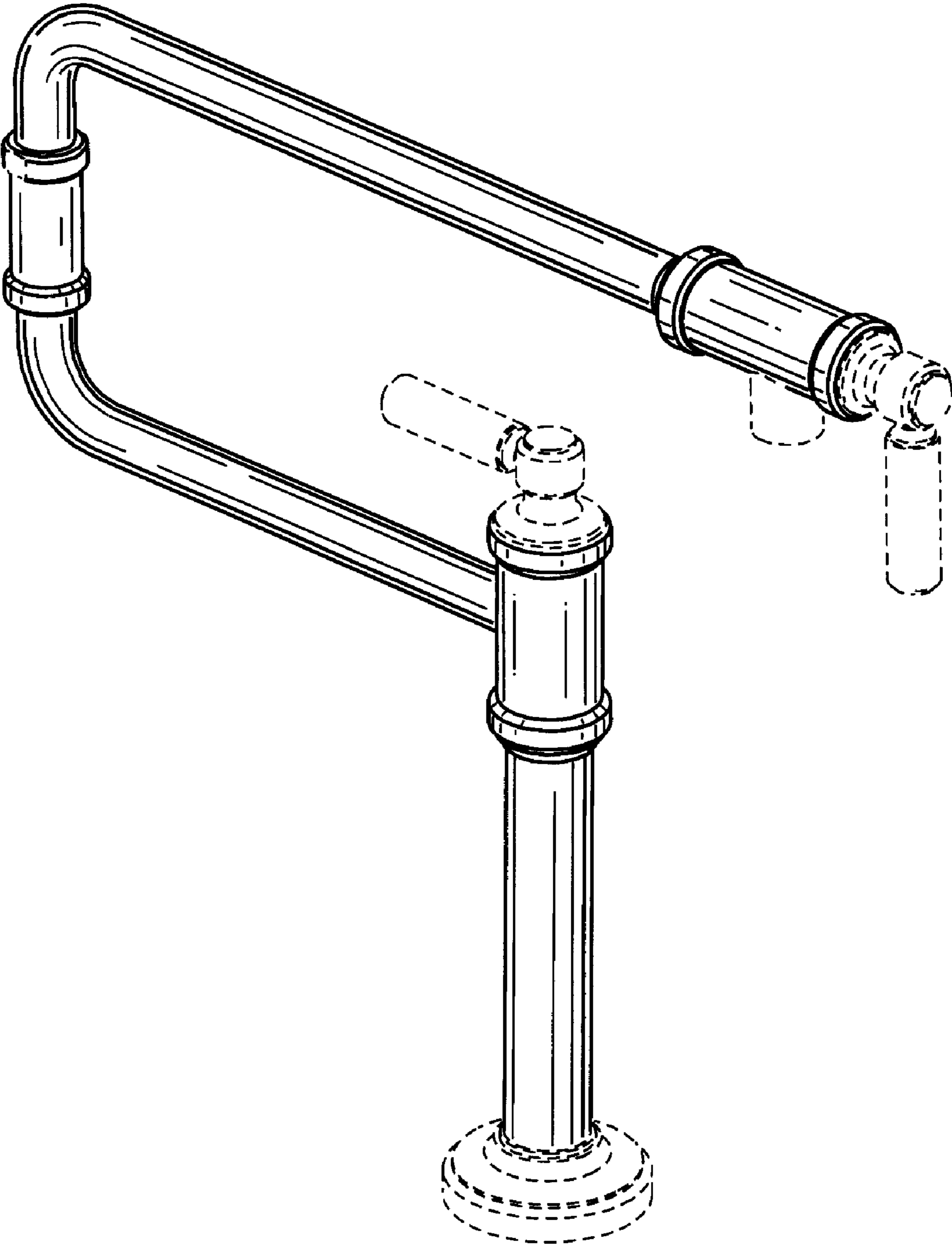


FIG. 1

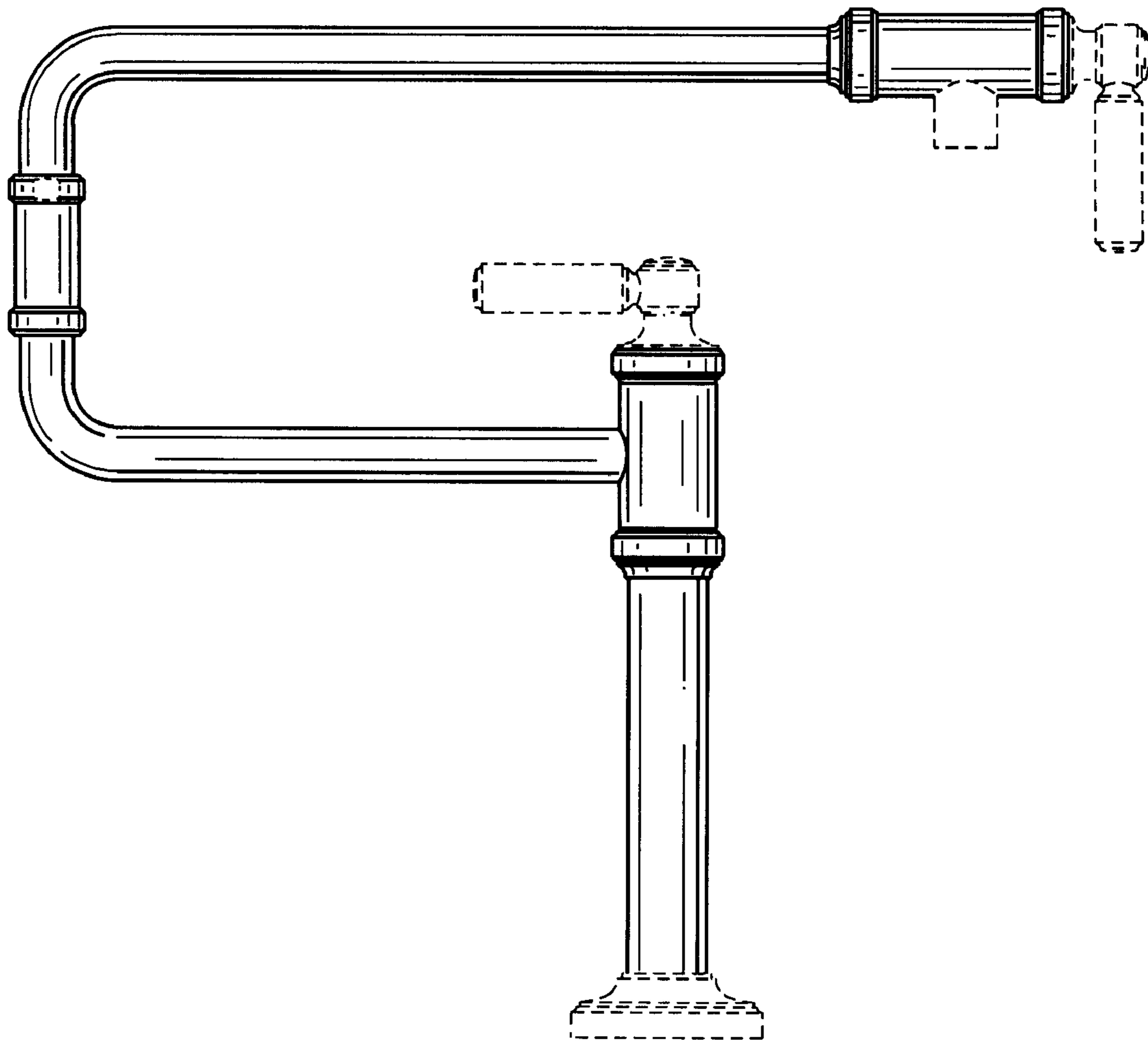


FIG. 2

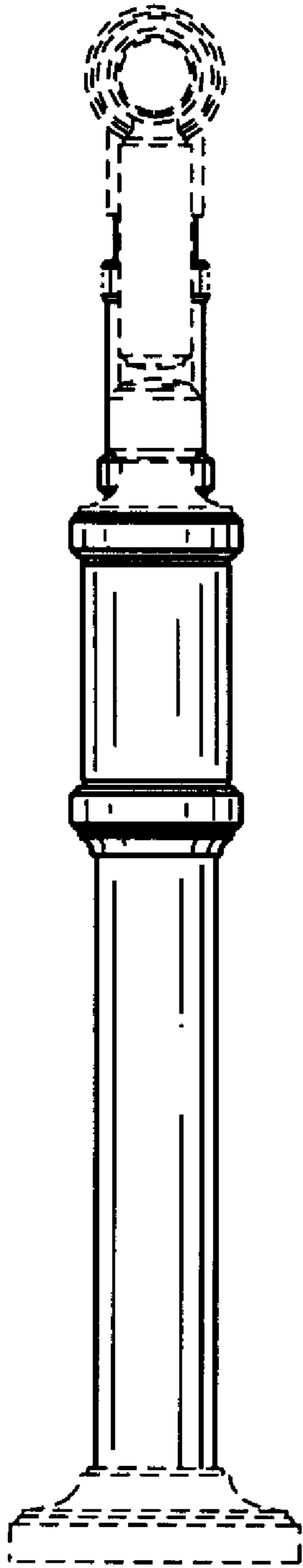


FIG. 3

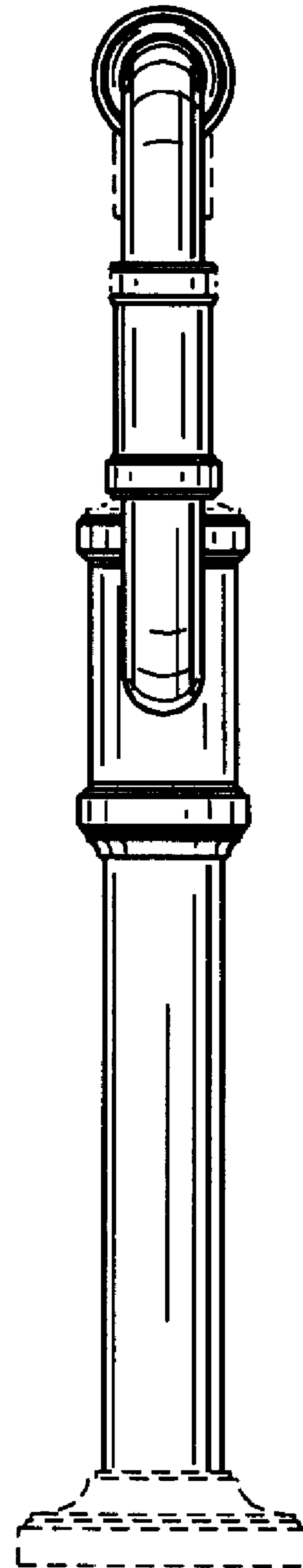


FIG. 4

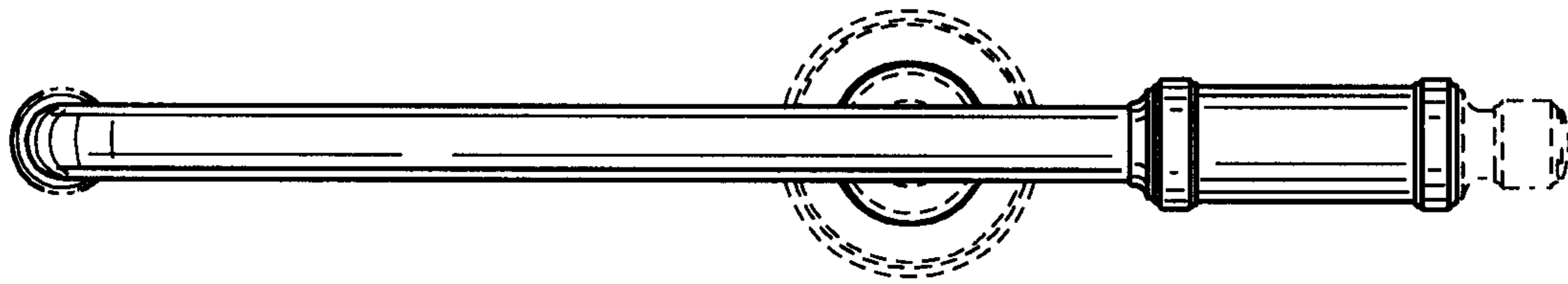


FIG. 5

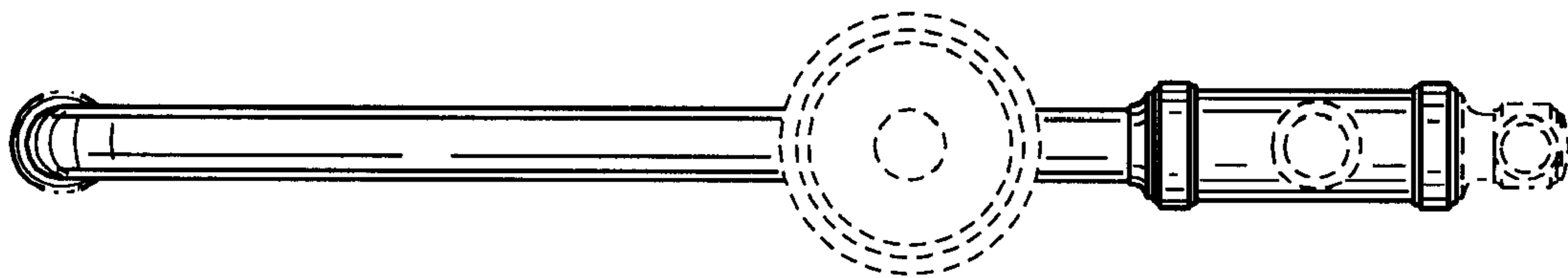


FIG. 6