



US00D576704S

(12) **United States Design Patent**  
**Gilcher**

(10) **Patent No.:** **US D576,704 S**

(45) **Date of Patent:** **\*\* Sep. 9, 2008**

(54) **SANITARY CHECK VALVE**

(75) **Inventor:** **Manfred Gilcher**, Neuenburg (DE)

(73) **Assignee:** **Neoperl GmbH**, Mullheim (DE)

(\*\*) **Term:** **14 Years**

(21) **Appl. No.:** **29/249,693**

(22) **Filed:** **Oct. 18, 2006**

(30) **Foreign Application Priority Data**

Jun. 12, 2006 (EM) ..... 000543590

(51) **LOC (8) Cl.** ..... **23-01**

(52) **U.S. Cl.** ..... **D23/233**

(58) **Field of Classification Search** ..... D23/233–237,  
D23/244–249; 137/515.7, 859, 843  
See application file for complete search history.

(56) **References Cited**

**U.S. PATENT DOCUMENTS**

3,157,191 A \* 11/1964 Garrett et al. .... 137/332  
D260,280 S \* 8/1981 Campbell ..... D23/237  
D278,739 S \* 5/1985 Galloway ..... D23/233

D321,928 S \* 11/1991 Milo ..... D23/245  
D364,210 S \* 11/1995 Loerop et al. .... D23/237  
D368,299 S \* 3/1996 Ratledge ..... D23/235  
D370,963 S \* 6/1996 Daansen ..... D23/235  
D536,443 S \* 2/2007 Latsos ..... D24/110.6  
7,287,545 B2 \* 10/2007 Zelson ..... 137/515.7

\* cited by examiner

*Primary Examiner*—Ian Simmons

*Assistant Examiner*—Maurice Stevens

(74) *Attorney, Agent, or Firm*—Volpe and Koenig, P.C.

(57) **CLAIM**

The ornamental design for a sanitary check valve, as shown and described.

**DESCRIPTION**

FIG. 1 is a bottom front perspective view of a sanitary check valve, showing my new design;

FIG. 2 is a top front perspective view thereof;

FIG. 3 is a top plan view thereof;

FIG. 4 is an elevational view thereof; and,

FIG. 5 is a bottom view thereof.

**1 Claim, 2 Drawing Sheets**

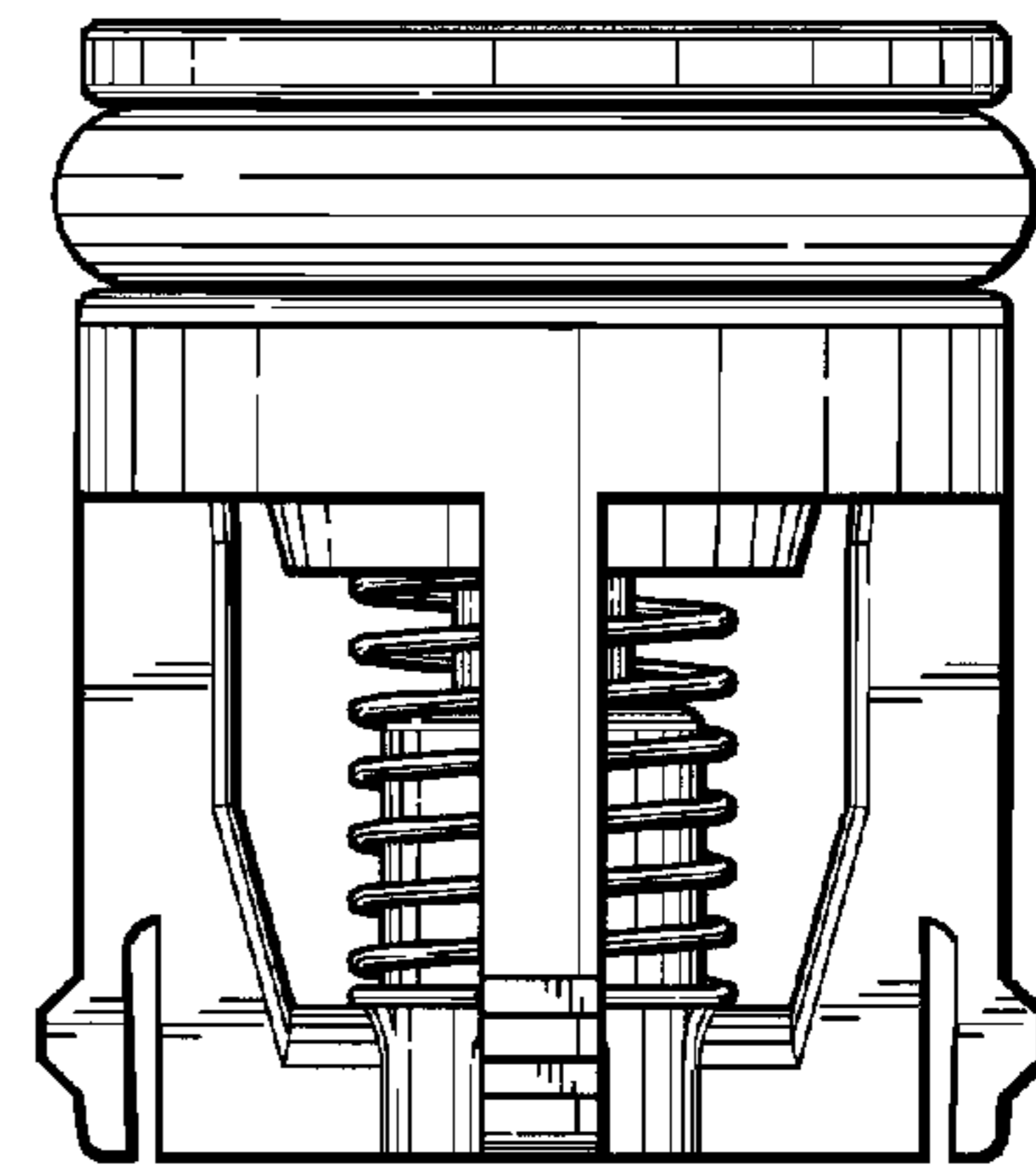
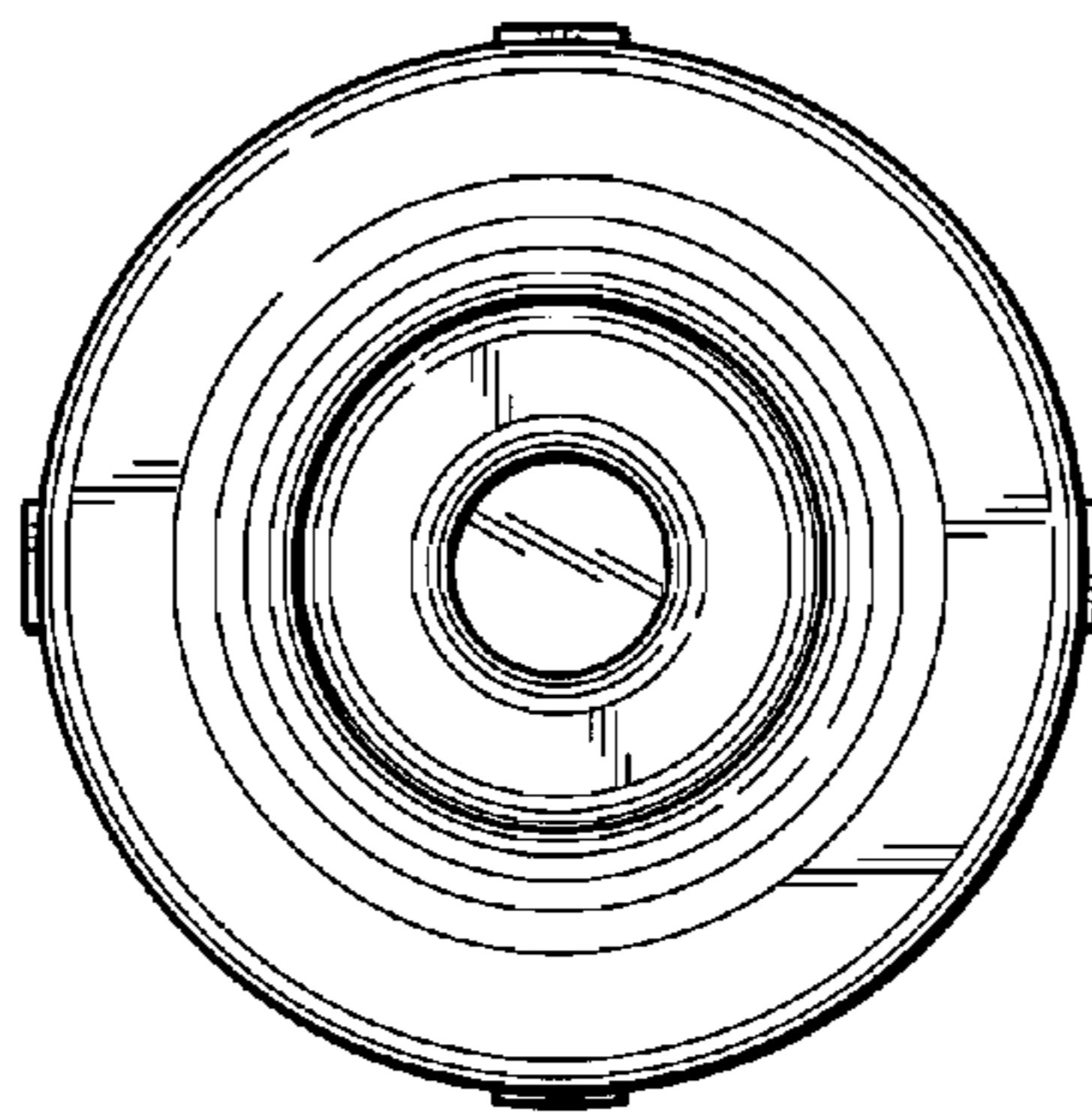
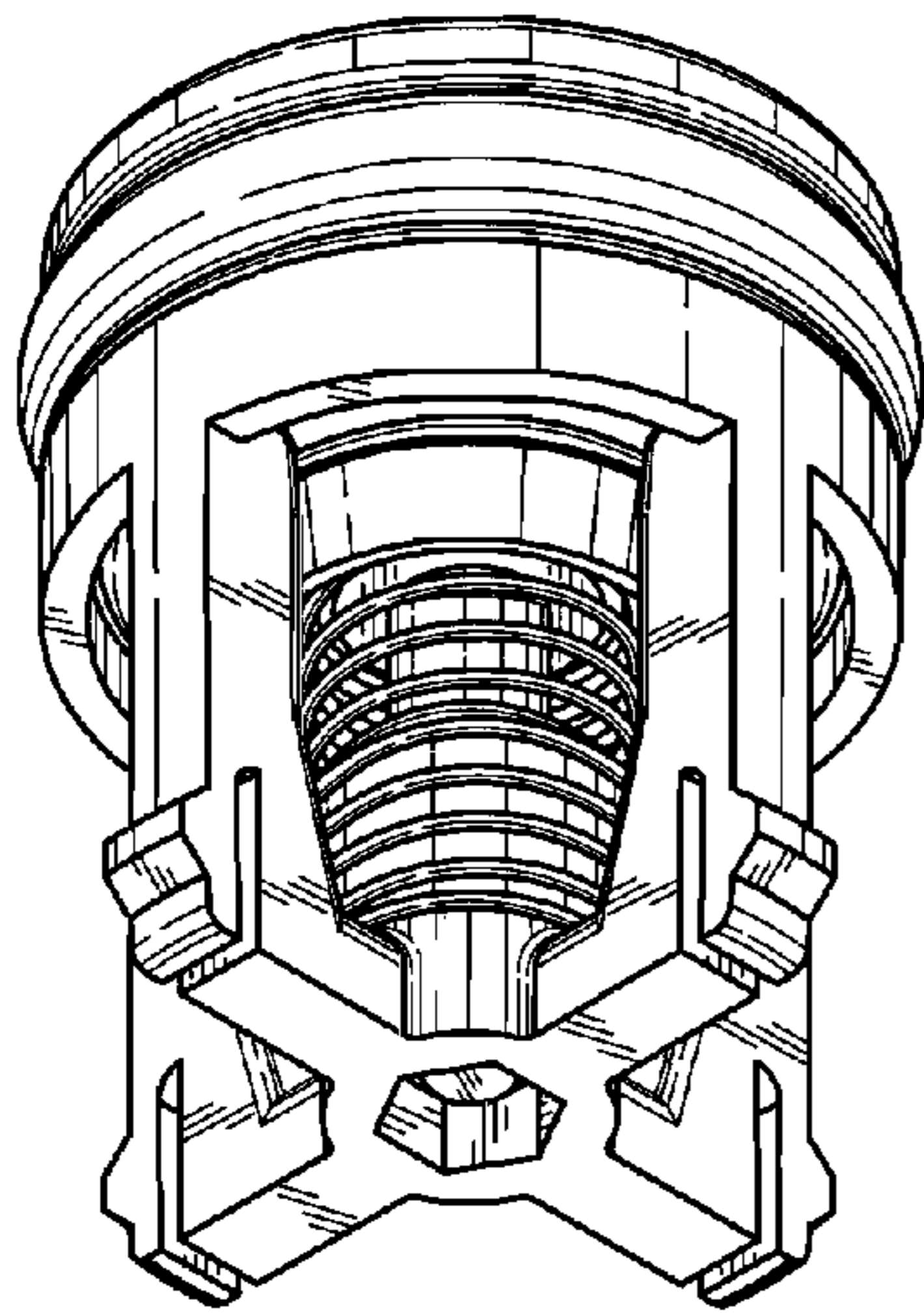


FIG. 1

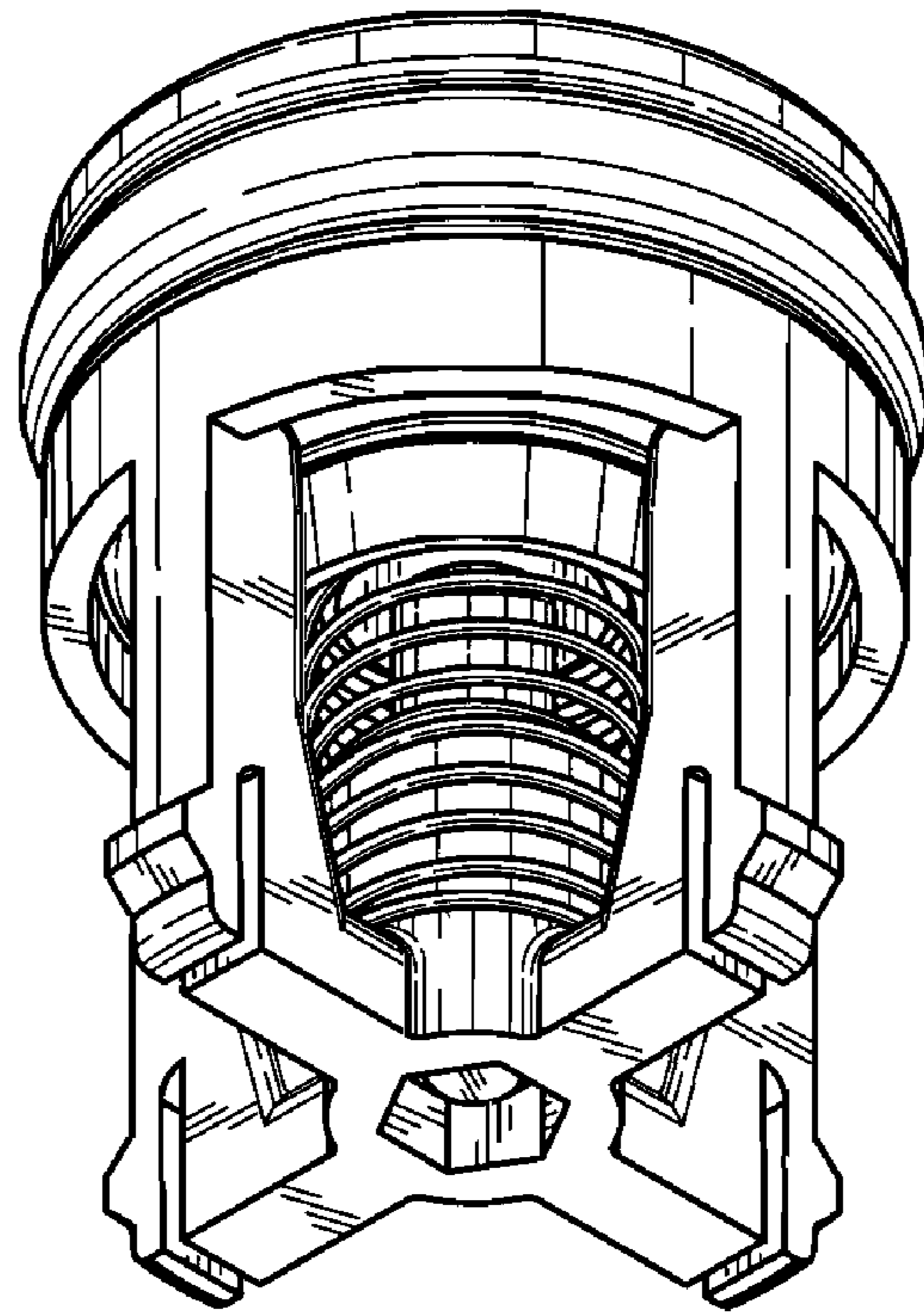


FIG. 2

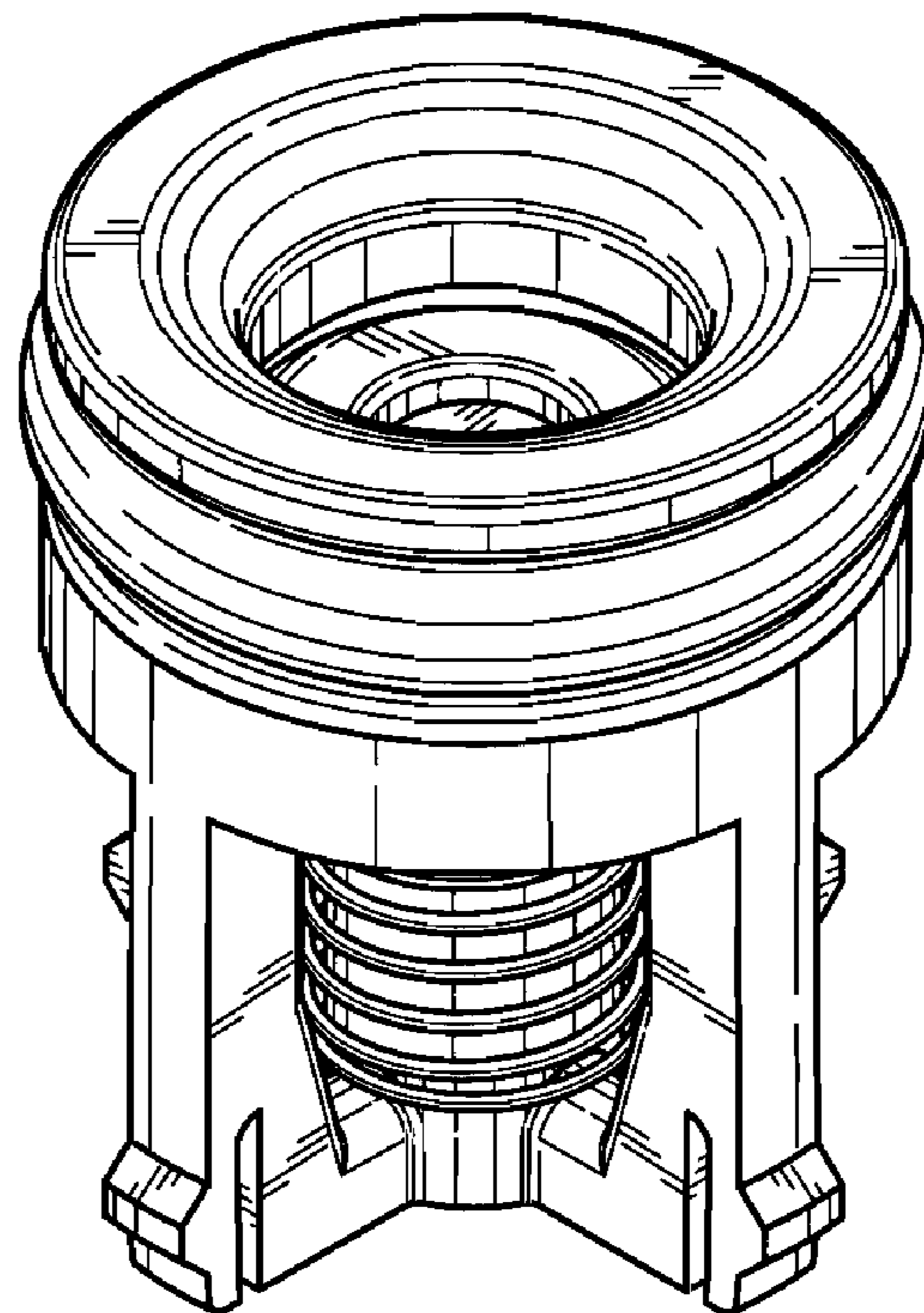


FIG. 3

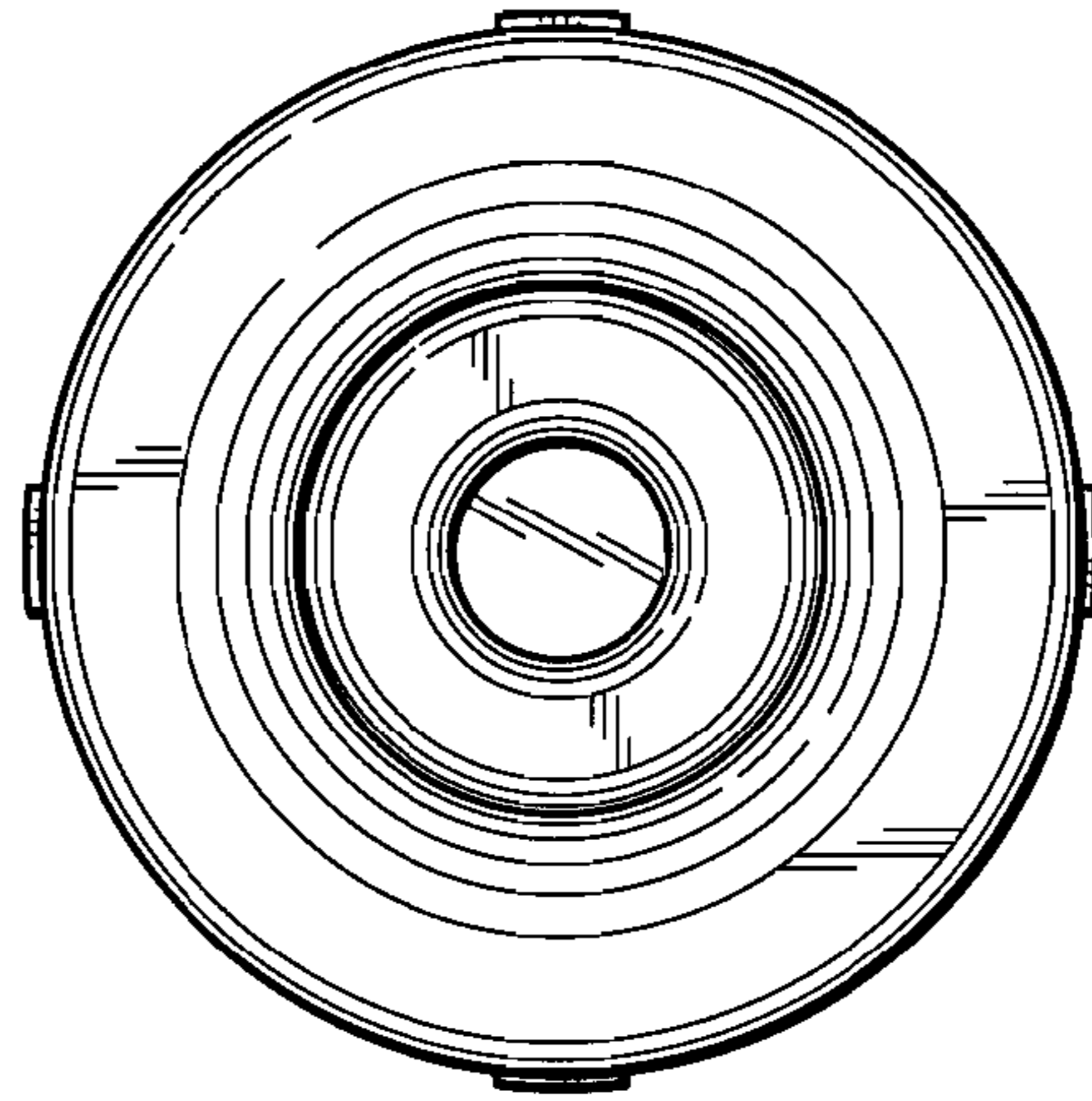


FIG. 4

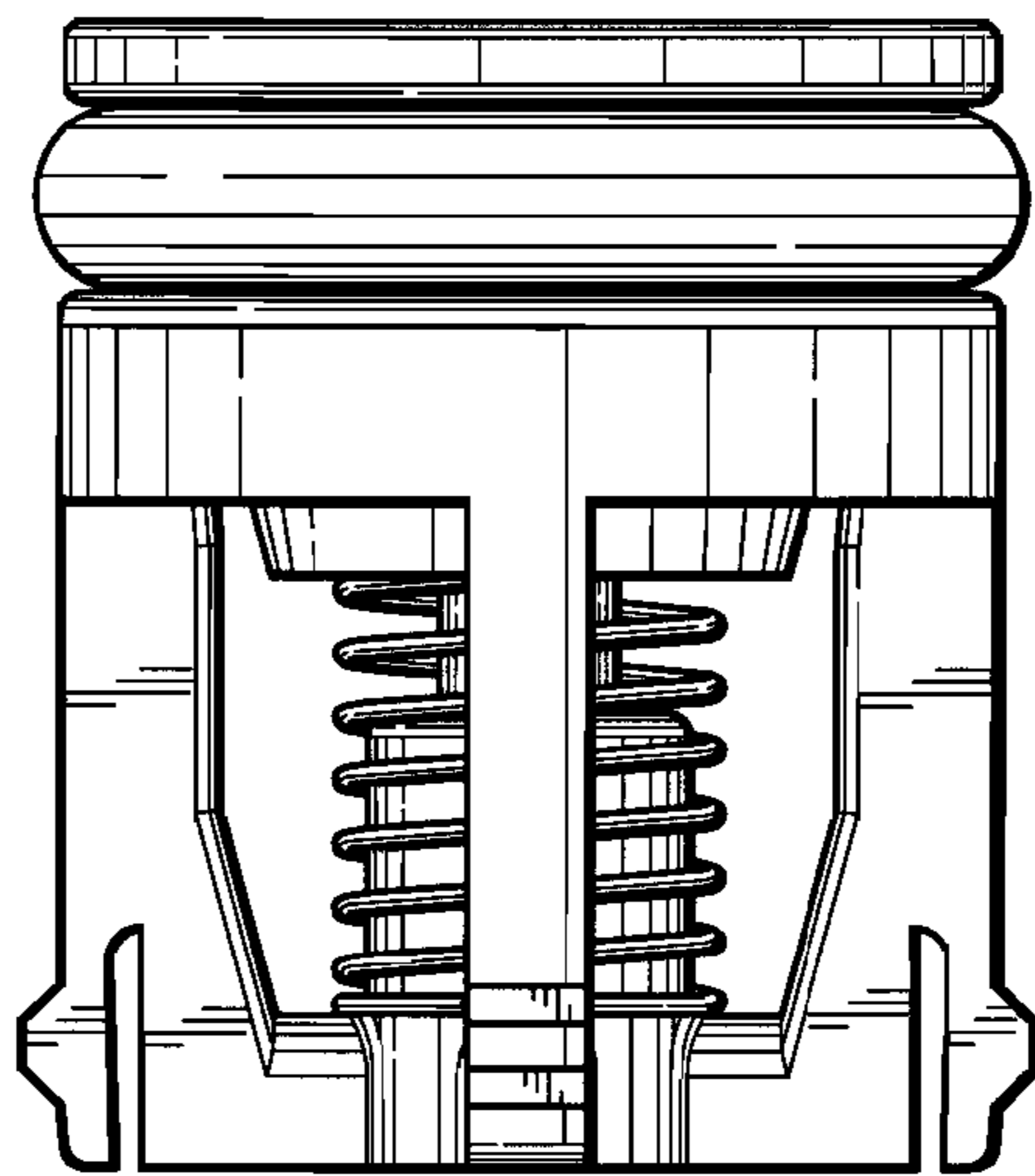


FIG. 5

