



US00D576703S

(12) **United States Design Patent**  
**Nathan et al.**

(10) **Patent No.:** **US D576,703 S**  
(45) **Date of Patent:** **\*\* Sep. 9, 2008**

(54) **CONSUMER PAINT SPRAYER WITH OVERHEAD HOPPER**

D427,283 S \* 6/2000 Bower et al. .... D23/225  
D429,314 S \* 8/2000 Bower et al. .... D23/225

(75) Inventors: **Philip Nathan**, West Hartford, CT (US);  
**Ricardo Felix Perez**, West Hartford, CT (US);  
**Ross Rossner**, St. Michael, MN (US)

\* cited by examiner

*Primary Examiner*—Robin V Webster  
(74) *Attorney, Agent, or Firm*—Faegre & Benson LLP

(73) Assignee: **Wagner Spray Tech Corporation**,  
Plymouth, MN (US)

(57) **CLAIM**

The ornamental design for a consumer paint sprayer with overhead hopper, as shown and described.

(\*\*) Term: **14 Years**

**DESCRIPTION**

(21) Appl. No.: **29/283,485**

FIG. 1 is a perspective view of a consumer paint sprayer with overhead hopper of the present invention.

(22) Filed: **Aug. 15, 2007**

FIG. 2 is a front elevation view of the paint sprayer of FIG. 1.

(51) **LOC (8) Cl.** ..... **23-01**

FIG. 3 is a rear elevation view of the paint sprayer of FIG. 1.

(52) **U.S. Cl.** ..... **D23/225; D32/15**

FIG. 4 is a left side elevation view of the paint sprayer of FIG. 1.

(58) **Field of Classification Search** ..... D23/213,  
D23/225; D32/15, 16; 141/231; 15/320,  
15/321, 340.1; 239/146, 147

1.

See application file for complete search history.

FIG. 5 is a right side elevation view of the paint sprayer of FIG. 1.

(56) **References Cited**

FIG. 6 is a top plan view of the paint sprayer of FIG. 1; and,

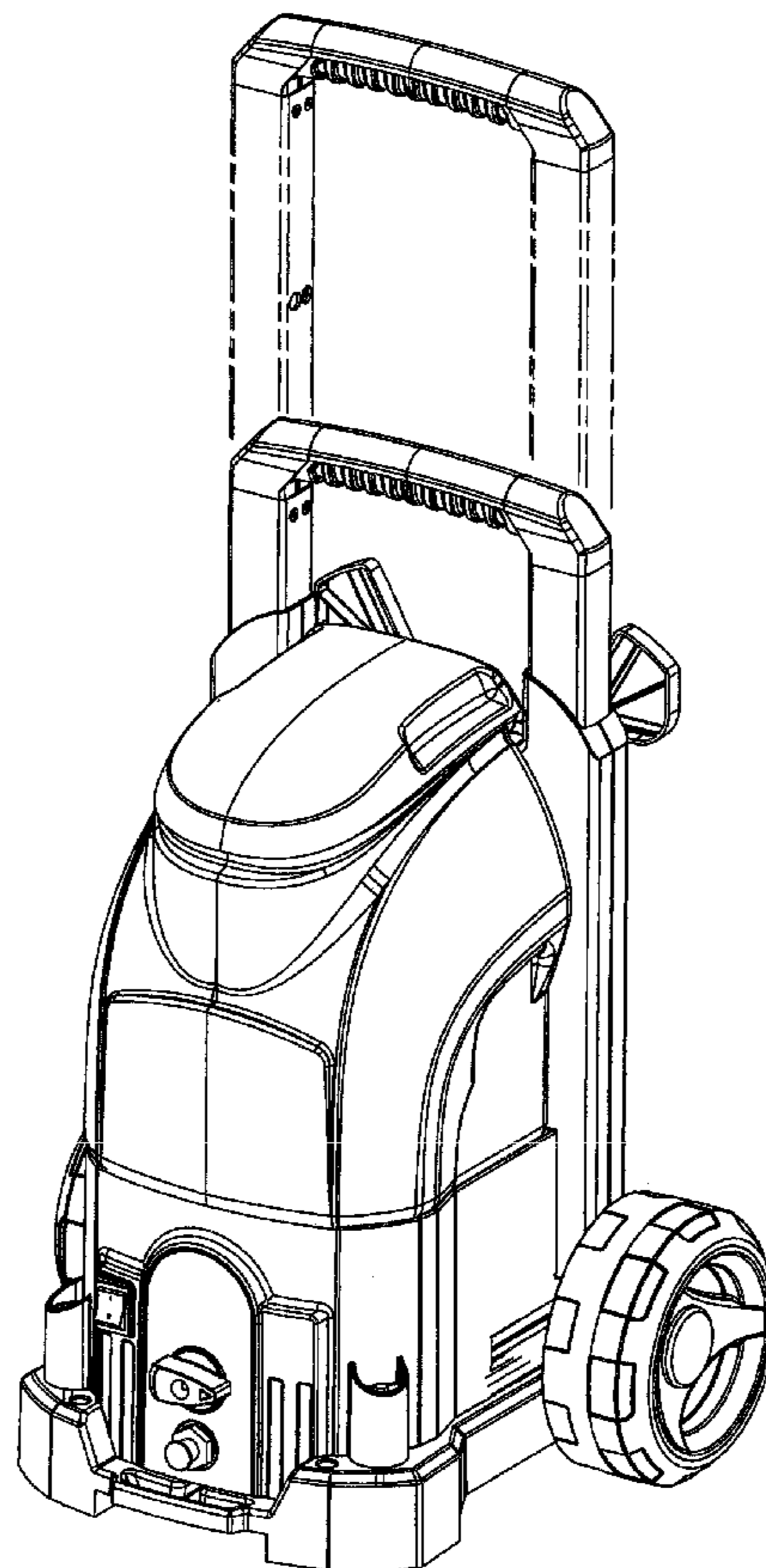
**U.S. PATENT DOCUMENTS**

FIG. 7 is a bottom plan view of the paint sprayer of FIG. 1.

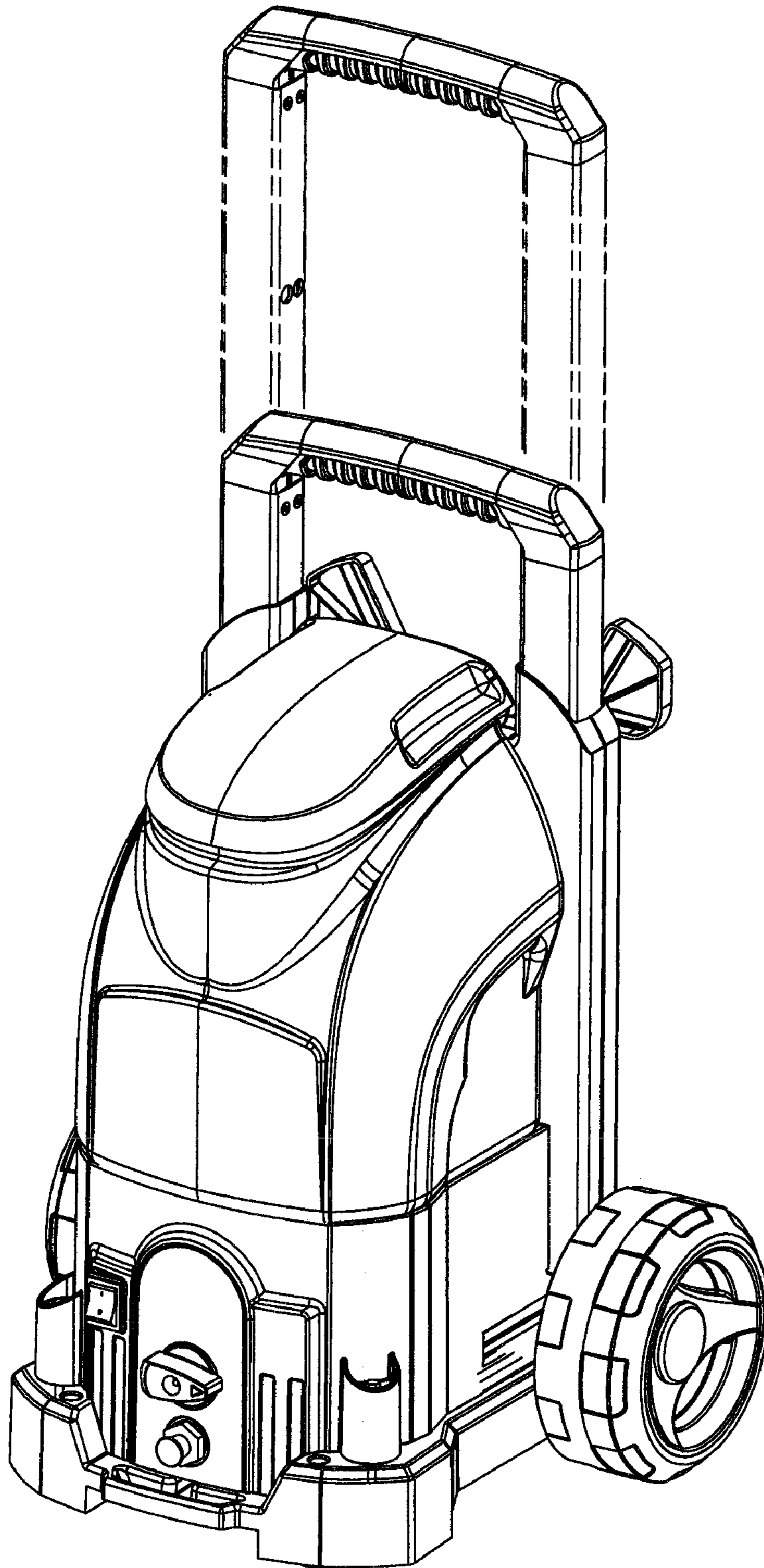
D235,996 S \* 7/1975 Schneider ..... D15/13  
D284,210 S \* 6/1986 Rattray et al. .... D23/225  
D420,473 S \* 2/2000 Shero ..... D32/16

The broken lines in FIG. 1 illustrate the appearance of the handle in an extended position.

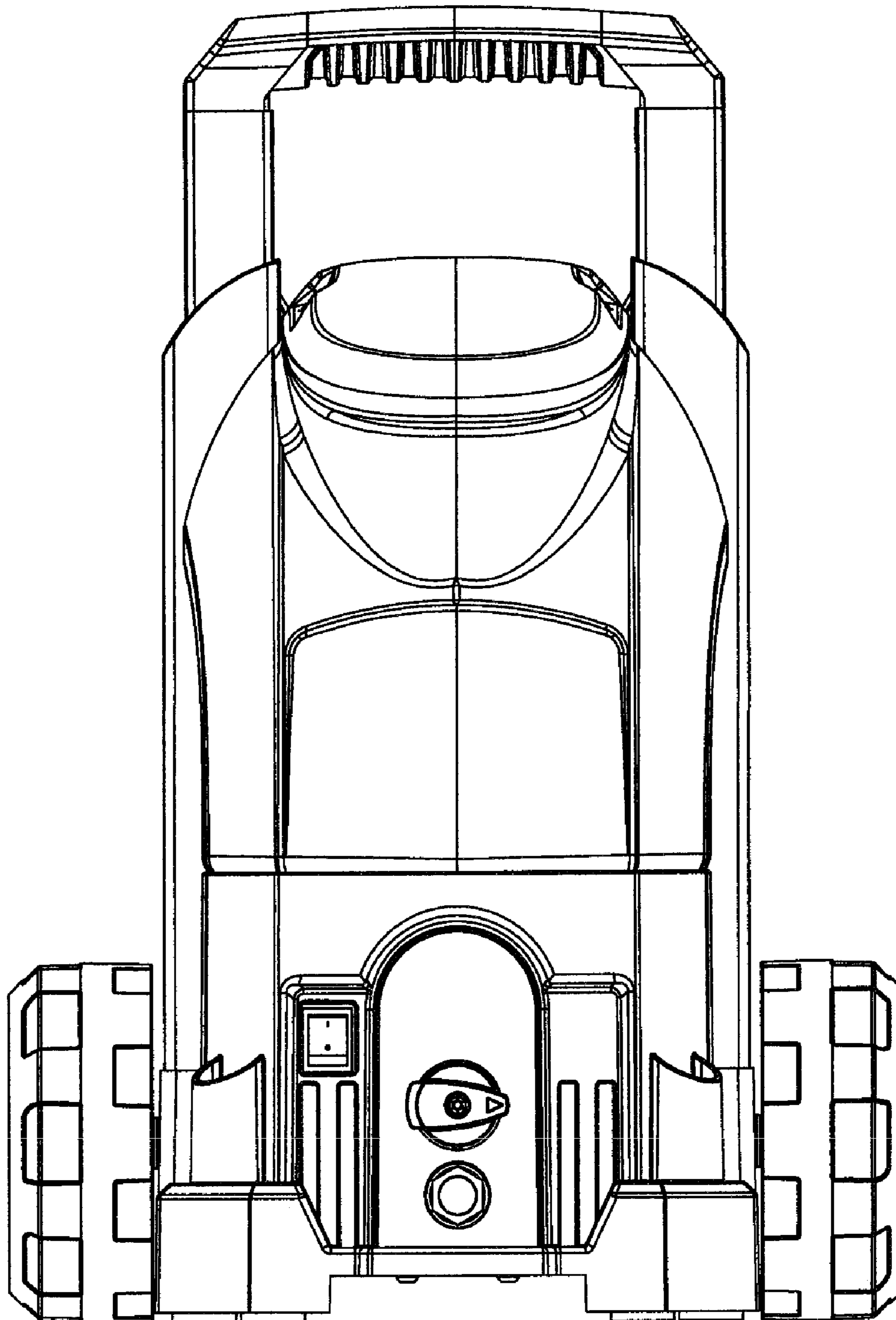
**1 Claim, 7 Drawing Sheets**



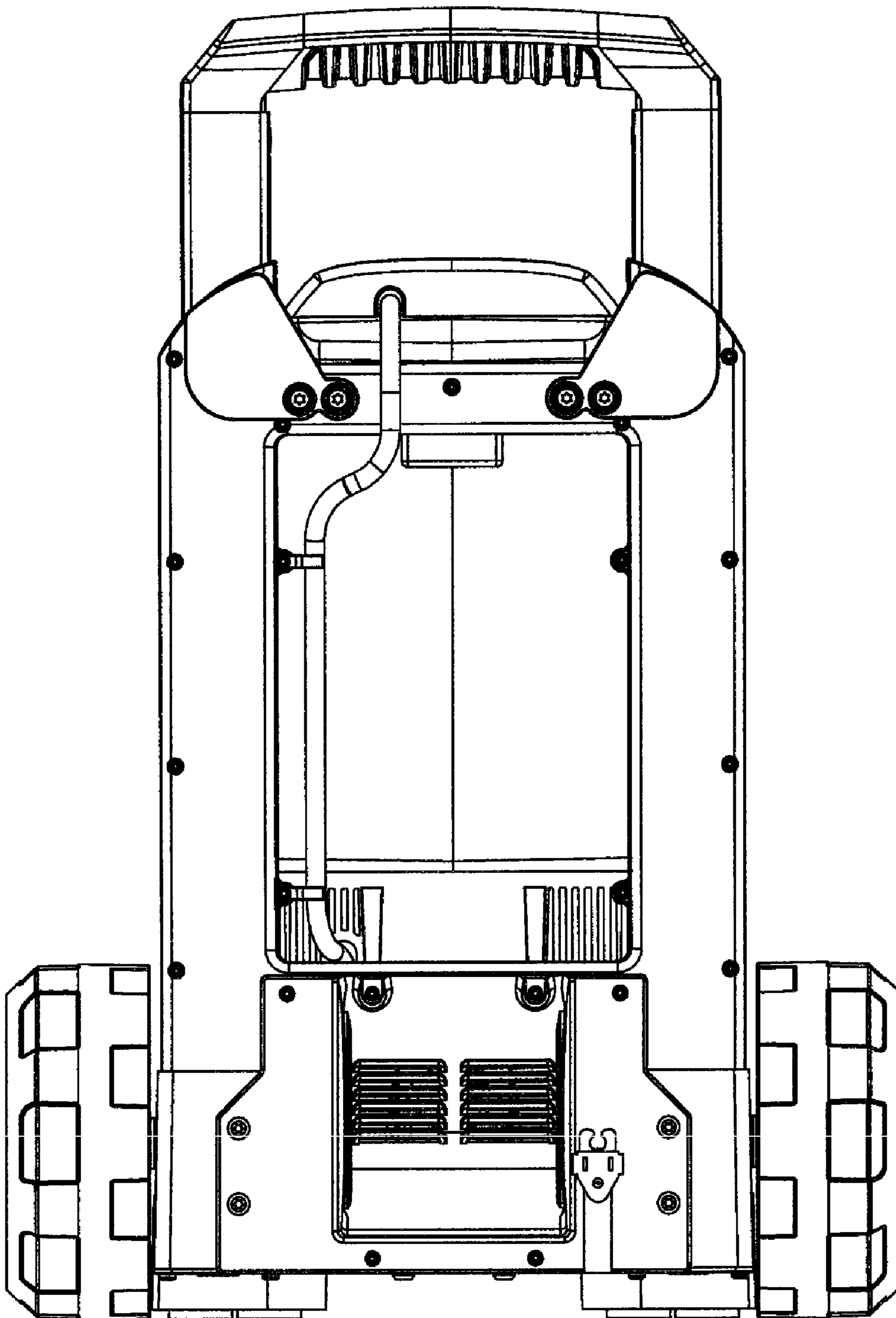
*Fig. 1*



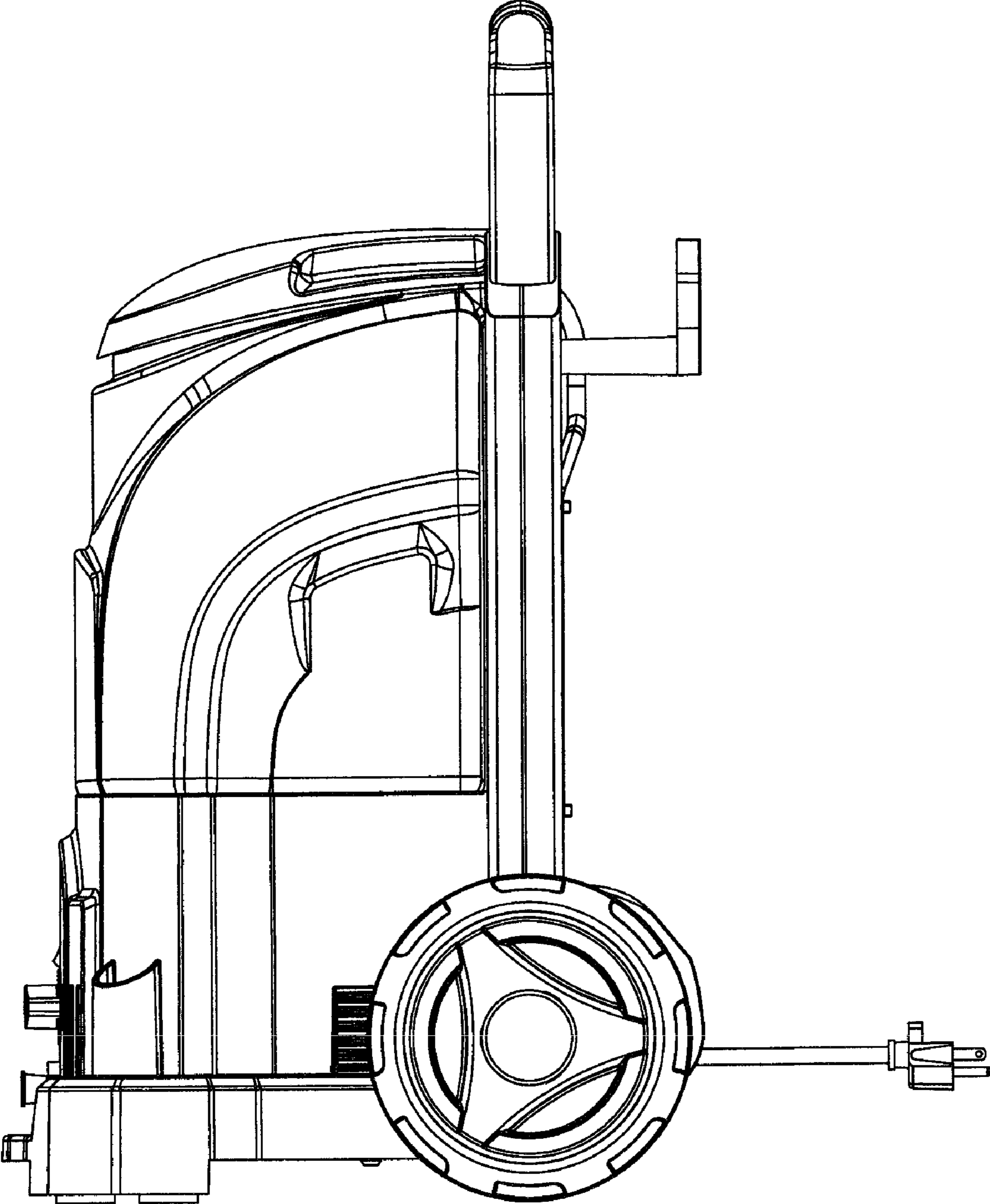
*Fig. 2*



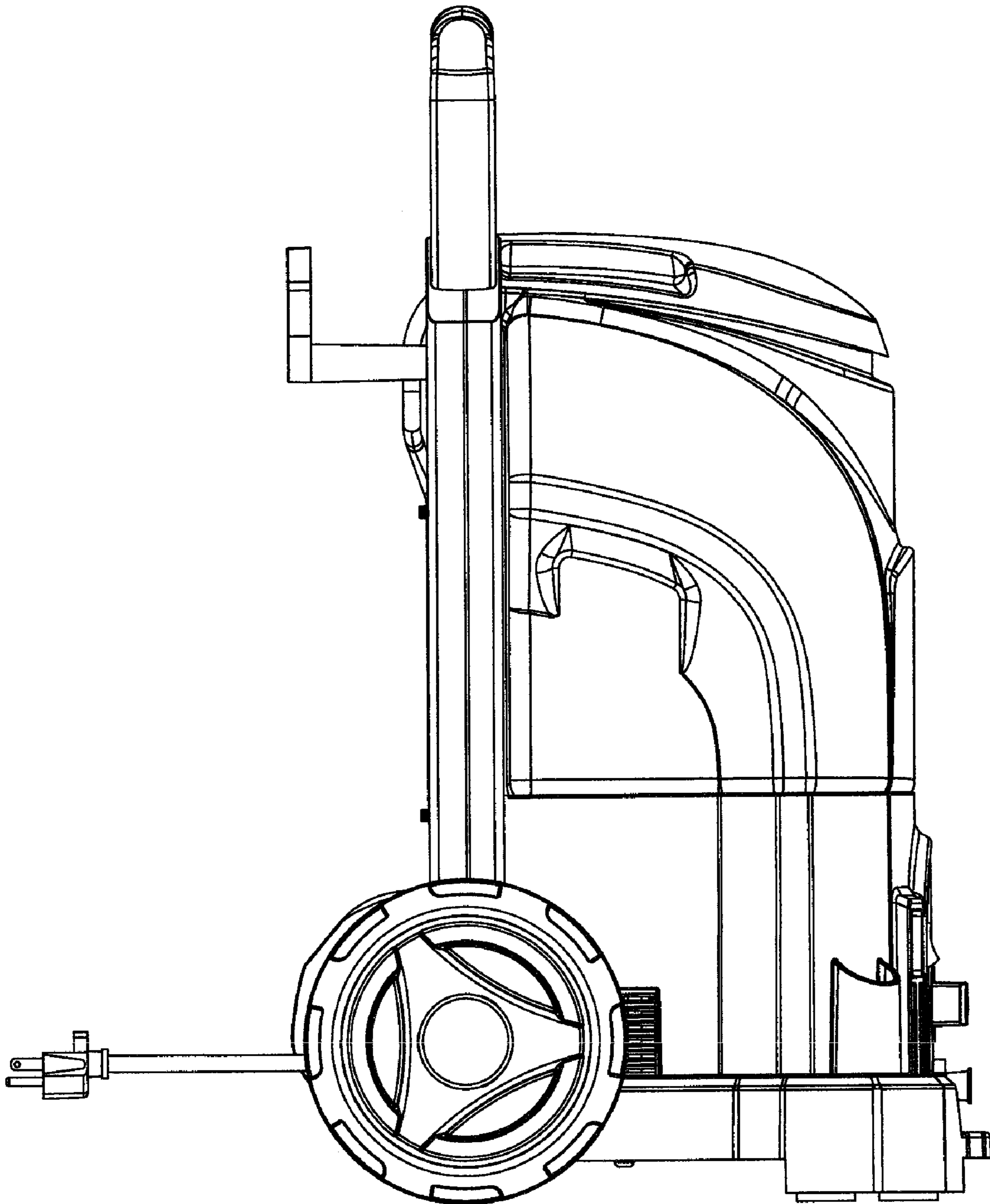
*Fig. 3*



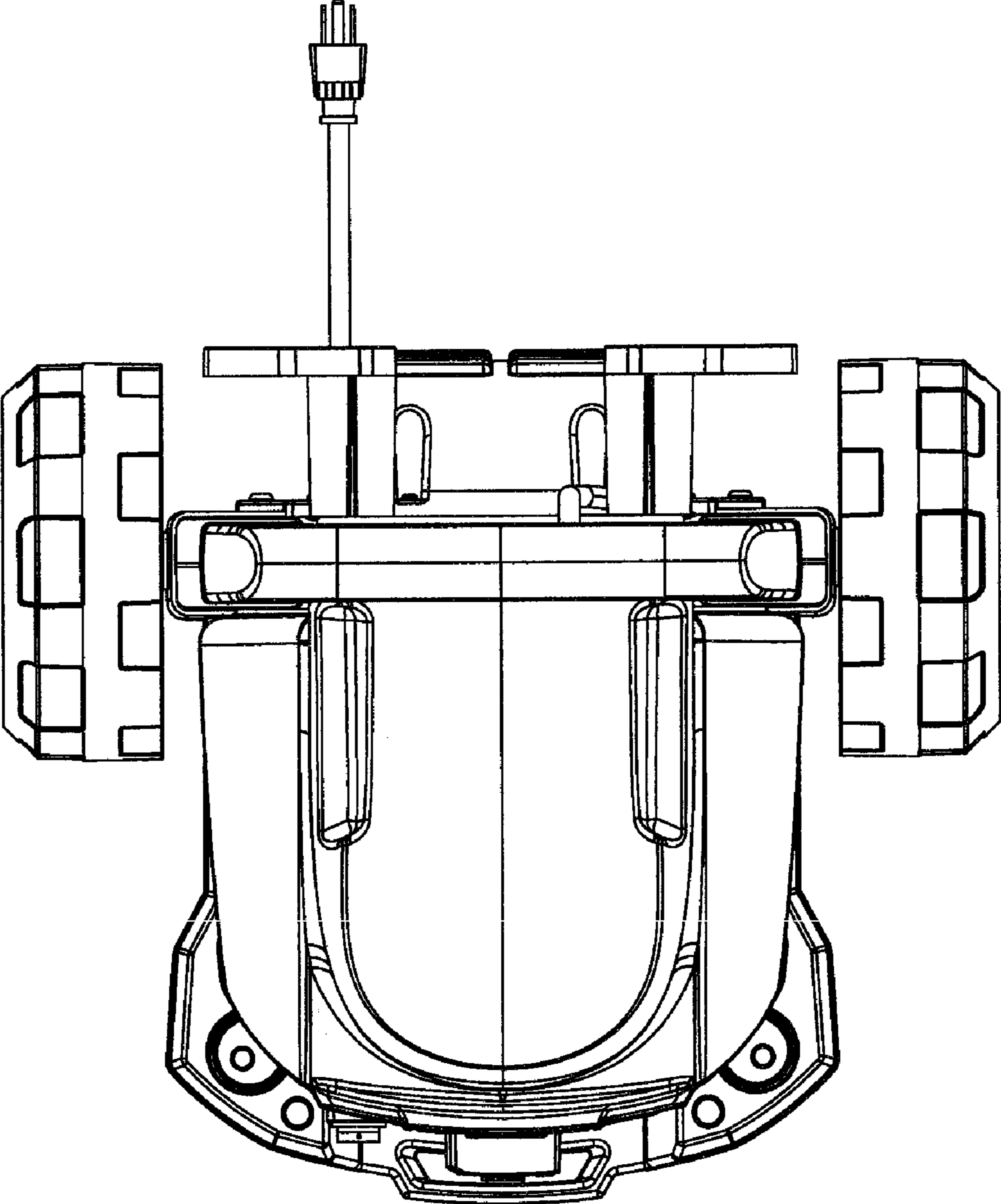
*Fig. 4*



*Fig. 5*



*Fig. 6*



*Fig. 7*

