



US00D576702S

(12) **United States Design Patent**
Aguiar et al.

(10) **Patent No.:** **US D576,702 S**
(45) **Date of Patent:** **** Sep. 9, 2008**

(54) **SHROUD FOR PORTABLE GAS CYLINDER**

D460,519 S * 7/2002 Chohfi et al. D23/206

(75) Inventors: **Carlos Aguiar**, Burgo (PT); **José Portocarrero**, Macieira da Maia (PT)

* cited by examiner

(73) Assignee: **AMTROL Licensing, Inc.**, West Warwick, RI (US)

Primary Examiner—Robin V Webster

(74) *Attorney, Agent, or Firm*—Scott D. Wofsy; Edwards Angell Palmer & Dodge LLP

(**) Term: **14 Years**

(57) **CLAIM**

(21) Appl. No.: **29/294,996**

The ornamental design for a shroud for portable gas cylinder, as shown and described.

(22) Filed: **Feb. 6, 2008**

DESCRIPTION

(51) **LOC (8) Cl.** **23-01**

(52) **U.S. Cl.** **D23/206**

(58) **Field of Classification Search** D23/202,
D23/206, 225; 220/581; 206/0.6

See application file for complete search history.

FIG. 1 is a perspective view of the shroud for portable gas cylinder showing our new design;

FIG. 2 is a front view thereof;

FIG. 3 is a side view thereof; and,

FIG. 4 is a top view thereof.

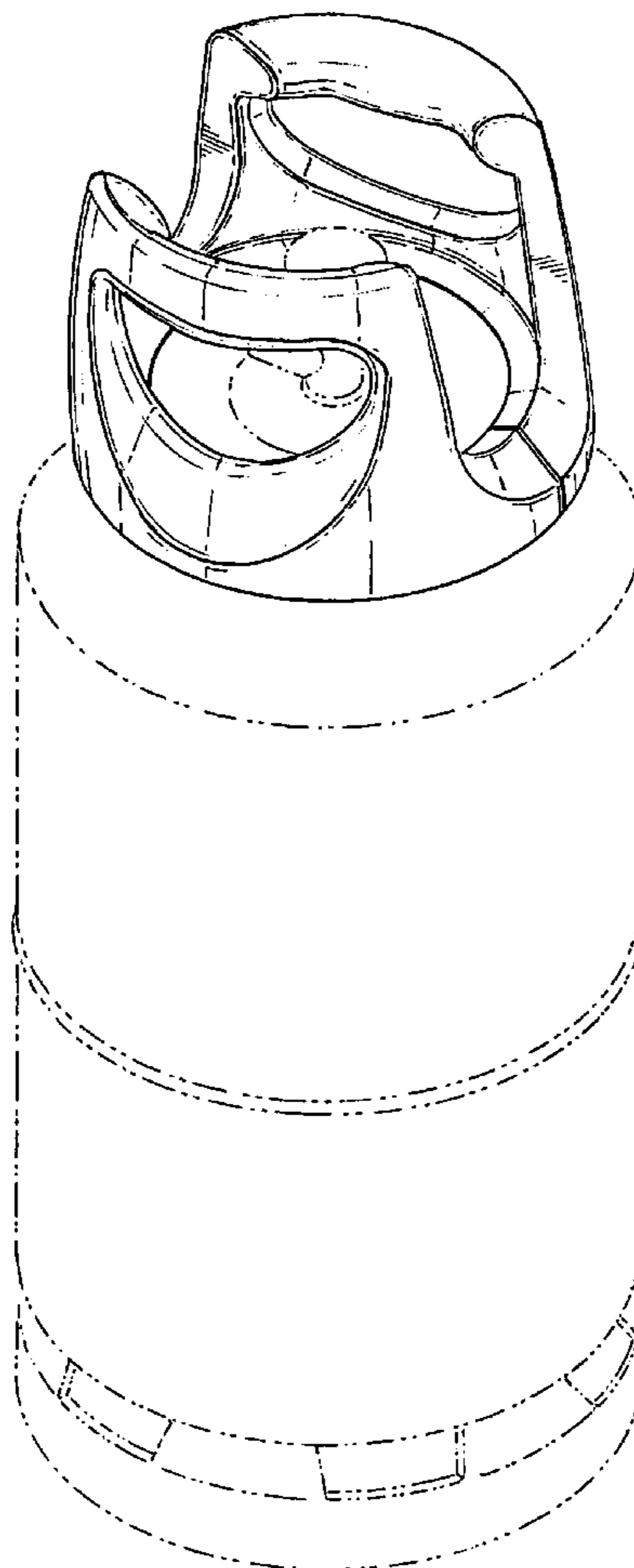
The broken line showing of the gas cylinder is included for the purpose of illustrating and forms no part of the claimed design.

(56) **References Cited**

U.S. PATENT DOCUMENTS

D210,374 S *	3/1968	Schaefer	D23/206
D334,967 S *	4/1993	Kitsuda	D23/206
5,429,267 A *	7/1995	San	220/581

1 Claim, 3 Drawing Sheets



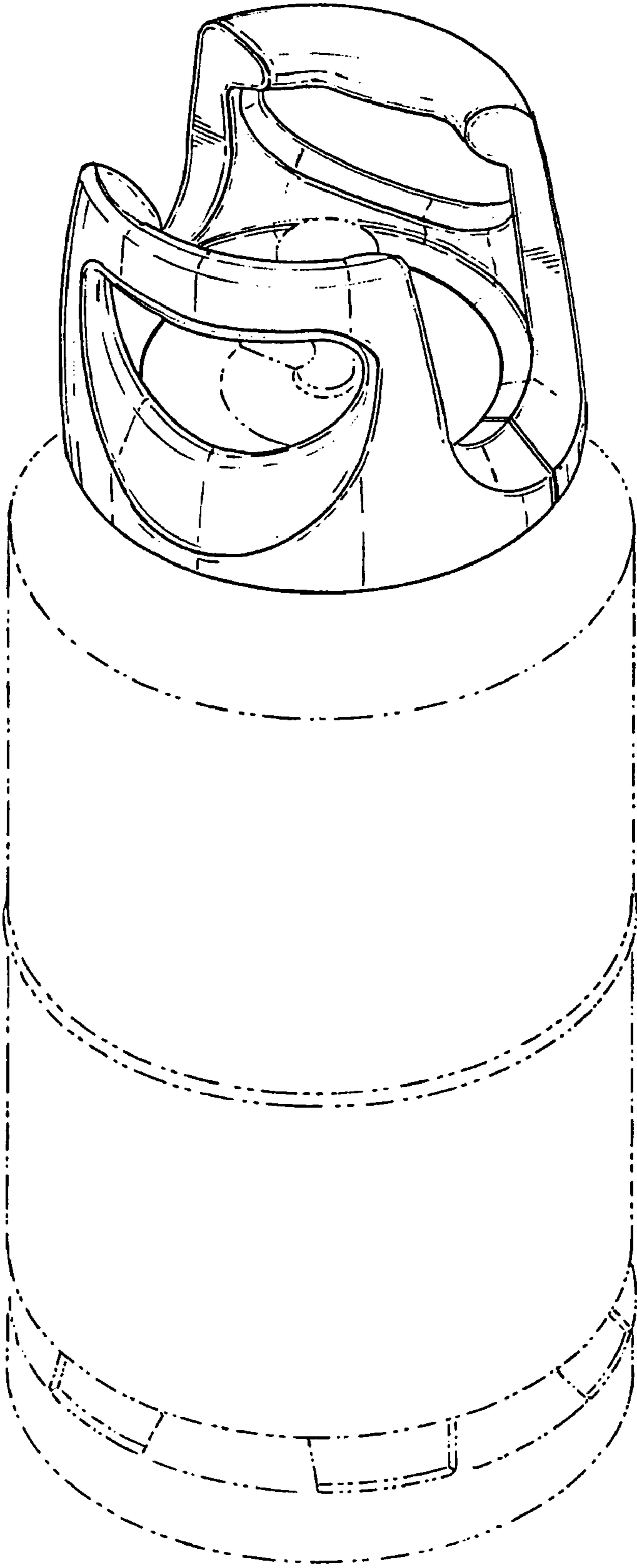


Fig. 1

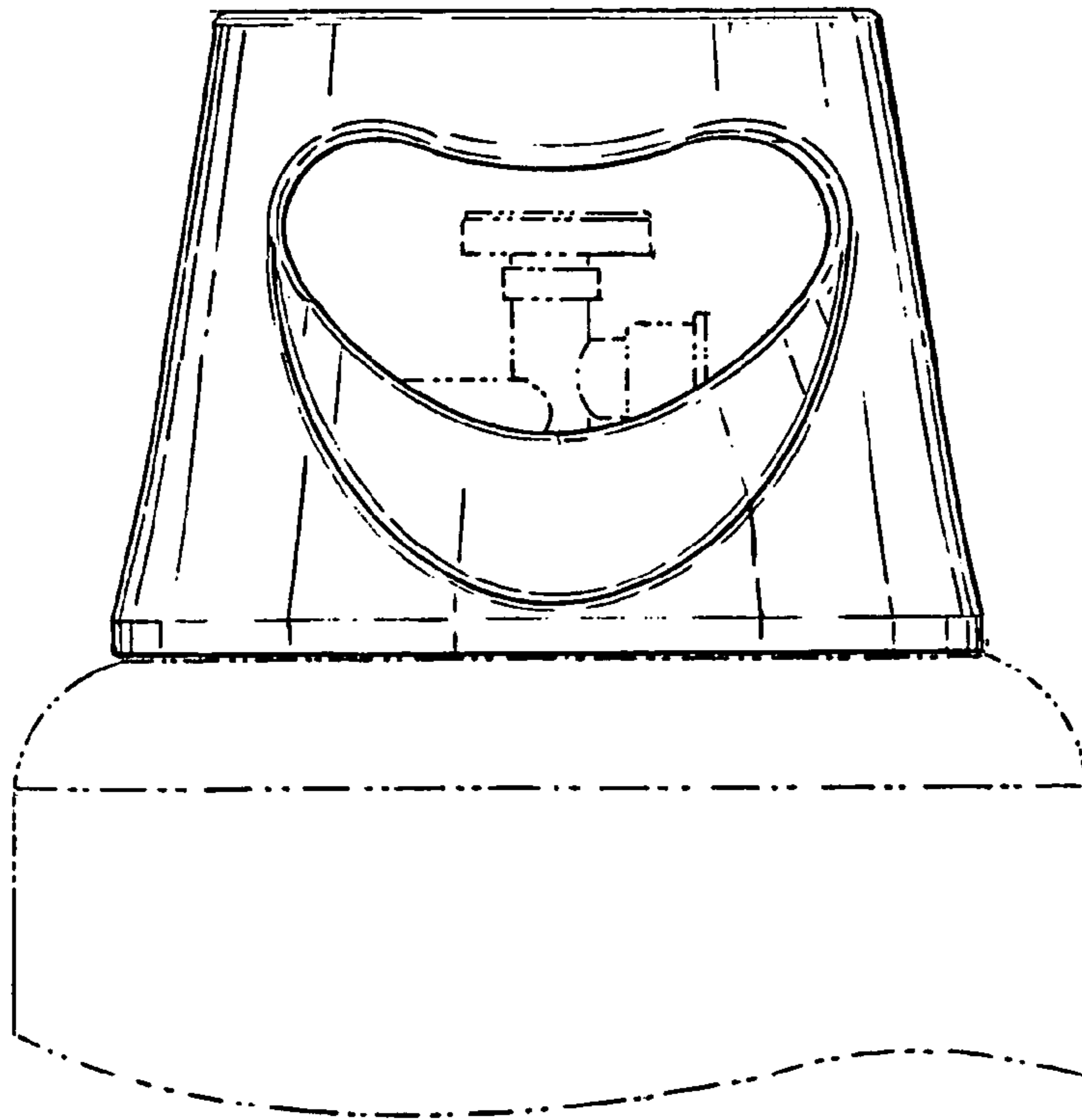
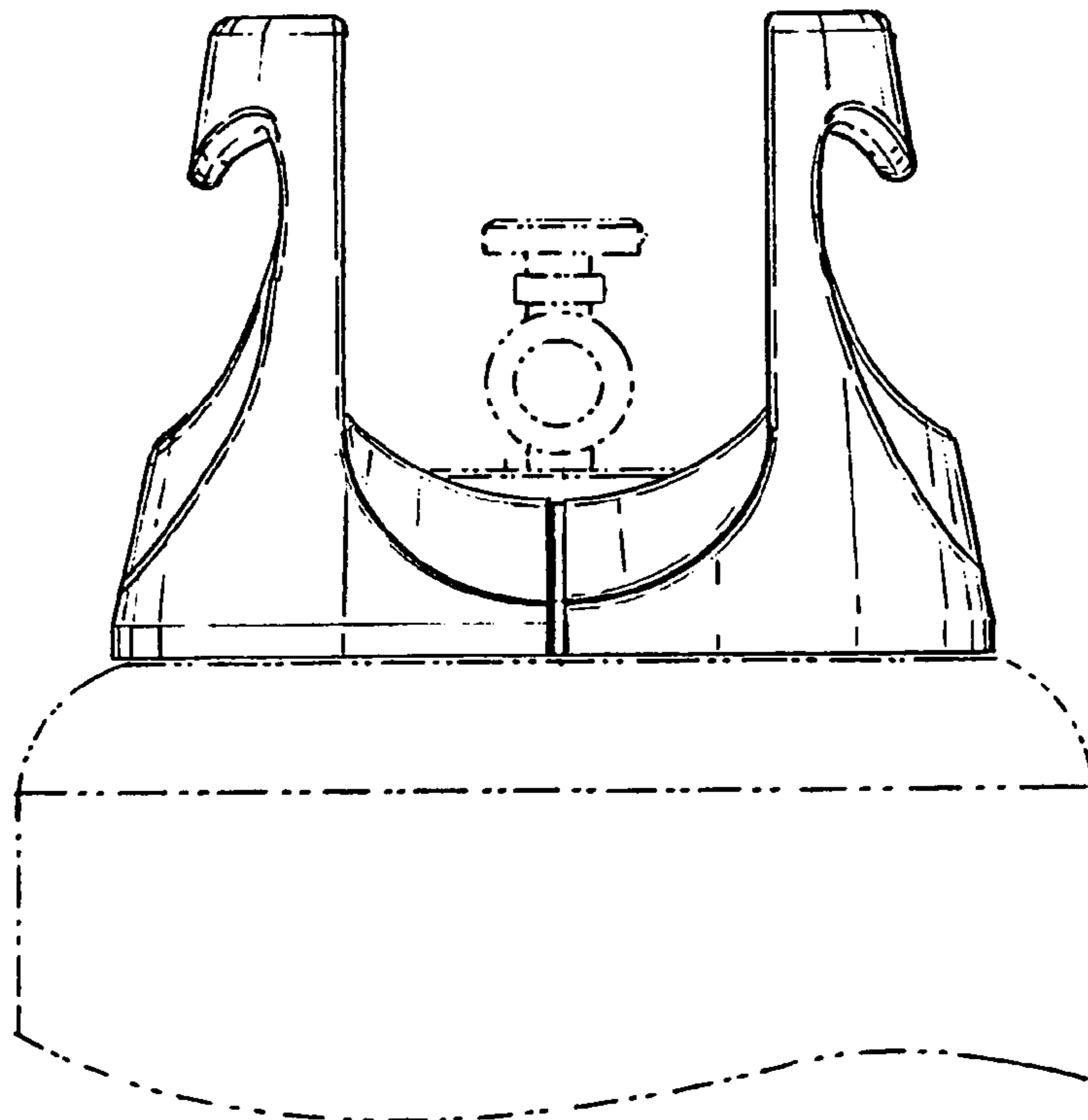


Fig. 2

Fig. 3



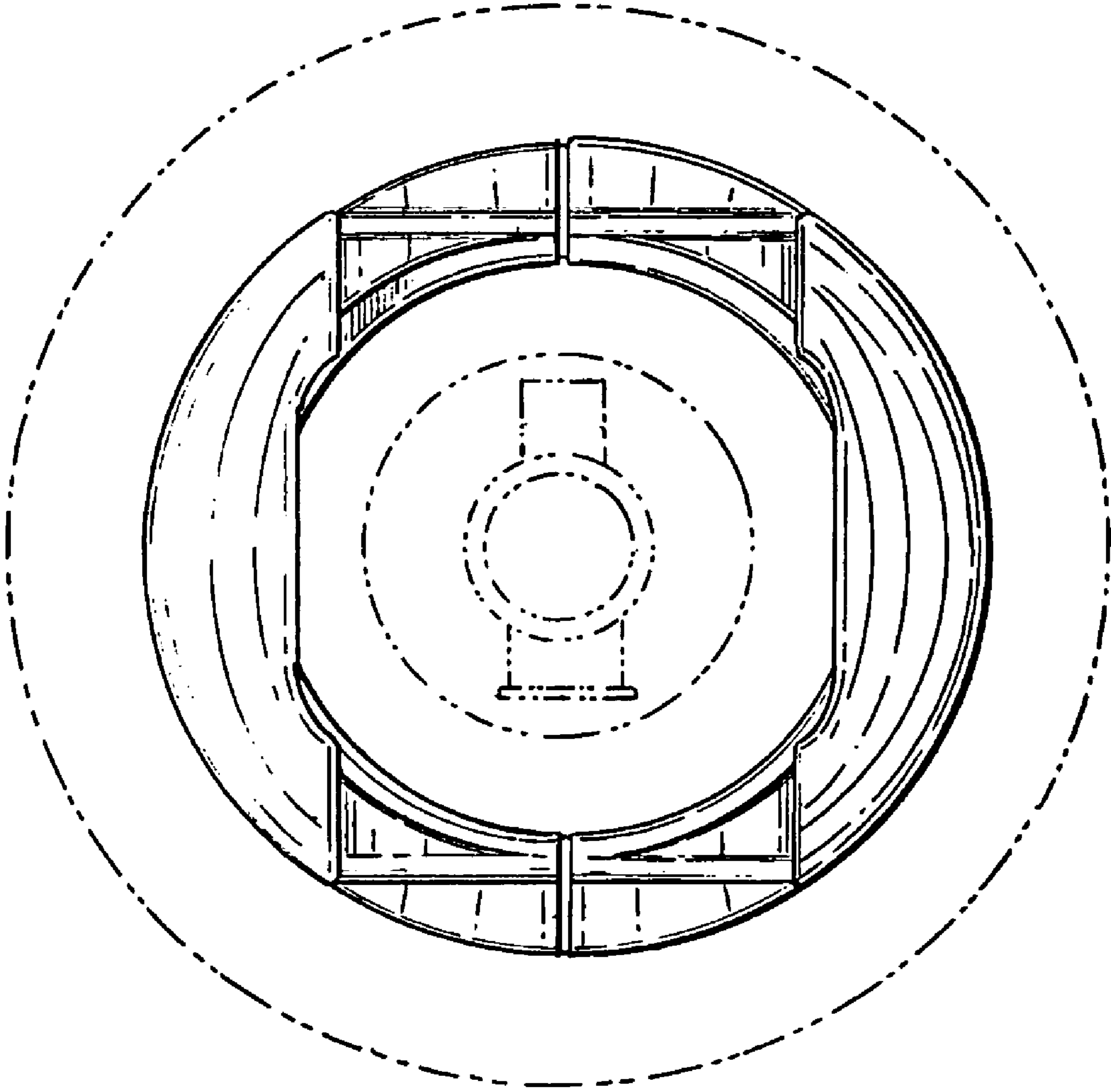


Fig. 4