



US00D576701S

(12) **United States Design Patent**
Nichols

(10) **Patent No.:** **US D576,701 S**

(45) **Date of Patent:** **** Sep. 9, 2008**

(54) **RIFLE MAGAZINE WELL COVER**

2007/0006511 A1 1/2007 Salva

(76) Inventor: **James K. Nichols**, 2101 Hidden Creek Dr., Auburn, IN (US) 46706

OTHER PUBLICATIONS

Internet Webpage; Commenga Corporation; <http://www.cammenga.com/cammenga-products.php?category=6>; 2 pages.

(**) Term: **14 Years**

* cited by examiner

(21) Appl. No.: **29/293,789**

Primary Examiner—Ian Simmons

(22) Filed: **Dec. 12, 2007**

Assistant Examiner—Melanie Levy

(74) *Attorney, Agent, or Firm*—George Pappas

(51) **LOC (8) Cl.** **22-01**

(52) **U.S. Cl.** **D22/108**

(58) **Field of Classification Search** D22/108,
D22/199; 42/6, 7, 50, 18, 22, 49.01, 49.07
See application file for complete search history.

(57) **CLAIM**

The ornamental design for a rifle magazine well cover, as shown and described.

(56) **References Cited**

DESCRIPTION

U.S. PATENT DOCUMENTS

3,089,272	A	5/1963	McKinlay	
4,384,420	A	5/1983	Von Muller	
4,397,109	A *	8/1983	Pachmayr et al.	42/50
4,528,765	A	7/1985	Johnson	
4,619,062	A	10/1986	Johnson	
4,709,496	A	12/1987	Johnson	
4,896,447	A	1/1990	Badoni	
5,105,571	A	4/1992	Kinchin et al.	
D344,780	S *	3/1994	Jenkins	D22/108
5,361,526	A	11/1994	Campbell	
D362,044	S *	9/1995	Snieszak	D22/108
5,651,204	A	7/1997	Hulsey et al.	
D388,858	S	1/1998	Stahl	
D401,992	S *	12/1998	Pearce	D22/199
D427,274	S	6/2000	Hicks	
6,240,669	B1	6/2001	Spaniel et al.	
D487,791	S	3/2004	Freed	
D493,861	S	8/2004	Rauch et al.	

FIG. 1 is a perspective view of a rifle magazine well cover and showing the front, top and right side thereof in accordance with my invention;

FIG. 2 is a top plan view of the rifle magazine well cover shown in FIG. 1;

FIG. 3 is a bottom plan view of the rifle magazine well cover shown in FIG. 1;

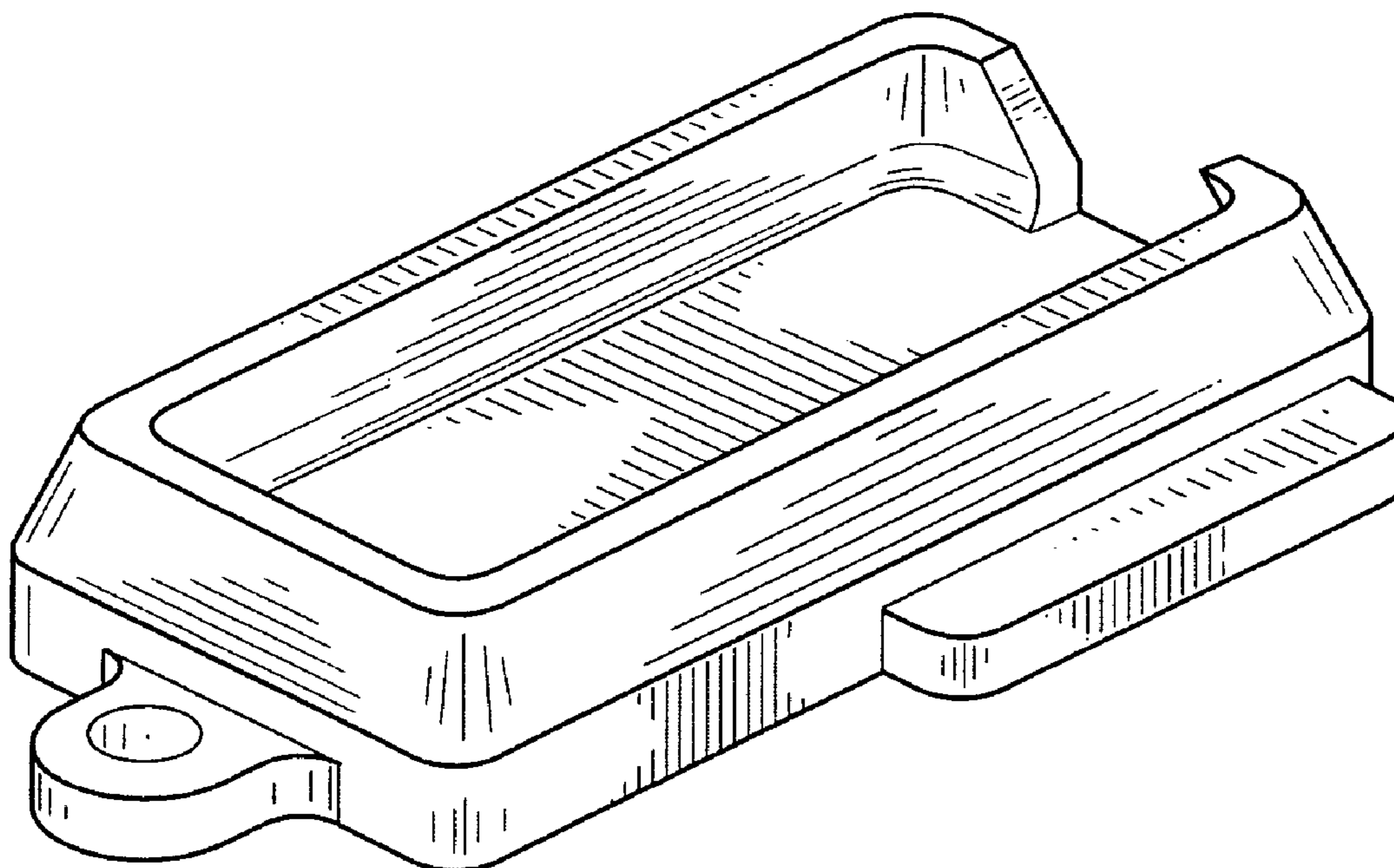
FIG. 4 is a right side elevation view of the rifle magazine well cover shown in FIG. 1;

FIG. 5 is a left side elevation view of the rifle magazine well cover shown in FIG. 1;

FIG. 6 is a front elevation view of the rifle magazine well cover shown in FIG. 1; and,

FIG. 7 is a rear elevation view of the rifle magazine well cover shown in FIG. 1.

1 Claim, 4 Drawing Sheets



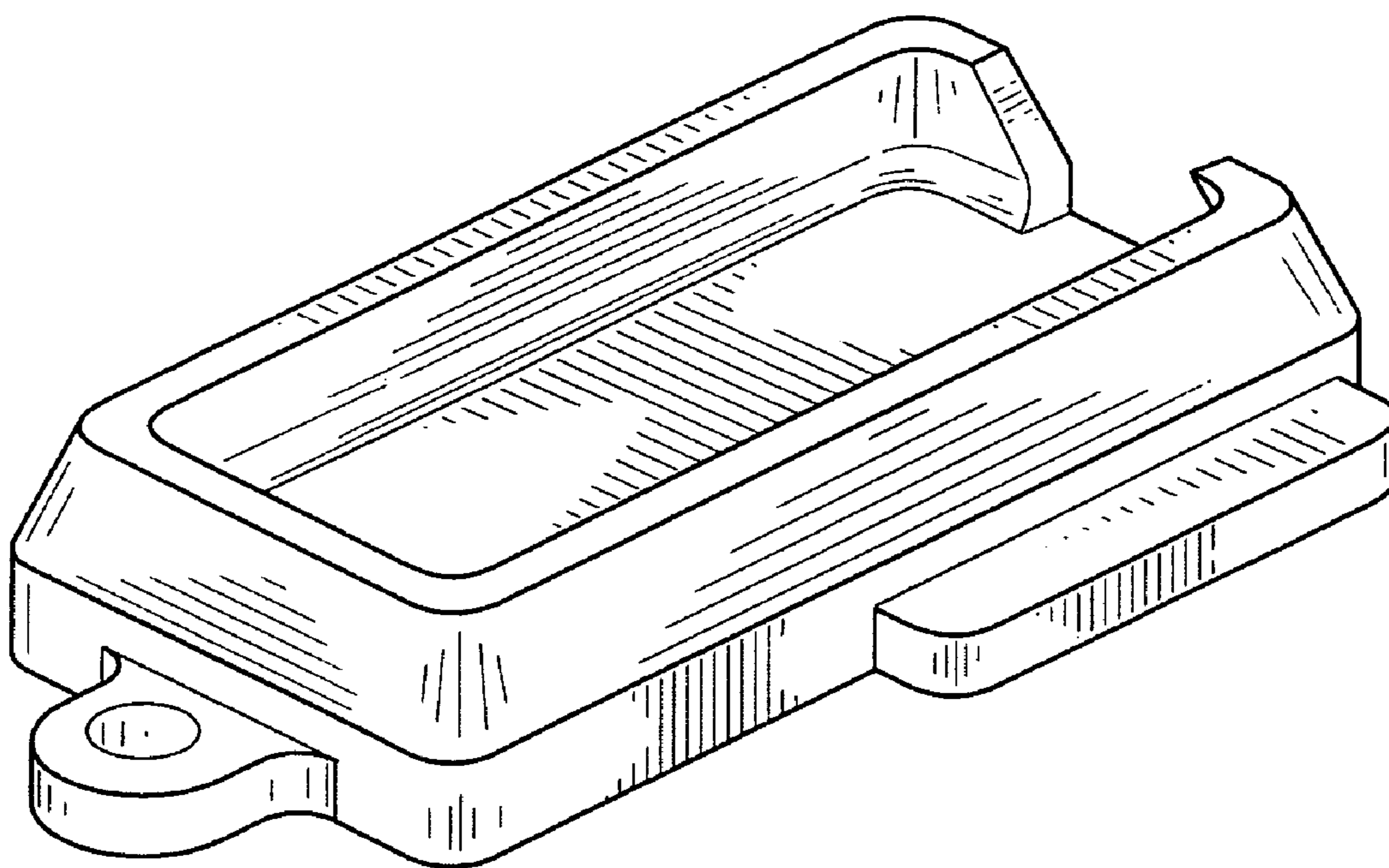


FIG. 1

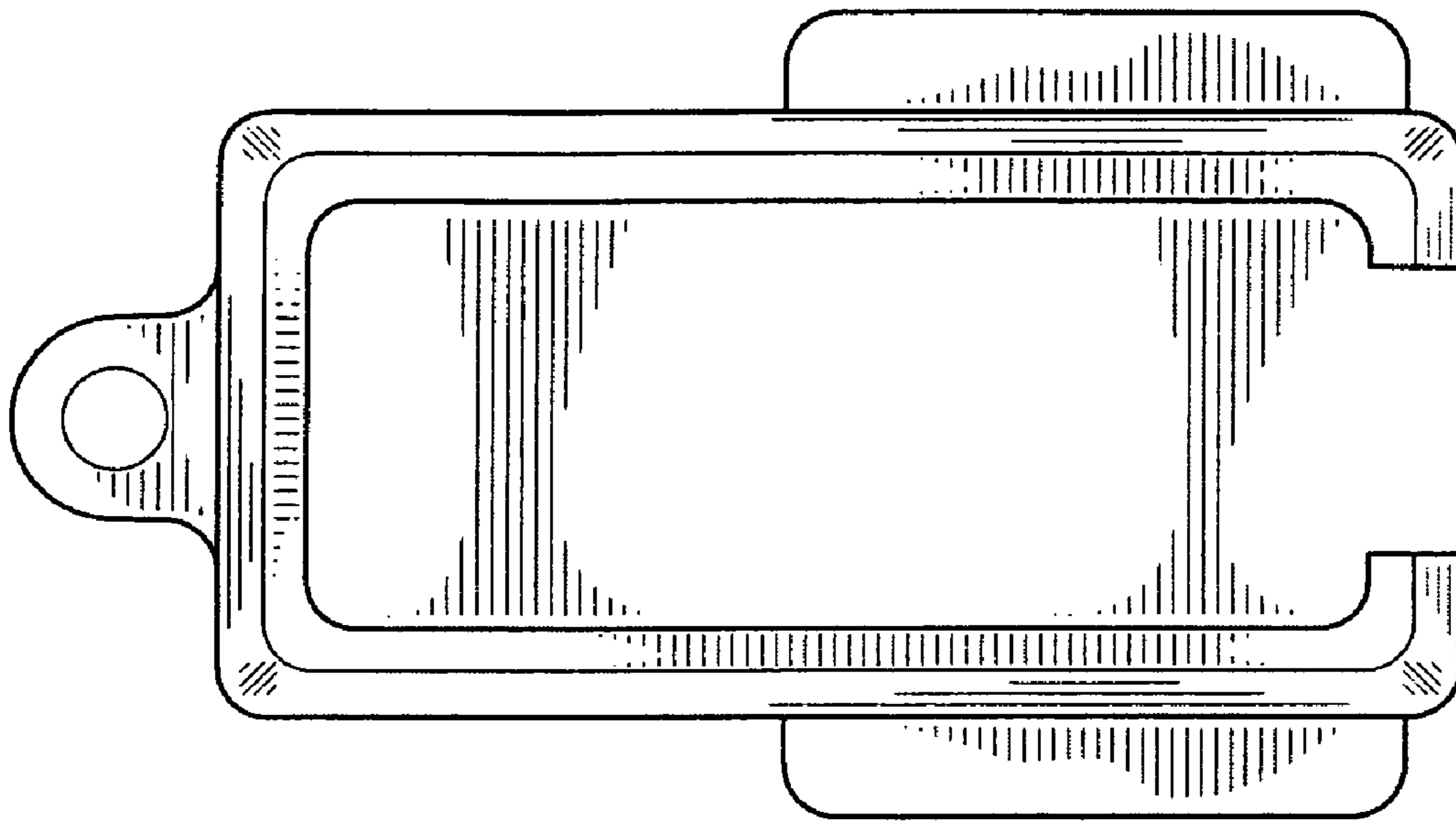


FIG. 2

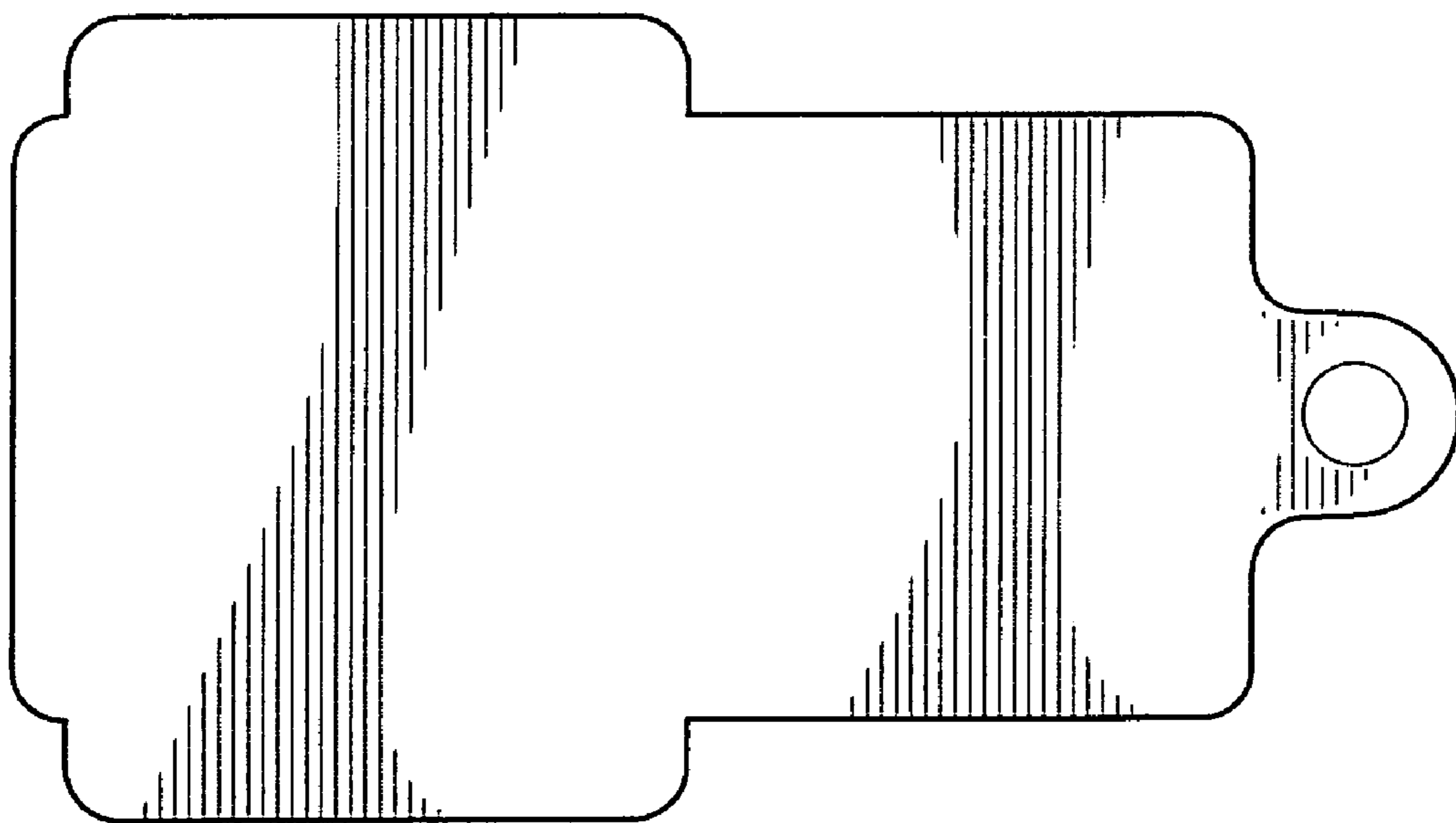


FIG. 3

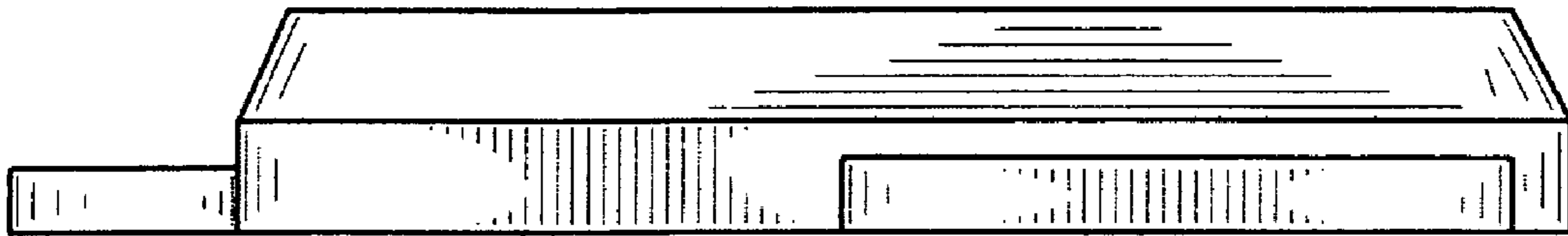


FIG. 4

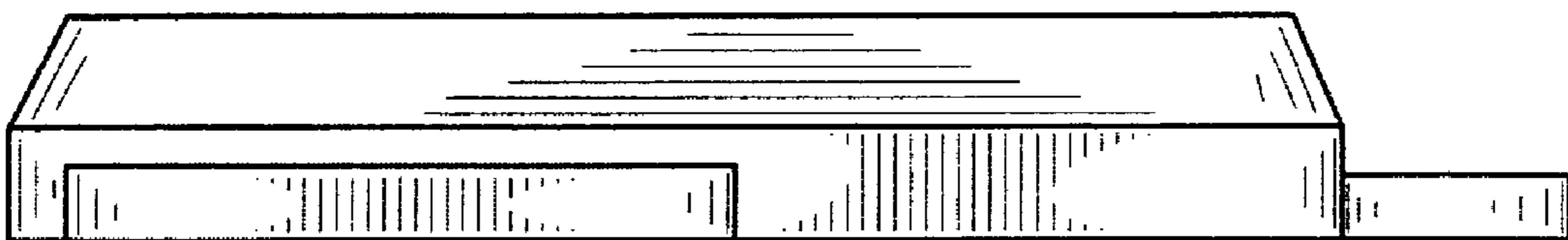


FIG. 5

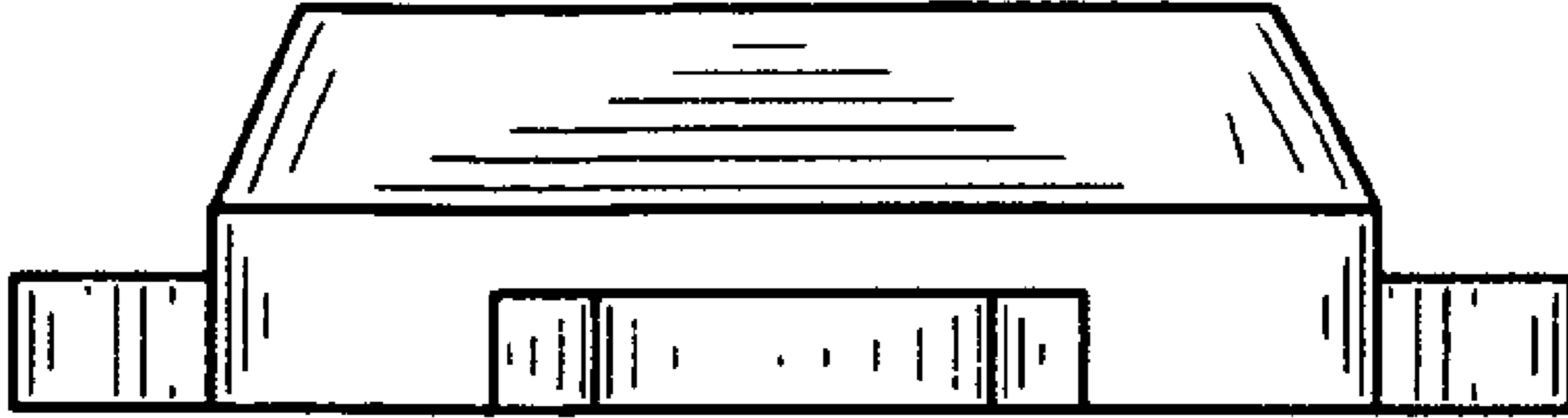


FIG. 6

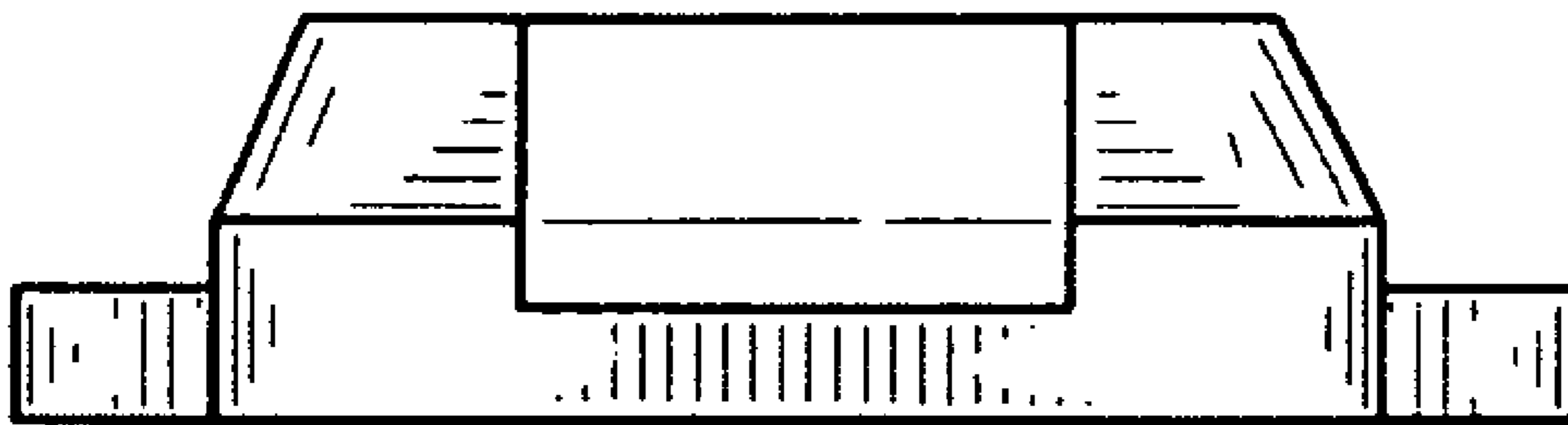


FIG. 7