



US00D576698S

(12) **United States Design Patent**  
**Cameron**

(10) **Patent No.:** **US D576,698 S**

(45) **Date of Patent:** **\*\* Sep. 9, 2008**

(54) **PUTTER HEAD**

(75) **Inventor:** **Don T. Cameron**, Carlsbad, CA (US)

(73) **Assignee:** **Acushnet Company**, Fairhaven, MA (US)

(\*\*) **Term:** **14 Years**

(21) **Appl. No.:** **29/282,442**

(22) **Filed:** **Jul. 20, 2007**

(51) **LOC (8) Cl.** ..... **21-02**

(52) **U.S. Cl.** ..... **D21/759**

(58) **Field of Classification Search** ..... D21/736-746,  
D21/753, 759; 473/324-331, 340-341, 251-256  
See application file for complete search history.

(56) **References Cited**

**U.S. PATENT DOCUMENTS**

D385,609 S	*	10/1997	Cameron	.....	D21/753
D428,088 S		7/2000	Cameron et al.		
D441,042 S	*	4/2001	Hettinger	.....	D21/759
D465,002 S	*	10/2002	Long	.....	D21/759
D466,173 S	*	11/2002	Sizemore, Jr.	.....	D21/759

D508,723 S	*	8/2005	Rollinson et al.	.....	D21/759
D510,395 S	*	10/2005	Miraflor et al.	.....	D21/759
D512,116 S	*	11/2005	Miraflor et al.	.....	D21/759
D548,299 S	*	8/2007	Nguyen et al.	.....	D21/759
D552,700 S	*	10/2007	Rollinson	.....	D21/759

\* cited by examiner

*Primary Examiner*—Mitchell I Siegel

(74) *Attorney, Agent, or Firm*—Kristin D. Wheeler

(57) **CLAIM**

The ornamental design for a putter head, as shown and described.

**DESCRIPTION**

FIG. 1 is a front perspective view of my new design for a putter head;

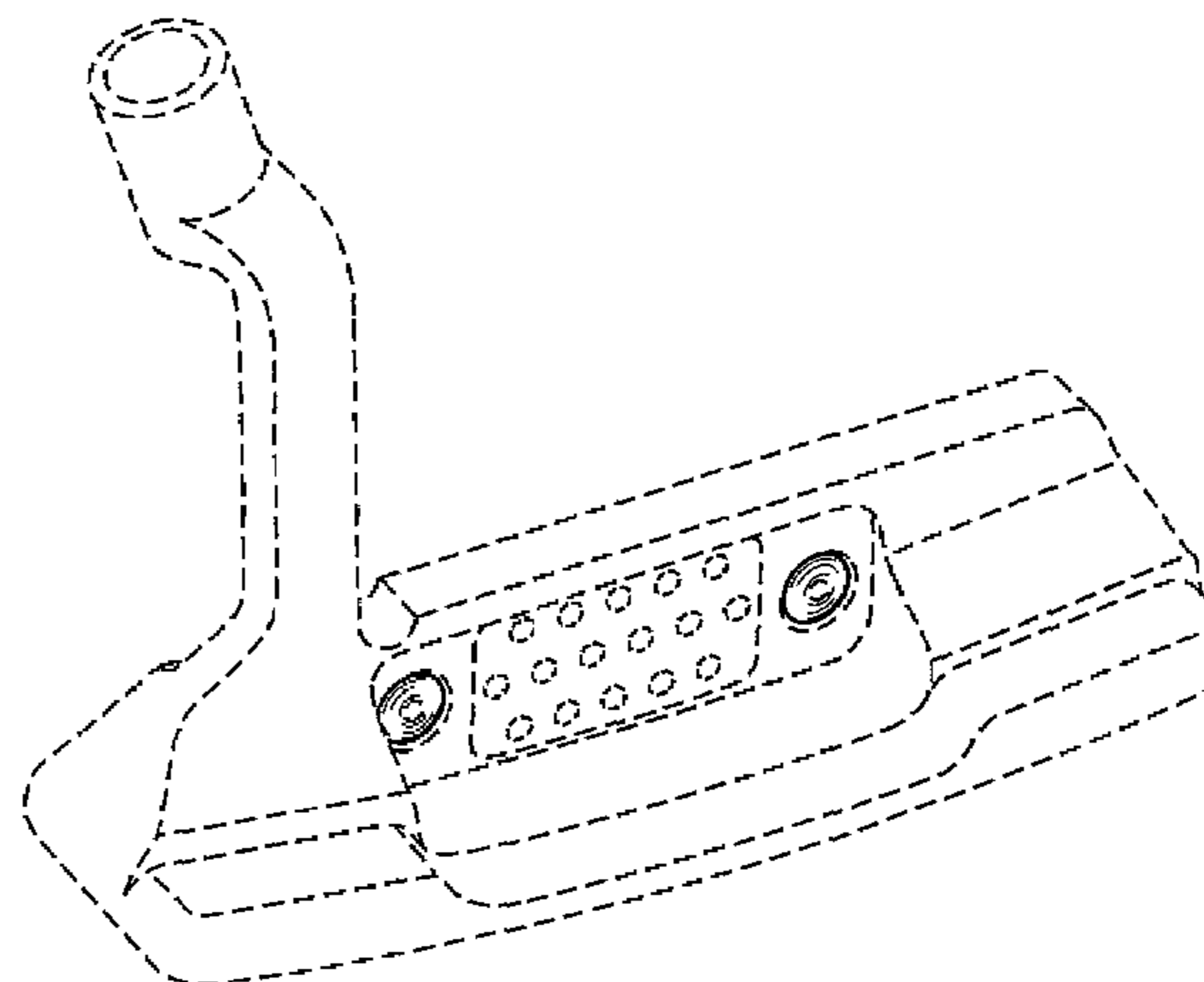
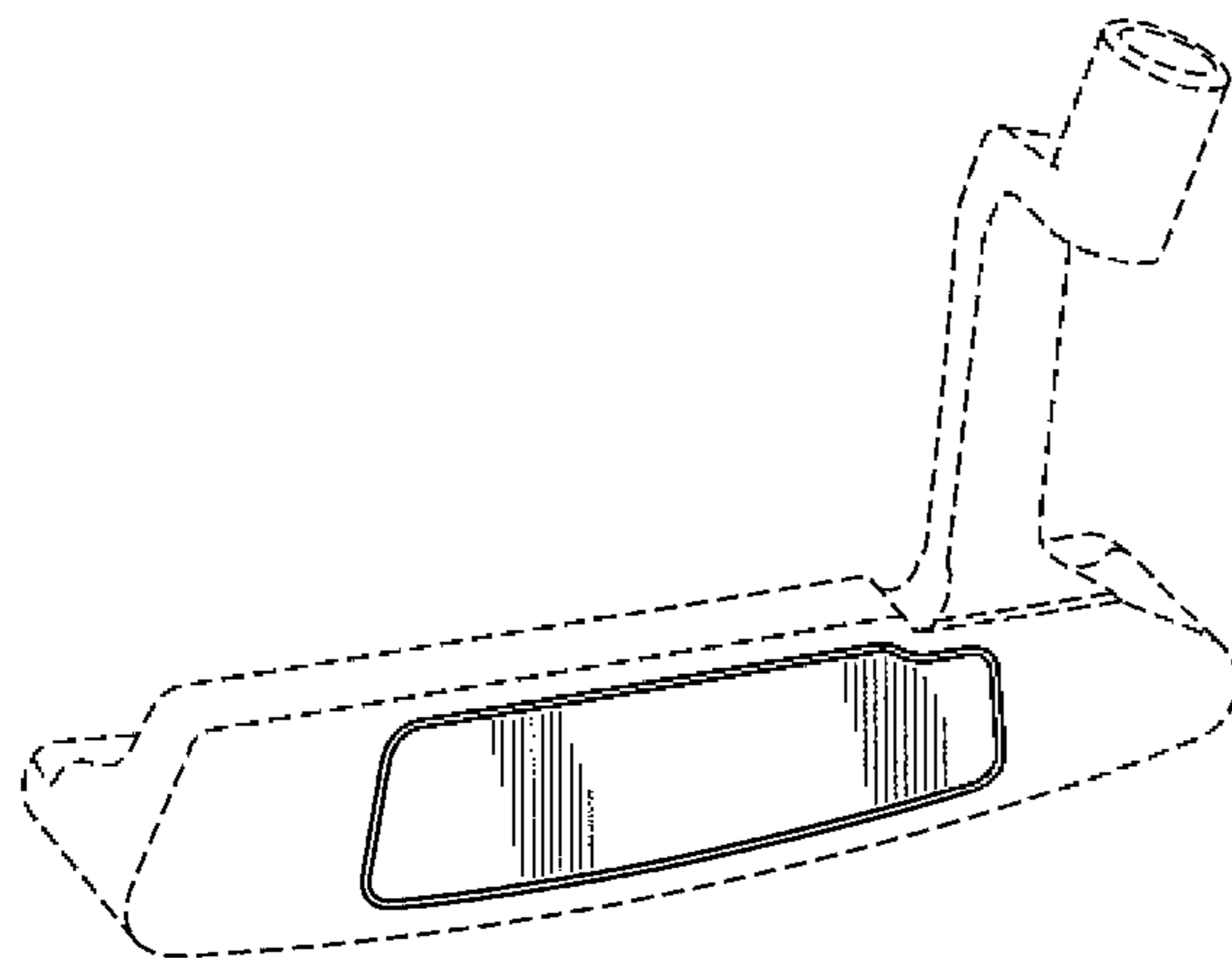
FIG. 2 is a front view thereof;

FIG. 3 is a back perspective view thereof; and,

FIG. 4 is a back view thereof.

The portion of the club head shown in phantom does not form any portion of the present invention.

**1 Claim, 2 Drawing Sheets**



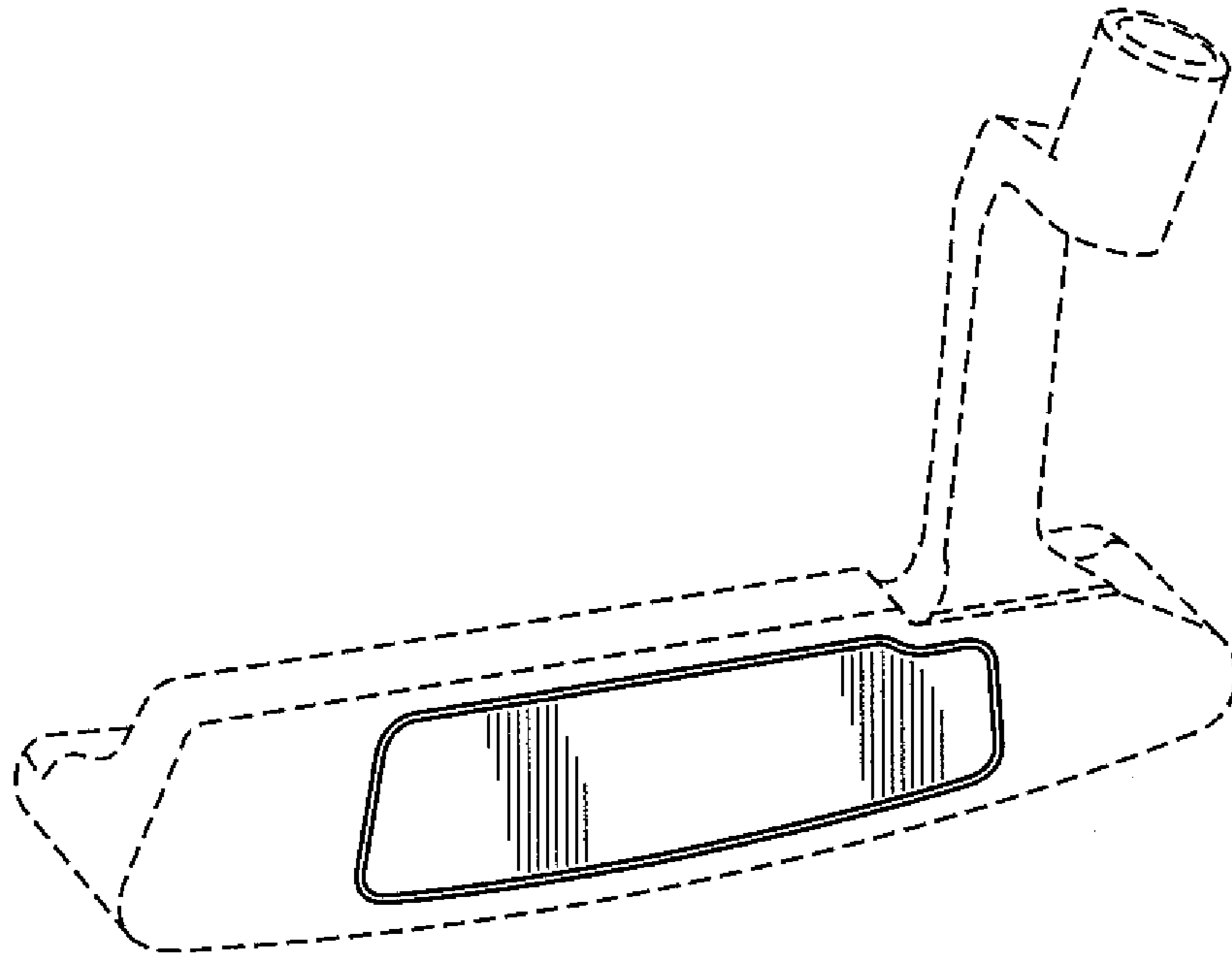


FIG. 1

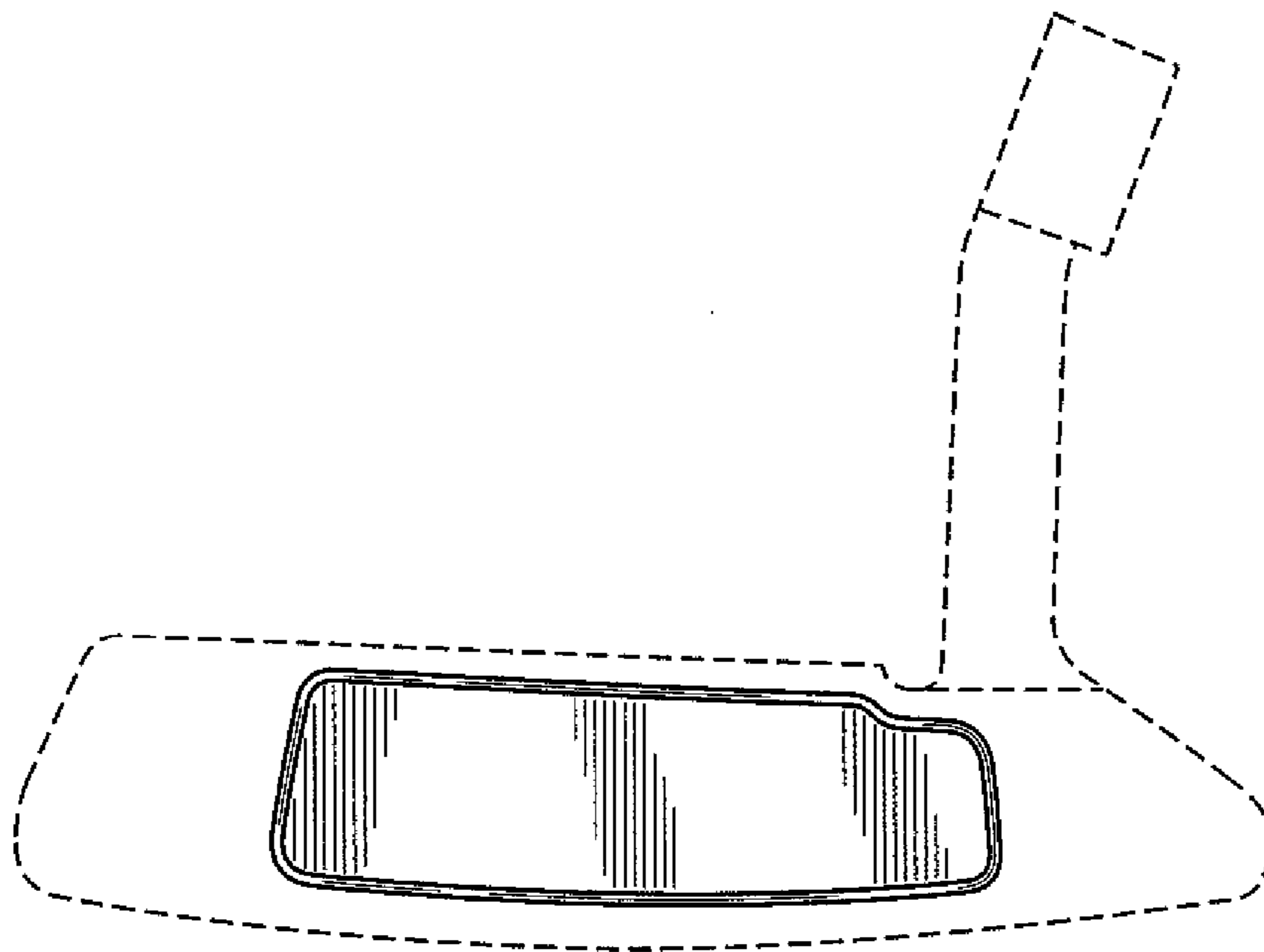


FIG. 2

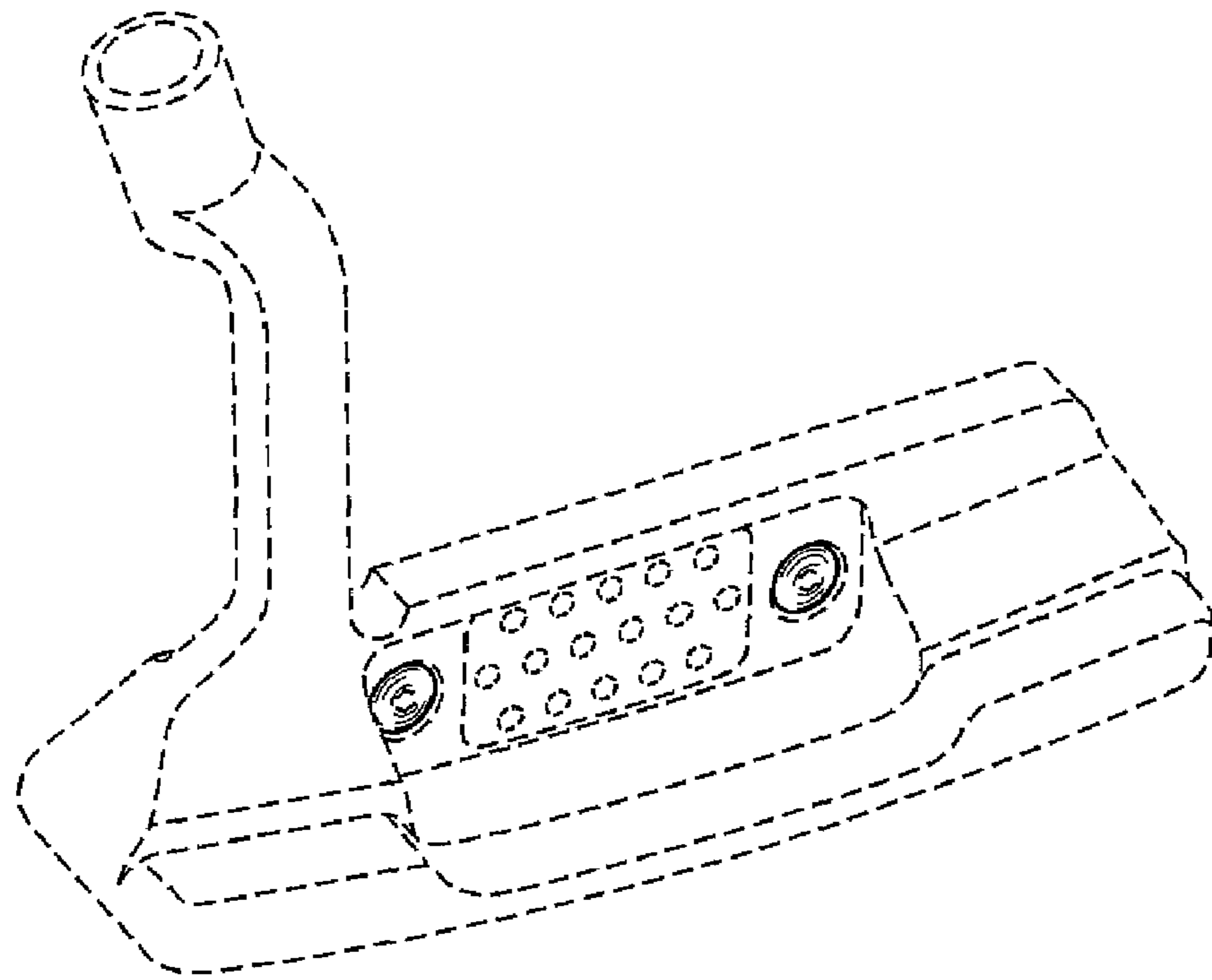


FIG. 3

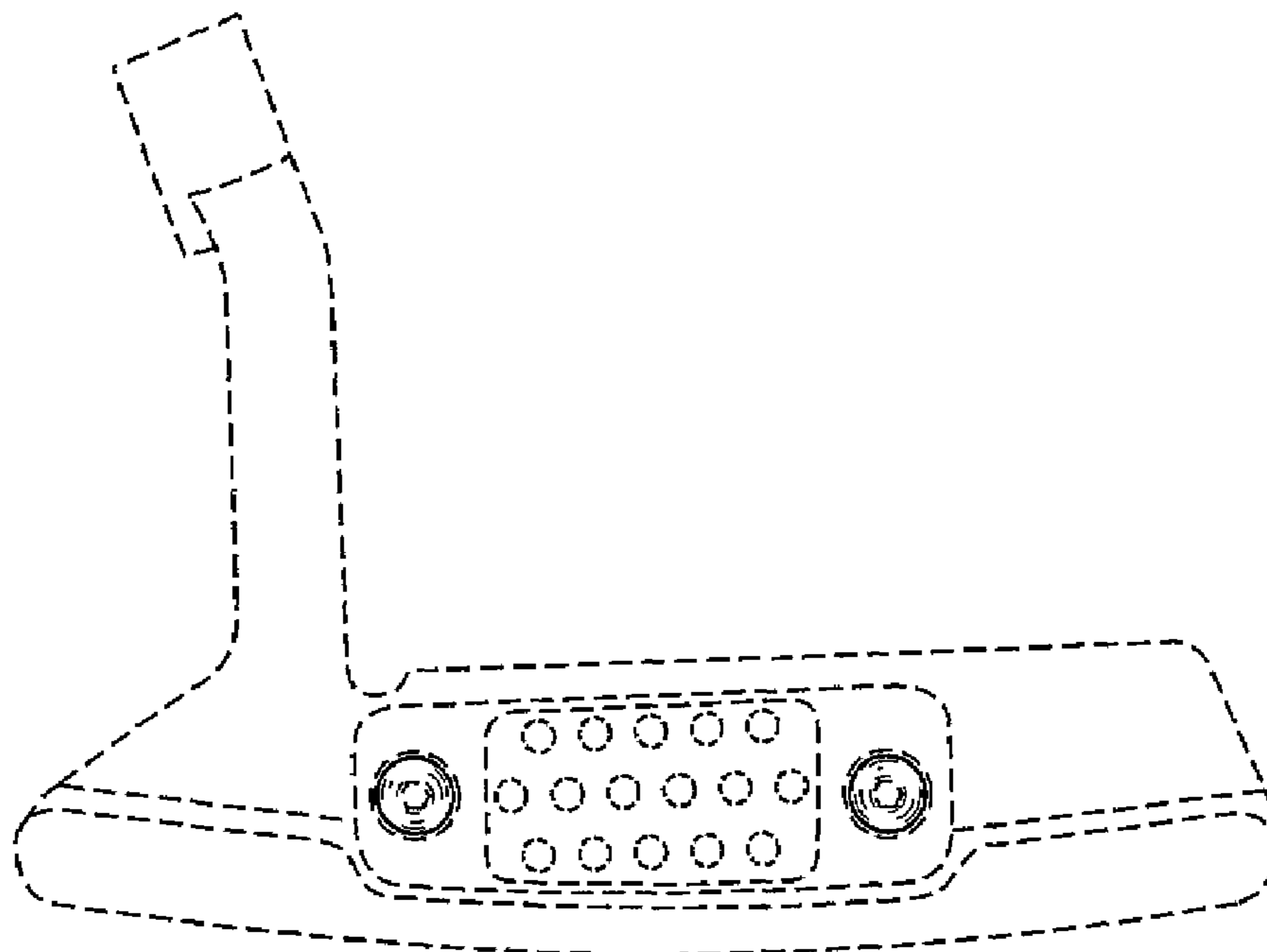


FIG. 4