



US00D576686S

(12) **United States Design Patent**
Ashida et al.

(10) **Patent No.:** **US D576,686 S**
(45) **Date of Patent:** **** Sep. 9, 2008**

(54) **ELECTRONIC GAME MACHINE**

6,821,204 B2 * 11/2004 Aonuma et al. 463/32
6,955,606 B2 * 10/2005 Taho et al. 463/43

(75) Inventors: **Kenichiro Ashida**, Kyoto (JP); **Masato Ibuki**, Kyoto (JP); **Shinji Yamamoto**, Kyoto (JP); **Hirokazu Matsui**, Kyoto (JP); **Akiko Suga**, Kyoto (JP)

(Continued)

Primary Examiner—Prabhakar Deshmukh
(74) *Attorney, Agent, or Firm*—Nixon & Vanderhye, PC

(73) Assignee: **Nintendo Co., Ltd.**, Kyoto (JP)

(57) **CLAIM**

(**) Term: **14 Years**

The ornamental design for an electronic game machine, as shown and described.

(21) Appl. No.: **29/287,368**

(22) Filed: **Jul. 30, 2007**

DESCRIPTION

Related U.S. Application Data

(62) Division of application No. 29/242,325, filed on Nov. 9, 2005, now Pat. No. Des. 556,835.

FIG. 1 is a front, bottom and left perspective view of an electronic game machine in accordance with of our new design;

(30) **Foreign Application Priority Data**

Jan. 21, 2005 (JP) 2005-013455
Jan. 21, 2005 (JP) 2005-013456
Jan. 21, 2005 (JP) 2005-013469

FIG. 2 is a rear, top and right perspective view thereof;

FIG. 3 is a front view thereof;

FIG. 4 is a rear view thereof;

FIG. 5 is a left side view thereof;

FIG. 6 is a right side view thereof;

FIG. 7 is a top plan view thereof;

FIG. 8 is a bottom plan view thereof;

(51) **LOC (8) Cl.** **21-01**

(52) **U.S. Cl.** **D21/332; D21/324**

(58) **Field of Classification Search** D21/332, D21/333, 324; 273/148 B, 148 R; 463/43–47, 463/29–35.1; D14/496, 483, 475, 477; 345/156–169
See application file for complete search history.

FIG. 9 is a front, bottom and left perspective view of an electronic game machine illustrating another embodiment of our new design;

FIG. 10 is a rear, top and right perspective view thereof;

FIG. 11 is a front view thereof;

FIG. 12 is a rear view thereof;

FIG. 13 is a left side view thereof;

FIG. 14 is a right side view thereof;

FIG. 15 is a top plan view thereof;

FIG. 16 is a bottom plan view thereof; and,

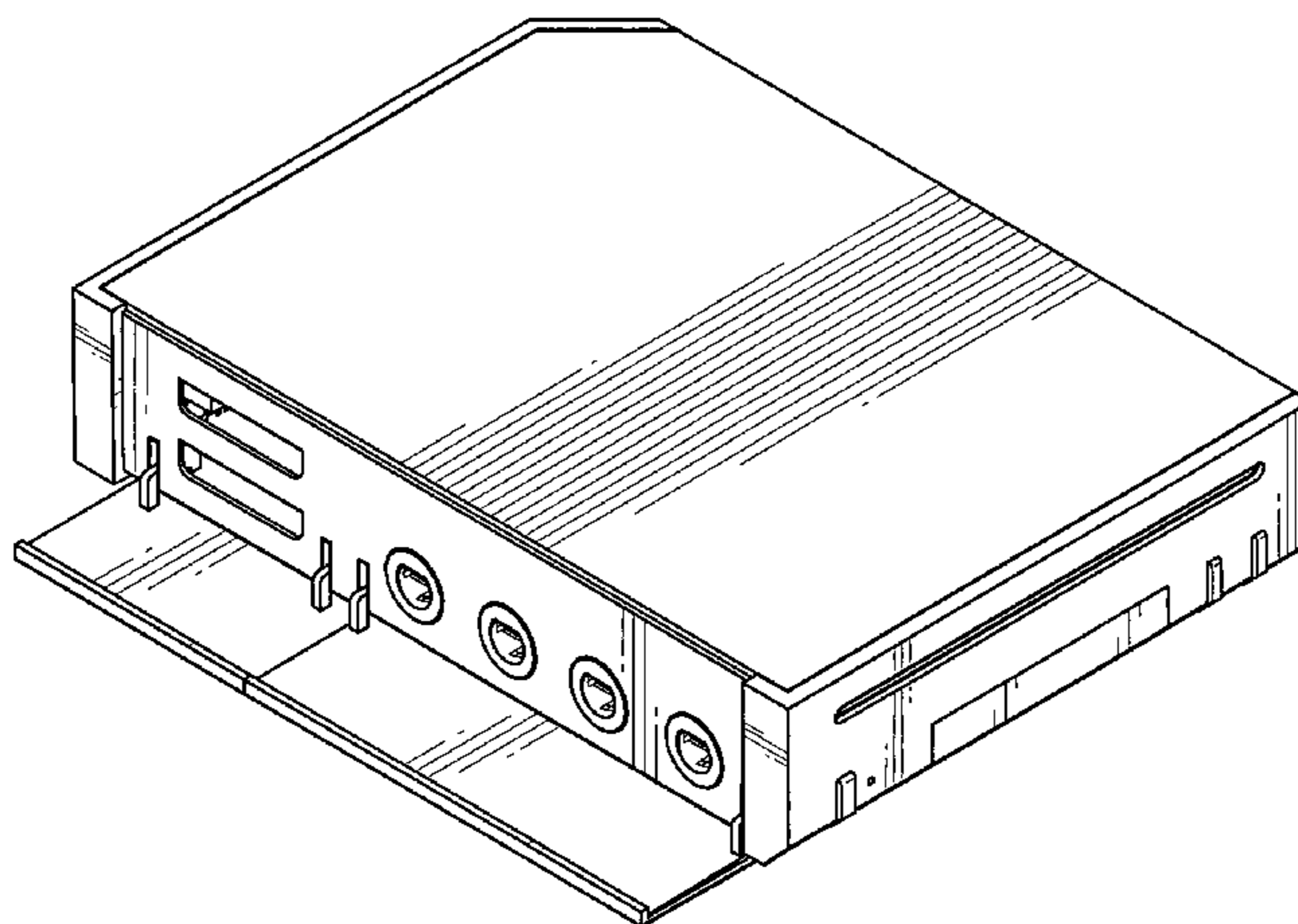
FIG. 17 is a front, top and left perspective view of the embodiment shown in FIGS. 9 through 16 in a state wherein left side covers are opened.

(56) **References Cited**

U.S. PATENT DOCUMENTS

D379,832 S 6/1997 Ashida
D407,761 S 4/1999 Barr
D412,940 S * 8/1999 Kato et al. D21/324
D419,199 S 1/2000 Cordell et al.
D419,200 S 1/2000 Ashida
D433,381 S * 11/2000 Talesfore D13/123
D460,787 S * 7/2002 Nishikawa D21/329
6,540,611 B1 * 4/2003 Nagata 463/31
6,565,444 B2 * 5/2003 Nagata et al. 463/46
6,743,104 B1 * 6/2004 Ota et al. 463/44
D495,336 S * 8/2004 Andre et al. D14/434

1 Claim, 9 Drawing Sheets



US D576,686 S

Page 2

U.S. PATENT DOCUMENTS

7,090,582 B2 *	8/2006	Danieli et al.	463/35	7,155,604 B2 *	12/2006	Kawai	713/2
D531,228 S *	10/2006	Ashida et al.	D21/332	D543,246 S *	5/2007	Ashida et al.	D21/333

* cited by examiner

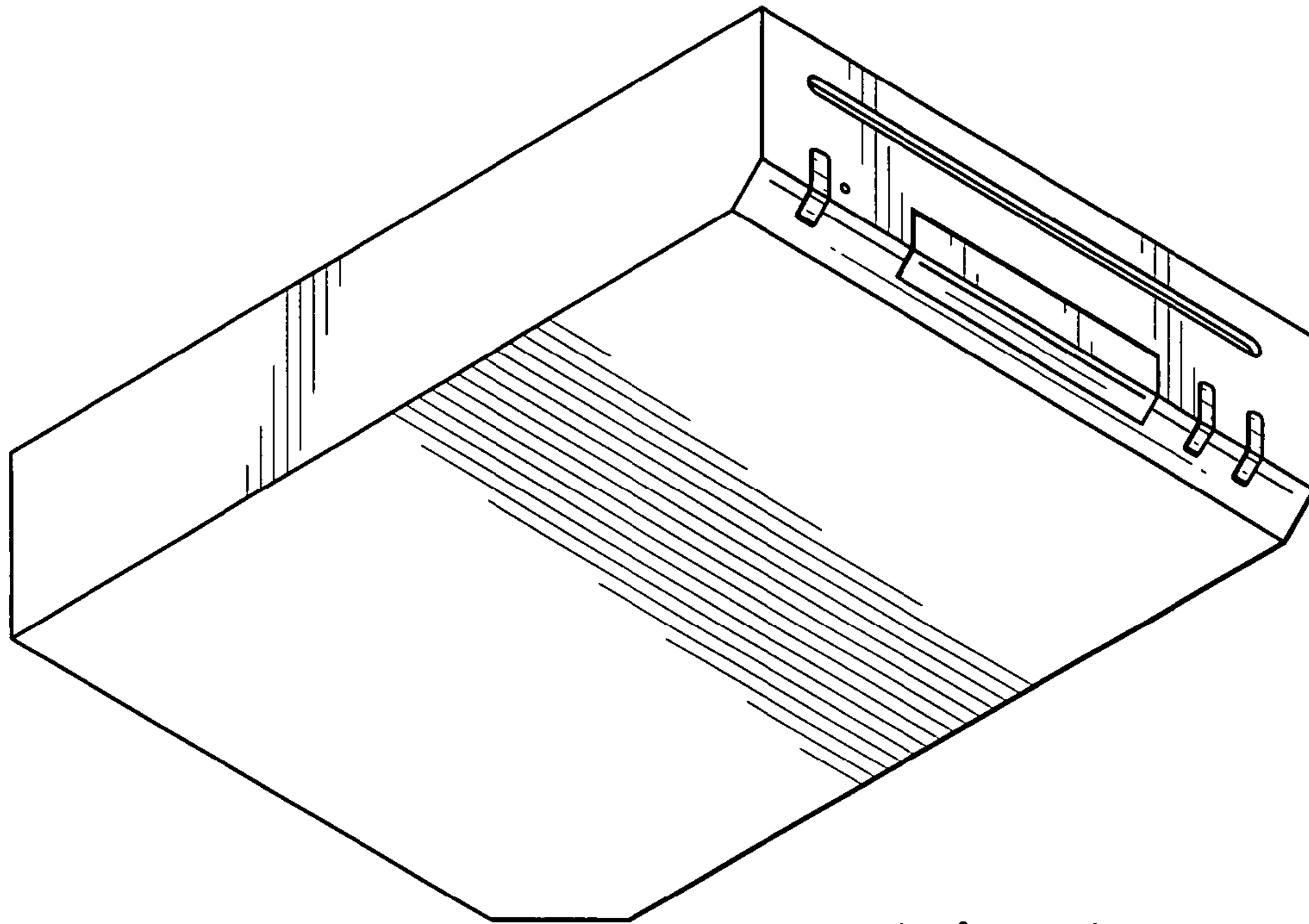


Fig. 1

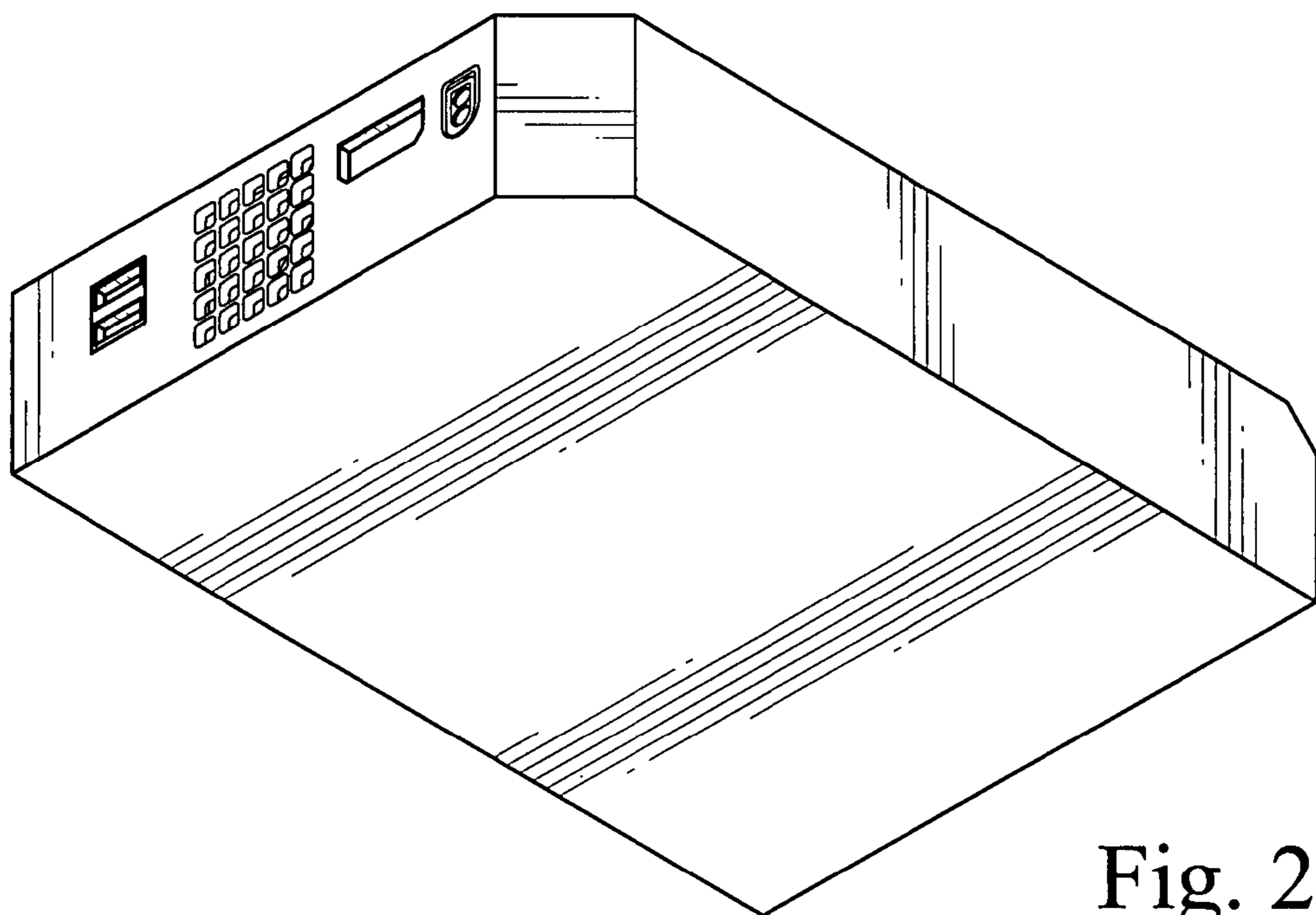


Fig. 2

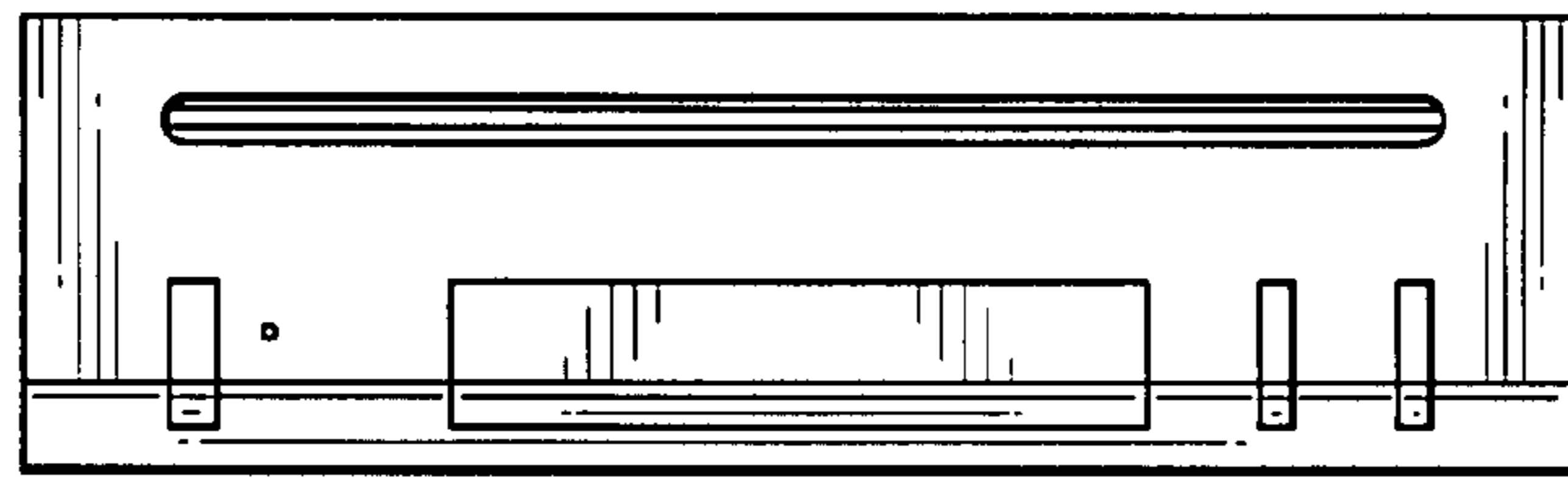


Fig. 3

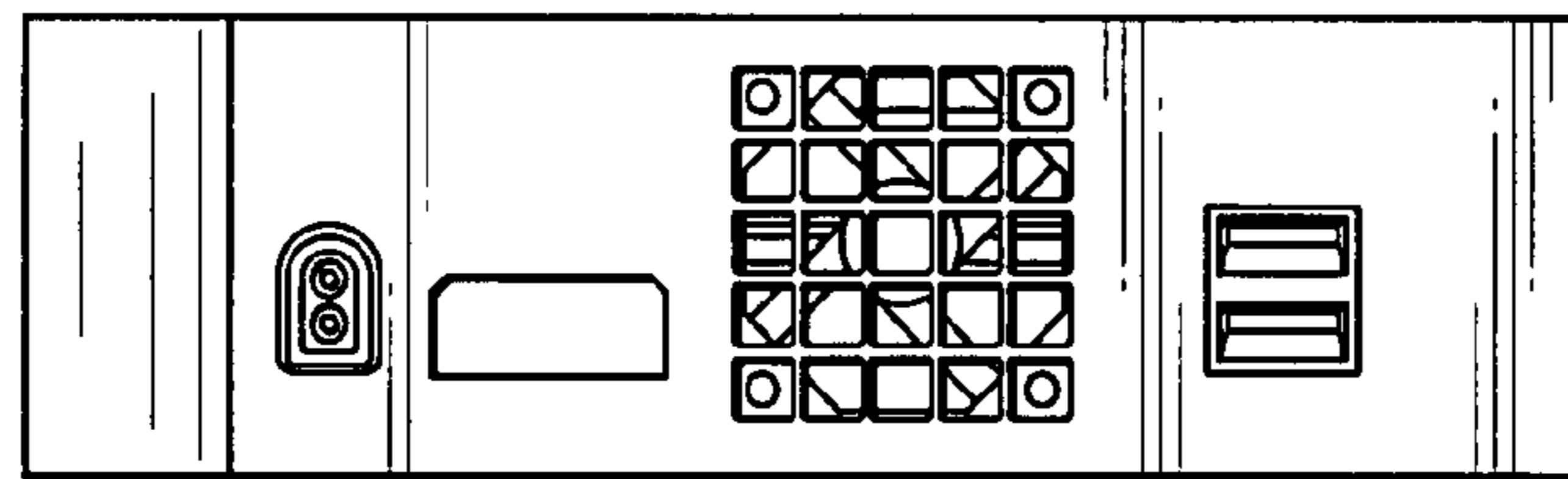


Fig. 4

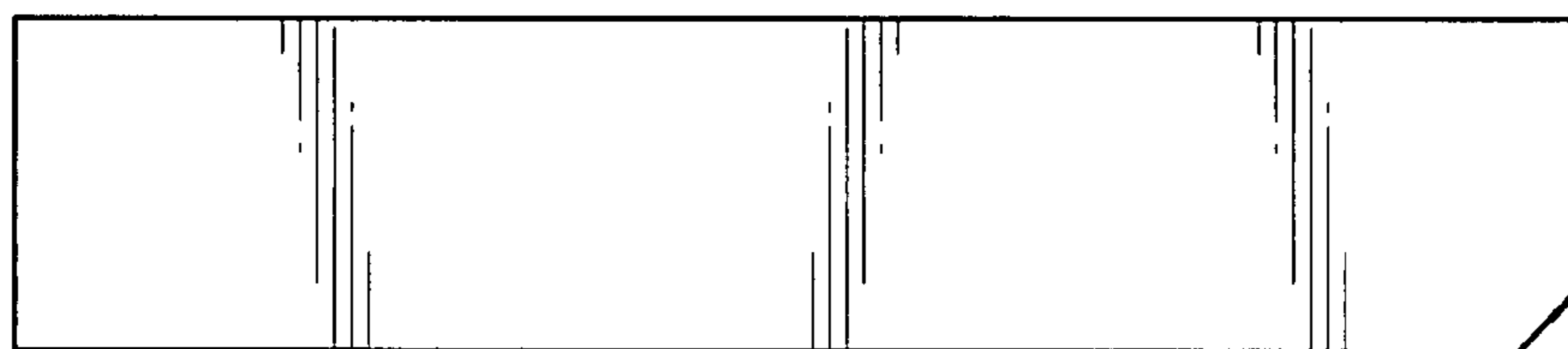


Fig. 5

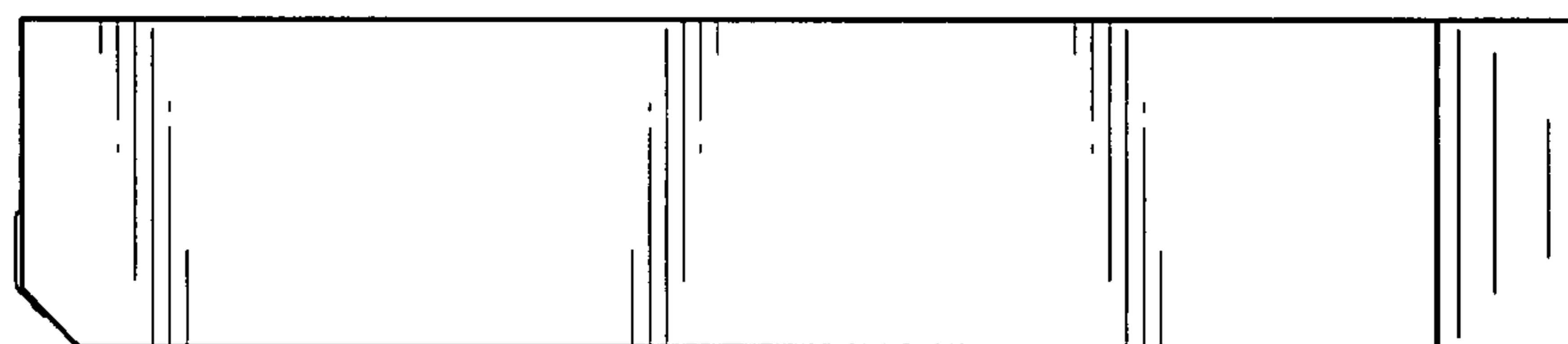


Fig. 6

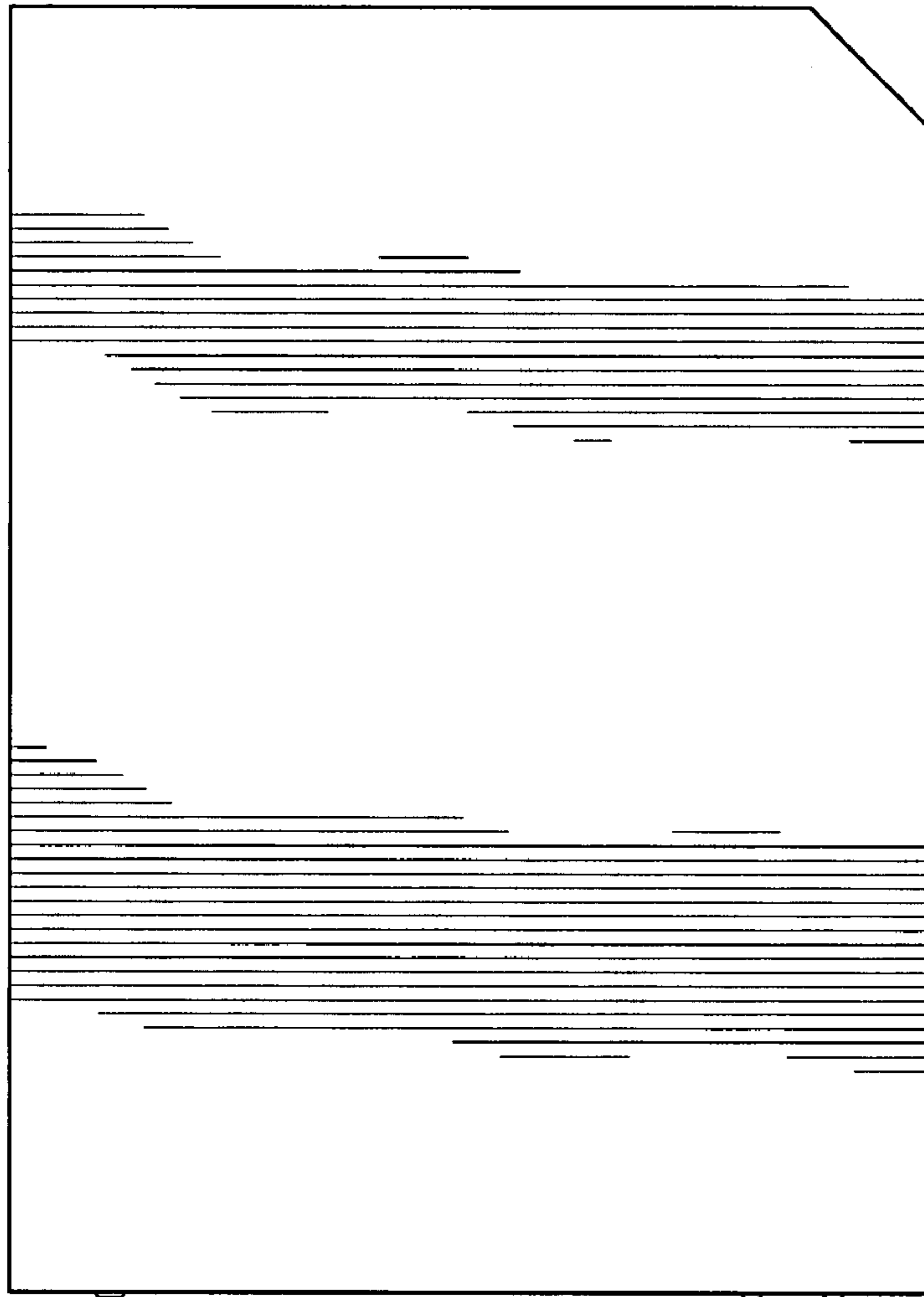


Fig. 7

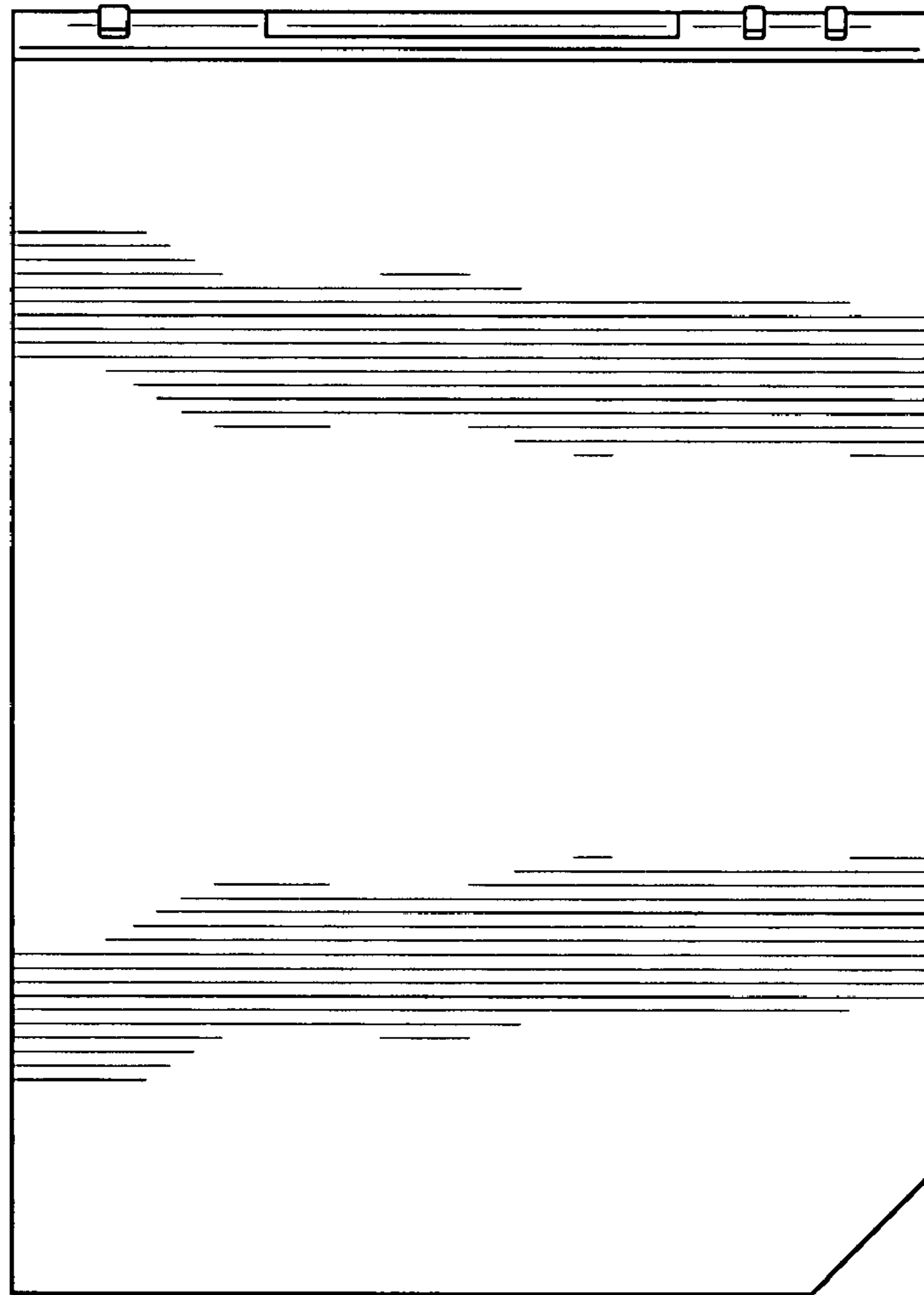


Fig. 8

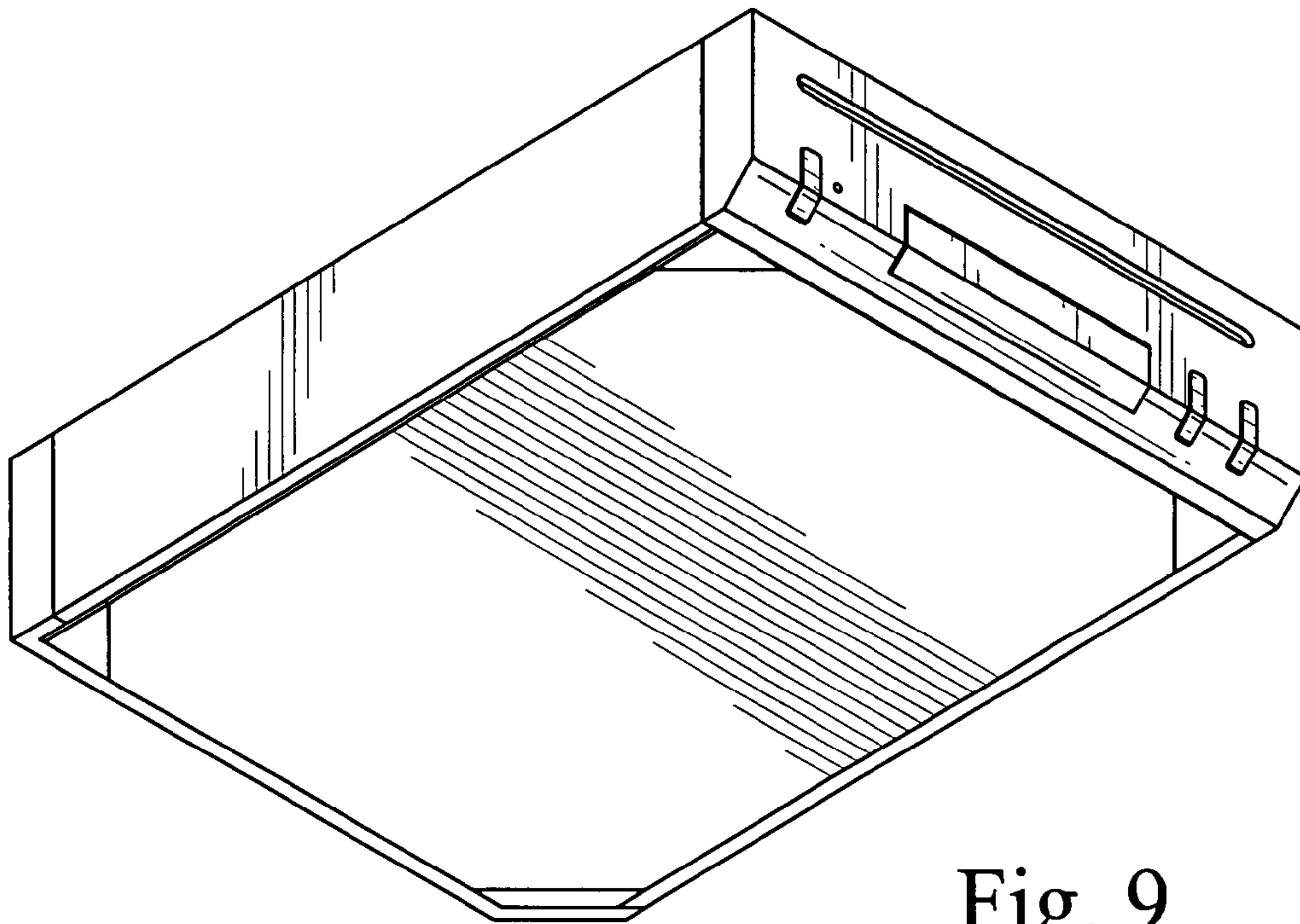


Fig. 9

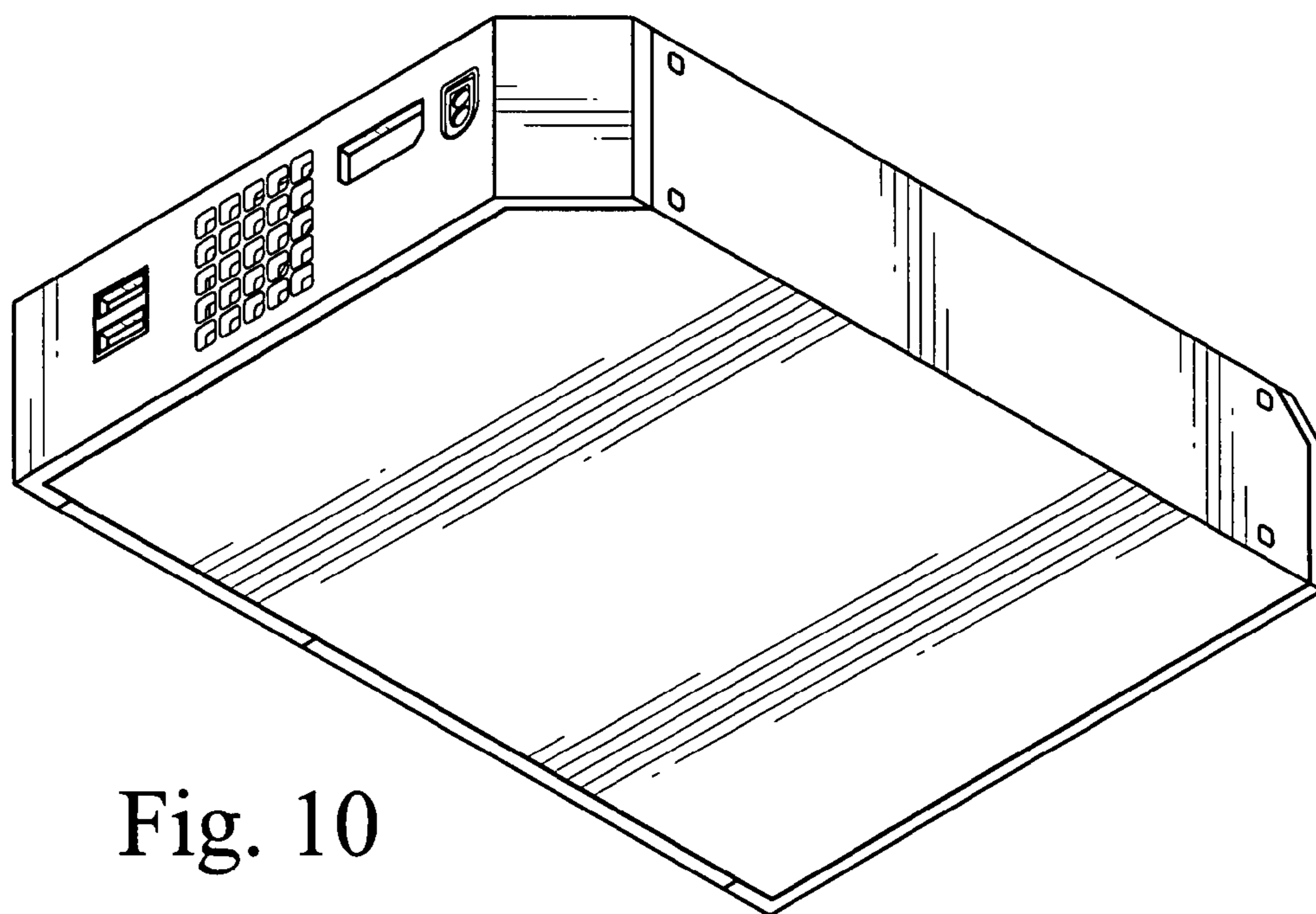


Fig. 10

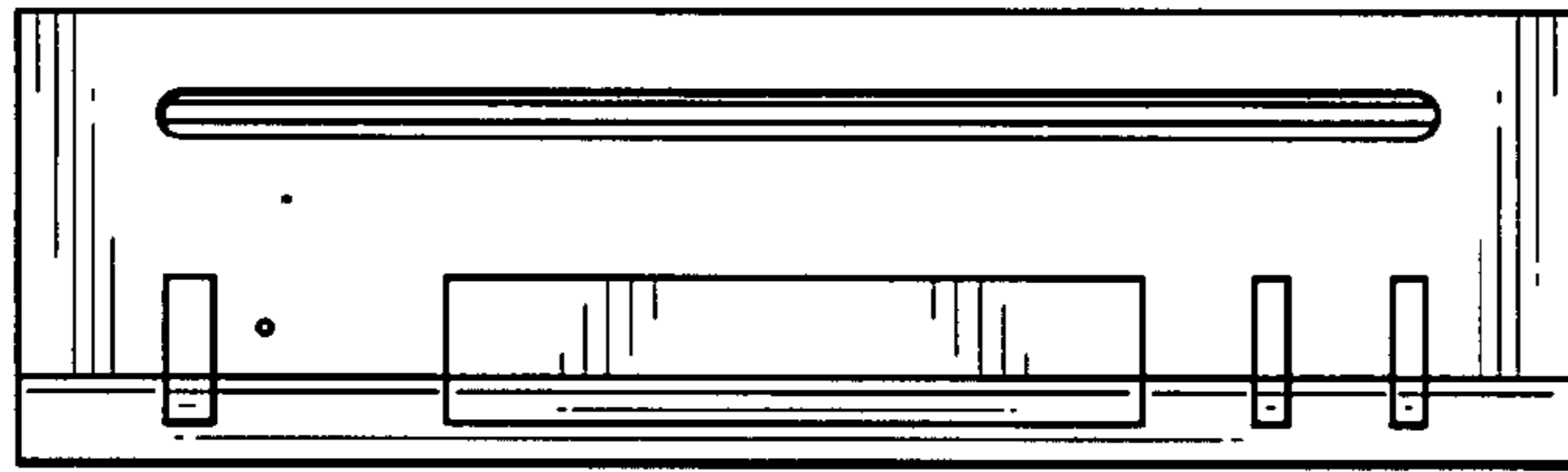


Fig. 11

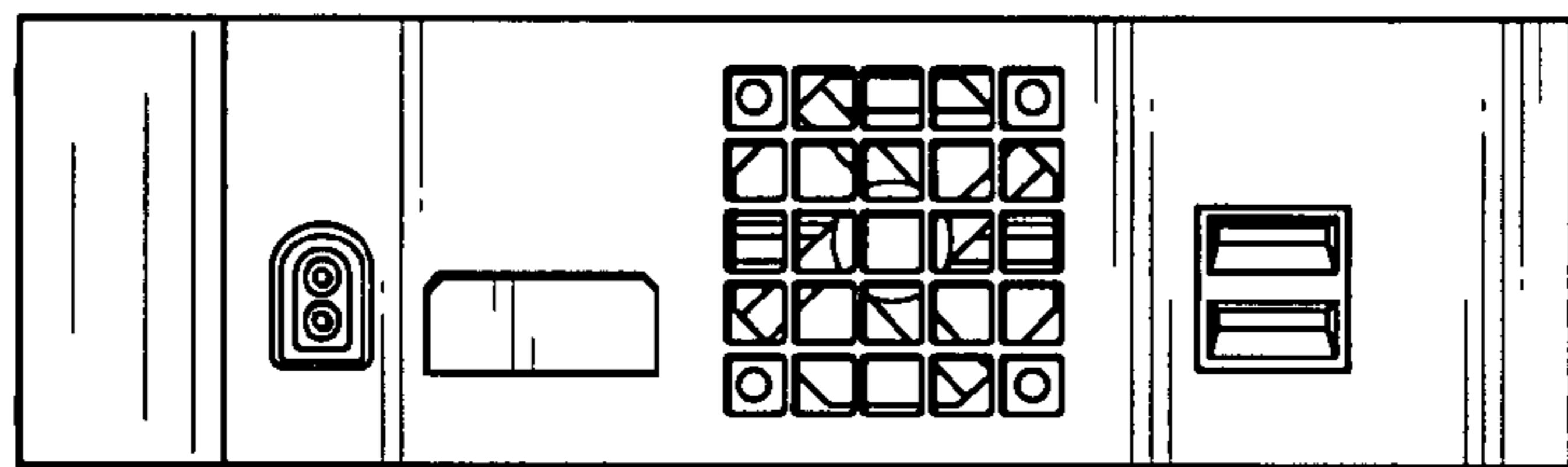


Fig. 12

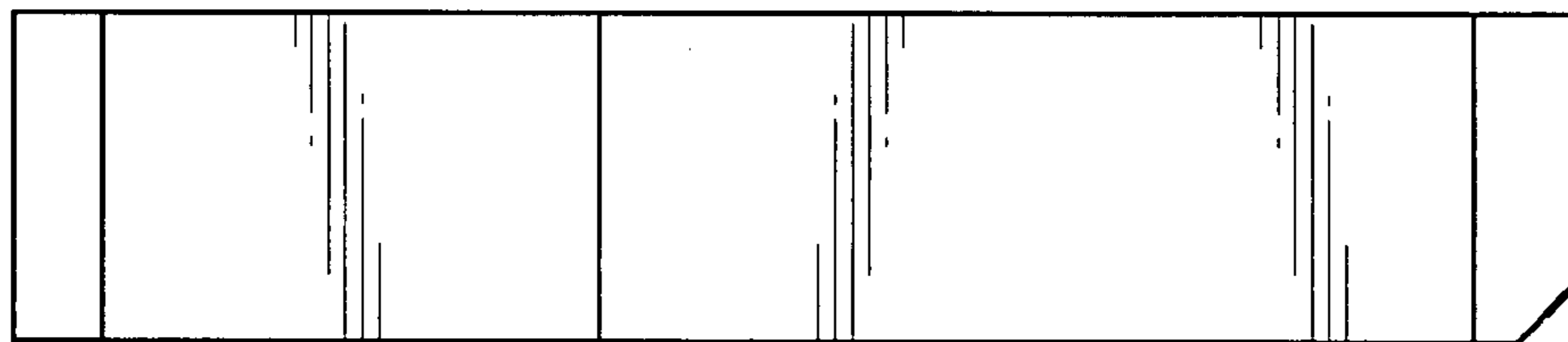


Fig. 13

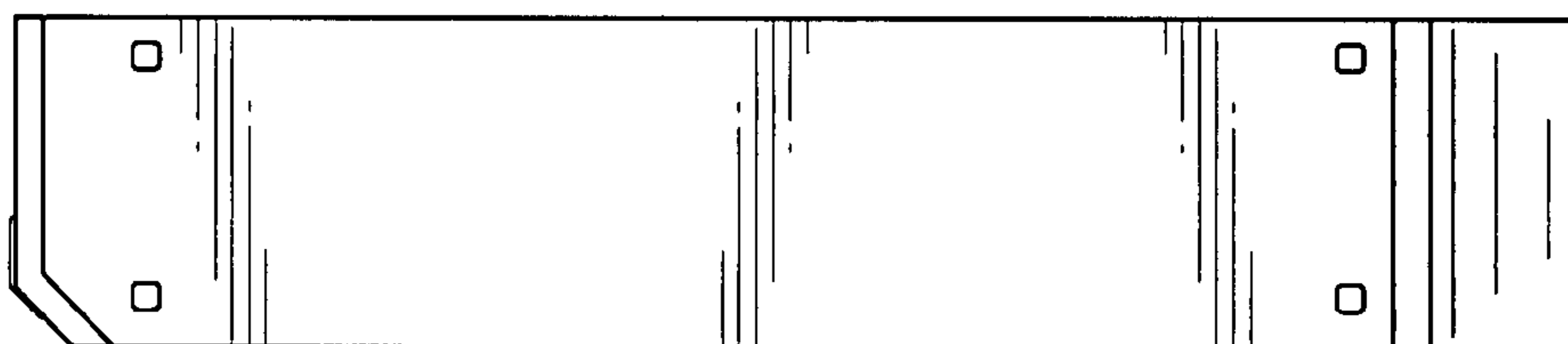


Fig. 14

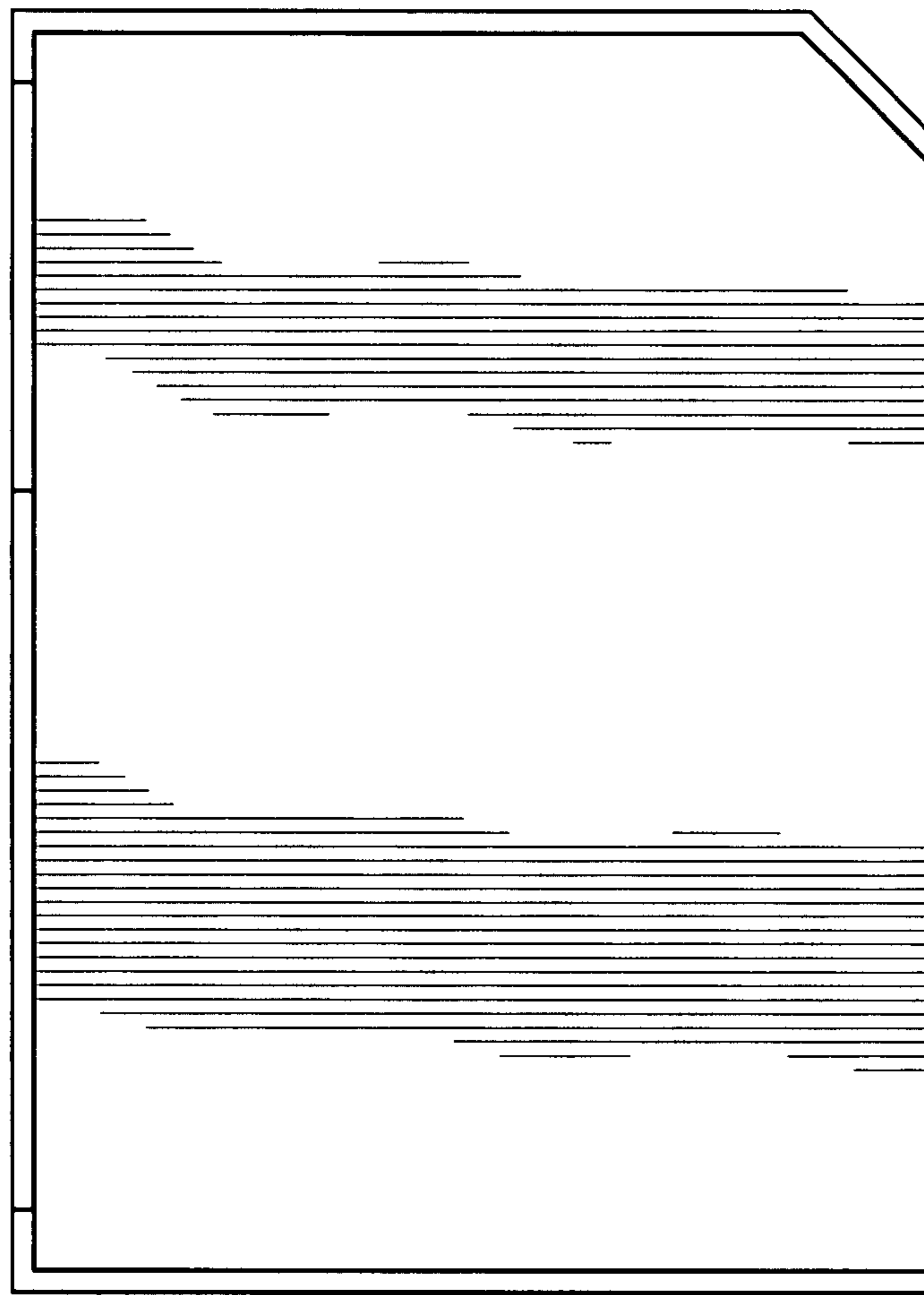


Fig. 15

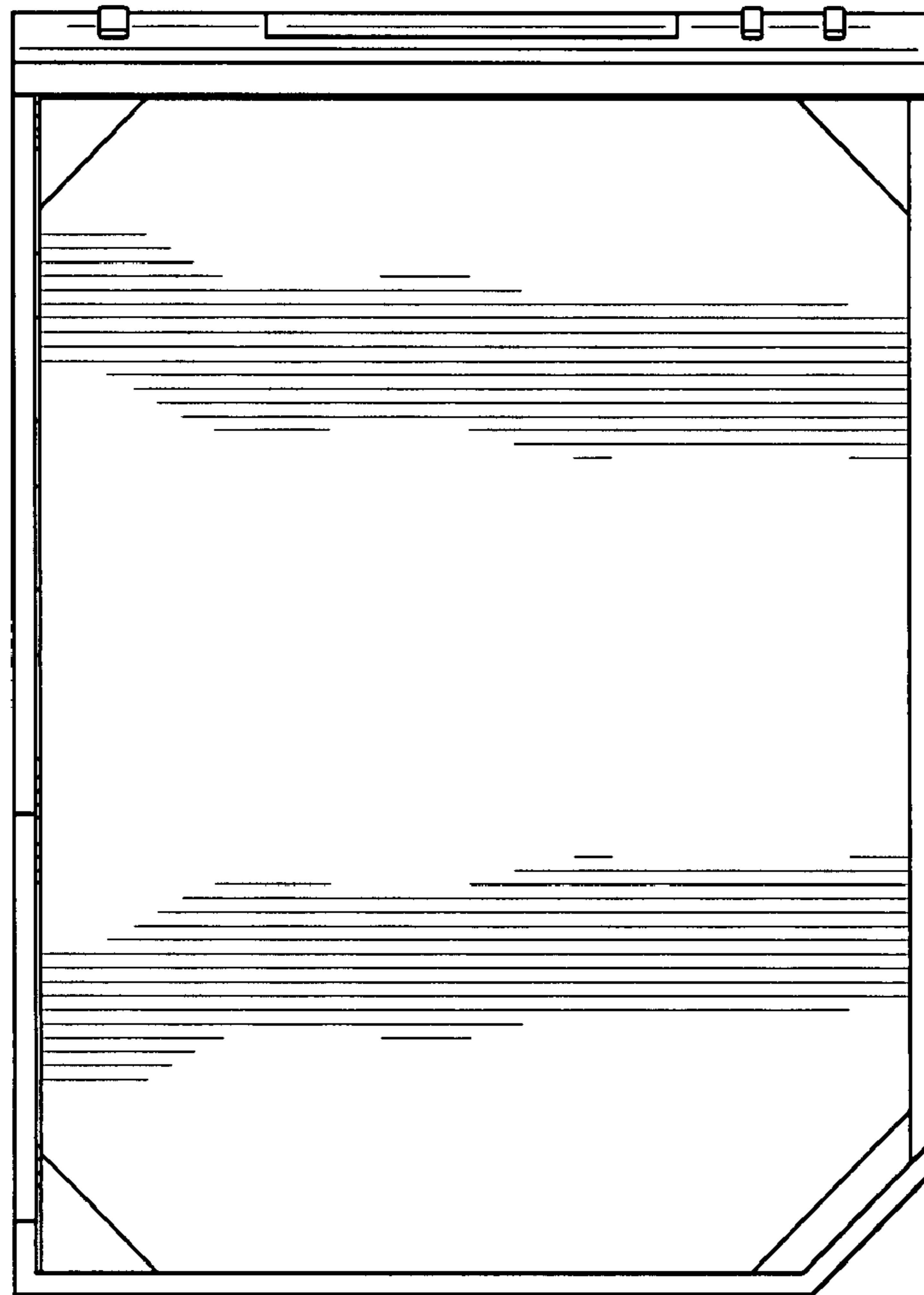


Fig. 16

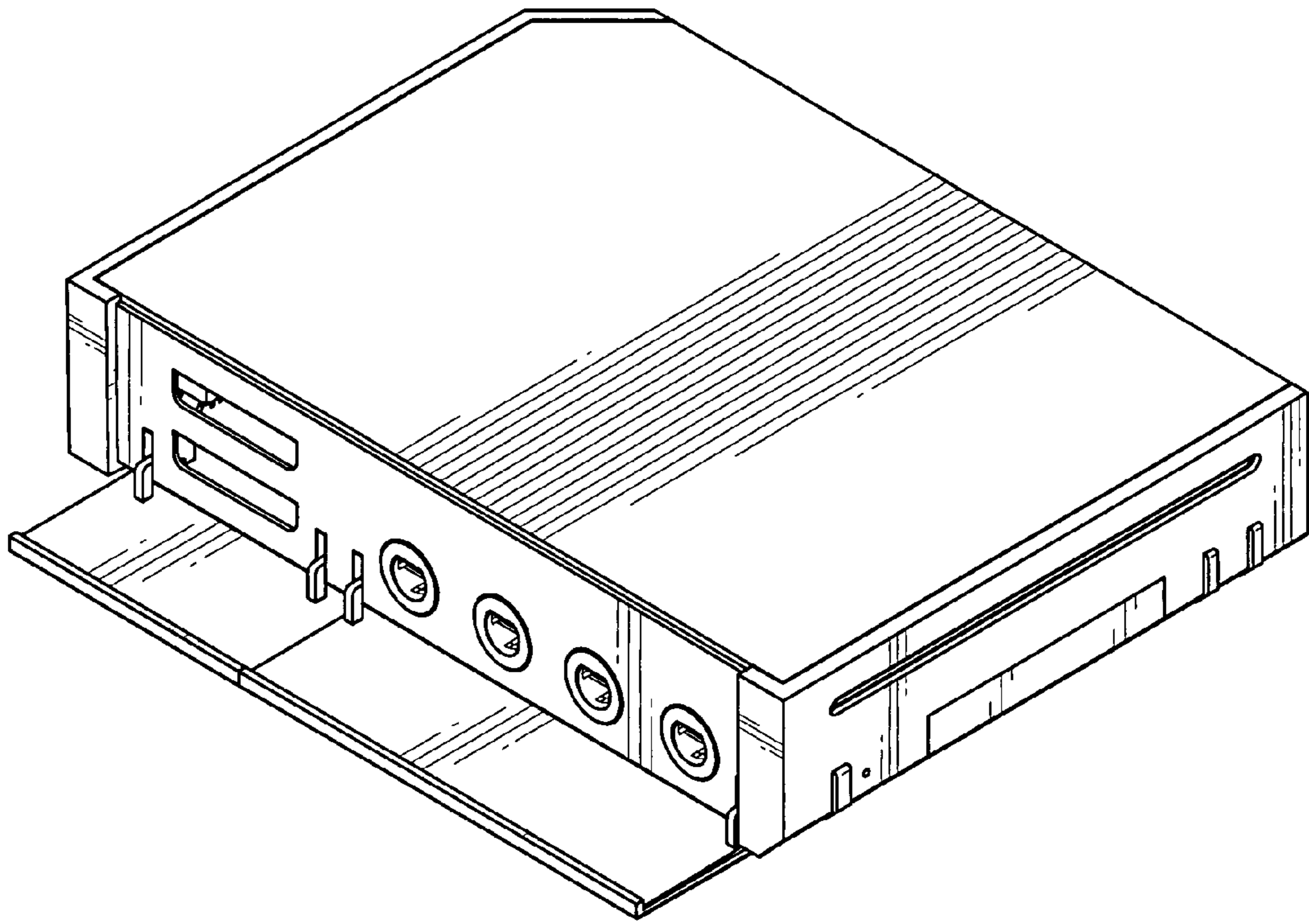


Fig. 17