



US00D576685S

(12) **United States Design Patent**  
**Queally**

(10) **Patent No.:** **US D576,685 S**

(45) **Date of Patent:** **\*\* Sep. 9, 2008**

(54) **BALL TOSS GAME**

(75) Inventor: **John James Queally**, Carmel, IN (US)

(73) Assignee: **Wild Sales, LLC**, Carmel, IN (US)

(\*\*) Term: **14 Years**

(21) Appl. No.: **29/268,529**

(22) Filed: **Nov. 7, 2006**

(51) **LOC (8) Cl.** ..... **21-01**

(52) **U.S. Cl.** ..... **D21/302**

(58) **Field of Classification Search** ..... D21/300–304,  
D21/309, 435, 465, 712, 699, 318; 273/331,  
273/332–335, 348, 407, 343, 317.3; 473/575,  
473/576, 514, 476, 577, 454  
See application file for complete search history.

(56) **References Cited**

**U.S. PATENT DOCUMENTS**

|           |     |         |                    |         |
|-----------|-----|---------|--------------------|---------|
| 1,677,442 | A   | 7/1928  | Hall               |         |
| 2,797,924 | A   | 7/1957  | Stewart            |         |
| 3,575,415 | A   | 4/1971  | Fulp et al.        |         |
| 3,685,826 | A   | 8/1972  | Lehman             |         |
| 3,701,531 | A   | 10/1972 | Bowers             |         |
| 3,717,348 | A   | 2/1973  | Bowers             |         |
| 3,908,992 | A * | 9/1975  | Cunningham et al.  | 473/477 |
| 4,395,042 | A   | 7/1983  | Boswell            |         |
| D324,554  | S * | 3/1992  | McKinney           | D21/699 |
| 5,165,694 | A   | 11/1992 | Kraushaar          |         |
| 5,294,129 | A   | 3/1994  | Brown              |         |
| D347,033  | S * | 5/1994  | Moretz             | D21/699 |
| 5,513,843 | A * | 5/1996  | Russell            | 473/416 |
| 5,785,618 | A   | 7/1998  | Coleman et al.     |         |
| 5,803,841 | A   | 9/1998  | Daskoski           |         |
| D410,699  | S * | 6/1999  | Herlitz et al.     | D21/318 |
| 5,941,529 | A   | 8/1999  | Kinsey             |         |
| 6,135,456 | A   | 10/2000 | Cooper             |         |
| 6,220,976 | B1  | 4/2001  | Kaiser et al.      |         |
| 6,308,956 | B1  | 10/2001 | Reid               |         |
| 6,808,175 | B1  | 10/2004 | Gleeson            |         |
| D500,105  | S * | 12/2004 | Szarolletta et al. | D21/699 |
| 6,889,982 | B1  | 5/2005  | Gove               |         |
| 6,945,885 | B2  | 9/2005  | Snider             |         |

|              |      |         |             |         |
|--------------|------|---------|-------------|---------|
| 7,014,578    | B1   | 3/2006  | Brodeur     |         |
| D529,968     | S    | 10/2006 | Frankel     |         |
| 2002/0084588 | A1   | 7/2002  | Lynch       |         |
| 2002/0125644 | A1   | 9/2002  | Knudson     |         |
| 2002/0183139 | A1 * | 12/2002 | Pehr        | 473/415 |
| 2003/0144091 | A1 * | 7/2003  | Dickson     | 473/477 |
| 2004/0135318 | A1   | 7/2004  | Long et al. |         |
| 2006/0166598 | A1 * | 7/2006  | Hoch        | 446/397 |

**OTHER PUBLICATIONS**

Complaint (Patent Infringement, Trademark Infringement, Trademark Counterfeiting, False Advertising, UTPA, Unfair Competition, Breach of Contract) in the matter of *Tailgate Nation, Inc., et al. v. Top Marketing USA, et al.*; U.S.D.C. for the District of Oregon, Civil Action File No. 08-cv-167(AA), filed on Feb. 8, 2008.

\* cited by examiner

*Primary Examiner*—Prabhakar Deshmukh  
(74) *Attorney, Agent, or Firm*—Duane Morris LLP

(57) **CLAIM**

The ornamental design for a ball toss game, as shown and described.

**DESCRIPTION**

FIG. 1 is a perspective view of the ball toss game showing the new design.

FIG. 2 is a front elevational view of the ball toss game as shown in FIG. 1.

FIG. 3 is a right side elevational view of the ball toss game as shown in FIG. 1, the left side view being a mirror image of the right side view.

FIG. 4 is a top view of the ball toss game as shown in FIG. 1; and,

FIG. 5 is a bottom view of the ball toss game as shown in FIG. 1.

Features shown in dashed lines immediately adjacent the shaded areas or adjacent the solid lines represent the bounds of the claim and all other dashed lines are for illustrative purposes only. None of the dashed lines form a part of the claimed design.

**1 Claim, 3 Drawing Sheets**

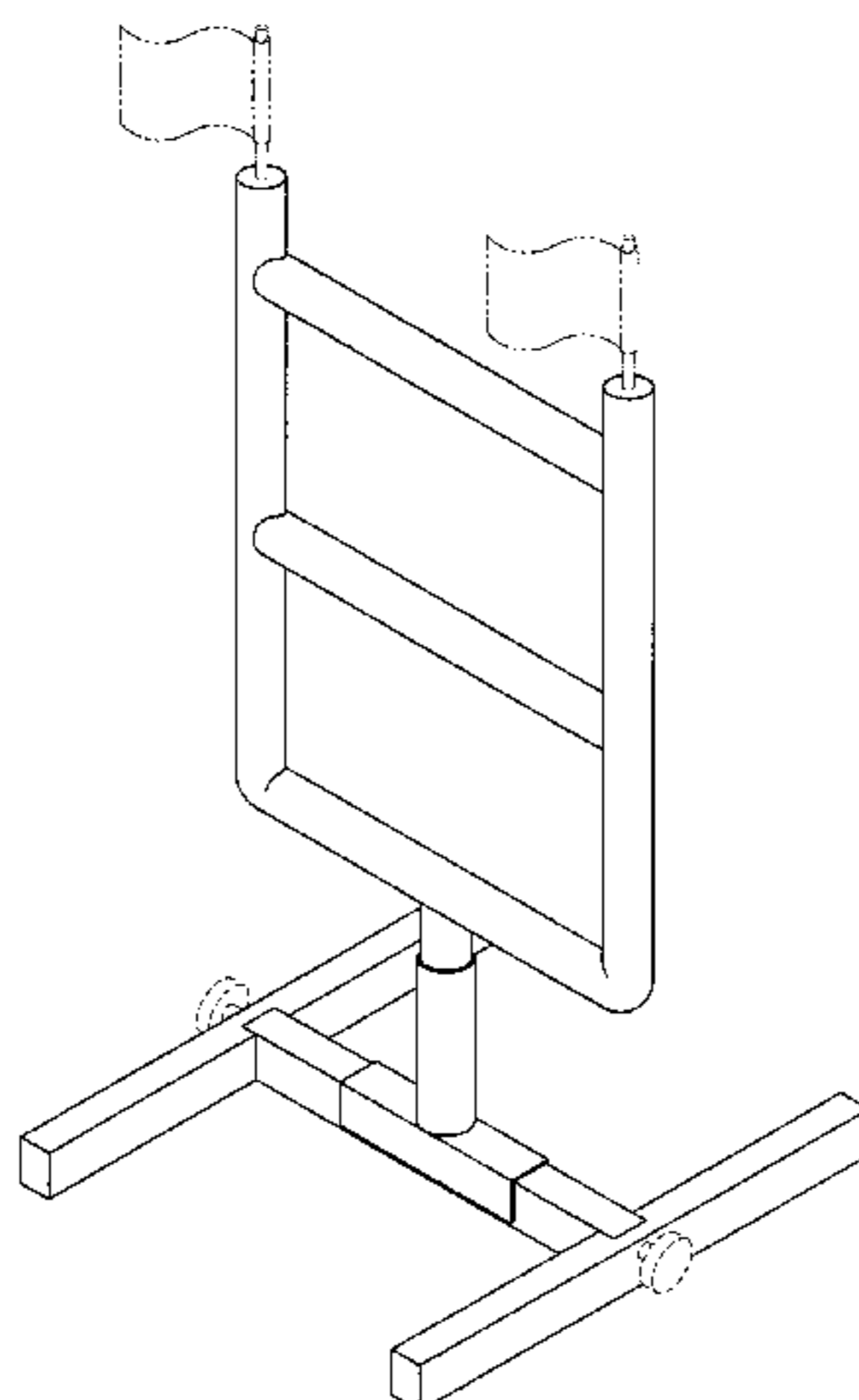


FIG. 1

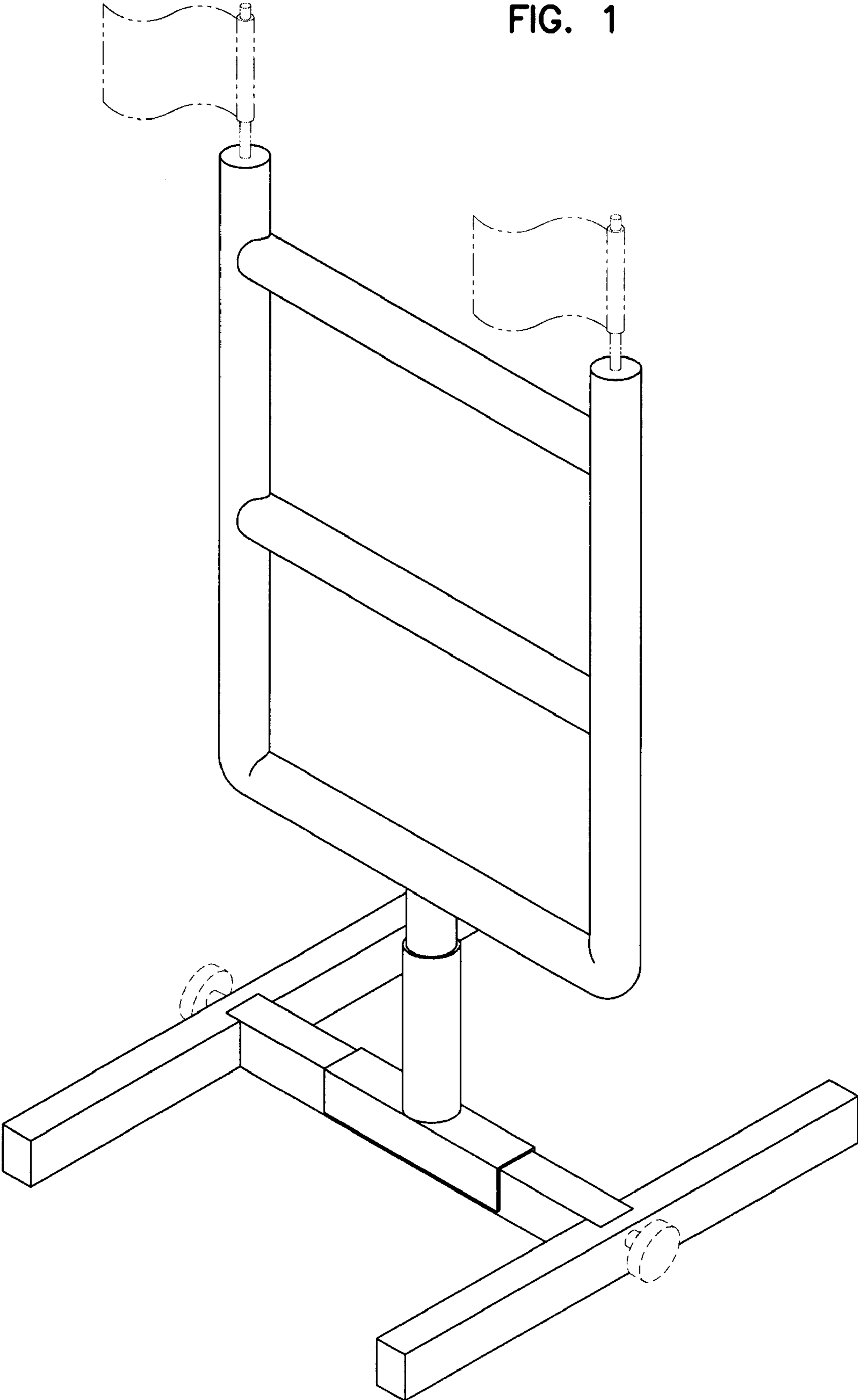


FIG. 3

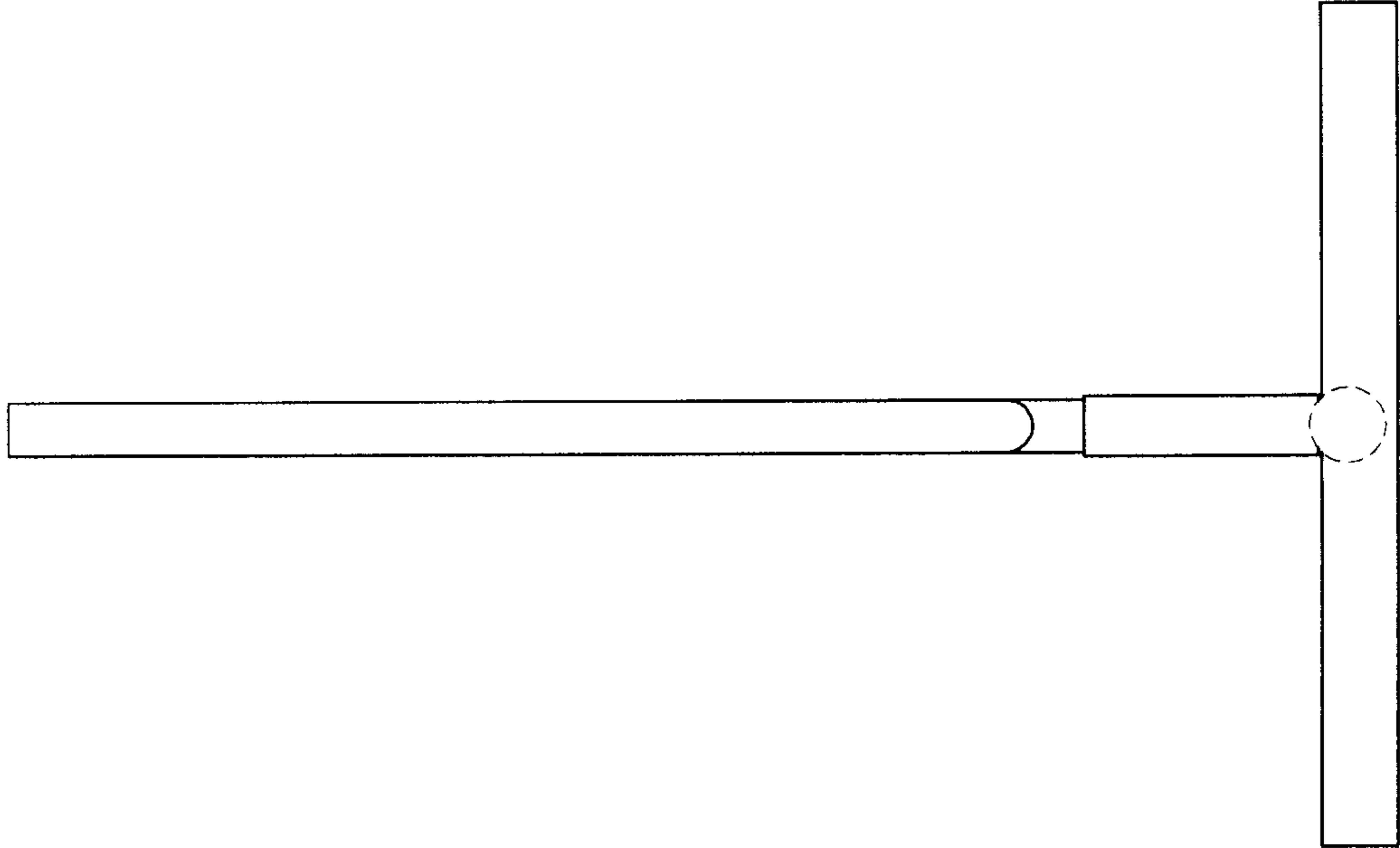


FIG. 2

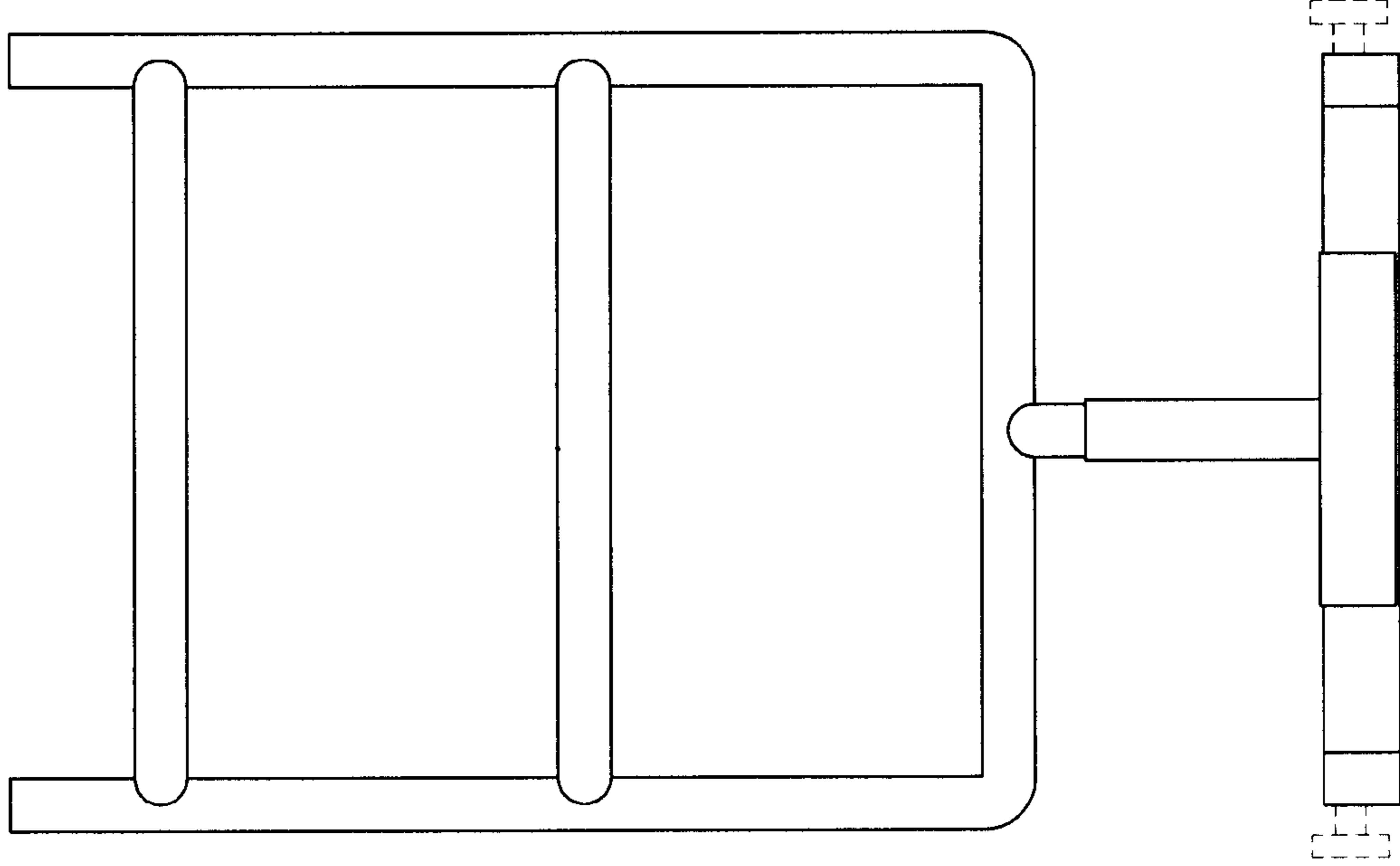


FIG. 4

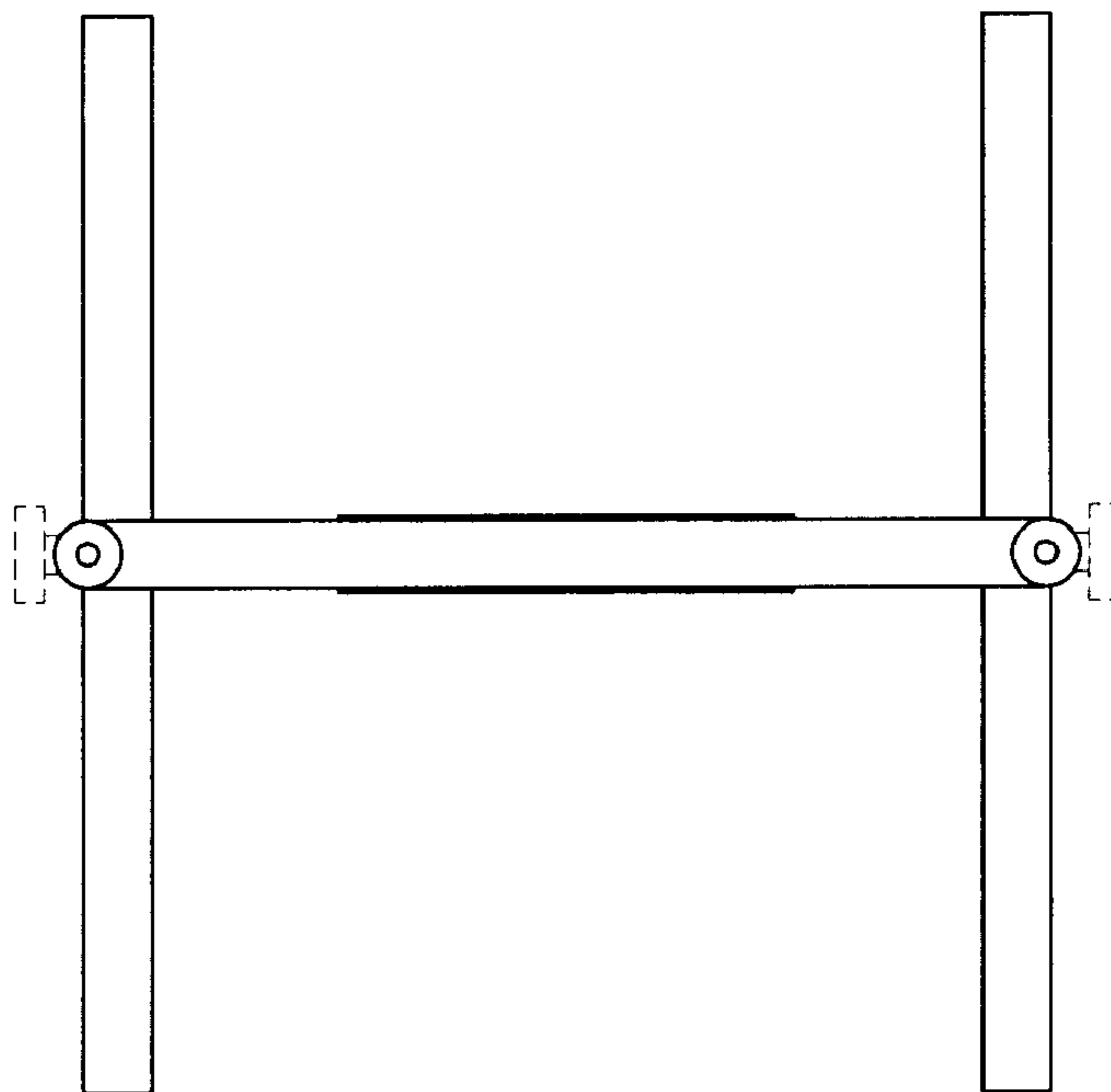


FIG. 5

