



US00D576683S

(12) **United States Design Patent**
Frey

(10) **Patent No.:** **US D576,683 S**
(45) **Date of Patent:** **** Sep. 9, 2008**

(54) **PORTABLE DISPLAY ASSEMBLY**

2006/0107571 A1* 5/2006 Steer 40/606.12

(75) Inventor: **Bob Frey**, Salt Lake City, UT (US)

(73) Assignee: **Moss Inc.**, Belfast, ME (US)

(**) Term: **14 Years**

(21) Appl. No.: **29/247,916**

(22) Filed: **Jul. 19, 2006**

(51) **LOC (8) Cl.** **20-02**

(52) **U.S. Cl.** **D20/10**

(58) **Field of Classification Search** D20/10,
D20/12, 19, 39, 41, 43, 99; 40/1, 341, 388,
40/446, 486, 530, 541, 584, 603-605, 606.01,
40/606.1, 606.12, 606.16, 610, 624, 738;
283/56, 81; D6/332, 396, 491; 248/127,
248/165, 176.1; D26/103; 52/36.4, 71
See application file for complete search history.

(56) **References Cited**

U.S. PATENT DOCUMENTS

2,005,134	A *	6/1935	Noble	40/603
5,619,816	A *	4/1997	Ellison	40/738
6,012,688	A *	1/2000	LaMotte	248/165
D449,169	S *	10/2001	Bennie et al.	D6/332
6,457,684	B1 *	10/2002	McKendry	248/127
6,625,913	B1 *	9/2003	Prade	40/738
6,988,695	B2 *	1/2006	Burriss	248/165
D525,460	S *	7/2006	Nobles et al.	D6/491
2005/0017137	A1 *	1/2005	Burriss	248/165

OTHER PUBLICATIONS

Nichols Entasi Fabric Tension Display—Niketown.com Display, Feb. 2, 2005—nicholsinc.net, http://web.archive.org/web/20050206004742/nicholsinc.net/fabric/brooth_4.asp.*

Nichols Entasi Fabric Tension Display—Compaq Display, Feb. 2, 2005—nicholsinc.net, http://web.archive.org/web/2005206024004/nicholsinc.net/fabric/brooth_11.asp.*

Nichols Entasi Fabric Tension Display—Harley-Davidson Display, Feb. 2, 2005—nicholsinc.net, <http://web.archive.org/web/20050205210608/nicholsinc.net/ideaGallery/entasi.asp> (6 pages).*

* cited by examiner

Primary Examiner—Janice E. Seeger

Assistant Examiner—Mary Ann Calabrese

(74) *Attorney, Agent, or Firm*—Jones Day

(57) **CLAIM**

I claim the ornamental design for a portable display assembly, as shown and described.

DESCRIPTION

FIG. 1 is a front side perspective view of the portable display assembly, showing my new design;

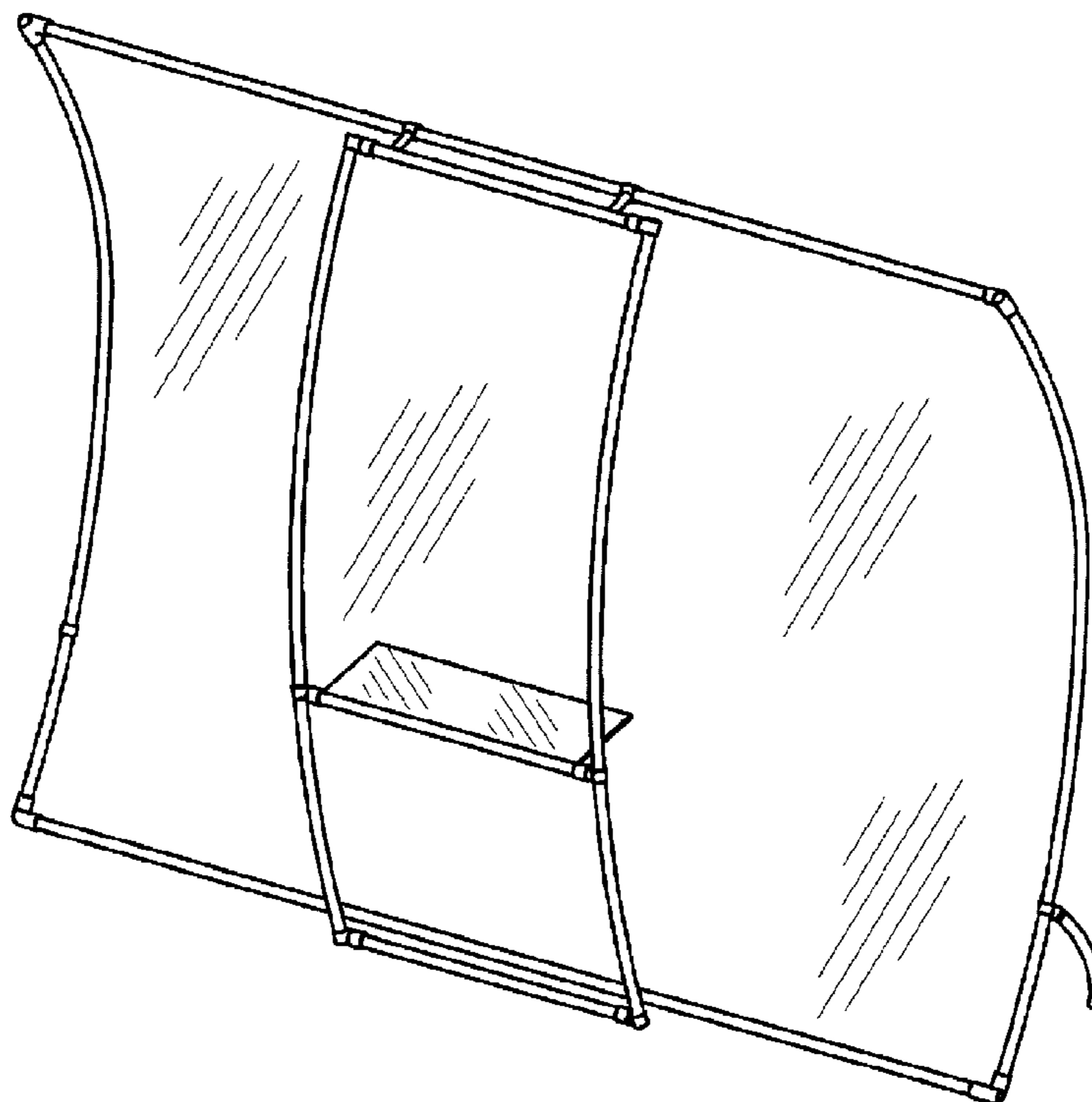
FIG. 2 is a front elevational view thereof;

FIG. 3 is an enlarged side elevational view thereof;

FIG. 4 is an opposite side elevational view thereof; and,

FIG. 5 is a top plan view thereof.

1 Claim, 2 Drawing Sheets



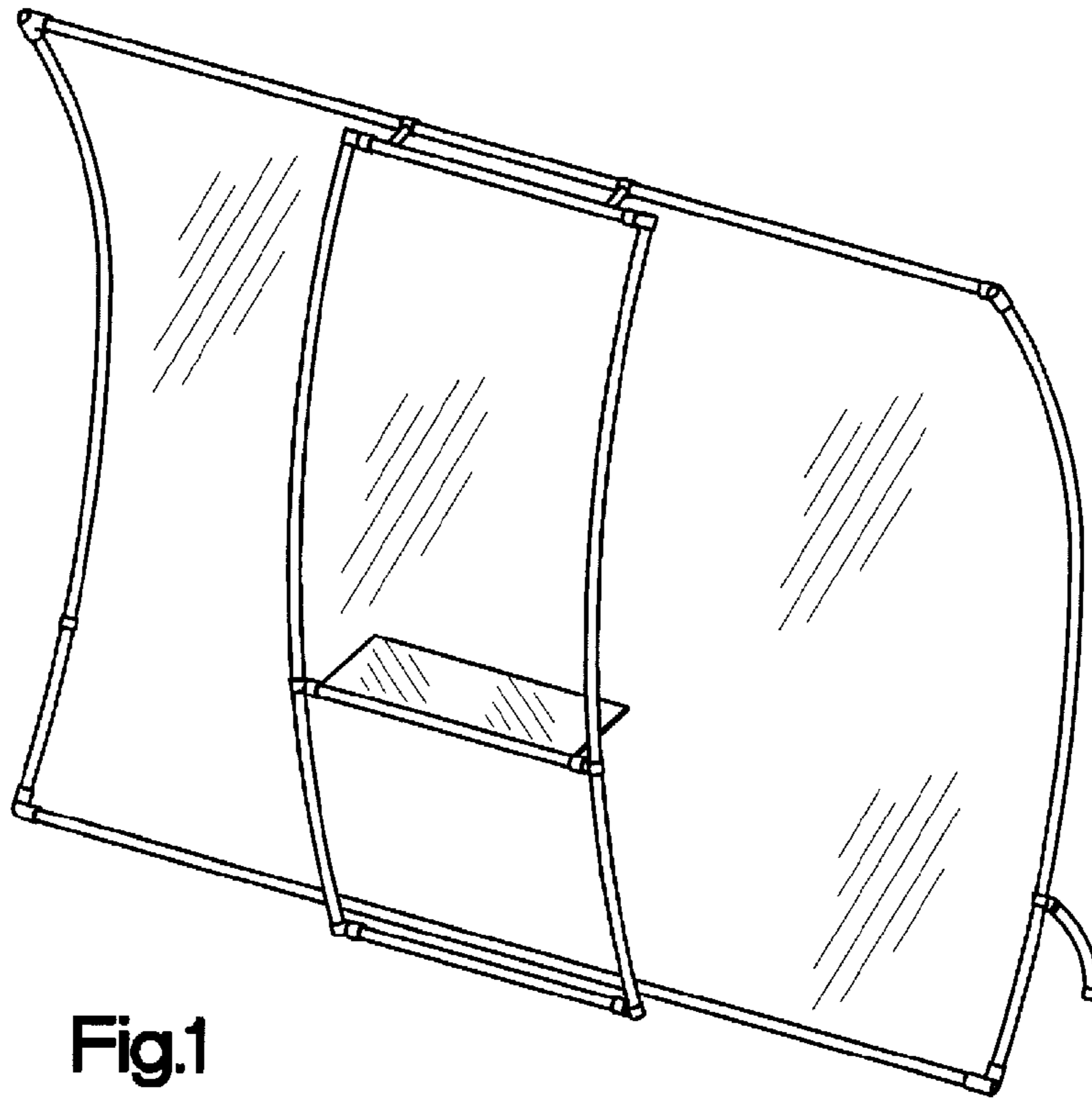


Fig.1

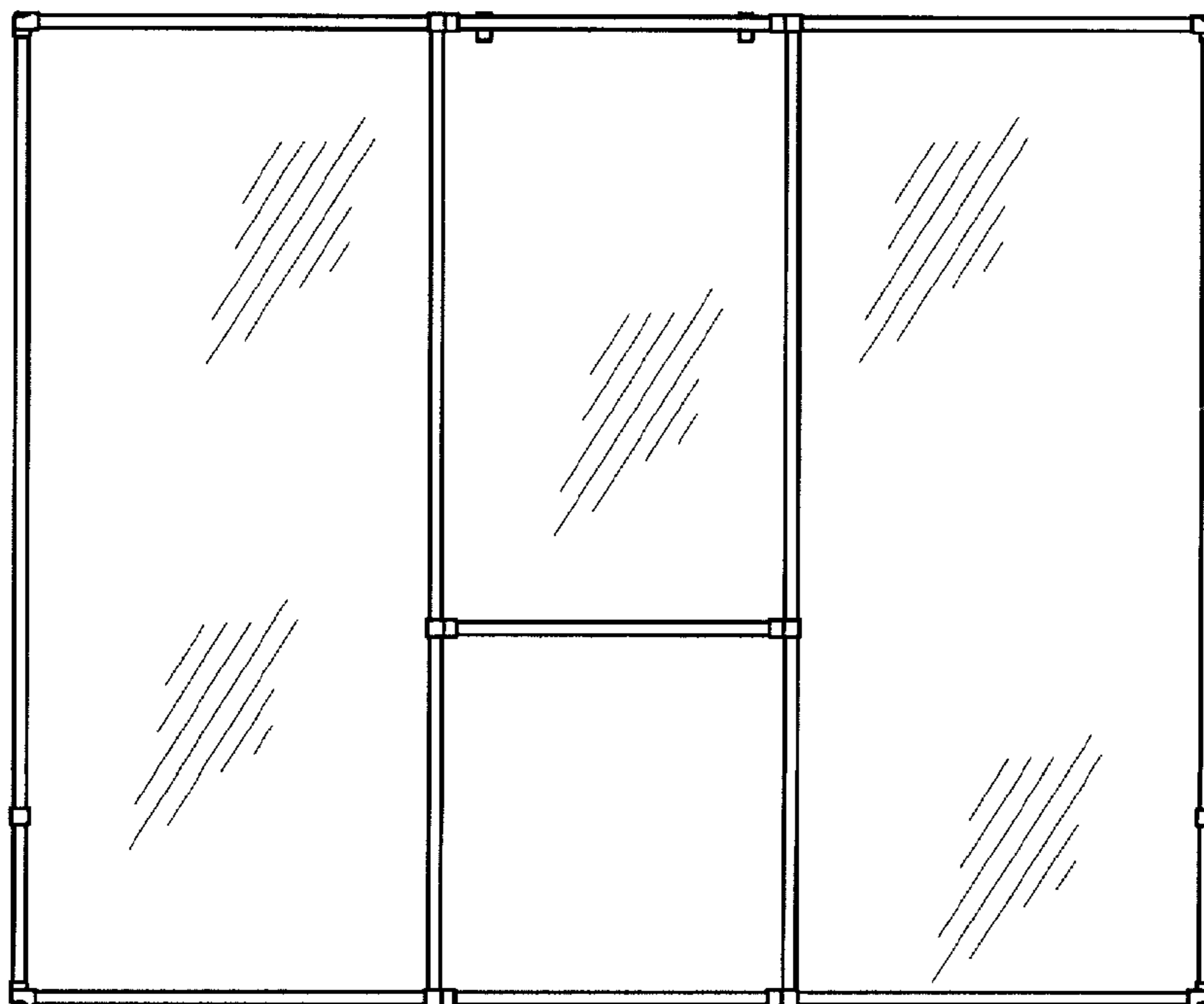


Fig.2

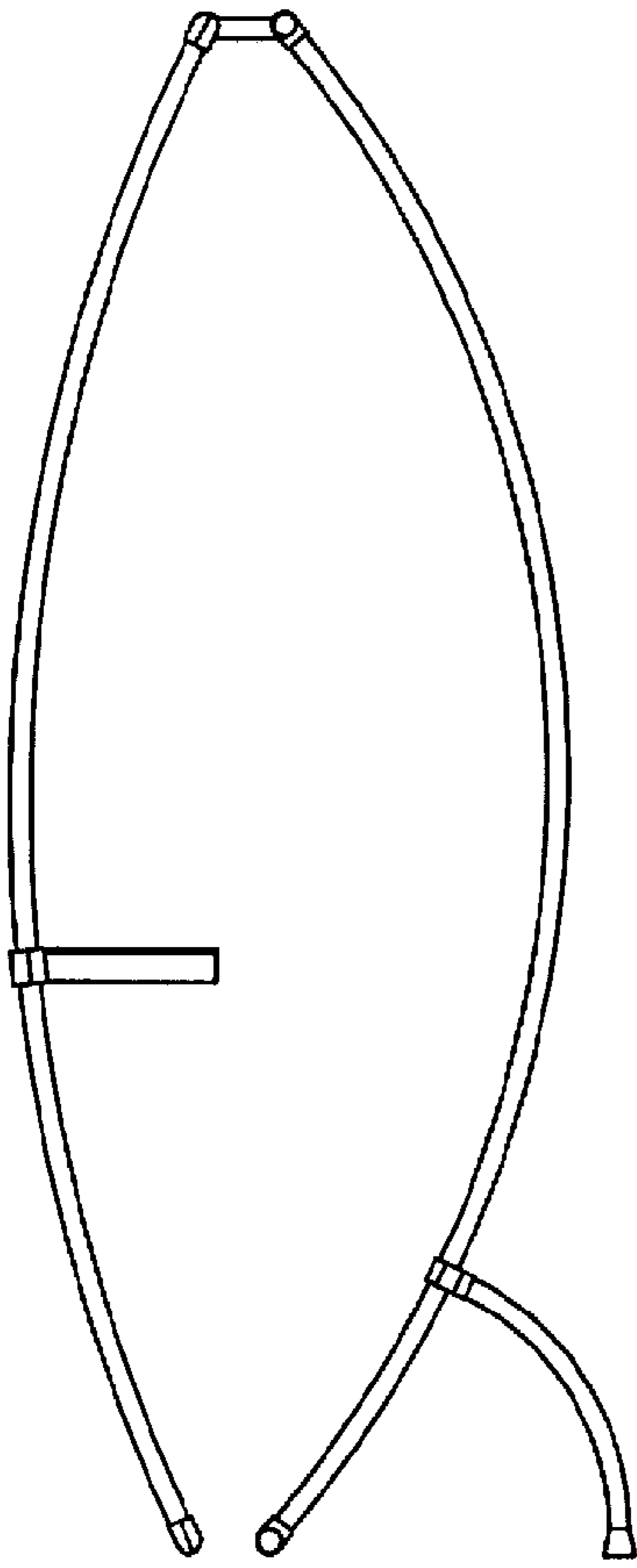


Fig.3

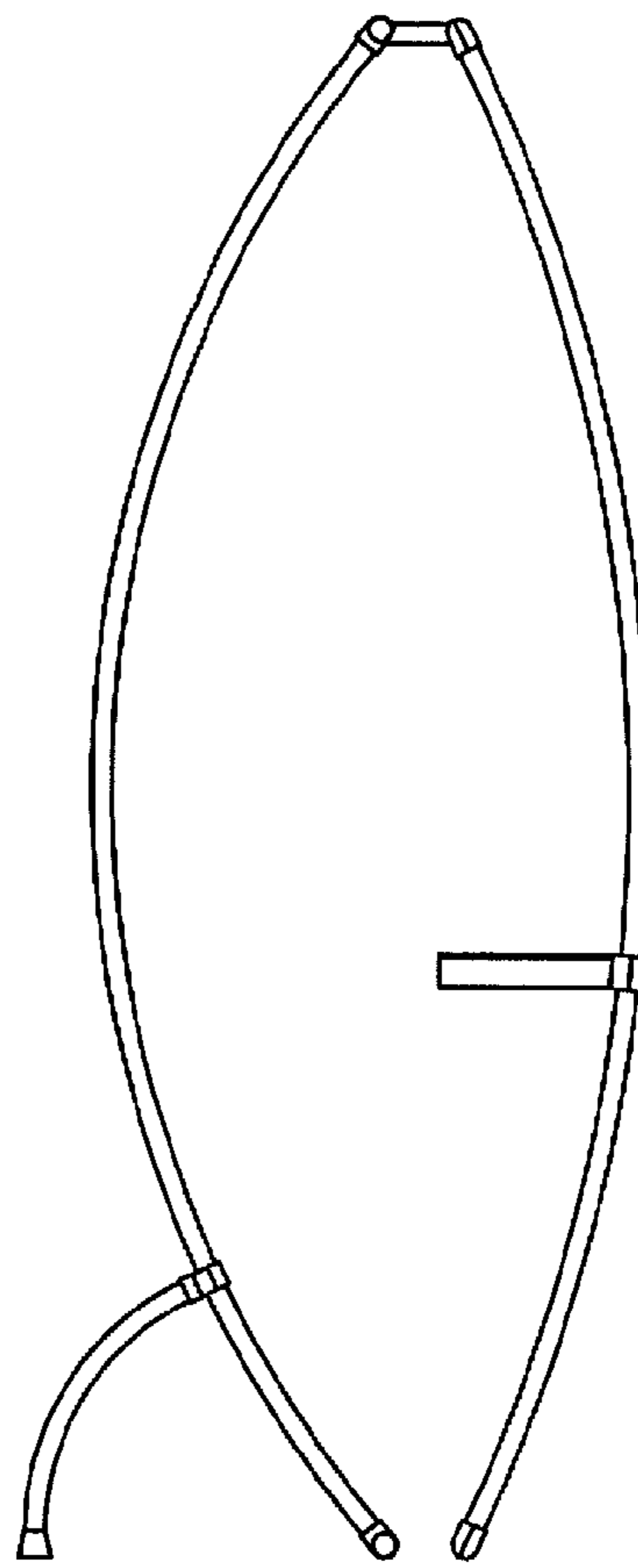


Fig.4

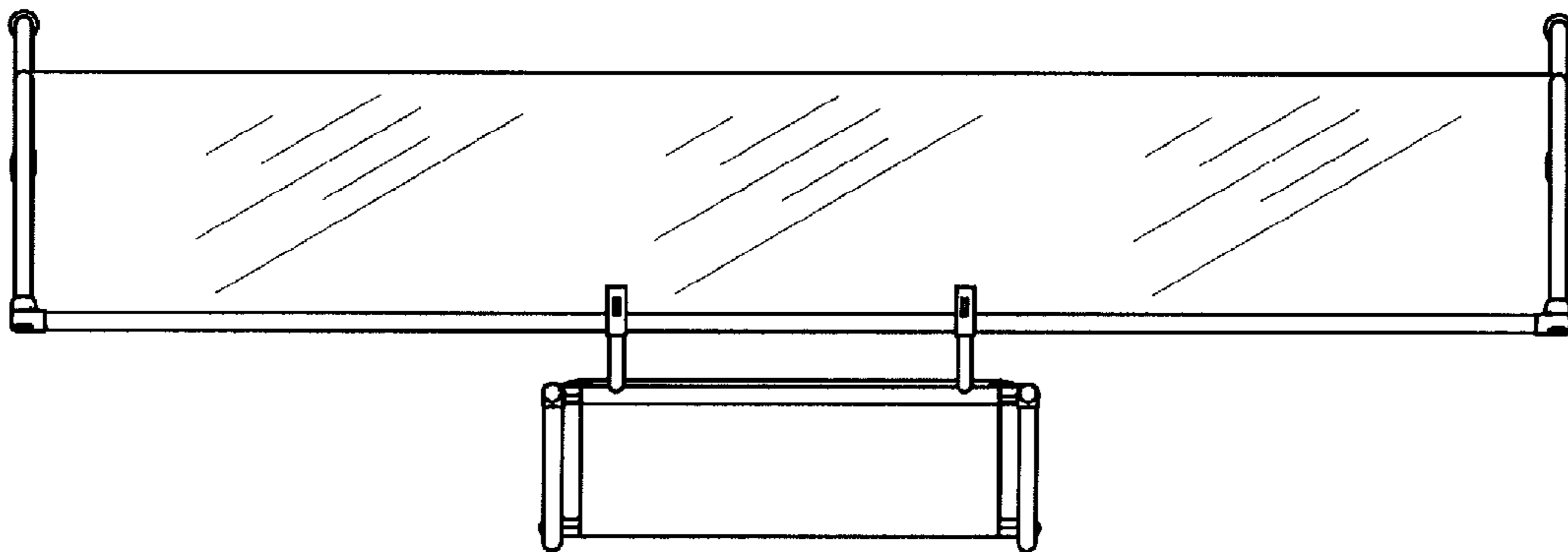


Fig.5