



US00D576681S

(12) **United States Design Patent**  
**Ang**

(10) **Patent No.:** **US D576,681 S**  
(45) **Date of Patent:** **\*\* Sep. 9, 2008**

(54) **PAPER FASTENER PRONG COVER**

(76) Inventor: **Manuel Ang**, 52 Via Cancion, San Clemente, CA (US) 92673

(\*\*) Term: **14 Years**

(21) Appl. No.: **29/286,225**

(22) Filed: **Apr. 26, 2007**

(51) **LOC (8) Cl.** ..... **19-02**

(52) **U.S. Cl.** ..... **D19/65**

(58) **Field of Classification Search** ..... D19/65,  
D19/86, 78, 88; D28/40, 92; D11/78.1;  
D8/395; D18/34.2; 24/326, 552, 504; 248/302;  
132/276; 402/8, 62, 61, 17, 15  
See application file for complete search history.

(56) **References Cited**

U.S. PATENT DOCUMENTS

2,468,072	A	4/1949	Innacelli	
3,181,218	A	5/1965	Wagner et al.	
3,994,606	A	11/1976	Messmer	
4,121,892	A	10/1978	Nes	
4,305,675	A	12/1981	Jacinto	
D303,811	S *	10/1989	de Witt	D19/65
4,979,841	A *	12/1990	Lauder	402/15
5,096,323	A	3/1992	Walker	
5,338,126	A *	8/1994	Mullin et al.	402/64
6,217,246	B1	4/2001	Yu	
D459,395	S *	6/2002	Noguchi	D19/65
D460,476	S *	7/2002	Mori et al.	D18/34.2
6,565,277	B1 *	5/2003	Huang	402/8
D475,748	S *	6/2003	Shamoon	D19/88
6,739,783	B2 *	5/2004	Higashino et al.	402/60
D497,186	S *	10/2004	Cetera	D19/88

\* cited by examiner

*Primary Examiner*—Cathron C. Brooks

*Assistant Examiner*—Austin Murphy

(74) *Attorney, Agent, or Firm*—Kirk A. Buhler; Buhler & Associates

(57) **CLAIM**

The ornamental design for a paper fastener prong cover invention, as shown and described.

**DESCRIPTION**

FIG. 1 is a top perspective view of a preferred embodiment shown in a closed orientation.

FIG. 2 is a top perspective view of a preferred embodiment shown in an open orientation.

FIG. 3 is a top view of the preferred embodiment shown in an open orientation.

FIG. 4 is a bottom view of the preferred embodiment shown in an open orientation.

FIG. 5 is a right side view of the preferred embodiment where the left view is a mirror image of this figure shown in an open orientation.

FIG. 6 is a front view of a preferred embodiment shown in an open orientation.

FIG. 7 is a back view of a preferred embodiment shown in an open orientation.

FIG. 8 is a top view of the preferred embodiment shown in a closed orientation.

FIG. 9 is a bottom view of the preferred embodiment shown in a closed orientation.

FIG. 10 is a right side view of the preferred embodiment where the left view is a mirror image of this figure shown in a closed orientation.

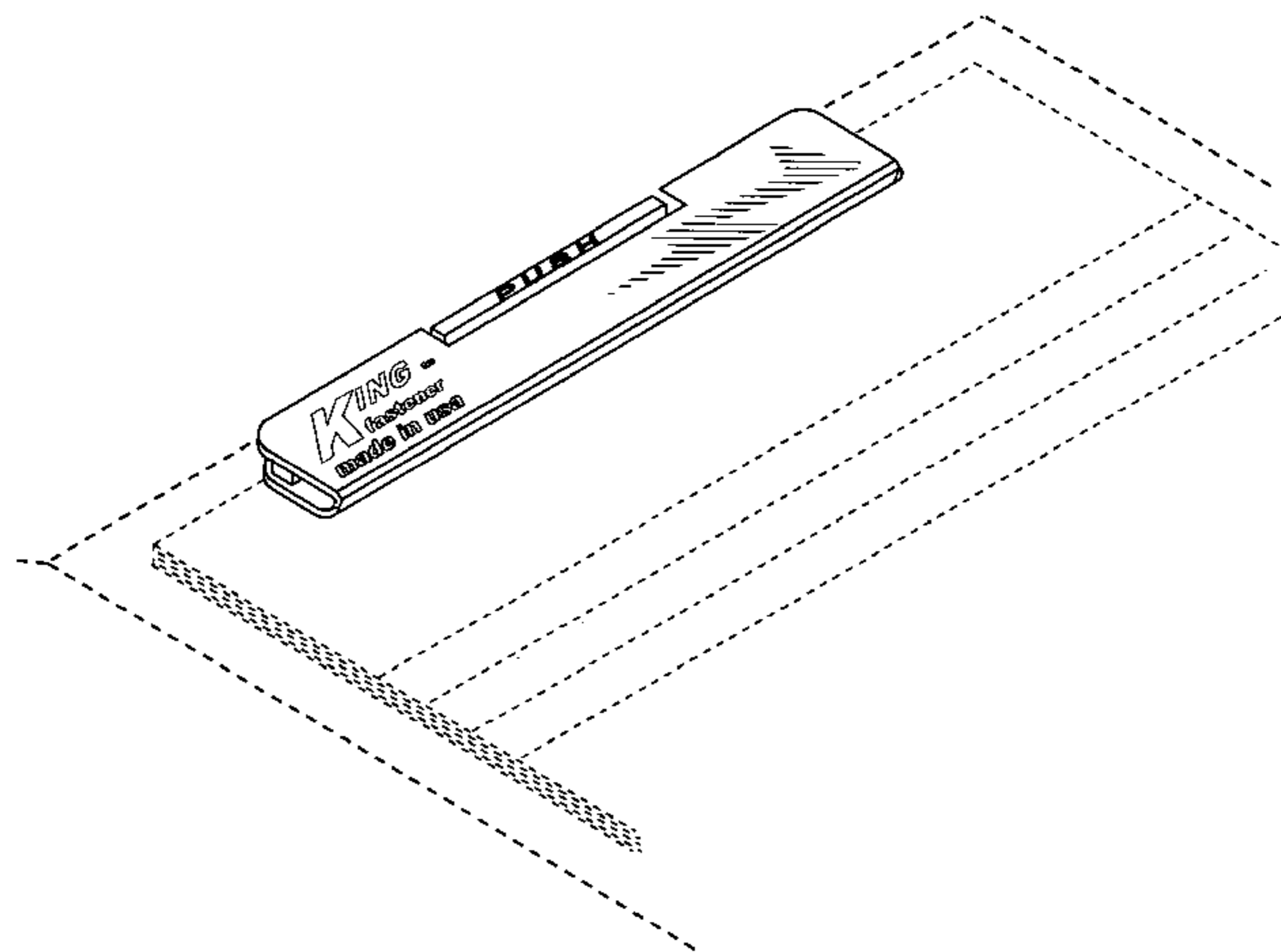
FIG. 11 is a front view of a preferred embodiment shown in a closed orientation; and,

FIG. 12 is a back view of a preferred embodiment shown in a closed orientation.

The King Fastener trademark forming part of the claimed design is a trademark of Manuel Ang that has not yet been registered.

The broken lines in FIGS. 1 and 2 represent paper and the paper fastener prongs and are not part of the claimed design and are being shown for the convenience of illustration.

**1 Claim, 4 Drawing Sheets**



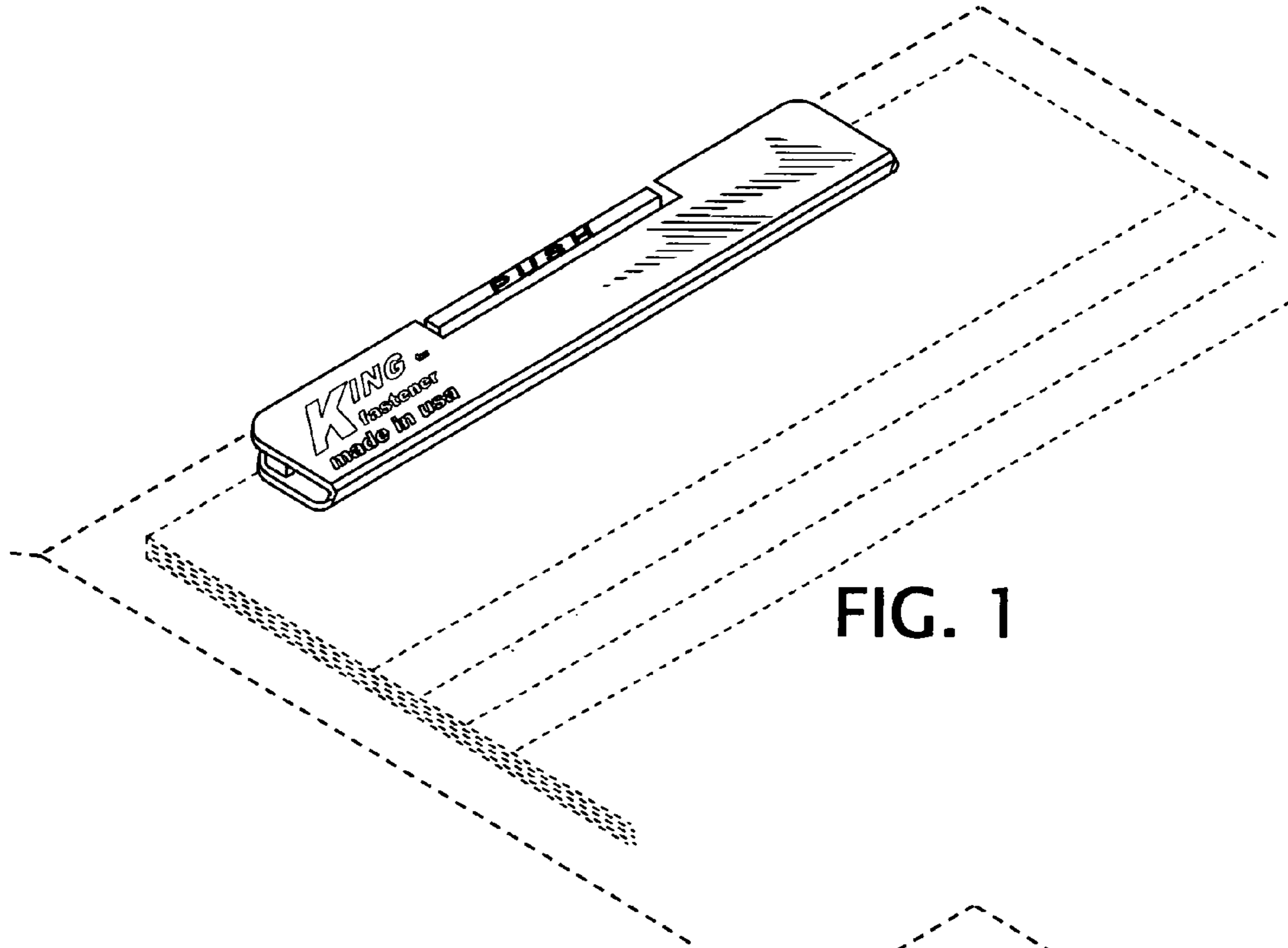


FIG. 1

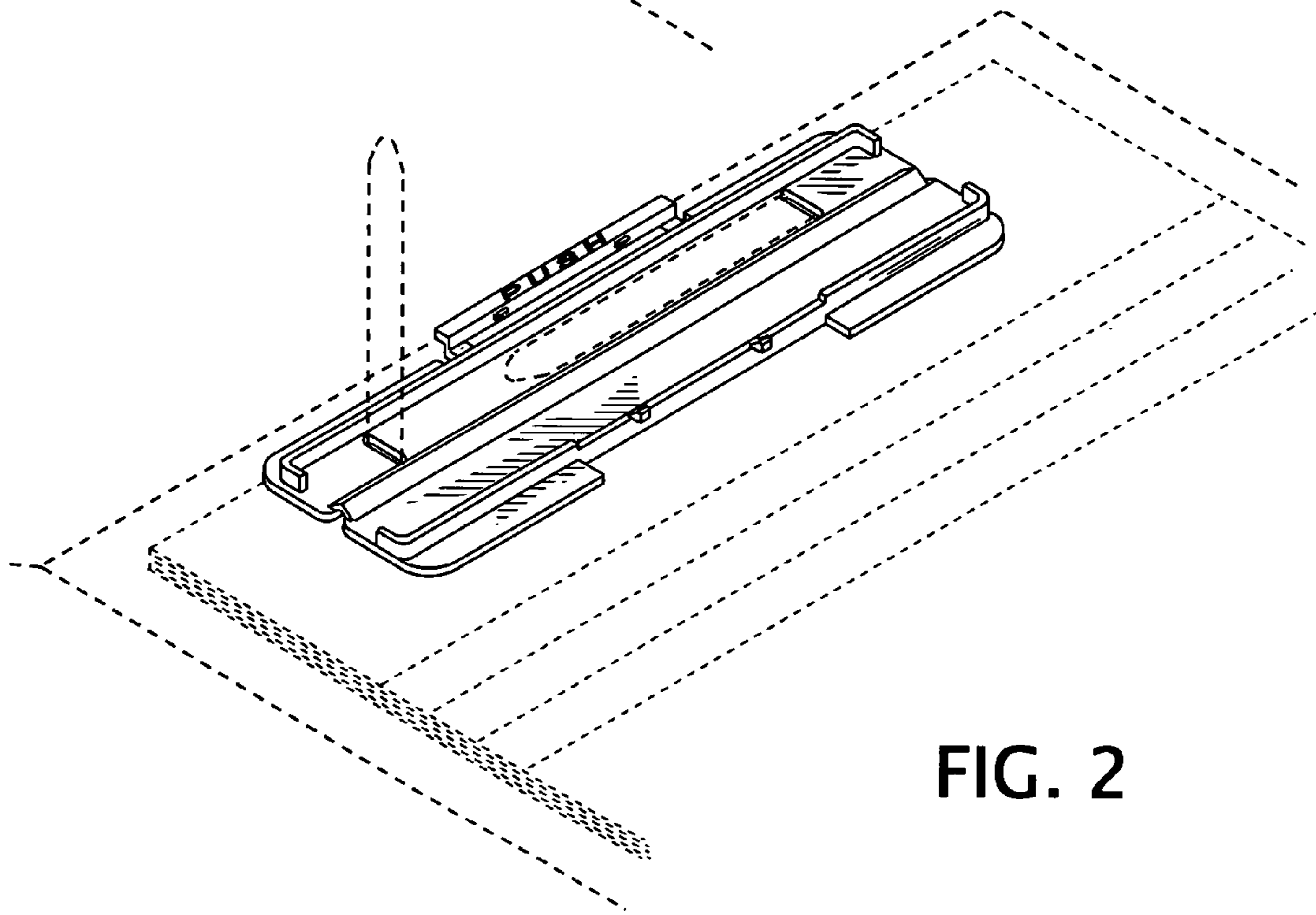


FIG. 2

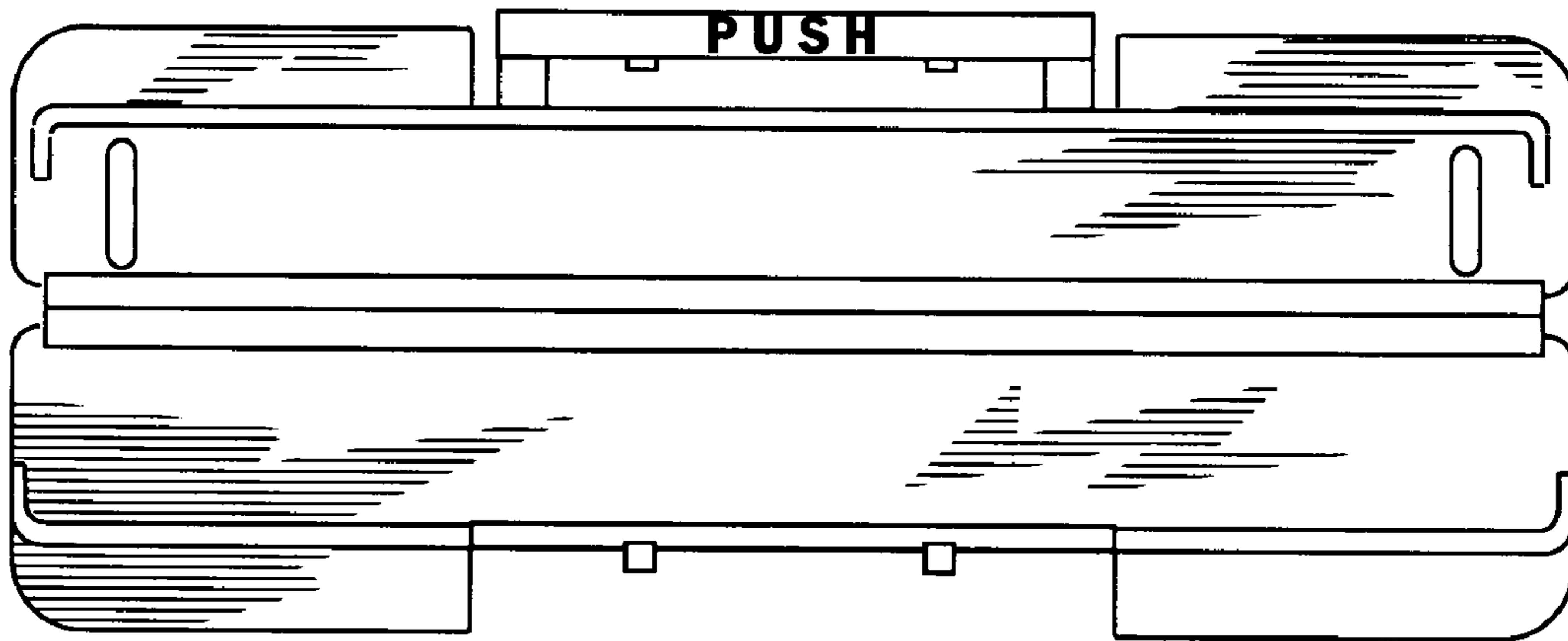


FIG. 3

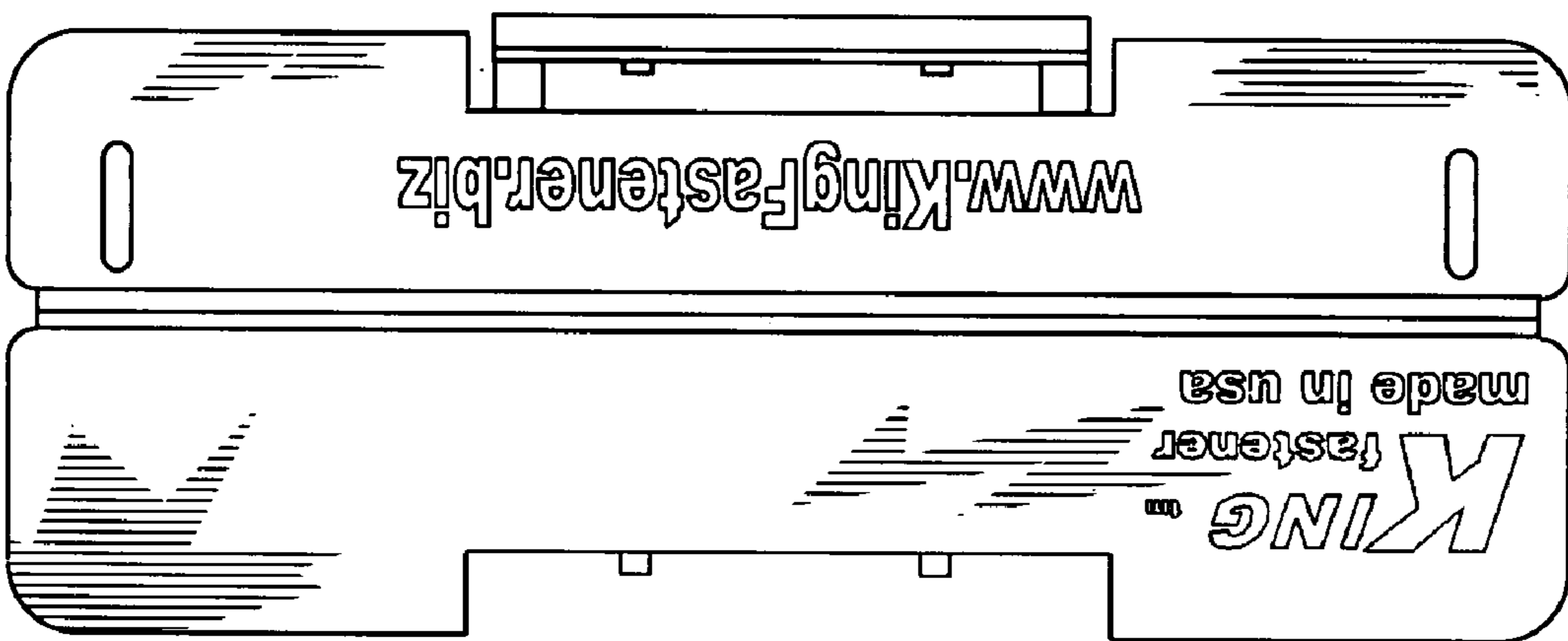


FIG. 4



FIG. 5

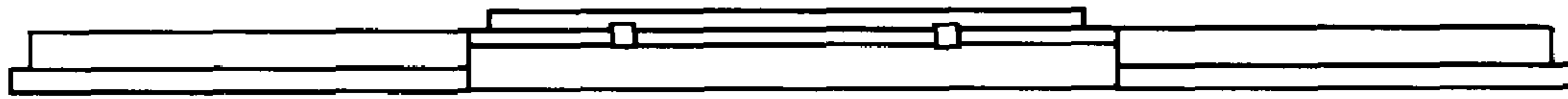


FIG. 6



FIG. 7

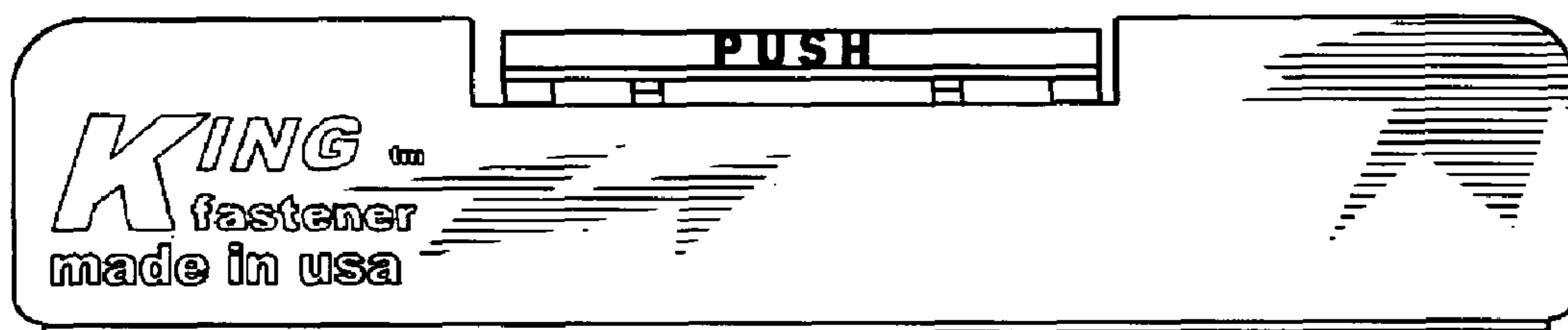


FIG. 8

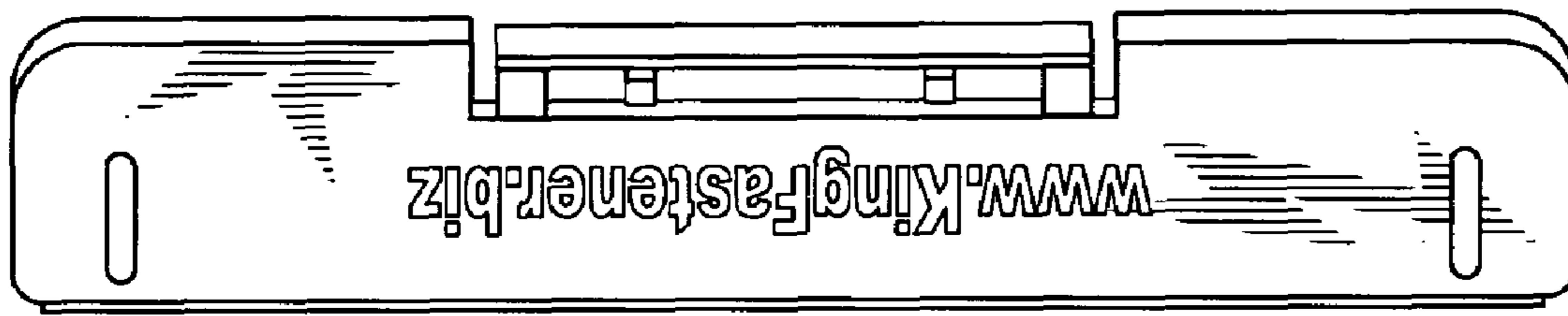


FIG. 9



FIG. 10

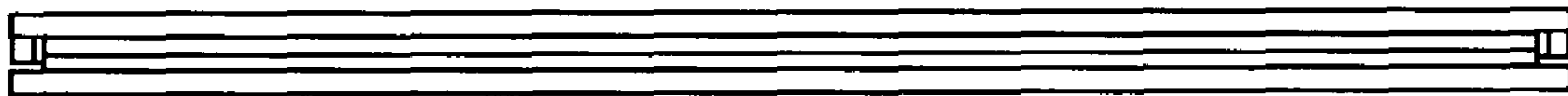


FIG. 11

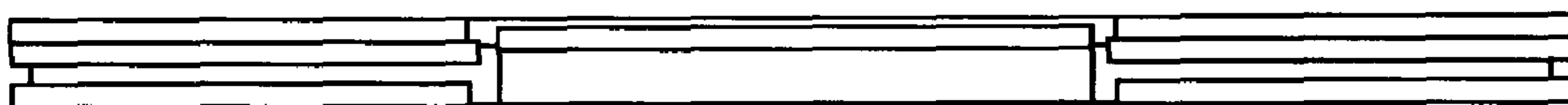


FIG. 12